



US00D874062S

(12) **United States Design Patent** (10) **Patent No.:** **US D874,062 S**
McGarry et al. (45) **Date of Patent:** **** Jan. 28, 2020**

(54) **RAZOR COVER**
(71) Applicant: **The Gillette Company LLC**, Boston, MA (US)
(72) Inventors: **Rory Frederick Wellington McGarry**, Boston, MA (US); **Jonathon Albert Riehle**, Brighton, MA (US); **Andrew Anthony Szczepanowski**, North Attleboro, MA (US)
(73) Assignee: **The Gillette Company LLC**, Boston, MA (US)
(**) Term: **15 Years**

3,277,571 A 10/1966 Bloomfield
3,290,778 A 12/1966 Hickerson
3,346,952 A 10/1967 Boosalis
3,388,468 A 6/1968 Hamill
3,394,456 A 7/1968 Gatz
(Continued)

FOREIGN PATENT DOCUMENTS

EP 854020 B1 7/1998
WO 201003510 A2 1/2010

Primary Examiner — Jennifer Rivard
(74) *Attorney, Agent, or Firm* — John M. Lipchitz

(21) Appl. No.: **29/665,715**
(22) Filed: **Oct. 5, 2018**
(51) **LOC (12) Cl.** **28-03**
(52) **U.S. Cl.**
USPC **D28/47; D3/205**
(58) **Field of Classification Search**
USPC D28/46-48, 49-51; D3/205
CPC ... B26B 21/00; B26B 21/08; B26B 21/14-38;
B26B 21/40; B26B 21/4006; B26B 21/4012-4031; B26B 21/4037; B26B 21/405-4056; B26B 21/4062; B26B 21/4068-4075; B26B 21/48; B26B 21/52-528
See application file for complete search history.

(57) **CLAIM**

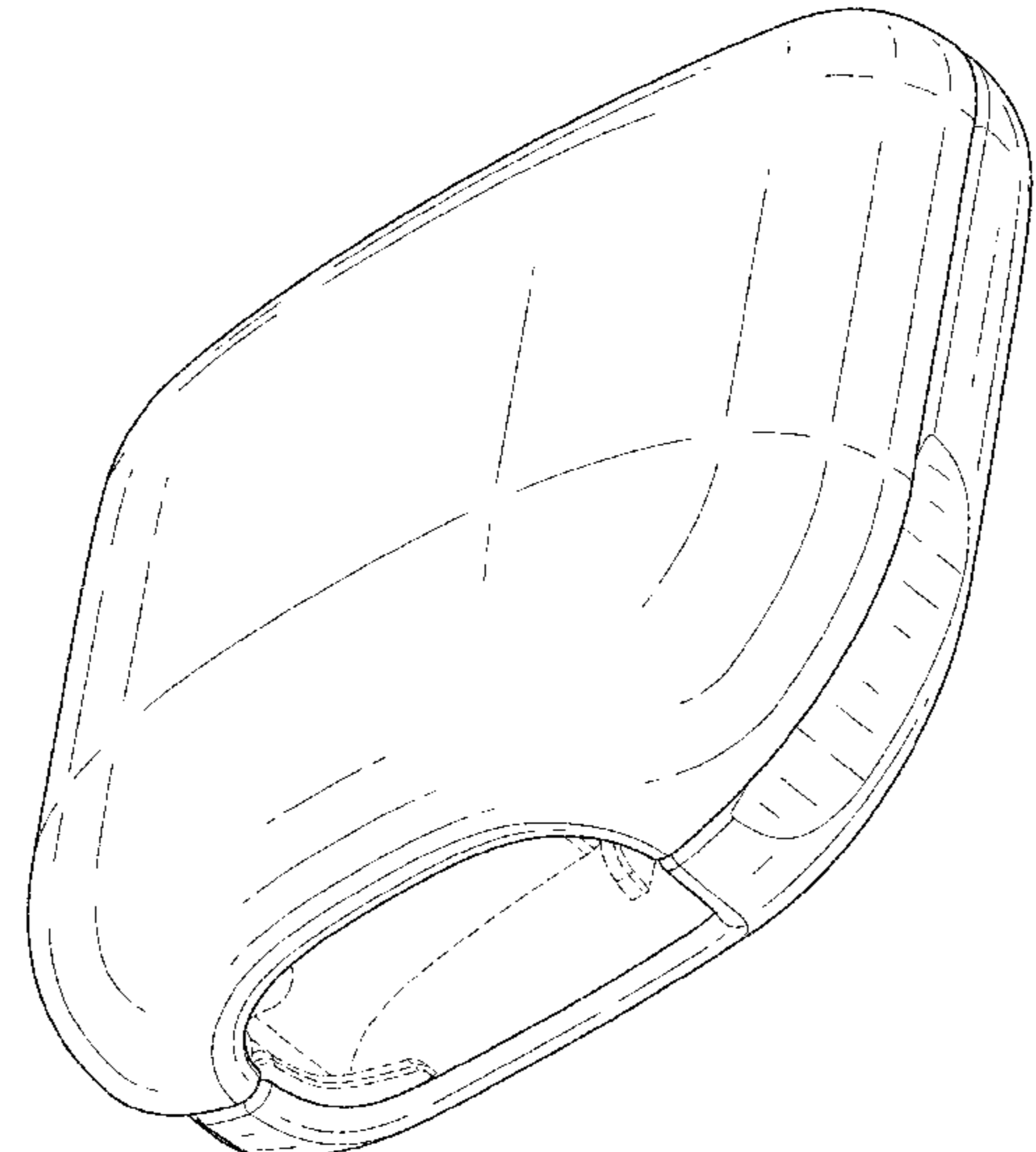
The ornamental design for a razor cover, as shown and described.

DESCRIPTION

FIG. 1 is a first perspective view of a first embodiment of a razor cover of the present invention in an open position; FIG. 2 is a front view thereof; FIG. 3 is a rear view thereof; FIG. 4 is a right side view thereof; FIG. 5 is a left side view thereof; FIG. 6 is a top view thereof; FIG. 7 is a bottom view thereof; FIG. 8 is a second perspective view thereof; FIG. 9 is a first perspective view of a second embodiment of a razor cover of the present invention in a closed position; FIG. 10 is a front view thereof; FIG. 11 is a rear view thereof; FIG. 12 is a right side view thereof; FIG. 13 is a left side view thereof; FIG. 14 is a top view thereof; FIG. 15 is a bottom view thereof; and, FIG. 16 is a second perspective view thereof. The broken lines shown in the drawings illustrate portions of the razor cover and form no part of the claimed design.

(56) **References Cited**
U.S. PATENT DOCUMENTS
344,115 A 6/1886 Kampfe
1,234,834 A 7/1917 Warren
1,979,123 A 10/1934 Taylor, Jr.
2,017,741 A 10/1935 Wallenthin
2,070,430 A 2/1937 Wallenthin
2,294,284 A 8/1942 Chu
2,310,849 A 2/1943 Graham
3,025,958 A 3/1962 Snape

1 Claim, 14 Drawing Sheets



(56)

References Cited

U.S. PATENT DOCUMENTS

3,396,466	A	8/1968	Suzuki	
3,408,737	A	11/1968	Steere, Jr. et al.	
3,530,574	A	9/1970	Patterson	
D261,063	S	9/1981	Keck	
D266,606	S	10/1982	Keck	
5,042,658	A	8/1991	Tiramani et al.	
D334,082	S	3/1993	Tiramani et al.	
D534,815	S	1/2007	White	
7,434,684	B1	10/2008	Mabra	
D630,109	S	1/2011	Wonderley	
D638,309	S	5/2011	Wonderley	
D650,944	S *	12/2011	Micinilio	D28/47
D650,945	S *	12/2011	Micinilio	D28/47
8,113,347	B2	2/2012	Kohring et al.	
D700,742	S *	3/2014	Micinilio	D28/47
8,770,398	B1	7/2014	Krok et al.	
D740,692	S	10/2015	Christie et al.	
D744,744	S *	12/2015	Lee	D3/205
9,380,850	B1	7/2016	Krok et al.	
9,581,341	B1	2/2017	Krok et al.	
D782,110	S	3/2017	Coffindaffer et al.	
D786,093	S	5/2017	Christie et al.	
D823,593	S	7/2018	Giannopoulos et al.	
D825,109	S	8/2018	Percassi	
D826,475	S *	8/2018	Denzinger	D28/47
D834,252	S *	11/2018	Denzinger	D28/47
D835,346	S *	12/2018	Faktorovich	D28/47
2009/0056151	A1	3/2009	Kohring et al.	
2011/0225833	A1	9/2011	Hoffman	
2012/0125793	A1	5/2012	Benvenuto	
2013/0264237	A1	10/2013	Ariyanayagam et al.	
2016/0015147	A1	1/2016	Lampard	
2018/0079581	A1	3/2018	Marquette	
2018/0170651	A1	6/2018	Marquette	

* cited by examiner

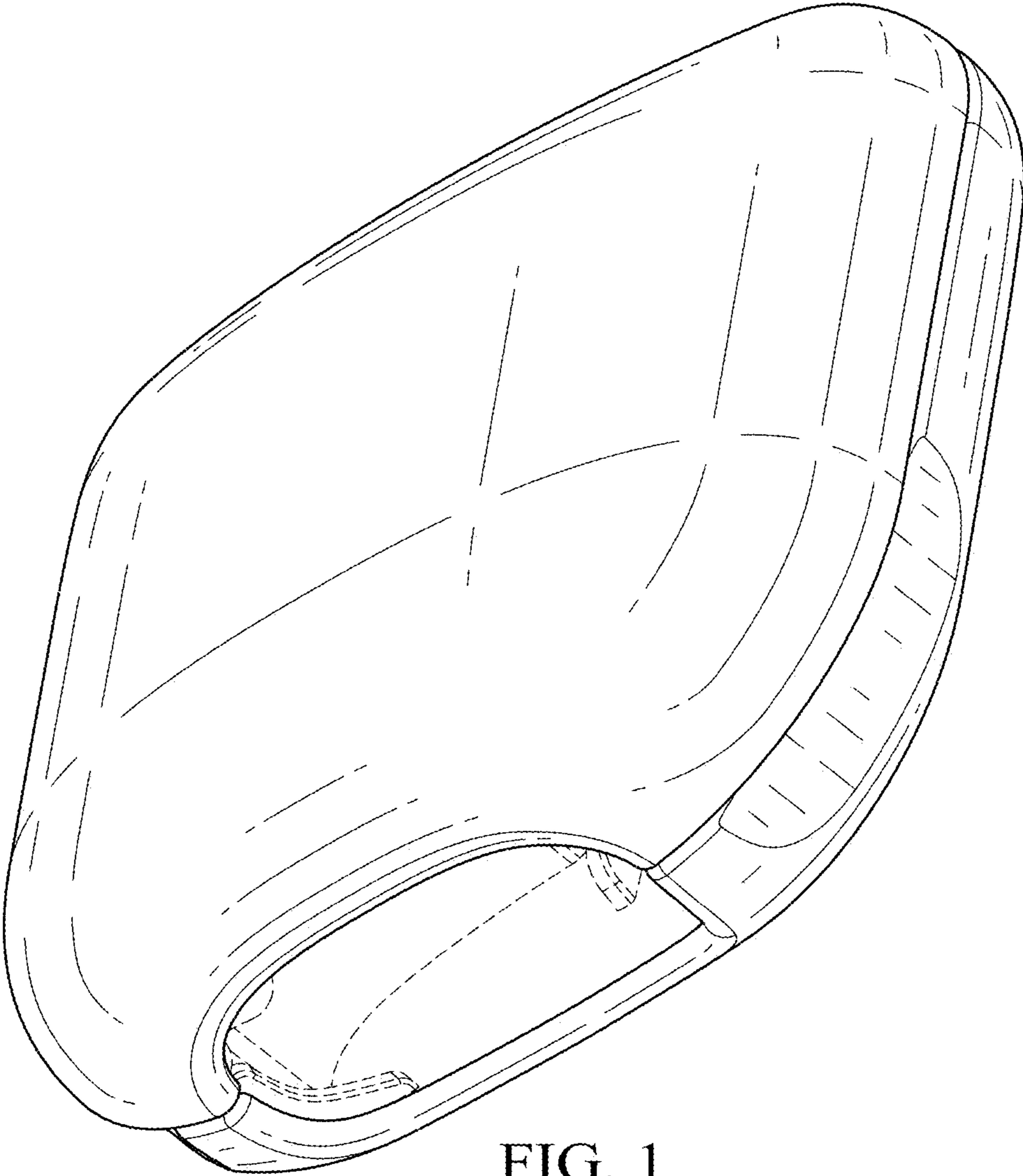


FIG. 1

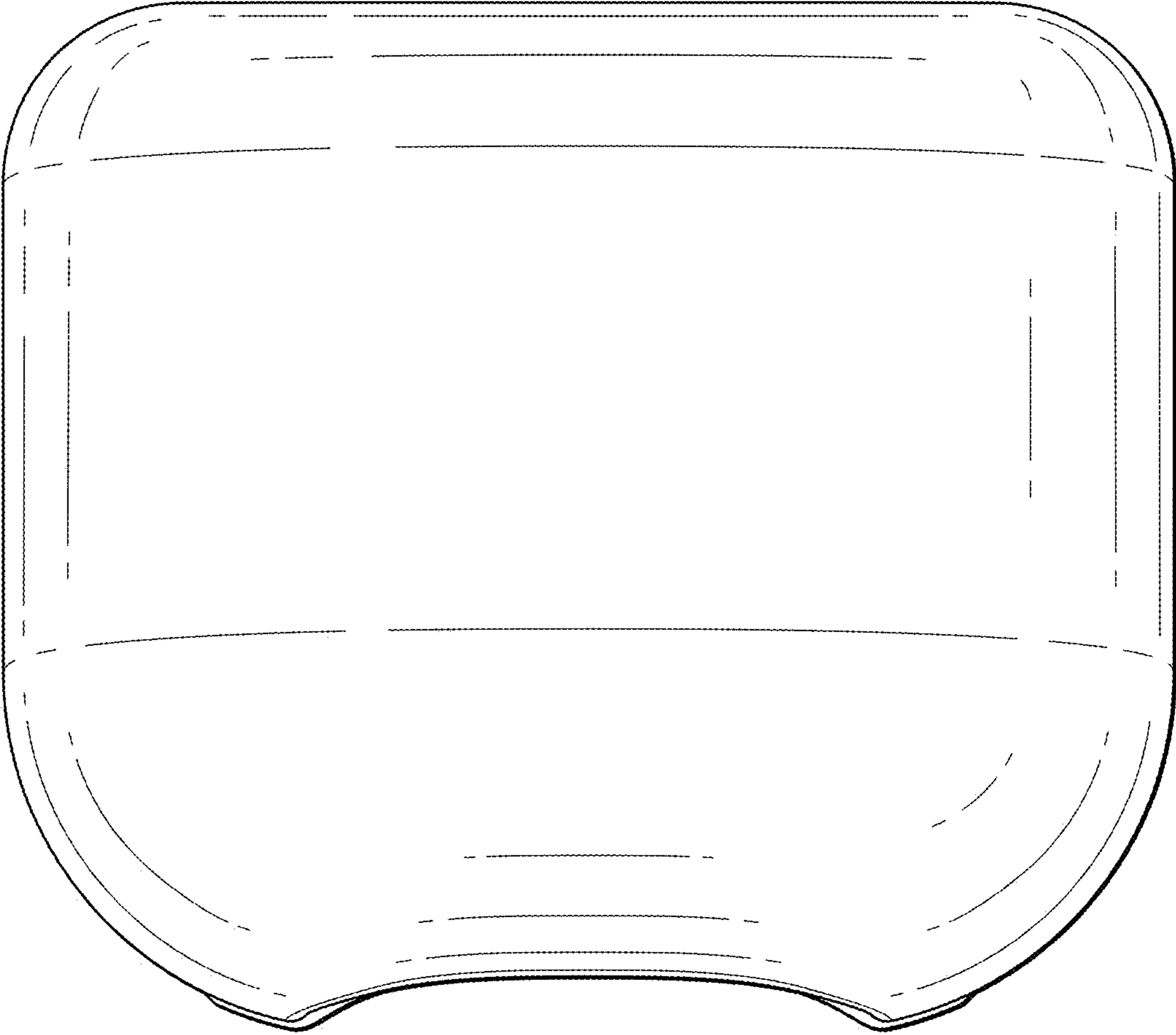


FIG. 2

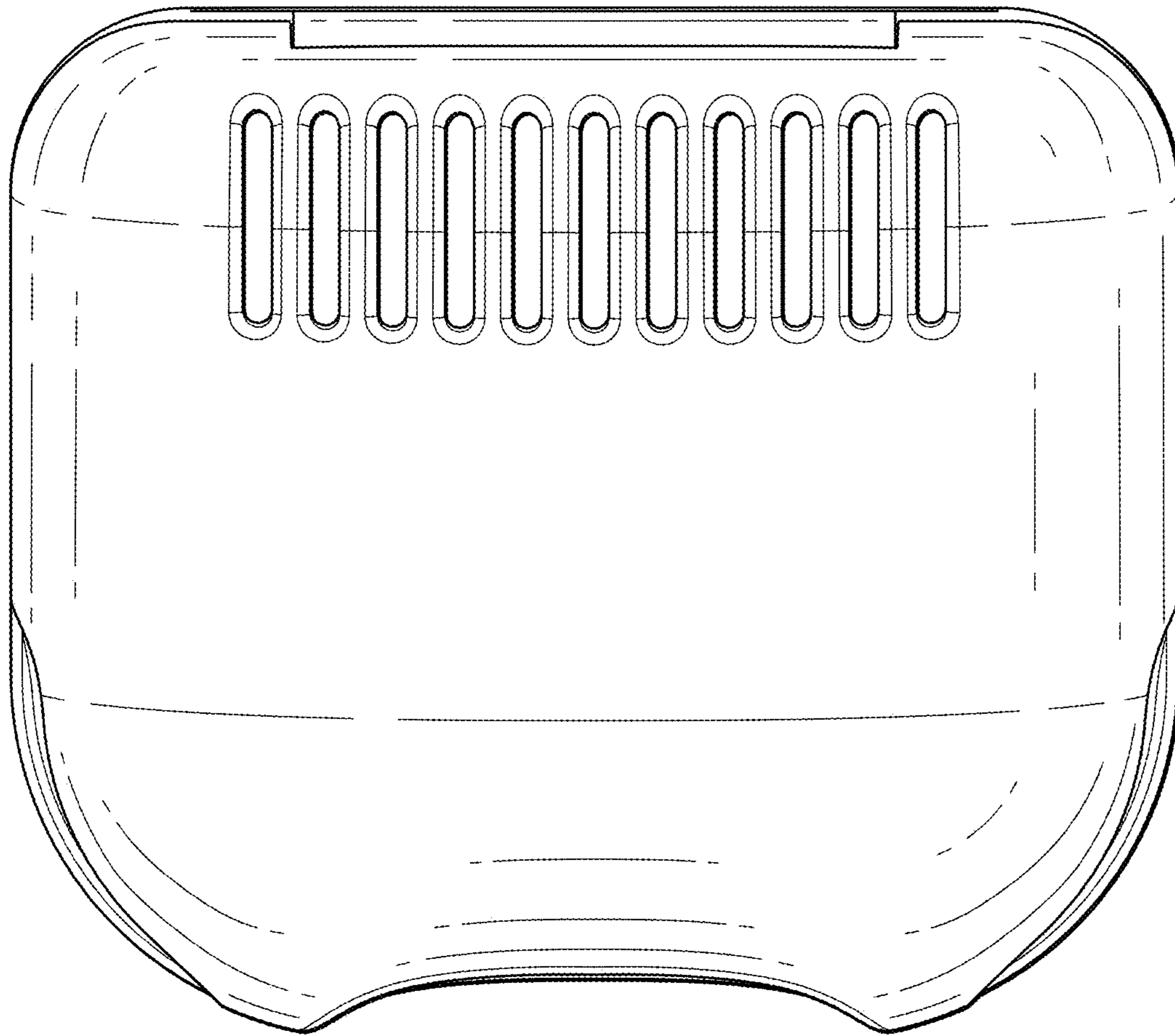


FIG. 3

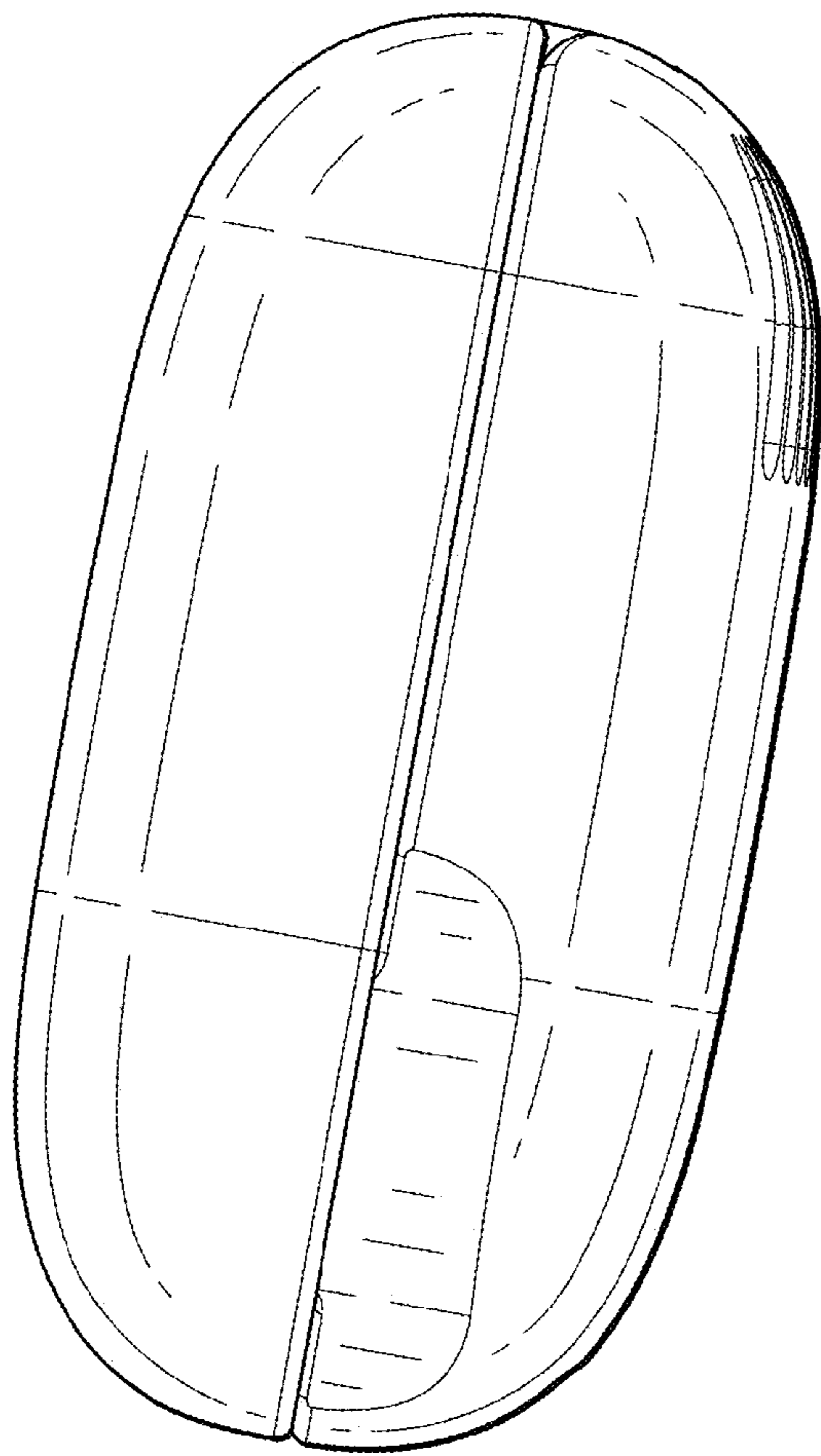


FIG. 4

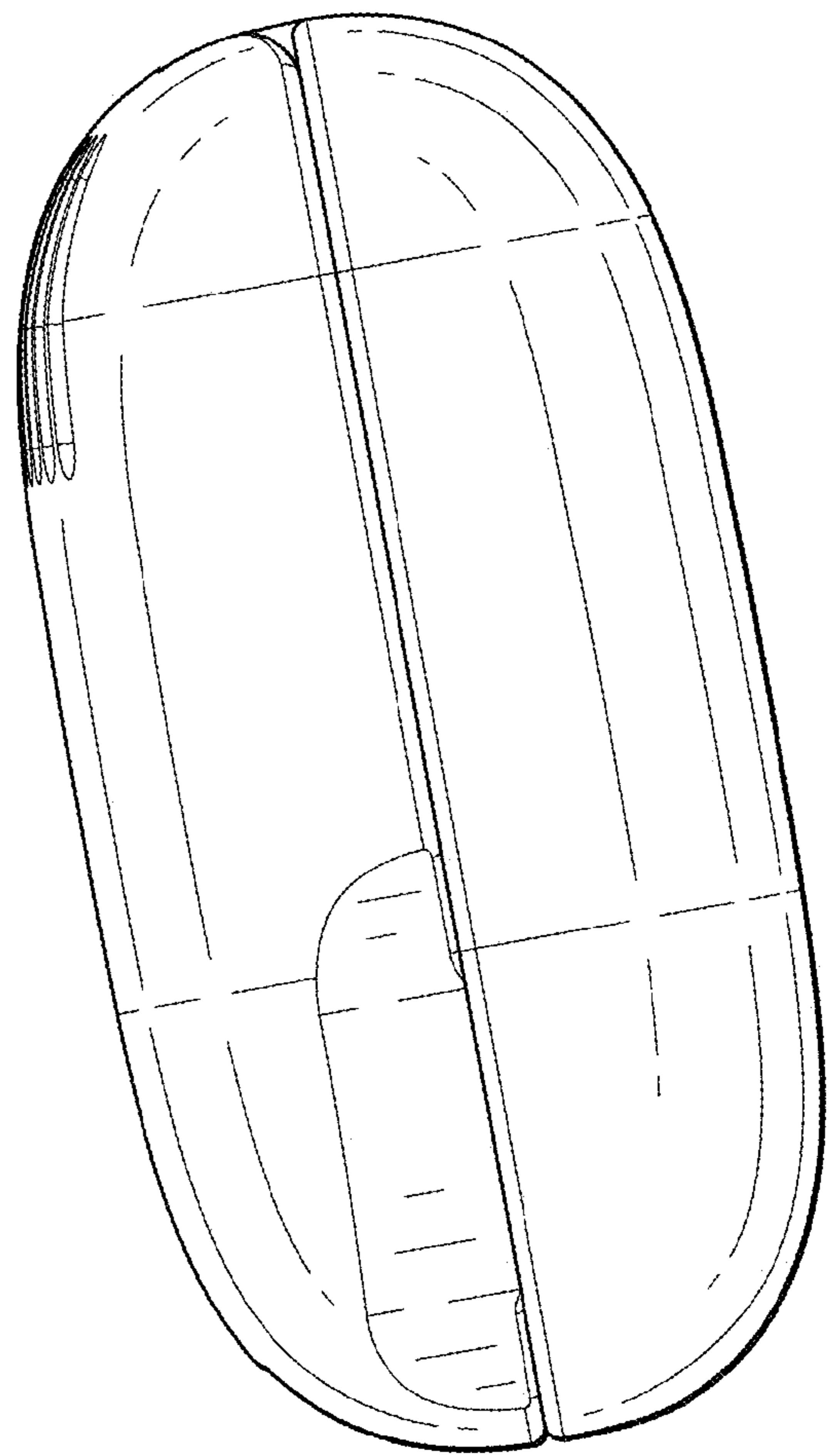


FIG. 5

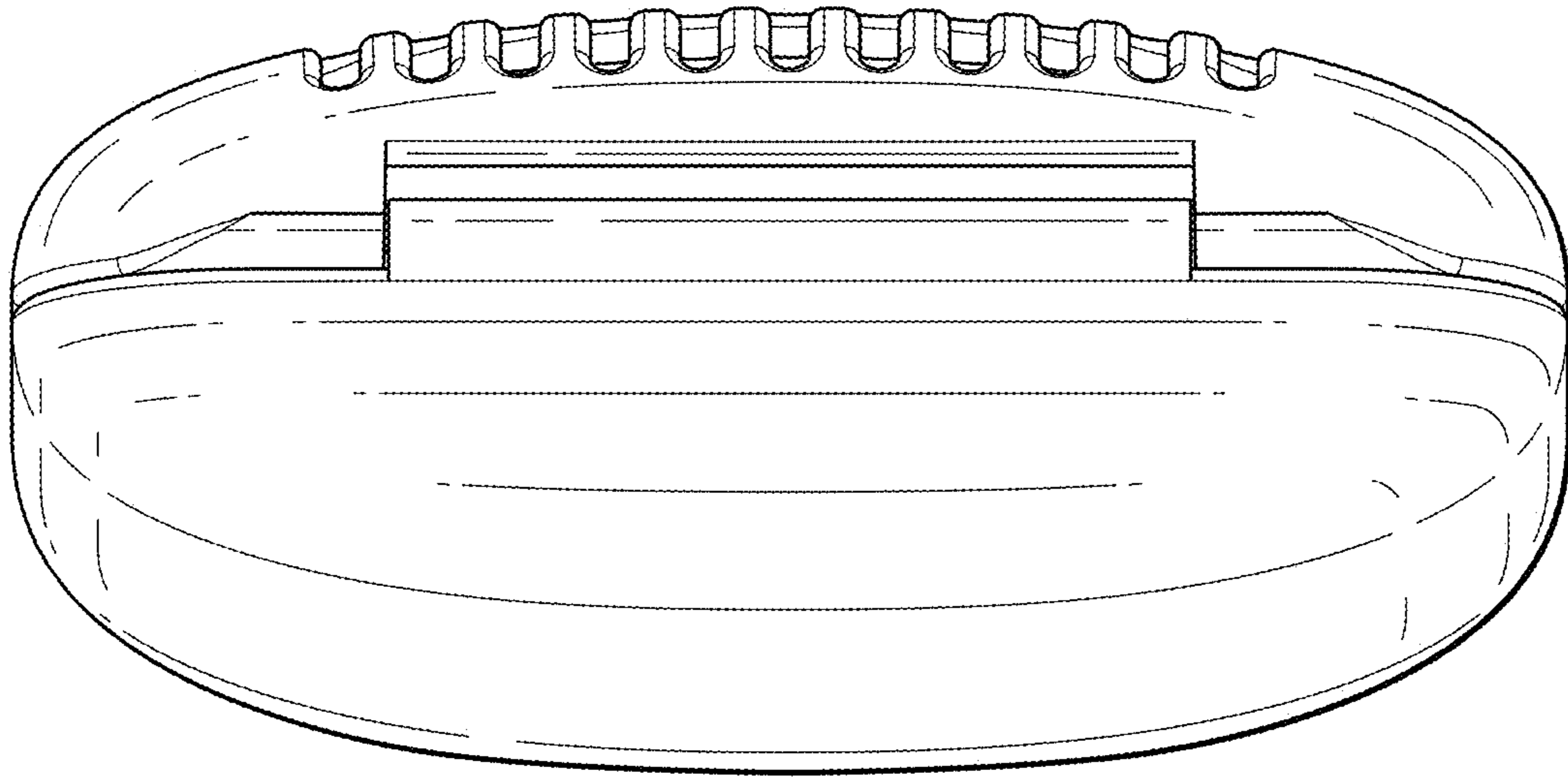


FIG. 6

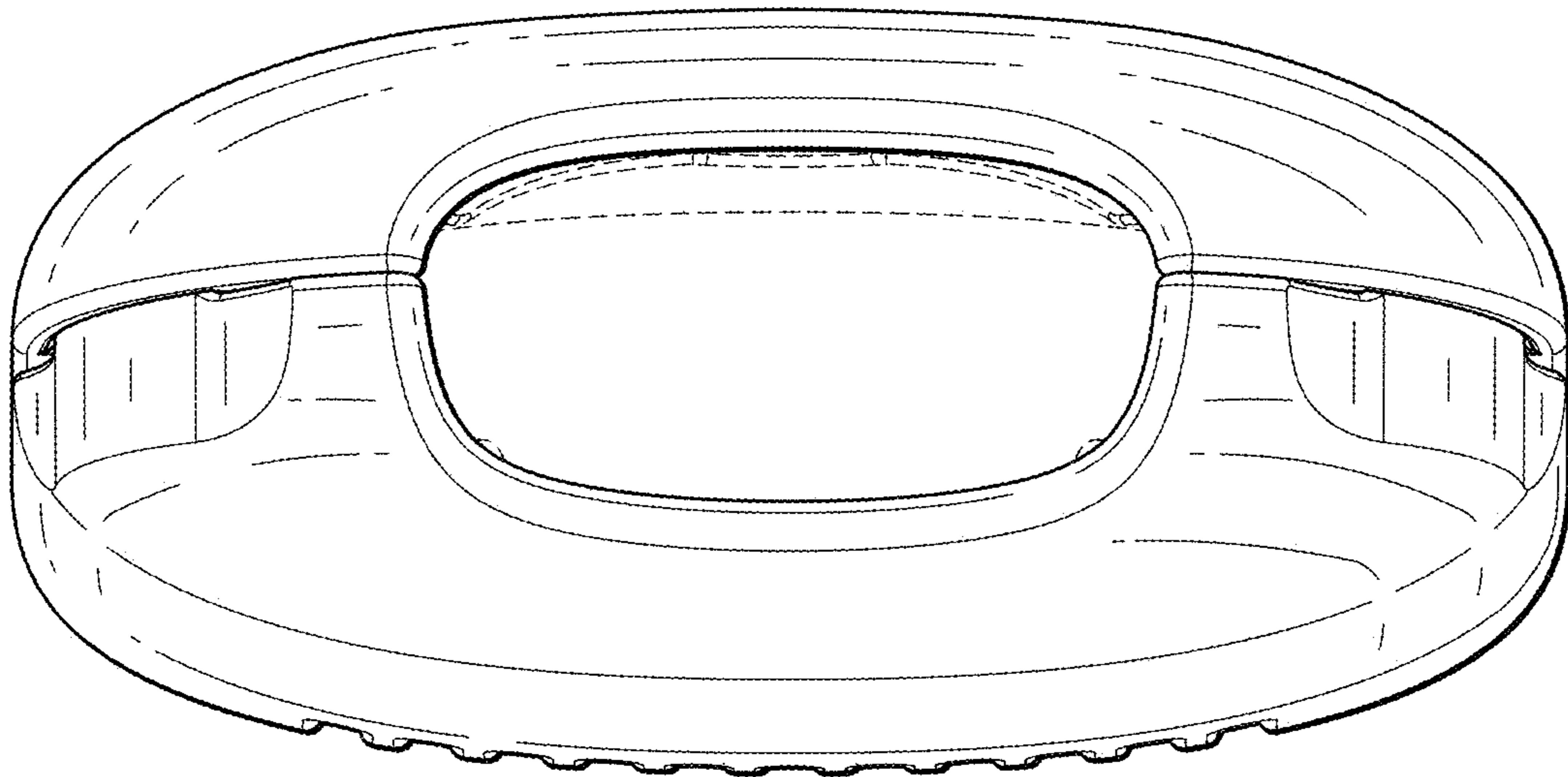


FIG. 7

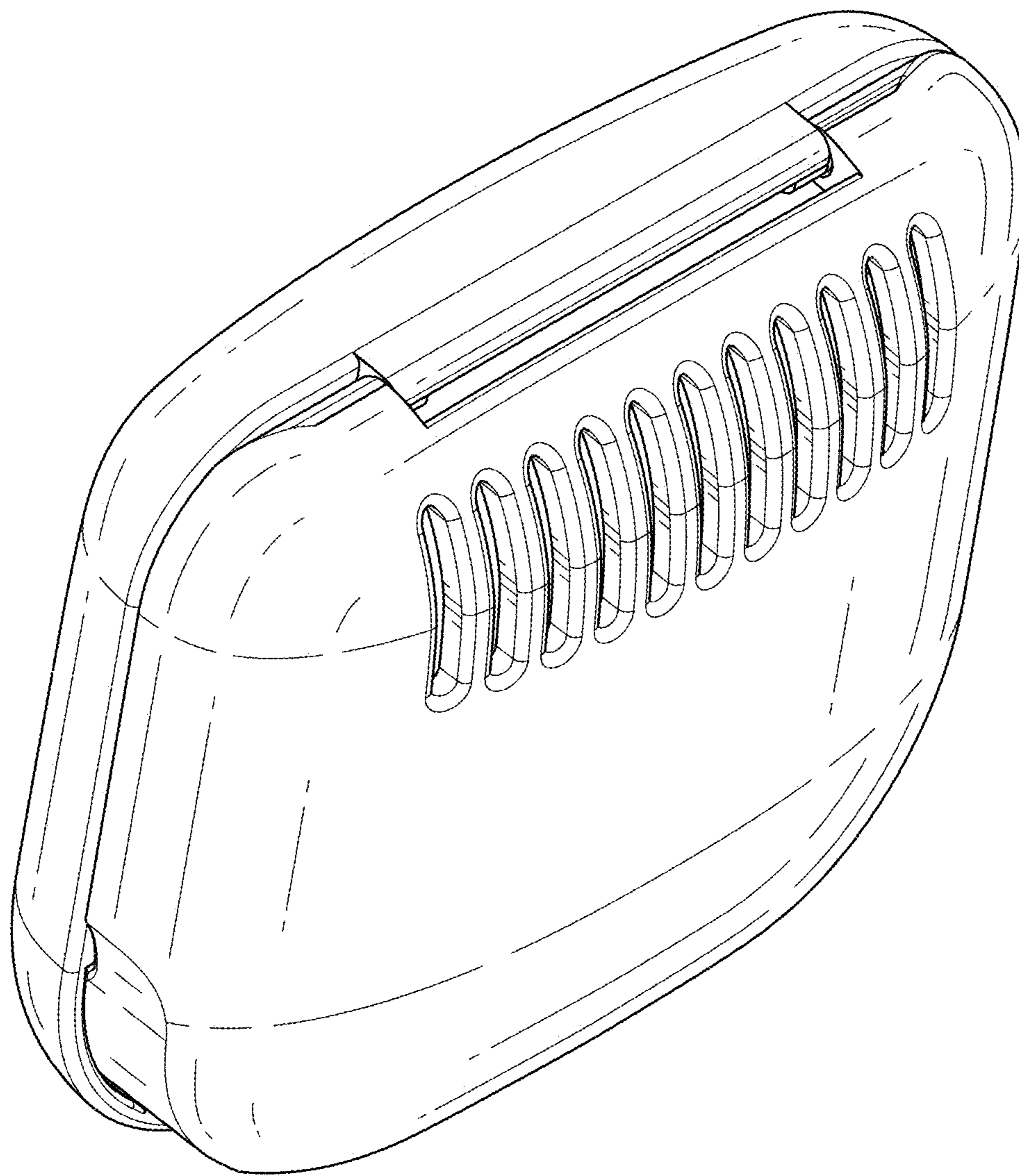


FIG. 8

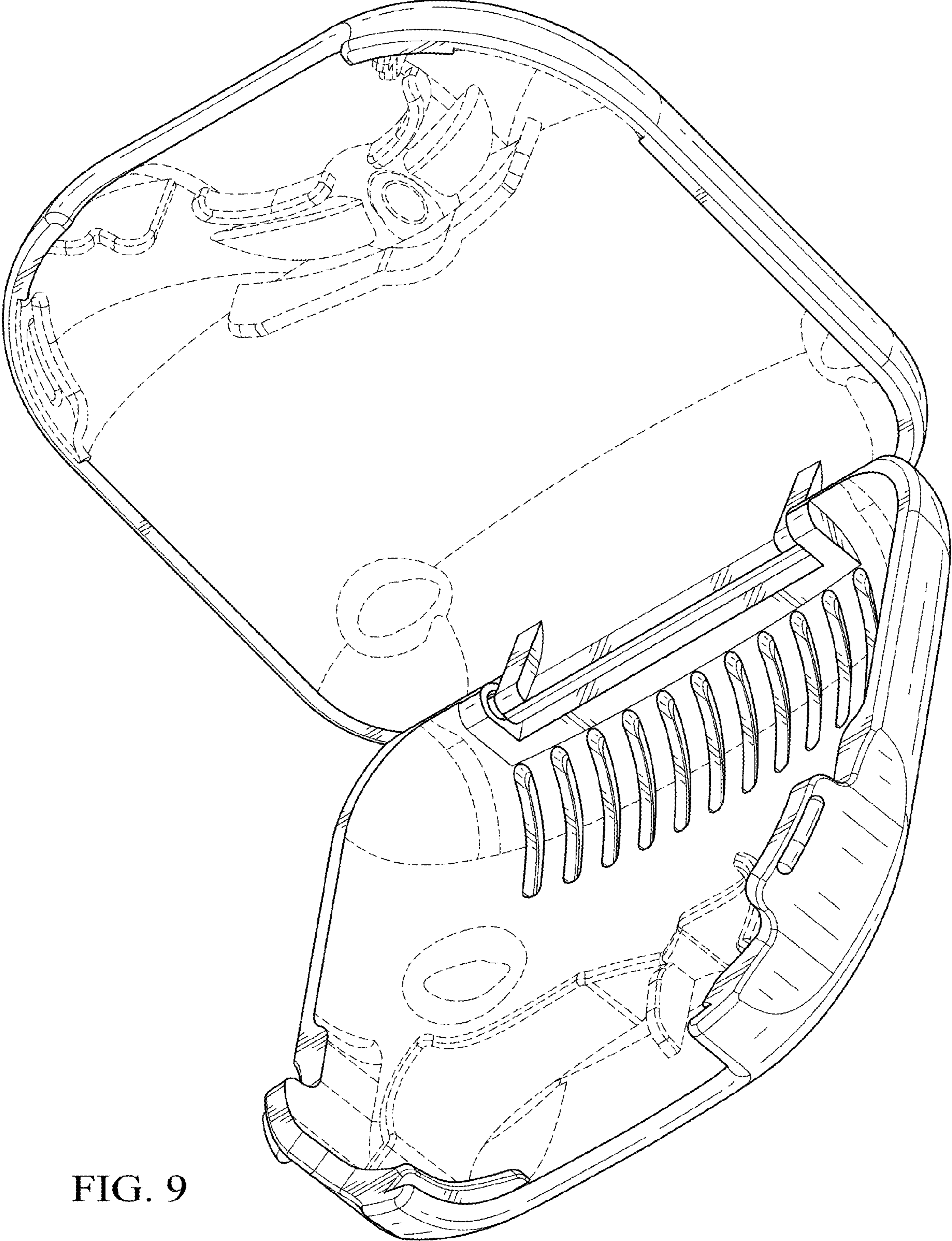


FIG. 9

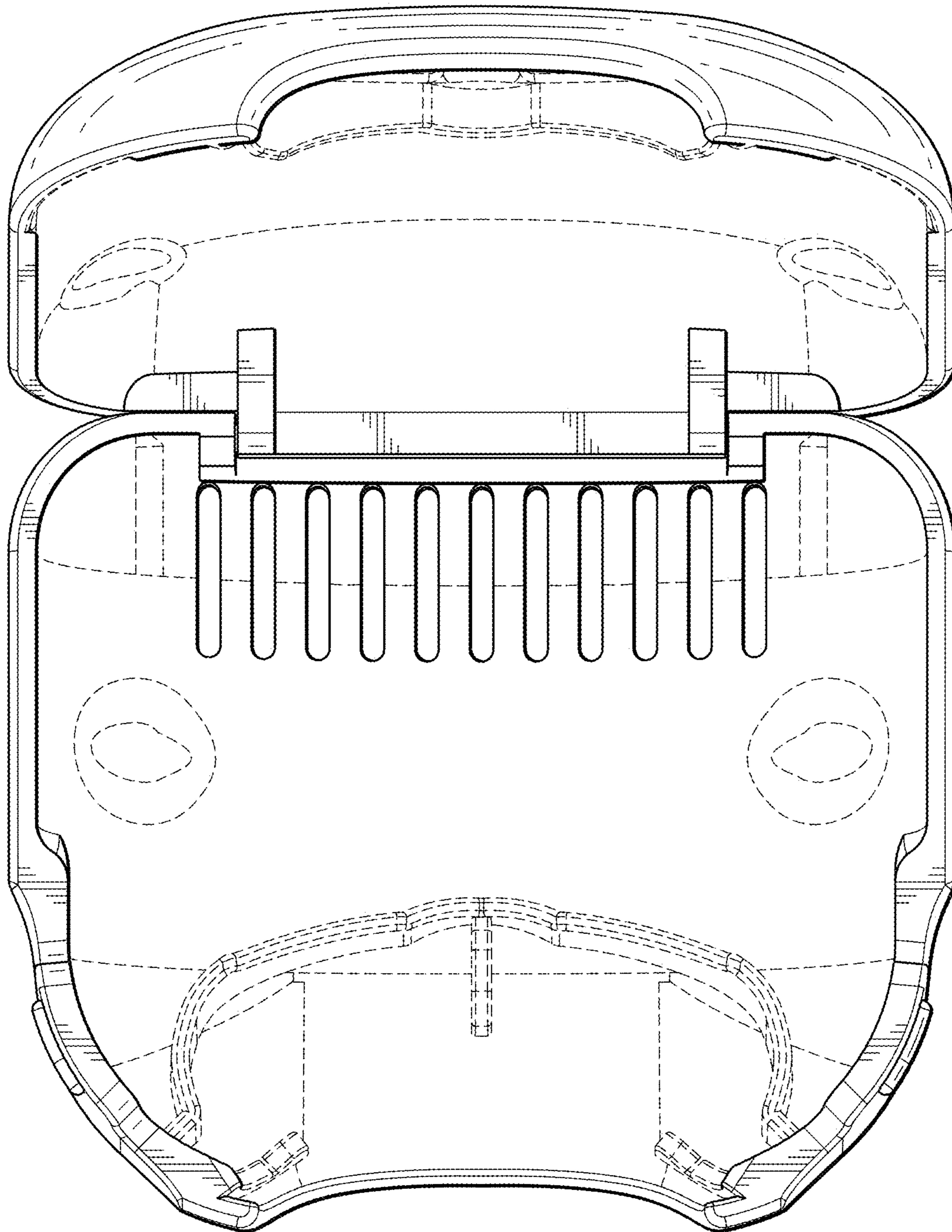


FIG. 10

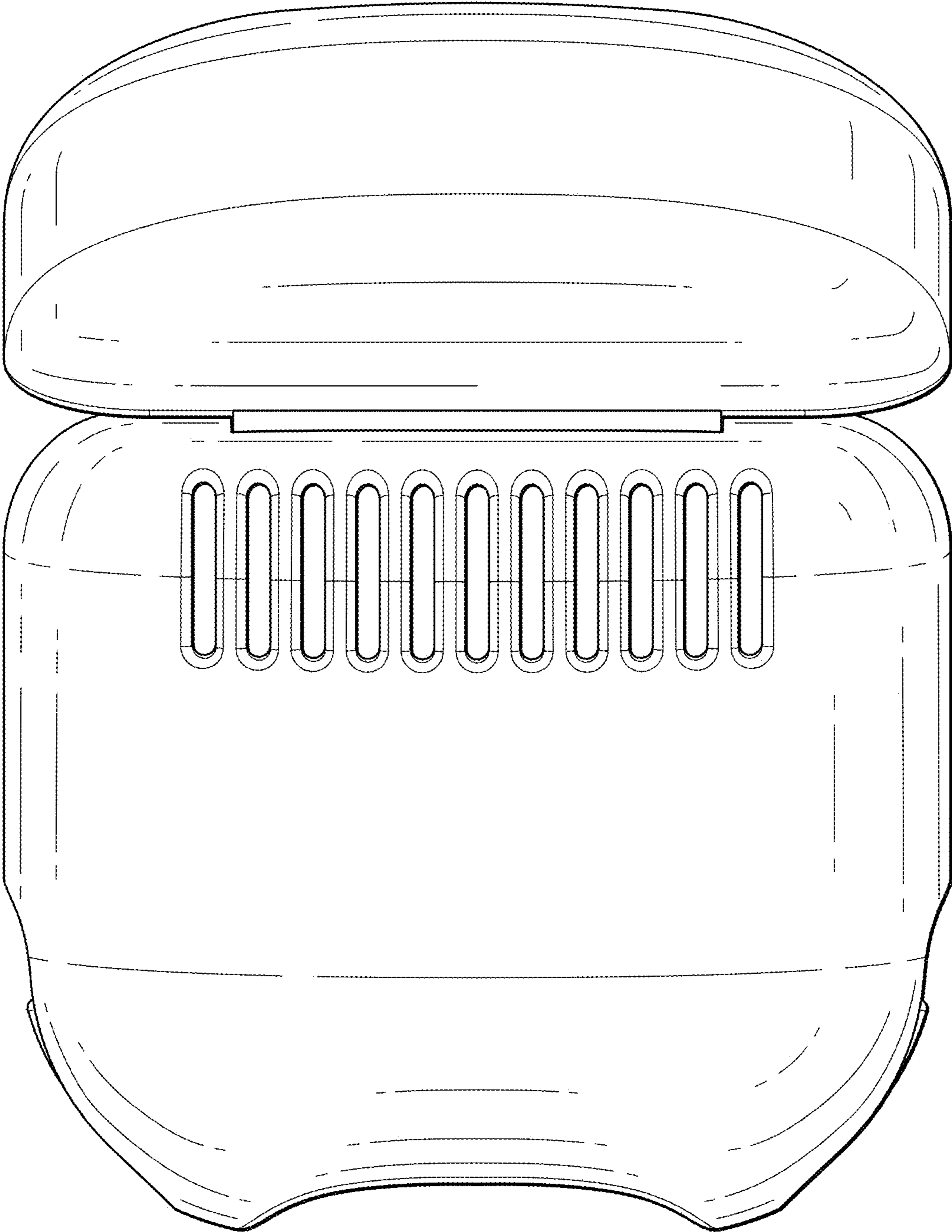


FIG. 11

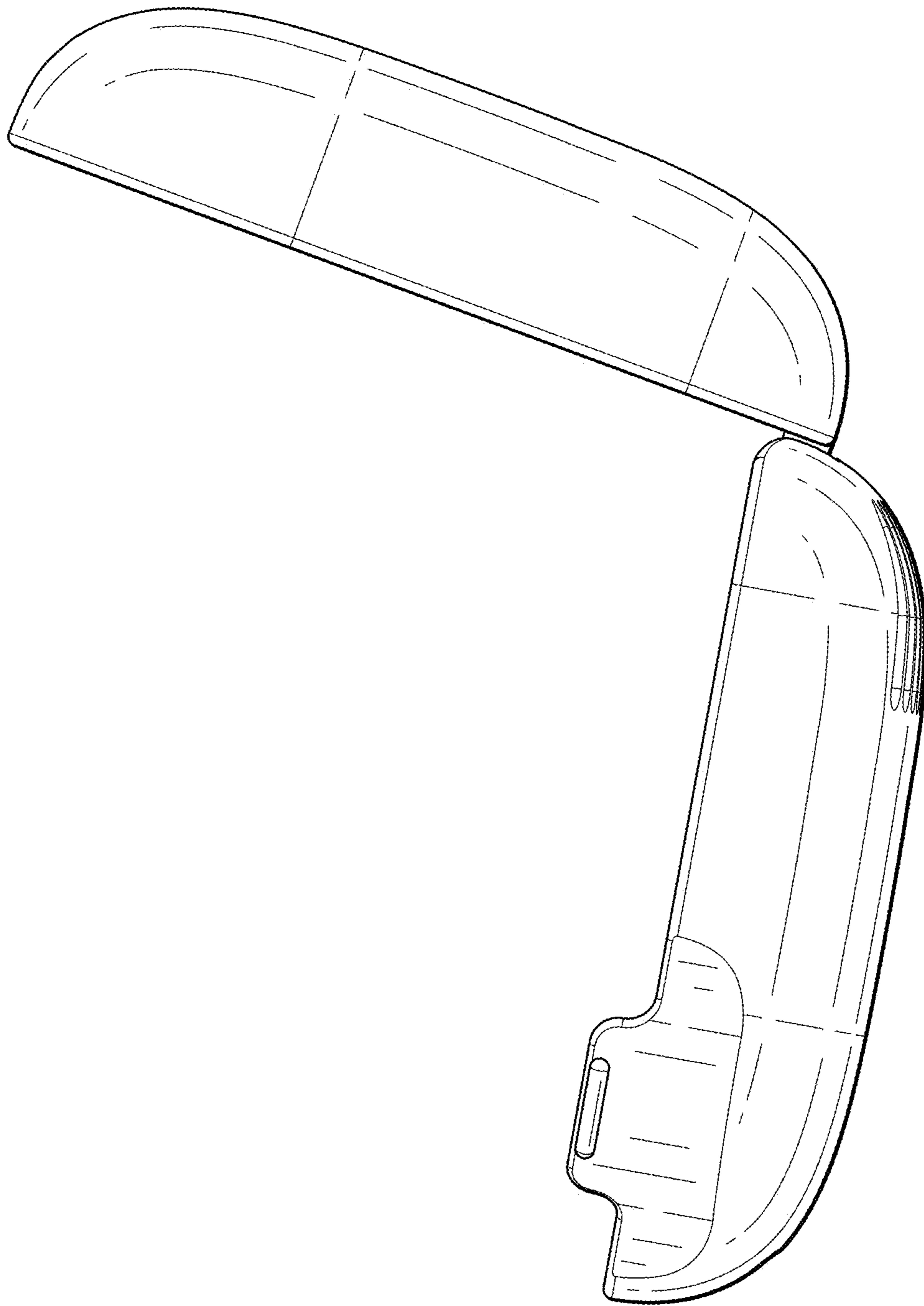


FIG. 12

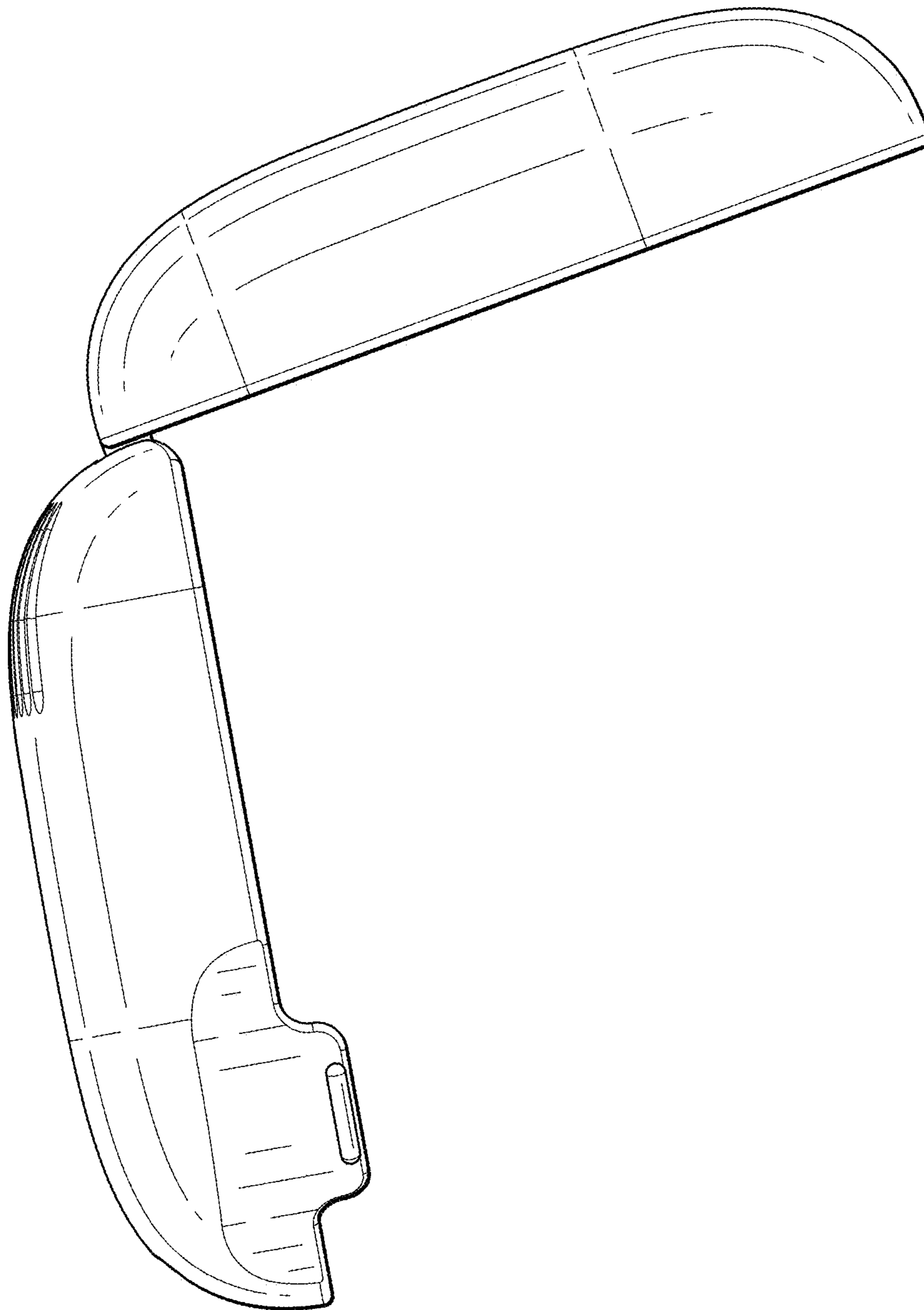


FIG. 13

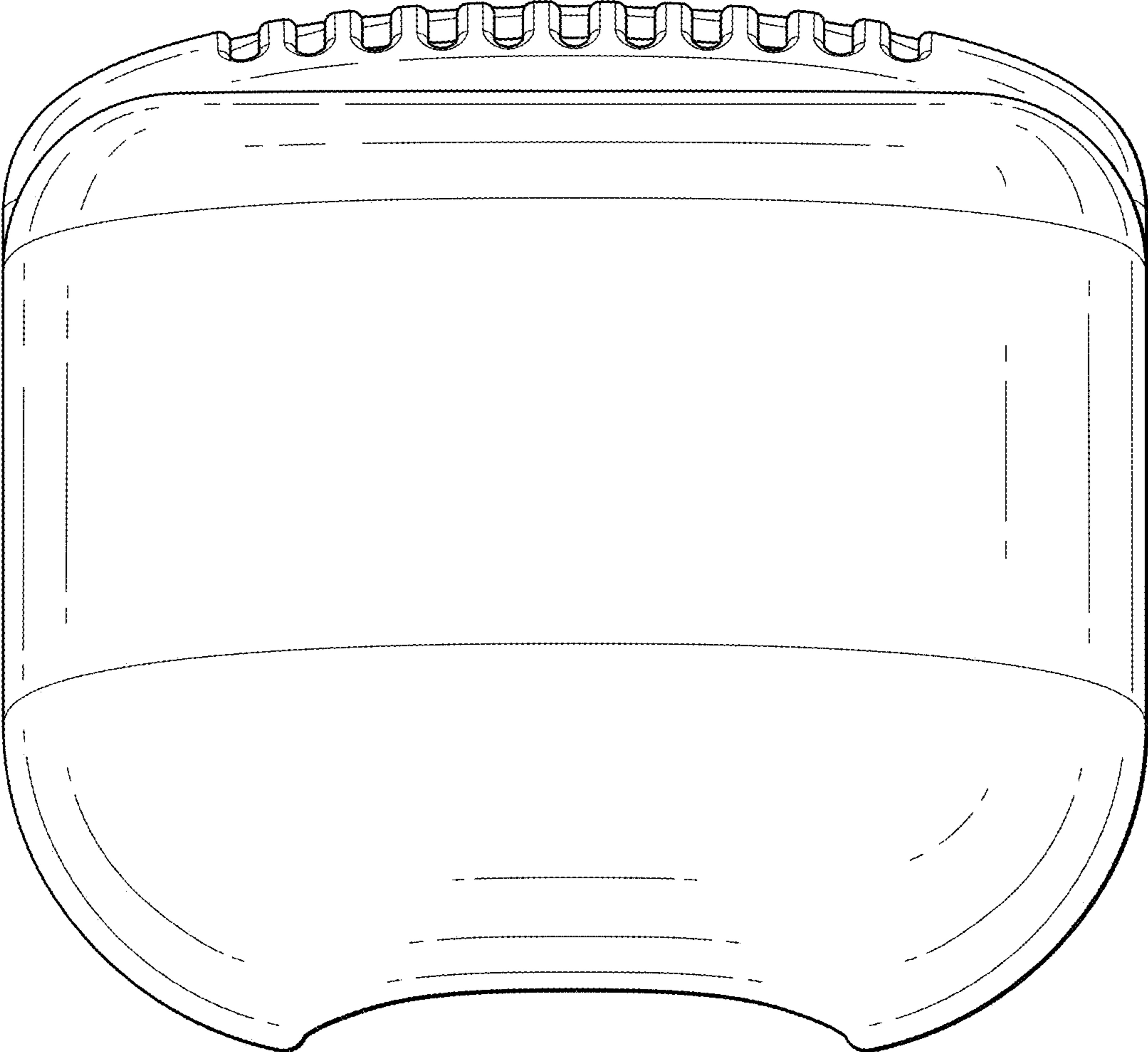


FIG. 14

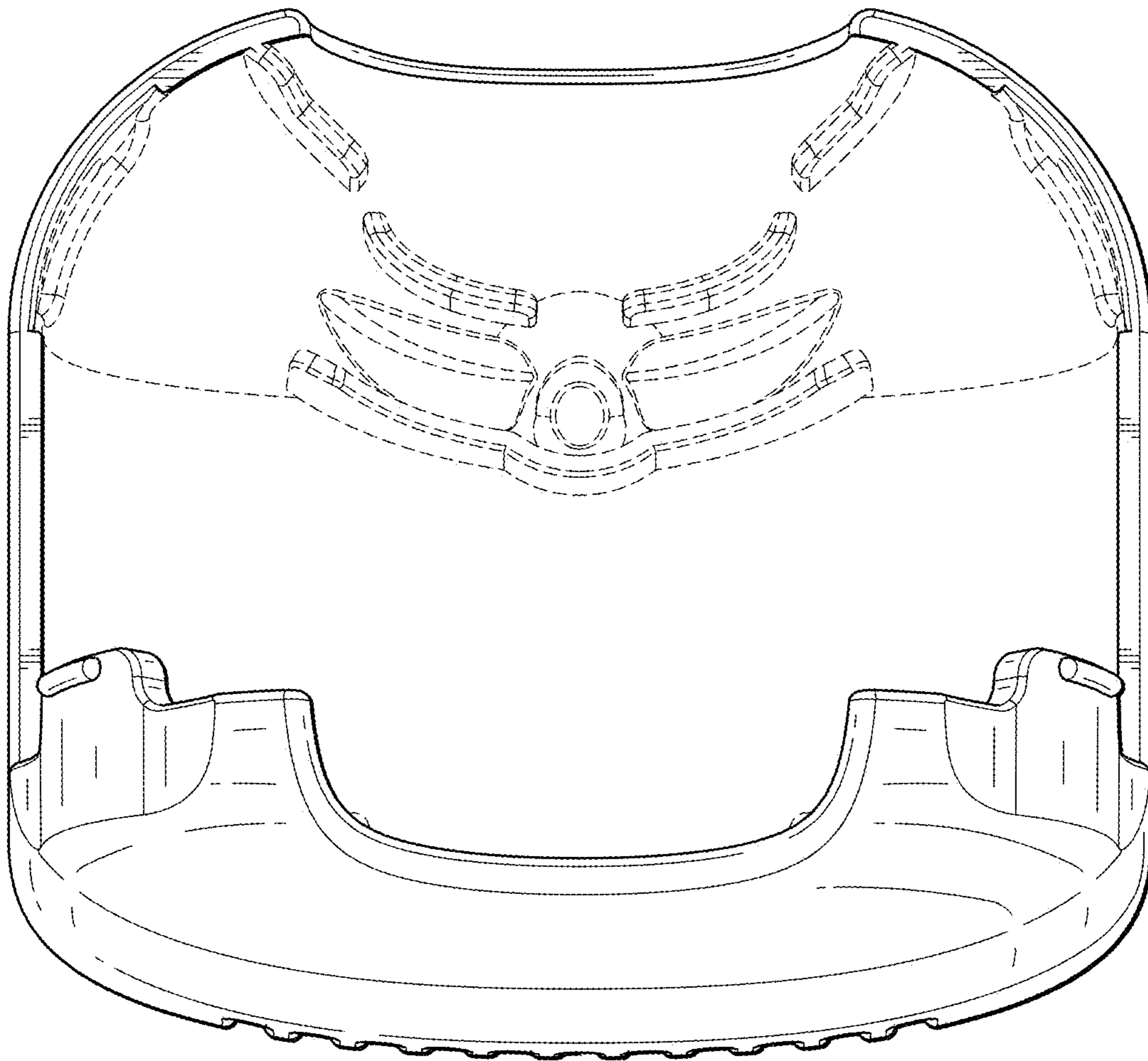


FIG. 15

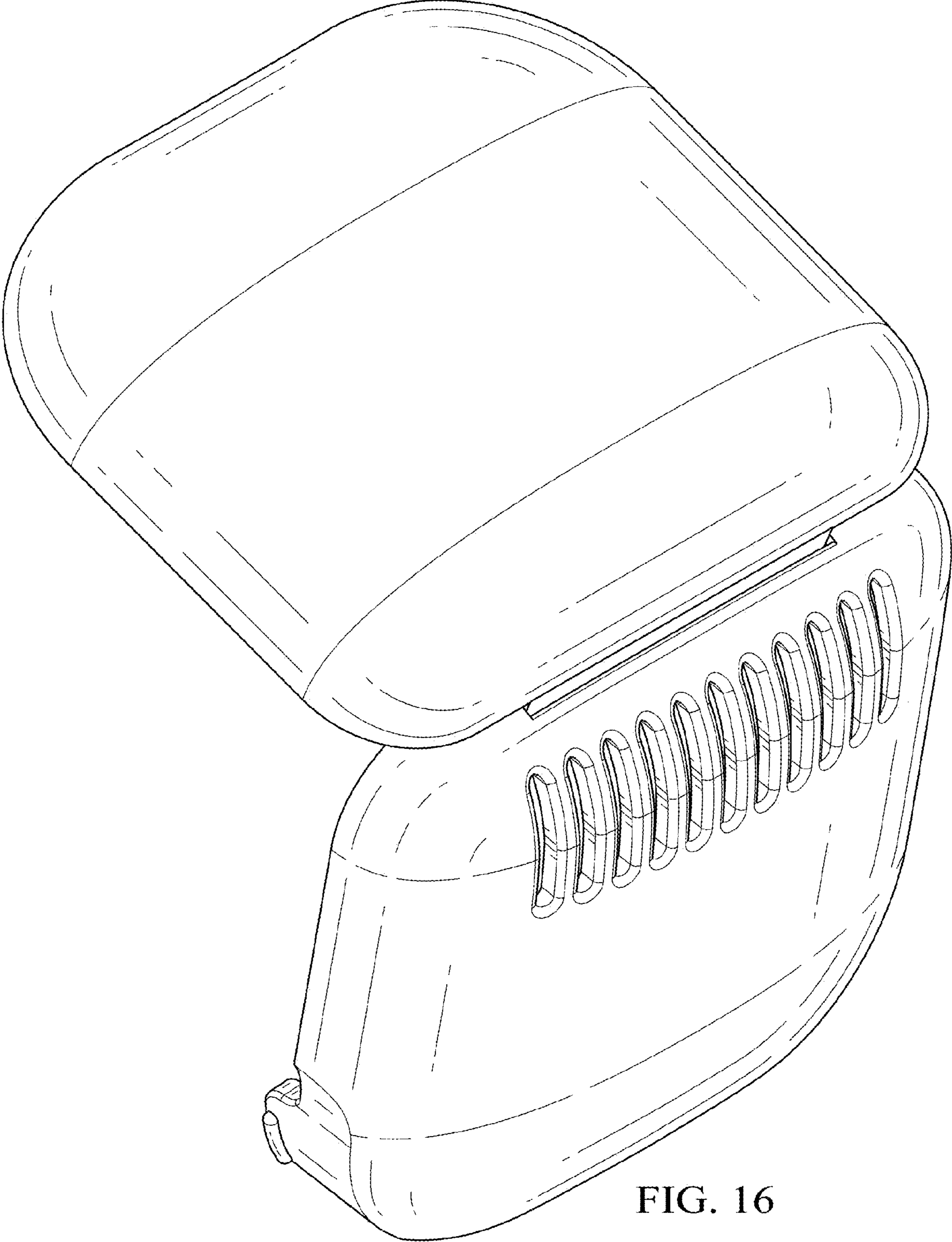


FIG. 16