



US00D874060S

(12) **United States Design Patent**
Galekovic

(10) **Patent No.:** **US D874,060 S**
(45) **Date of Patent:** **** *Jan. 28, 2020**

- (54) **HAIR GROOMING COMB**
- (71) Applicant: **Nicholas Galekovic**, Bal Harbour, FL (US)
- (72) Inventor: **Nicholas Galekovic**, Bal Harbour, FL (US)
- (*) Notice: This patent is subject to a terminal disclaimer.
- (**) Term: **15 Years**
- (21) Appl. No.: **29/620,161**
- (22) Filed: **Aug. 1, 2016**
- (51) **LOC (12) Cl.** **28-03**
- (52) **U.S. Cl.**
USPC **D28/21**
- (58) **Field of Classification Search**
USPC D28/29, 10, 21, 22, 25, 27, 30, 31;
D30/159, 146, 149
CPC A45D 24/02; A45D 24/12; A45D 24/34;
A45D 24/00
See application file for complete search history.

8,627,830 B1 *	1/2014	Becker	A45D 24/10
				132/148
D718,899 S *	12/2014	Burkman	A45D 24/00
				D28/21
D770,093 S *	10/2016	Smith	D28/21
D782,111 S *	3/2017	Litwinski	D28/21
D782,737 S *	3/2017	Strom	D28/21
D799,294 S *	10/2017	Burkman	D8/34
D812,299 S *	3/2018	Suh	D28/29
2003/0037794 A1	2/2003	Shannon		
2012/0037176 A1	2/2012	Ito		

* cited by examiner

Primary Examiner — Susan Bennett Hattan
Assistant Examiner — Rebecca Tsehaye
(74) *Attorney, Agent, or Firm* — Grant Attorneys at law PLLC; Kristin A. Grant, Esq.

(57) **CLAIM**

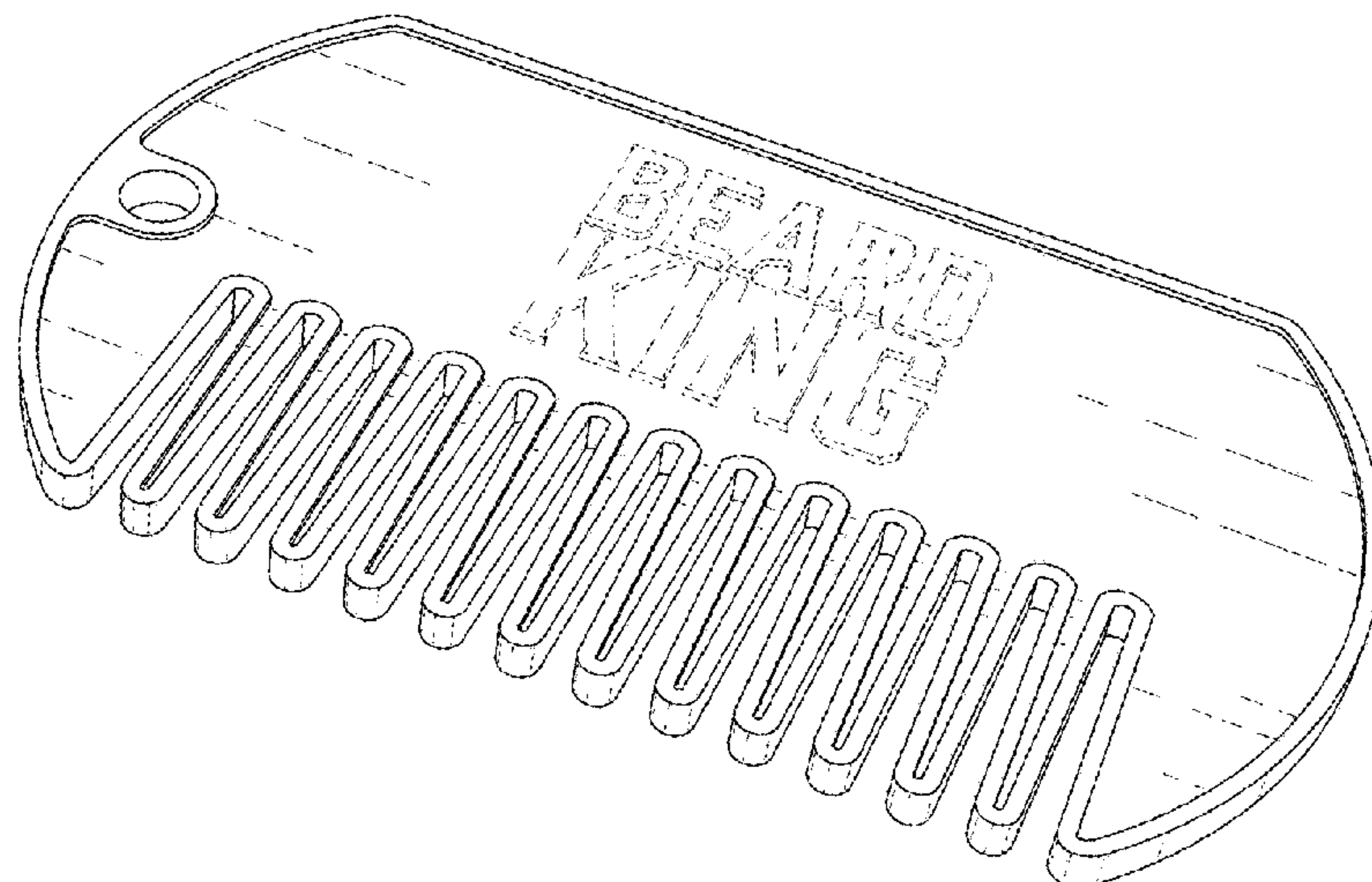
The ornamental design for a hair grooming comb, as shown and described.

DESCRIPTION

FIG. 1 is a frontal perspective view of a hair grooming comb showing my new design.
FIG. 2 is a rear perspective view of the hair grooming comb.
FIG. 3 is front view of the hair grooming comb.
FIG. 4 is a side view of the hair grooming comb.
FIG. 5 is the opposite side view of FIG. 4.
FIG. 6 is a third side view.
FIG. 7 is a fourth side view.
FIG. 8 is a rear perspective view and design; and,
FIG. 9 is an additional frontal perspective view.
The broken line in the drawings depict parts of the hair grooming comb that form no part of the claimed design.

1 Claim, 6 Drawing Sheets

- (56) **References Cited**
U.S. PATENT DOCUMENTS
- 2,438,945 A 3/1946 Rhodes
- 4,513,842 A 4/1985 Karlsberg
- D332,505 S * 1/1993 Ward D28/21
- D420,170 S * 2/2000 Chen D28/22
- D434,183 S * 11/2000 Fraenkel D28/22
- D468,863 S * 1/2003 Irving D28/21
- D644,376 S * 8/2011 Morrill D28/21
- D646,434 S * 10/2011 Libman D28/33
- D670,432 S * 11/2012 Driver D28/21



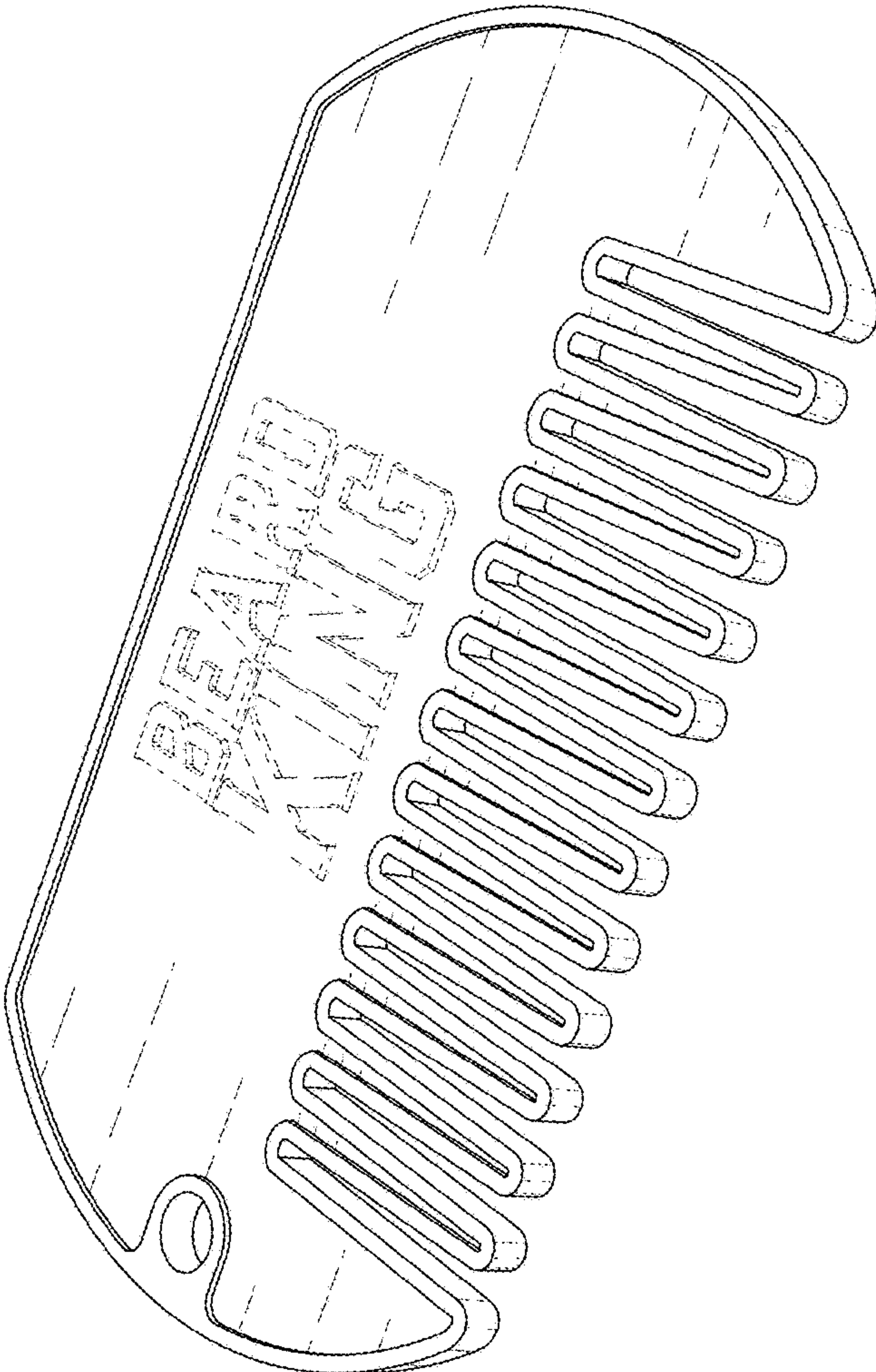


FIG. 1

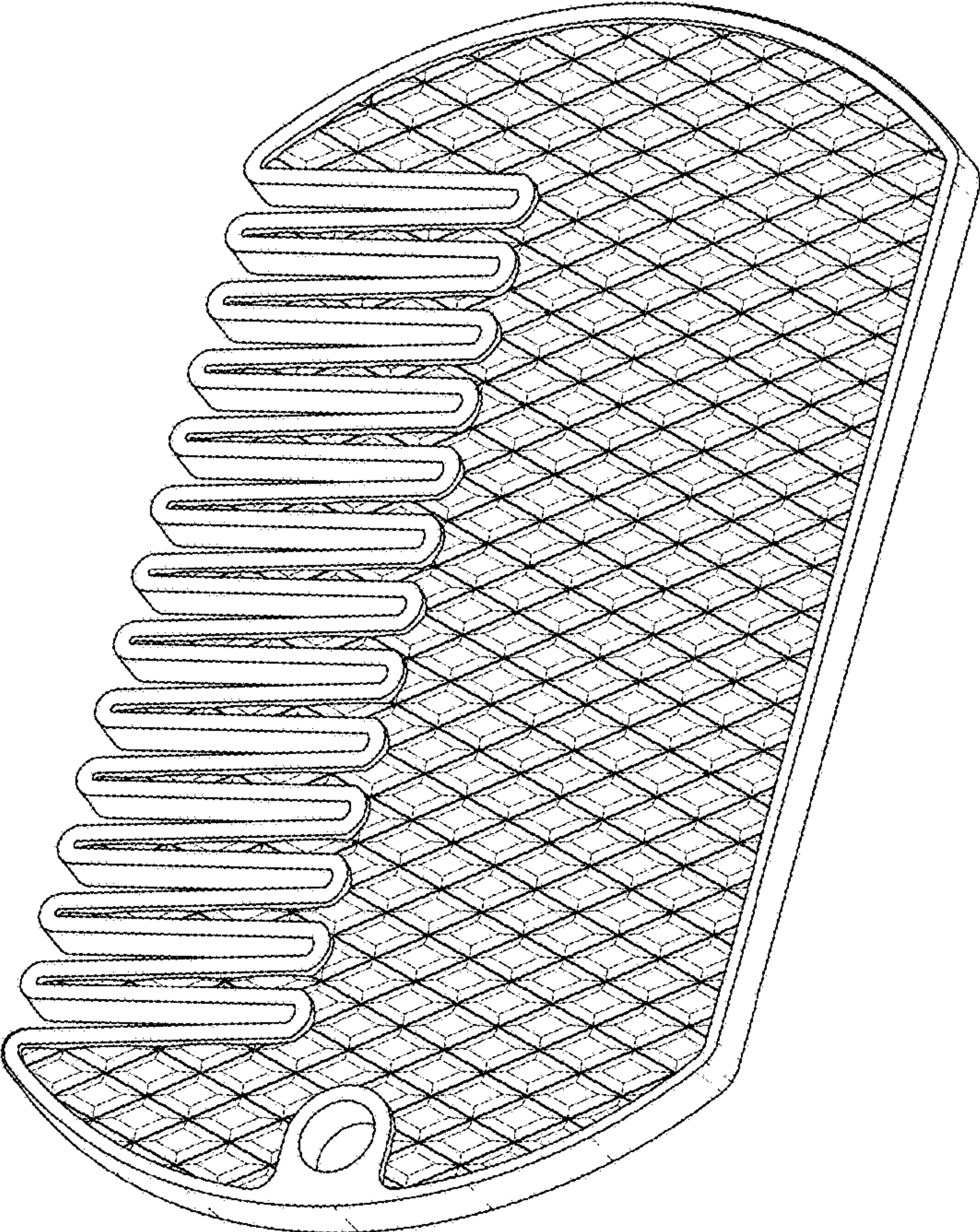


FIG. 2

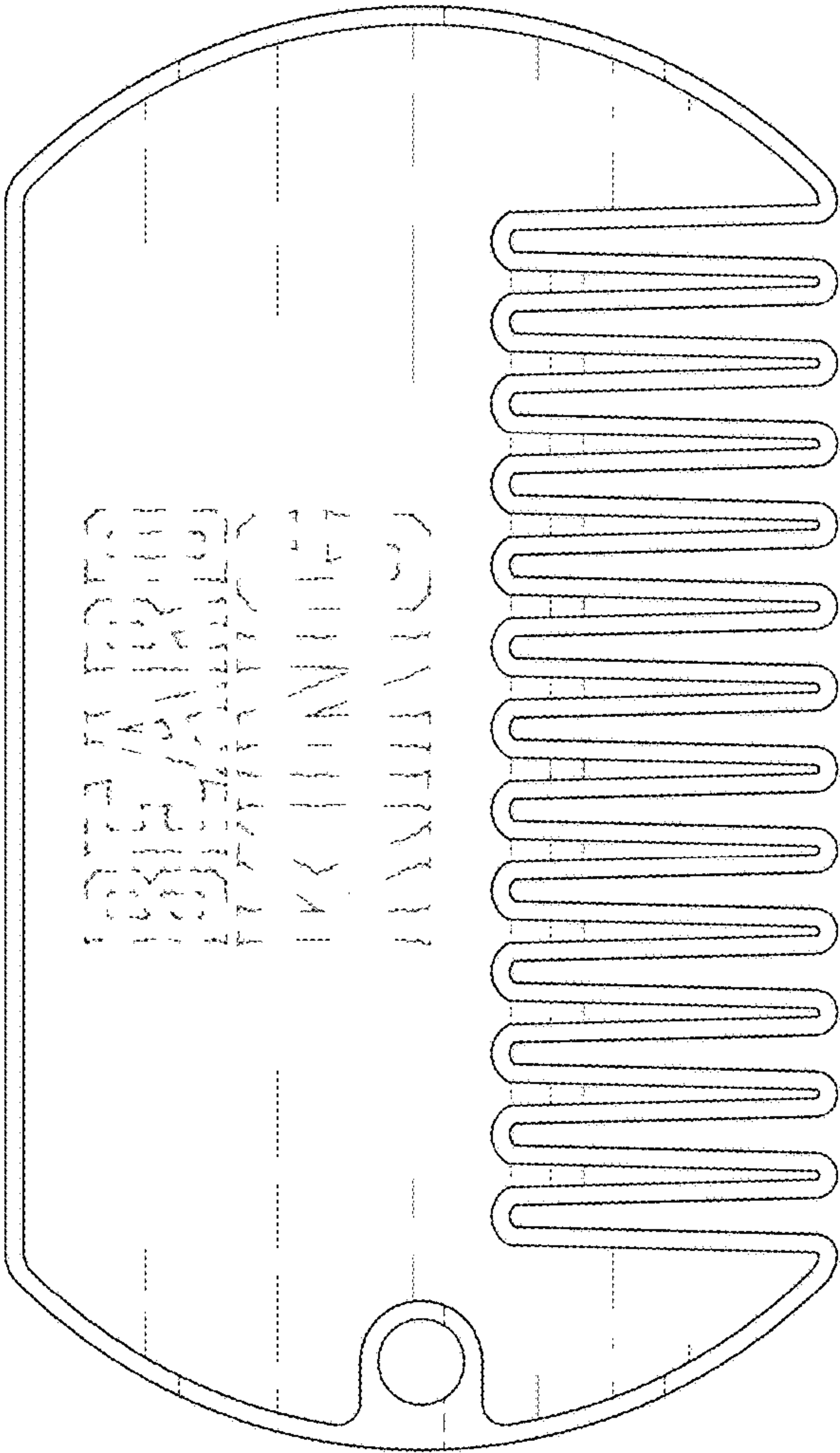


FIG. 3

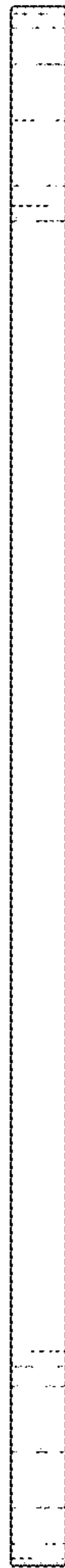


FIG. 4



FIG. 5

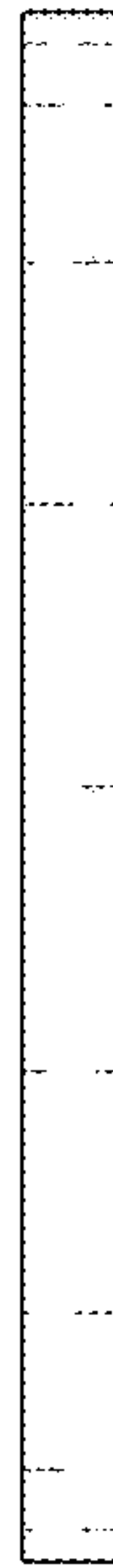


FIG. 6



FIG. 7

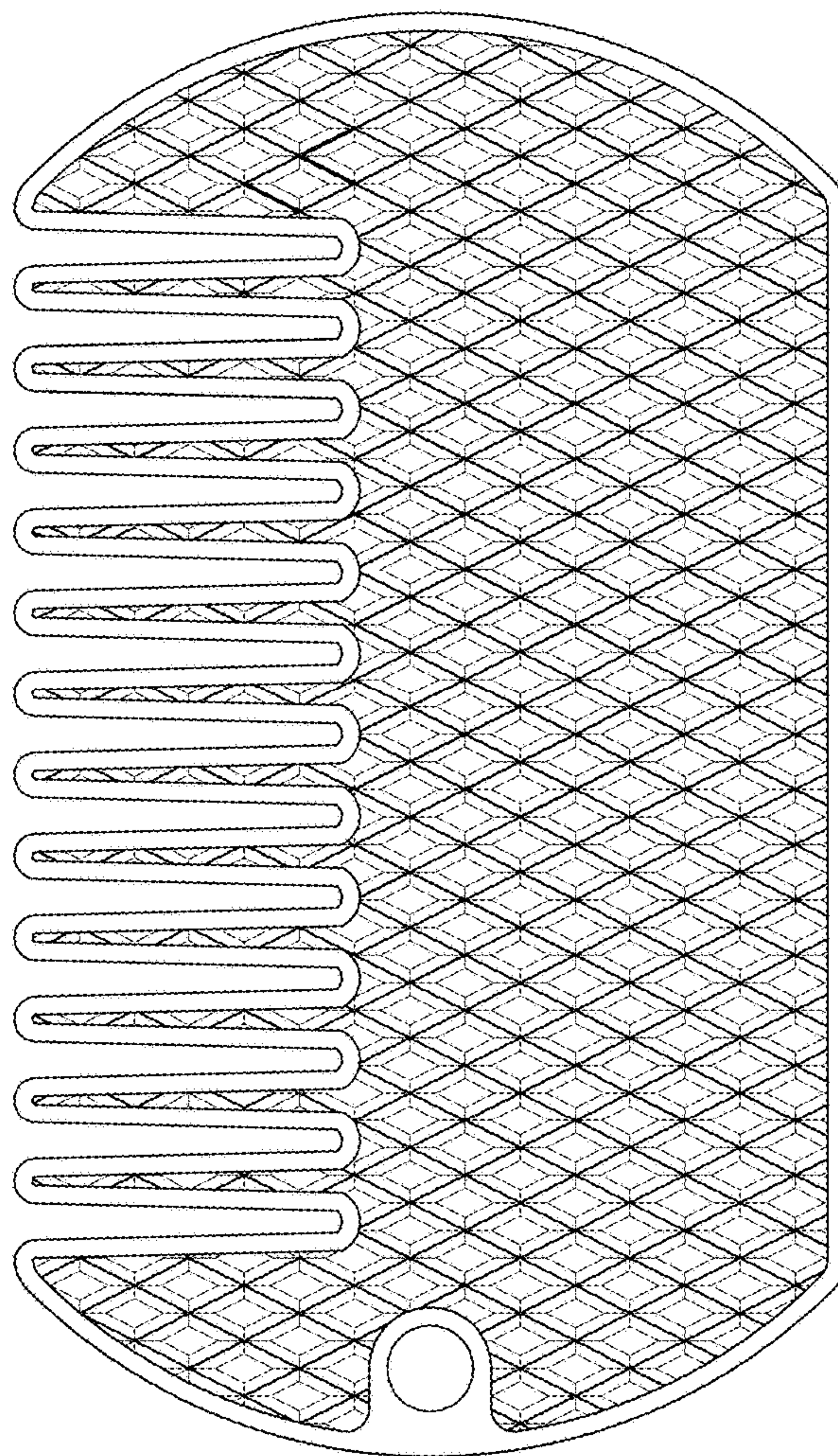


FIG. 8

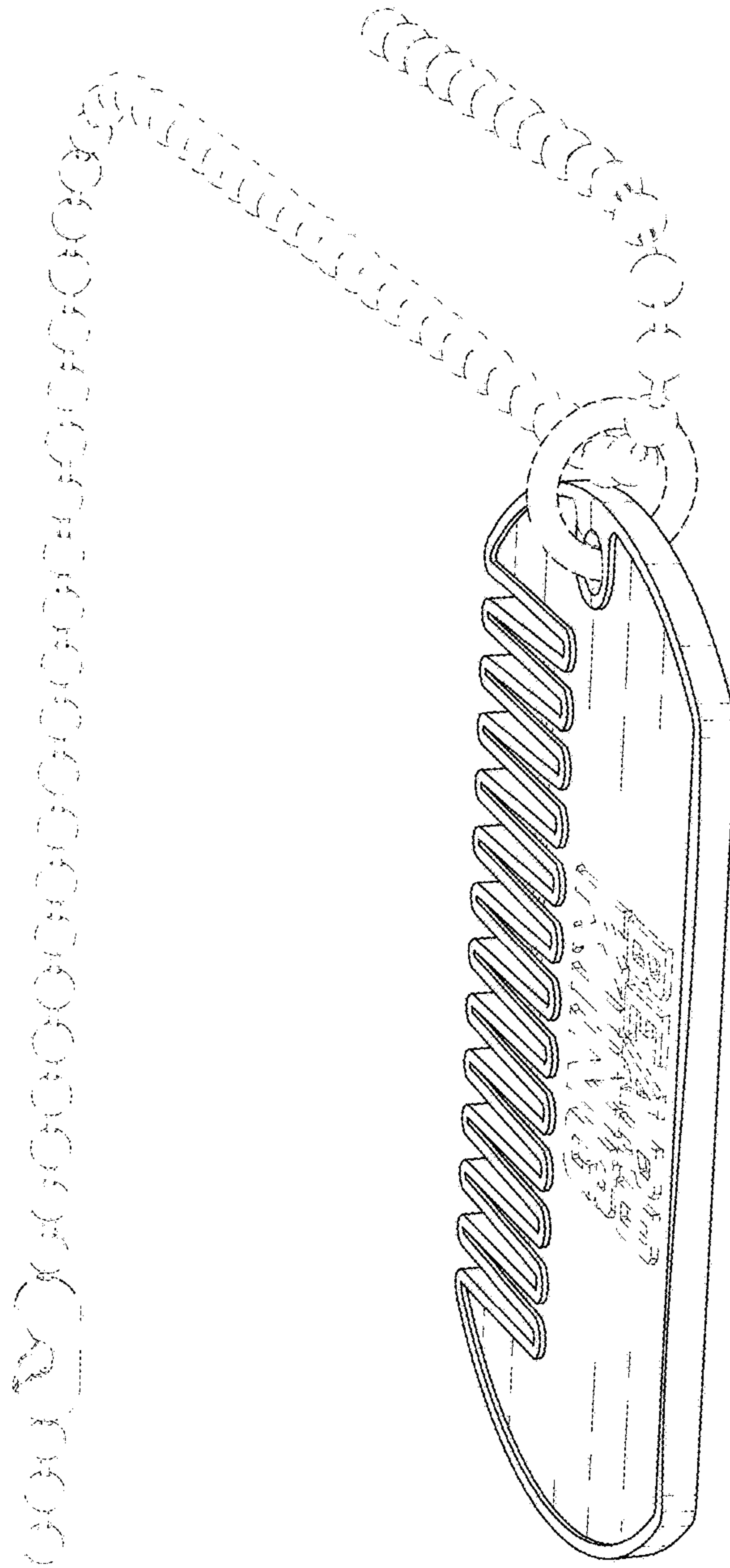


FIG. 9