



US00D874048S

(12) **United States Design Patent**  
**Gillespie**

(10) **Patent No.:** **US D874,048 S**

(45) **Date of Patent:** **\*\* Jan. 28, 2020**

(54) **LAMP**

(71) Applicant: **OVUUD, LLC**, Philadelphia, PA (US)

(72) Inventor: **Benjamin J. Gillespie**, Philadelphia, PA (US)

(73) Assignee: **OVUUD, LLC**, Philadelphia, PA (US)

(\*\*) Term: **15 Years**

(21) Appl. No.: **29/642,598**

(22) Filed: **Mar. 30, 2018**

(51) **LOC (12) Cl.** ..... **26-03**

(52) **U.S. Cl.**  
USPC ..... **D26/107**

(58) **Field of Classification Search**  
USPC ..... D26/1, 24, 61, 63, 65, 85, 92, 93, 104,  
D26/106, 107, 113  
CPC ..... F21V 21/14; F21V 15/01; F21V 14/02;  
F21V 21/30; F21V 21/00; F21V 14/00;  
F21S 8/00; F21S 8/003; F21S 8/043;  
F21Y 2105/001  
See application file for complete search history.

(56) **References Cited**

**U.S. PATENT DOCUMENTS**

D515,235 S \* 2/2006 Opolka ..... D26/107

D765,900 S \* 9/2016 Oh ..... D26/63  
D800,937 S \* 10/2017 Li ..... D26/63  
D804,072 S \* 11/2017 Xu ..... D26/63

\* cited by examiner

*Primary Examiner* — Brian N. Vinson

(74) *Attorney, Agent, or Firm* — Benjamin J. Gillespie

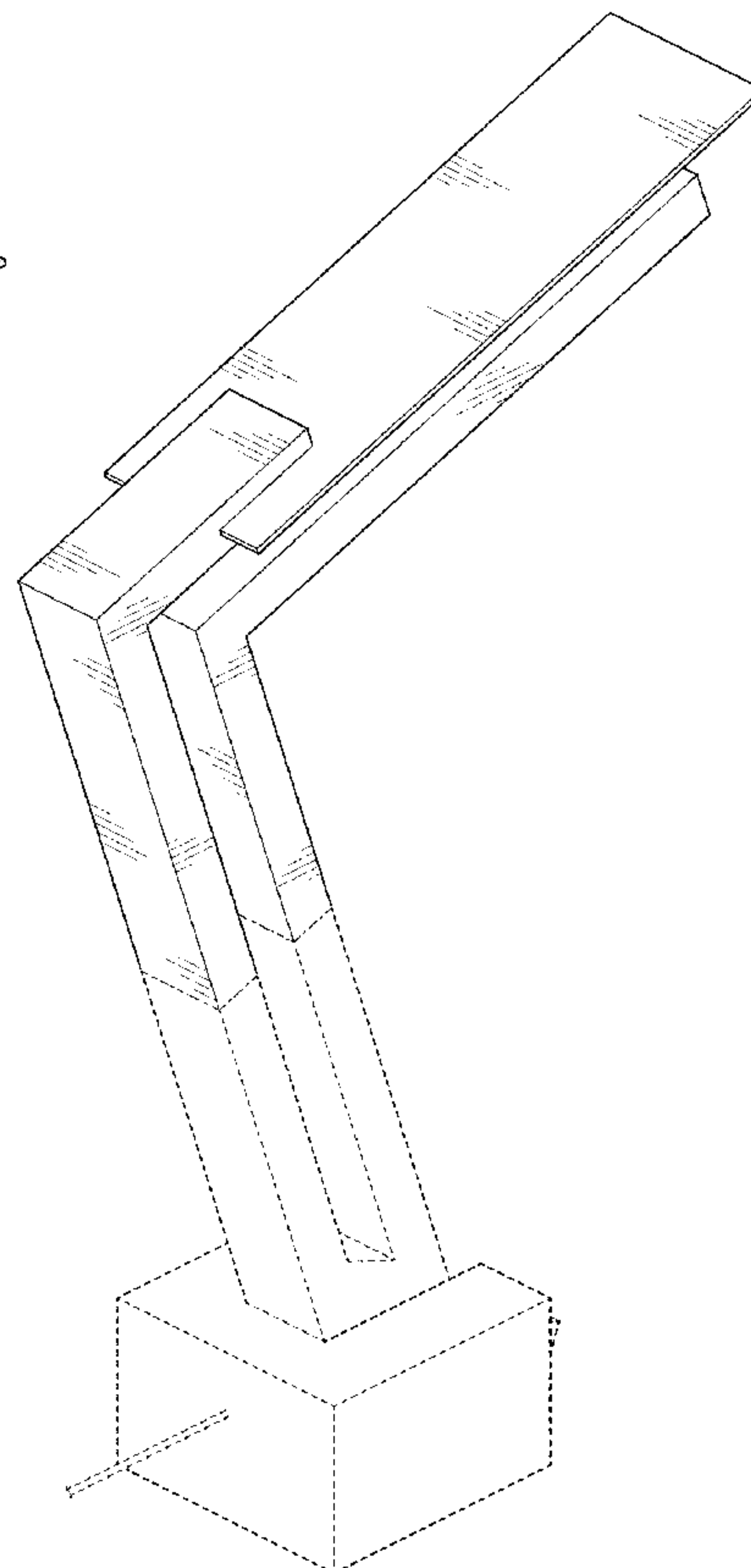
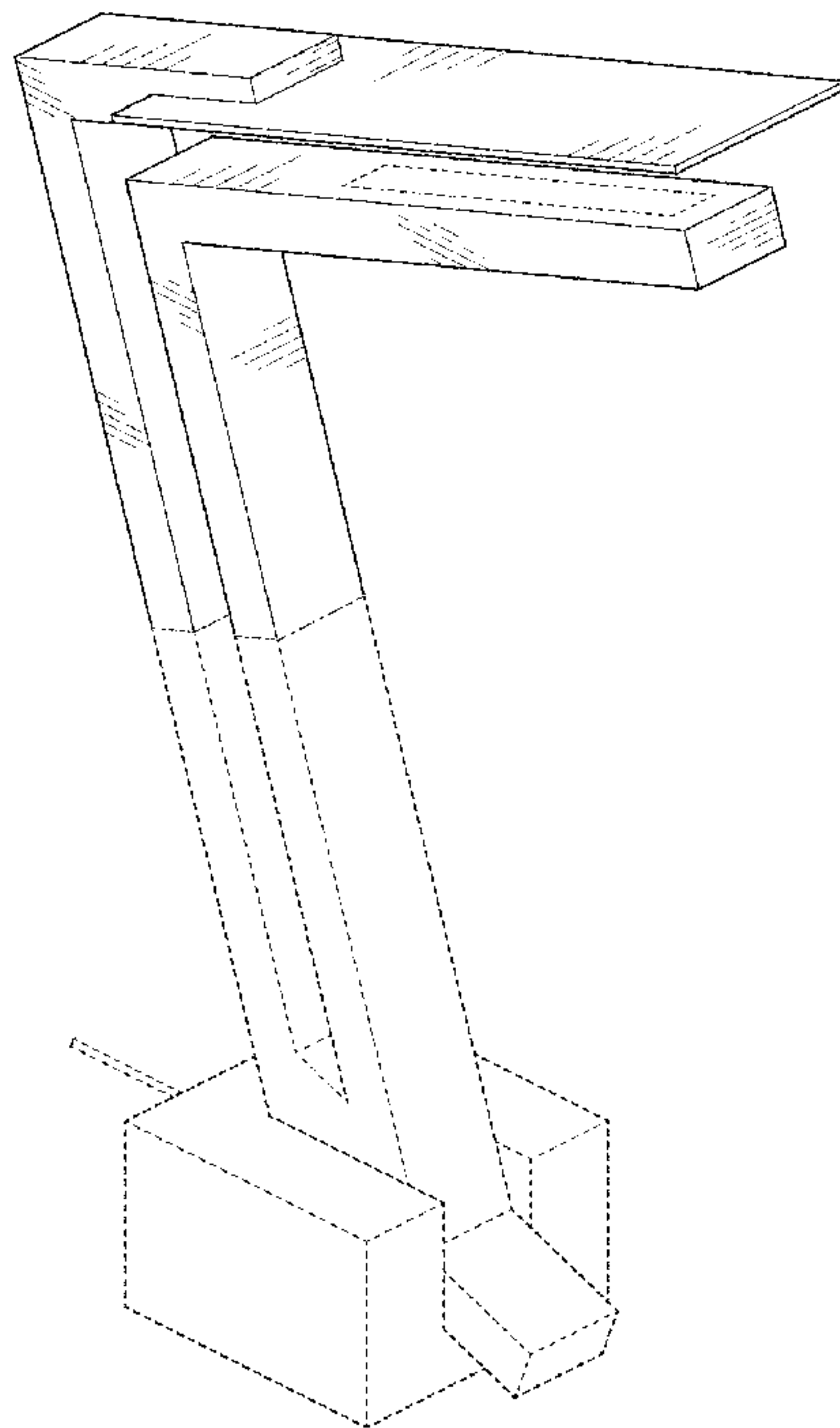
(57) **CLAIM**

The ornamental design for a lamp, as shown and described.

**DESCRIPTION**

FIG. 1 is a front-left top perspective view of a lamp according to the present invention; FIG. 2 is a rear-left top perspective view of the lamp thereof; FIG. 3 is a front plan view of the lamp thereof; FIG. 4 is a rear plan view of the lamp thereof; FIG. 5 is a right-side plan view of the lamp thereof; FIG. 6 is a left-side plan view of the lamp thereof; FIG. 7 is a top plan view of the lamp thereof; and, FIG. 8 is a bottom plan view of the lamp thereof. The dashed lines formed by segments of equal length represent portions of the lamp which form no part of the claimed design, and the dash-dot-dash lines represent an unclaimed boundary between claimed and unclaimed surfaces.

**1 Claim, 6 Drawing Sheets**



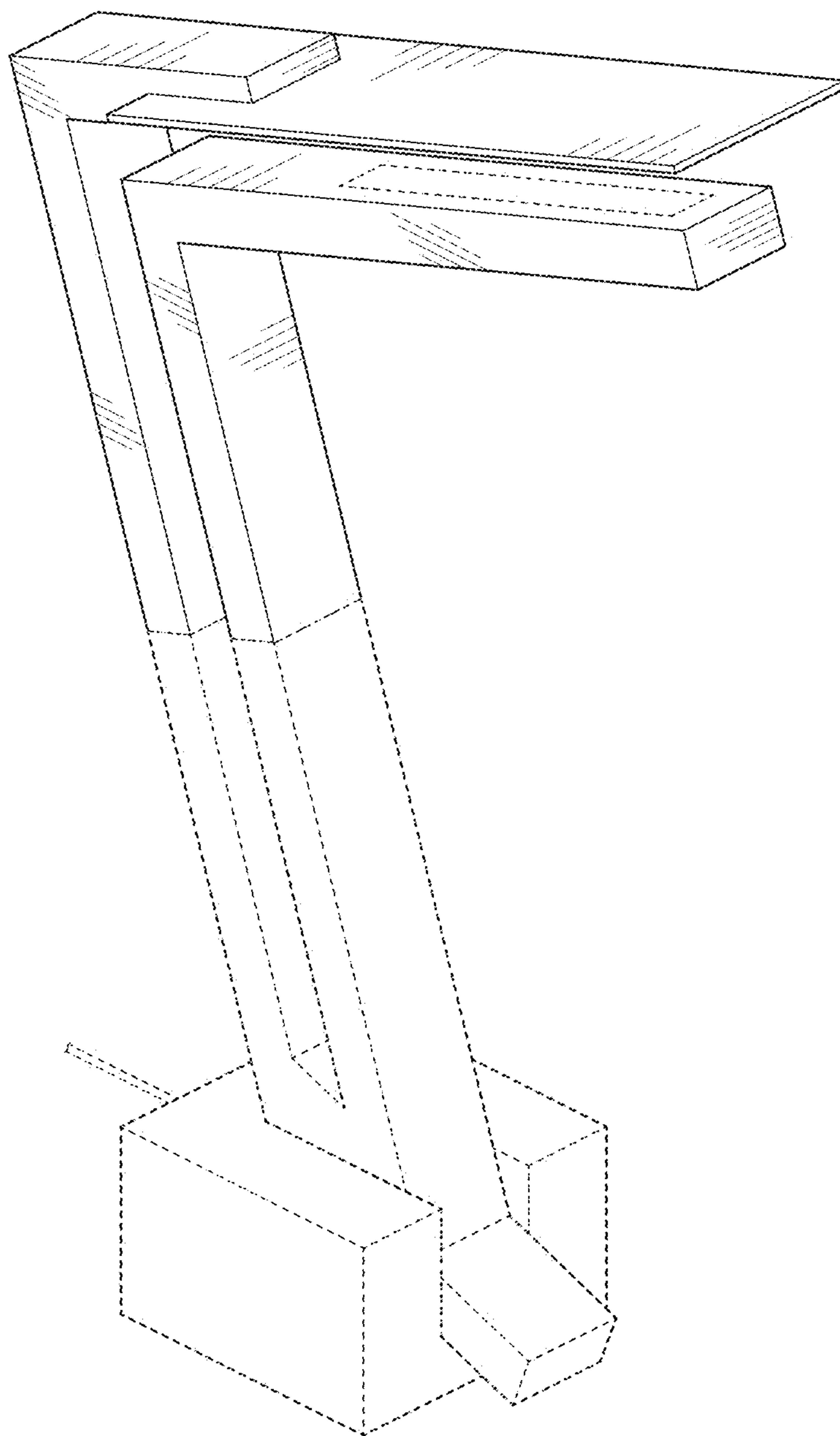


FIG. 1

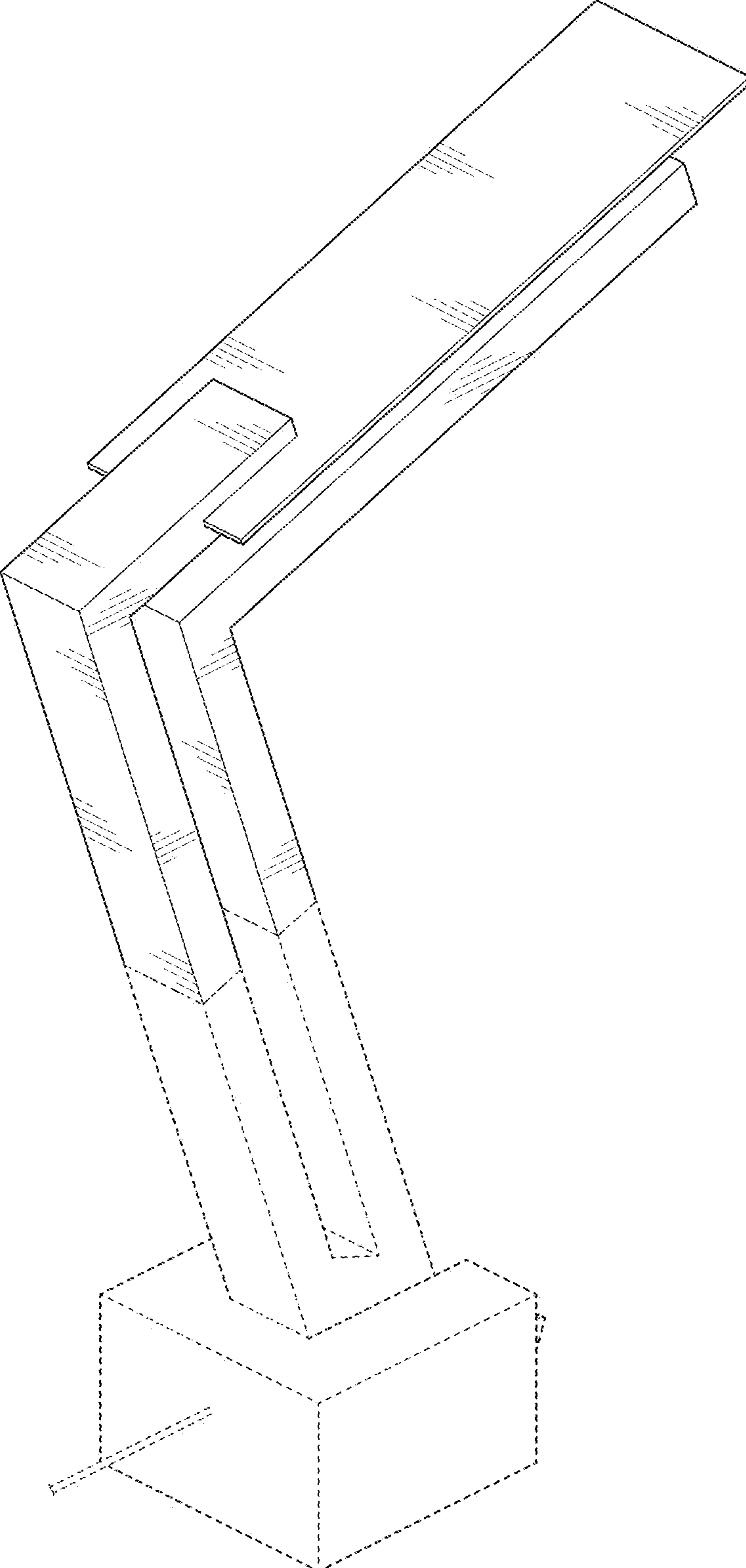


FIG. 2

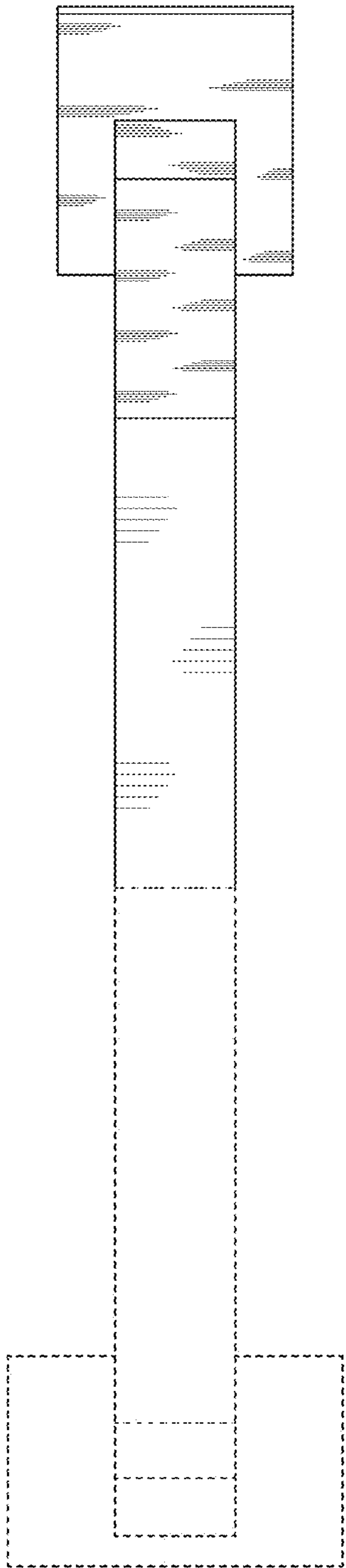


FIG. 3

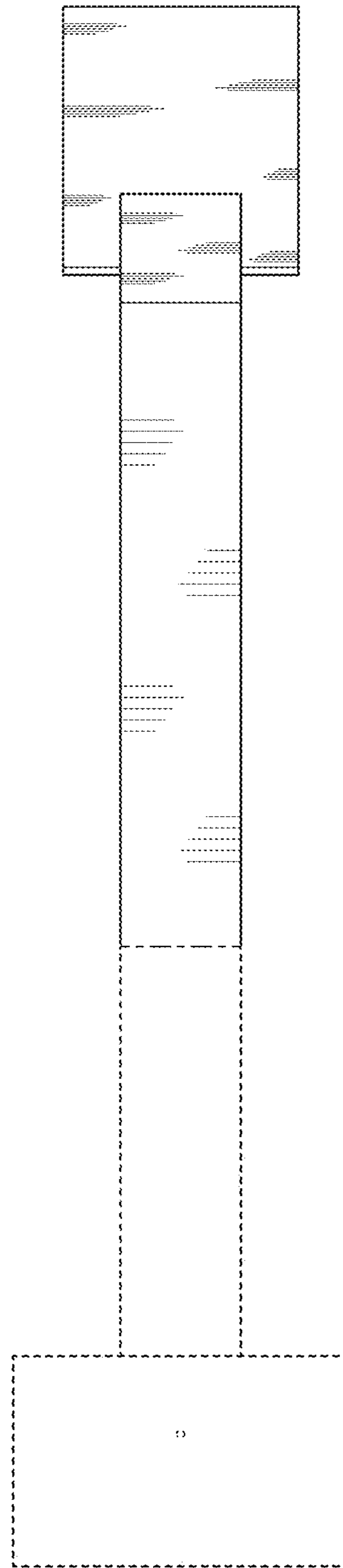


FIG. 4

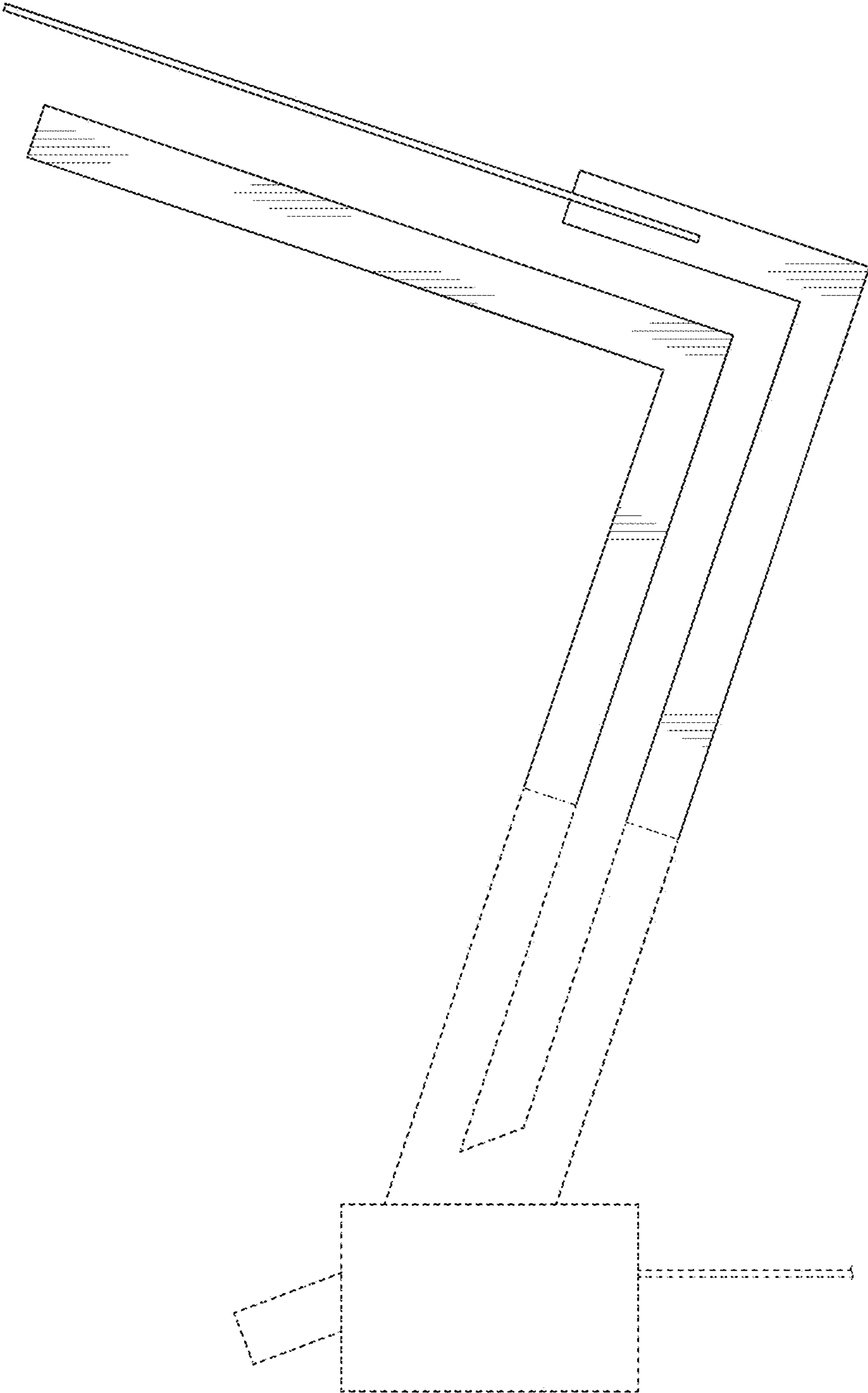


FIG. 5

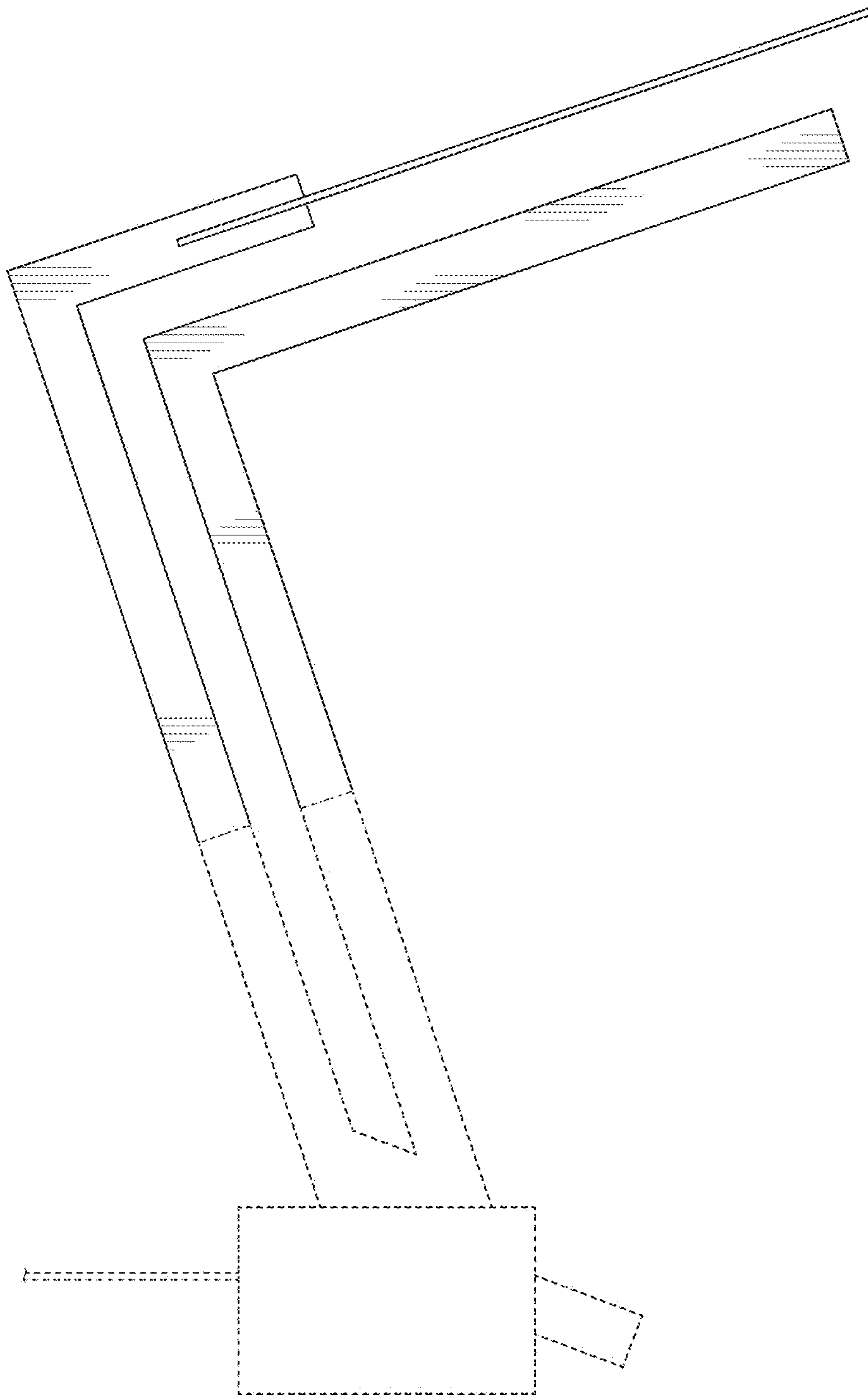


FIG. 6

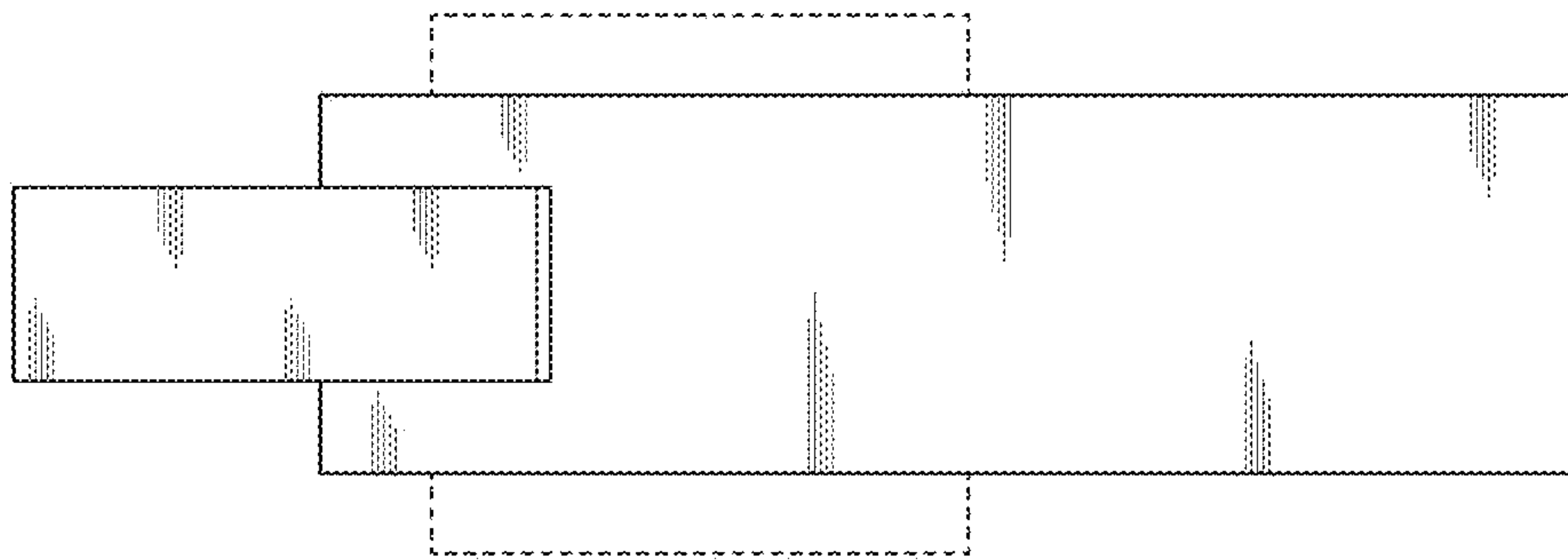


FIG. 7

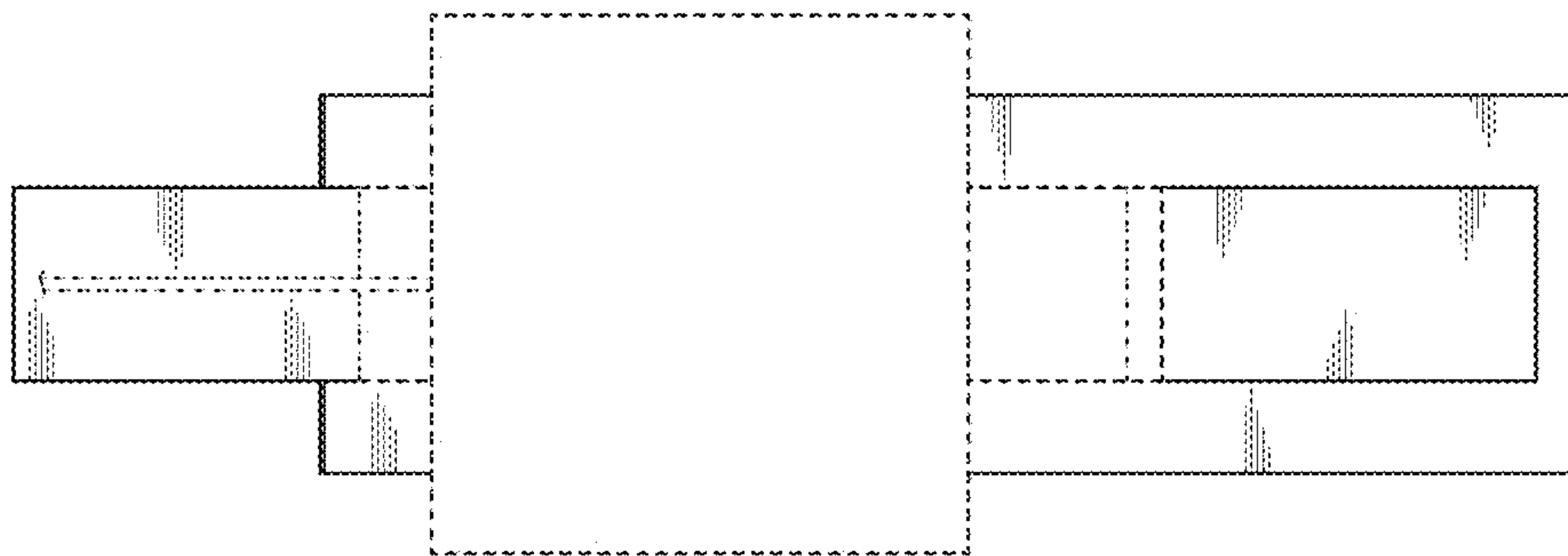


FIG. 8