



US00D874046S

(12) **United States Design Patent**  
**Hogan**

(10) **Patent No.:** **US D874,046 S**

(45) **Date of Patent:** **\*\* Jan. 28, 2020**

(54) **LIGHTING DEVICE**

(71) Applicant: **John Hogan**, Seattle, WA (US)

(72) Inventor: **John Hogan**, Seattle, WA (US)

(\*\*) Term: **15 Years**

(21) Appl. No.: **29/598,556**

(22) Filed: **Mar. 27, 2017**

(51) **LOC (12) Cl.** ..... **26-04**

(52) **U.S. Cl.**  
USPC ..... **D26/76**

(58) **Field of Classification Search**  
USPC ... D26/3, 37, 38, 39, 40, 42, 46, 48, 51, 54,  
D26/60, 61, 63, 64, 65, 66, 67, 71, 72,  
D26/74, 75, 78, 79, 80, 81, 82, 83, 85,  
D26/86, 88, 90, 91, 113, 118, 119, 120,  
D26/121, 122; D25/119, 126, 133, 135;  
D13/134; D10/111-115  
CPC .... F21S 4/28; F21S 8/026; F21S 8/031; F21S  
8/036; F21S 8/043; F21V 21/04; F21V  
29/74; F21V 29/75; F21V 29/83  
See application file for complete search history.

(56) **References Cited**

**U.S. PATENT DOCUMENTS**

D274,657 S \* 7/1984 Herst ..... D26/76  
D423,133 S \* 4/2000 Spitler ..... D26/86  
D423,134 S \* 4/2000 Spitler ..... D26/86  
D547,898 S \* 7/2007 Tseng ..... D26/78

D554,793 S \* 11/2007 Bobel ..... D26/75  
D604,885 S \* 11/2009 Ford ..... D26/76  
D605,329 S \* 12/2009 Watt ..... D26/118  
D605,343 S \* 12/2009 Watt ..... D26/118  
D612,528 S \* 3/2010 McGrath ..... D26/76  
D742,550 S \* 11/2015 Mitchell ..... D25/126  
D786,483 S \* 5/2017 Sonneman ..... D26/90  
D792,632 S \* 7/2017 Amato ..... D26/90

\* cited by examiner

*Primary Examiner* — Mark A Goodwin

*Assistant Examiner* — Benjamin M Weeks

(74) *Attorney, Agent, or Firm* — Timothy W. Menasco,  
Esq.; Harter Secrest & Emery LLP

(57) **CLAIM**

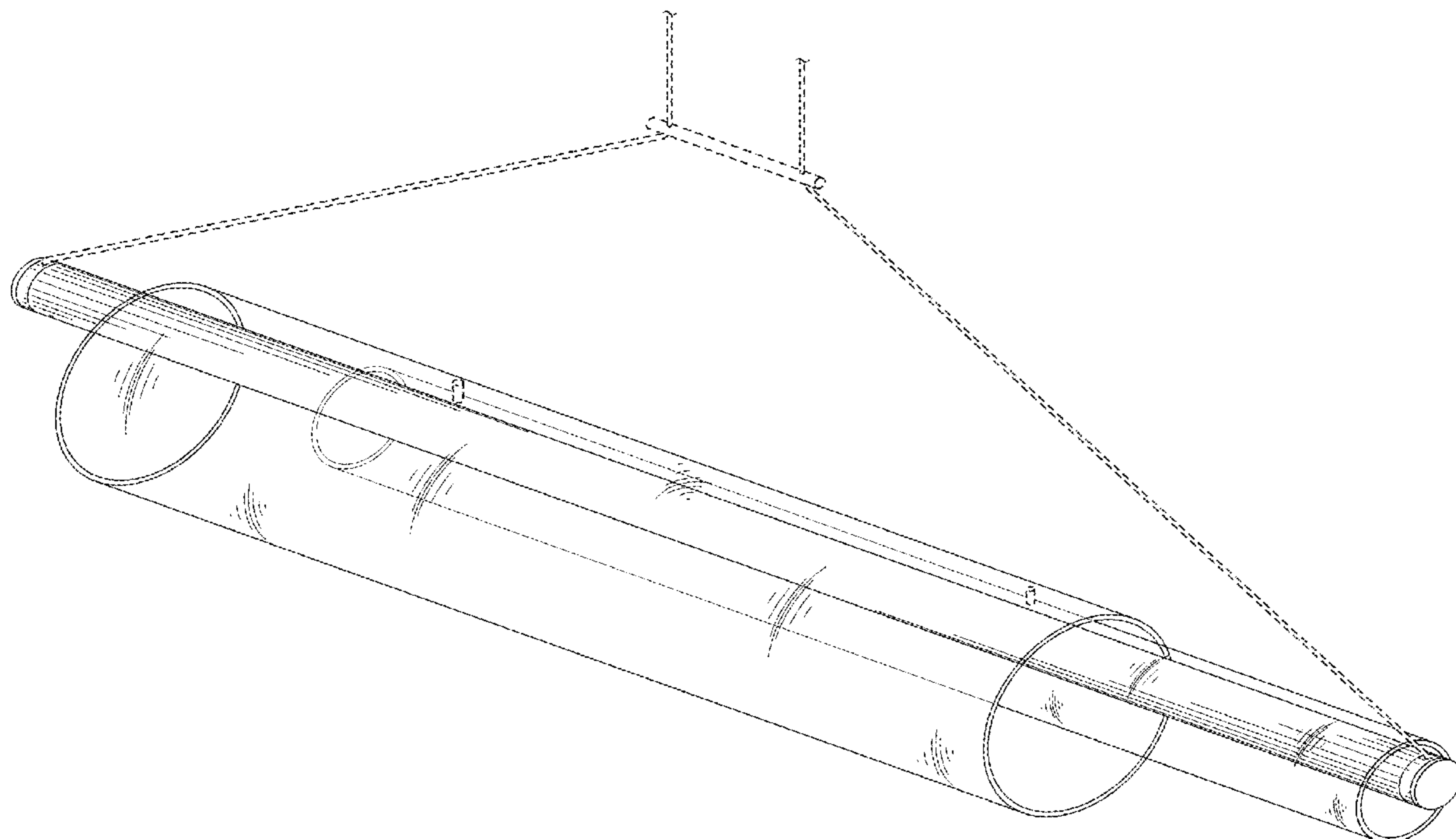
The ornamental design of a lighting device, as shown and described.

**DESCRIPTION**

FIG. 1 is a front perspective view of a lighting device in accordance with the present invention;  
FIG. 2 is a front side view thereof;  
FIG. 3 is a right side view thereof, a left side view being a mirror image thereof;  
FIG. 4 is a rear side view thereof;  
FIG. 5 is a top view thereof; and,  
FIG. 6 is a bottom view thereof.

The lighting device is not limited to the scale shown herein. The broken lines of the Figures are for illustrative purposes only and form no part of the claimed design.

**1 Claim, 6 Drawing Sheets**



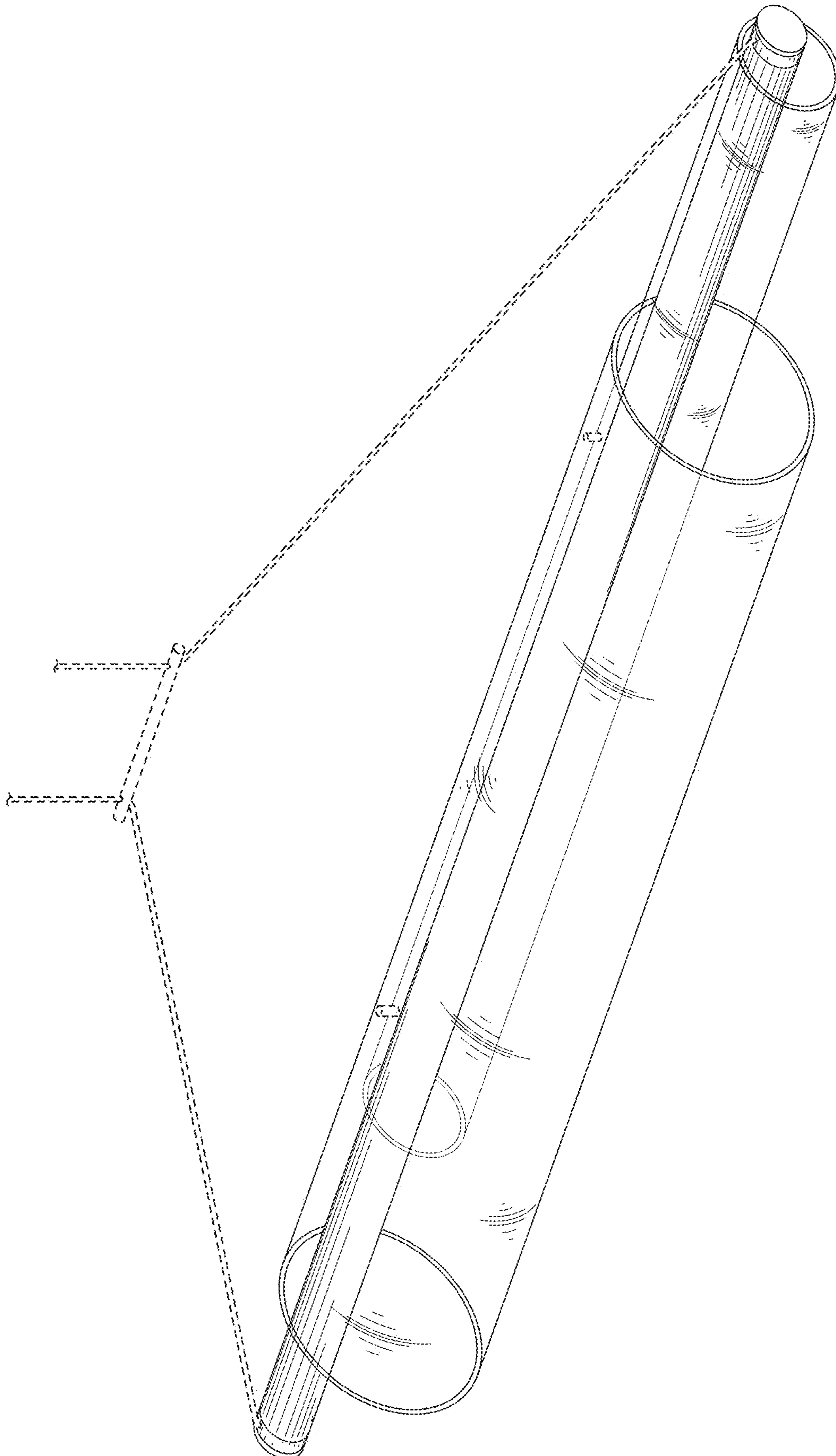


FIG. 1

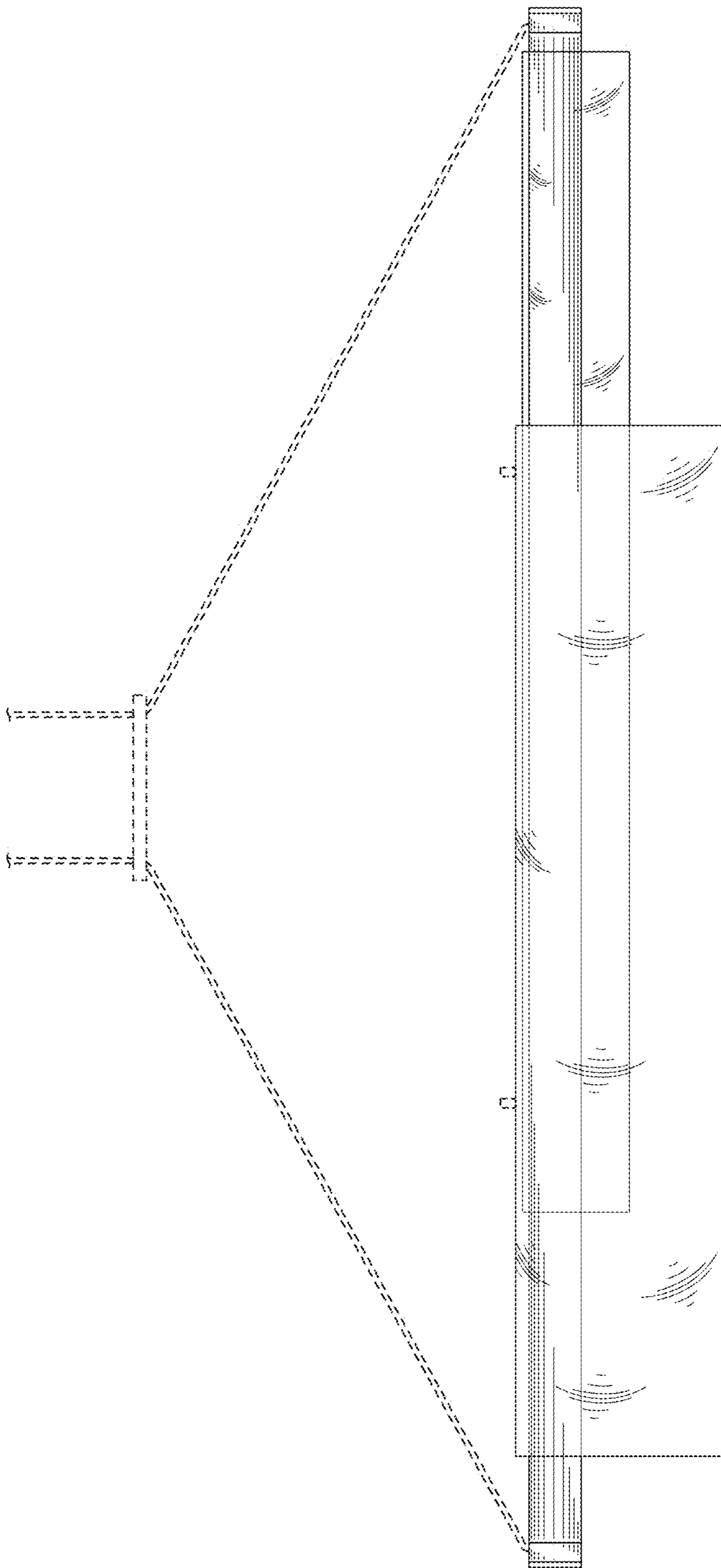


FIG. 2

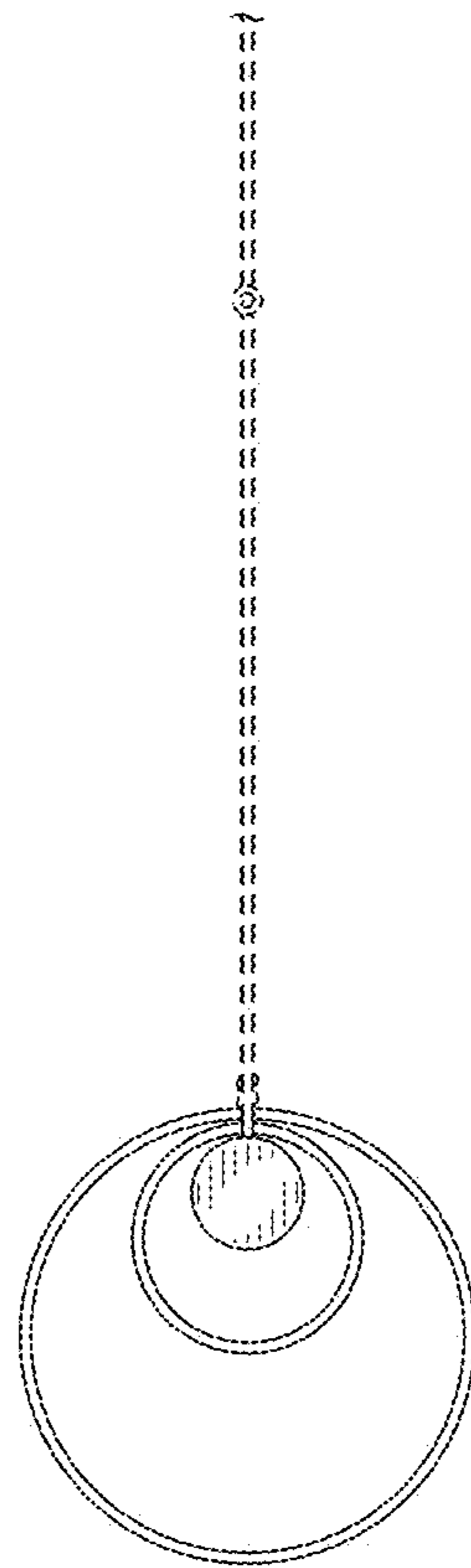


FIG. 3

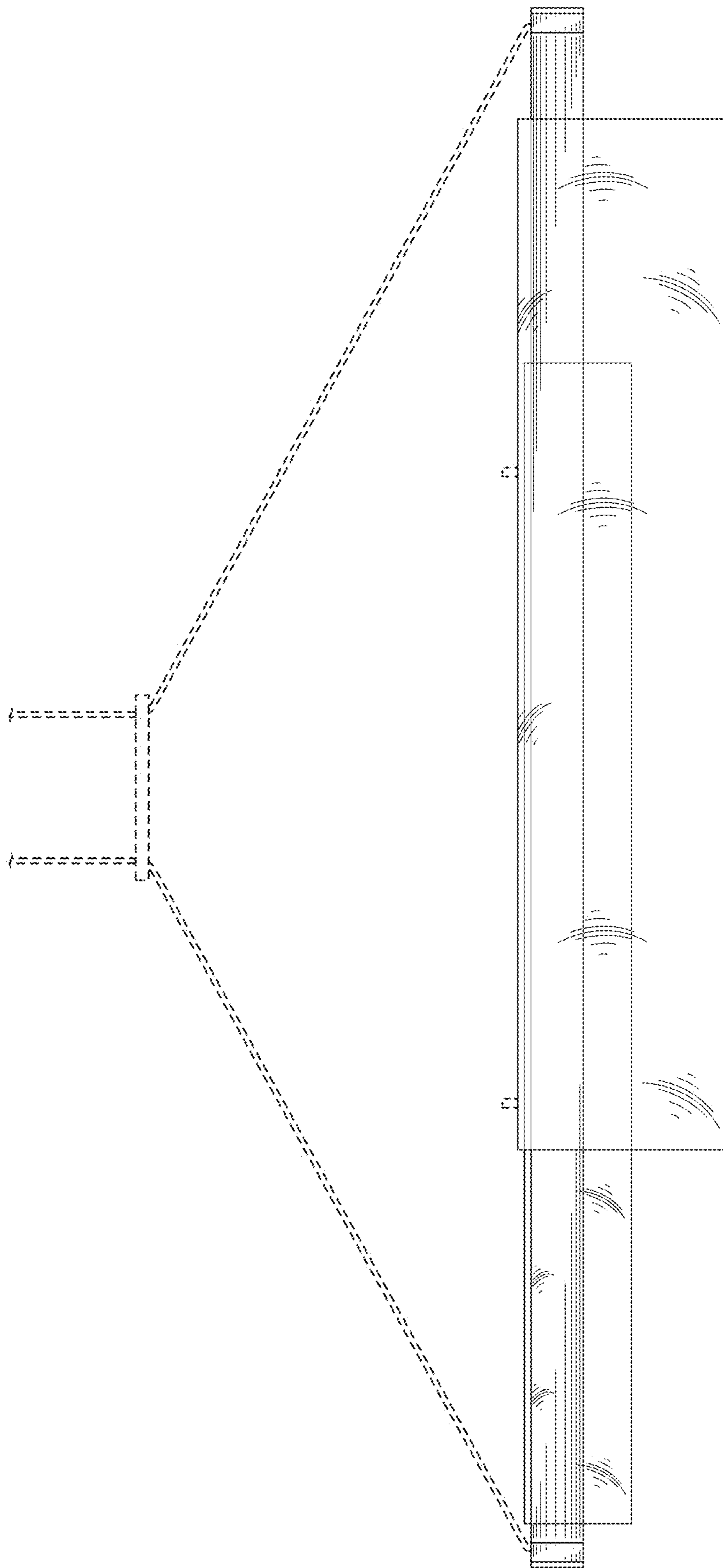


FIG. 4

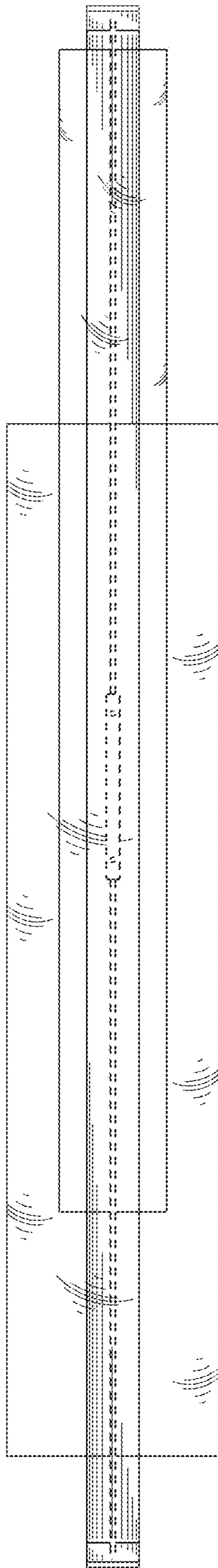


FIG. 5

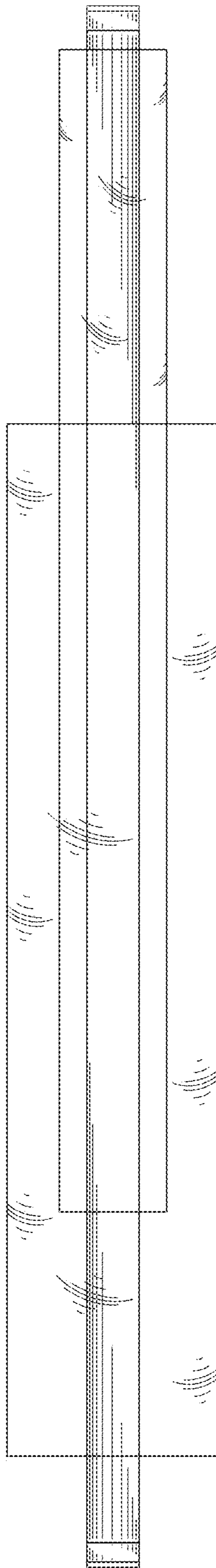


FIG. 6