



US00D874045S

(12) **United States Design Patent**
Rashidi Doust

(10) **Patent No.:** **US D874,045 S**

(45) **Date of Patent:** **** Jan. 28, 2020**

(54) **LIGHT FIXTURE**

(71) Applicant: **ELITE LIGHTING**, Commerce, CA (US)

(72) Inventor: **Hamid Rashidi Doust**, Beverly Hills, CA (US)

(**) Term: **15 Years**

(21) Appl. No.: **29/606,711**

(22) Filed: **Jun. 7, 2017**

(51) **LOC (12) Cl.** **26-05**

(52) **U.S. Cl.**

USPC **D26/74**

(58) **Field of Classification Search**

USPC D26/74, 72, 75, 76, 77, 78, 85, 88, 89, D26/118, 138, 141, 61; 362/364, 365, 362/373, 145, 146, 147, 148, 150, 153, 362/153.1, 294, 296.01, 296, 296.08
CPC F21V 29/2262; F21V 7/06; F21V 21/044; F21V 21/047; F21V 29/2212; F21V 29/2225; F21V 29/2256; F21V 29/225; F21V 29/2268; F21Y 2111/002; F21S 8/02; F21S 8/026

See application file for complete search history.

(56) **References Cited**

U.S. PATENT DOCUMENTS

D624,686 S * 9/2010 Toney, Jr. D26/72
D640,819 S * 6/2011 Pan D26/74

D673,712 S * 1/2013 Patel D26/74
D726,949 S * 4/2015 Redfern D26/74
D779,100 S * 2/2017 Redfern D26/74
D779,101 S * 2/2017 Redfern D26/74
D783,884 S * 4/2017 Li D26/89
D785,225 S * 4/2017 Gan D26/72
D809,696 S * 2/2018 Wheatley D26/74
D820,494 S * 6/2018 Cohen D26/74
D824,073 S * 7/2018 Guo D26/74
2014/0160772 A1* 6/2014 Wu F21S 8/026
362/373

* cited by examiner

Primary Examiner — Angela J Lee

(74) *Attorney, Agent, or Firm* — Payam Moradian

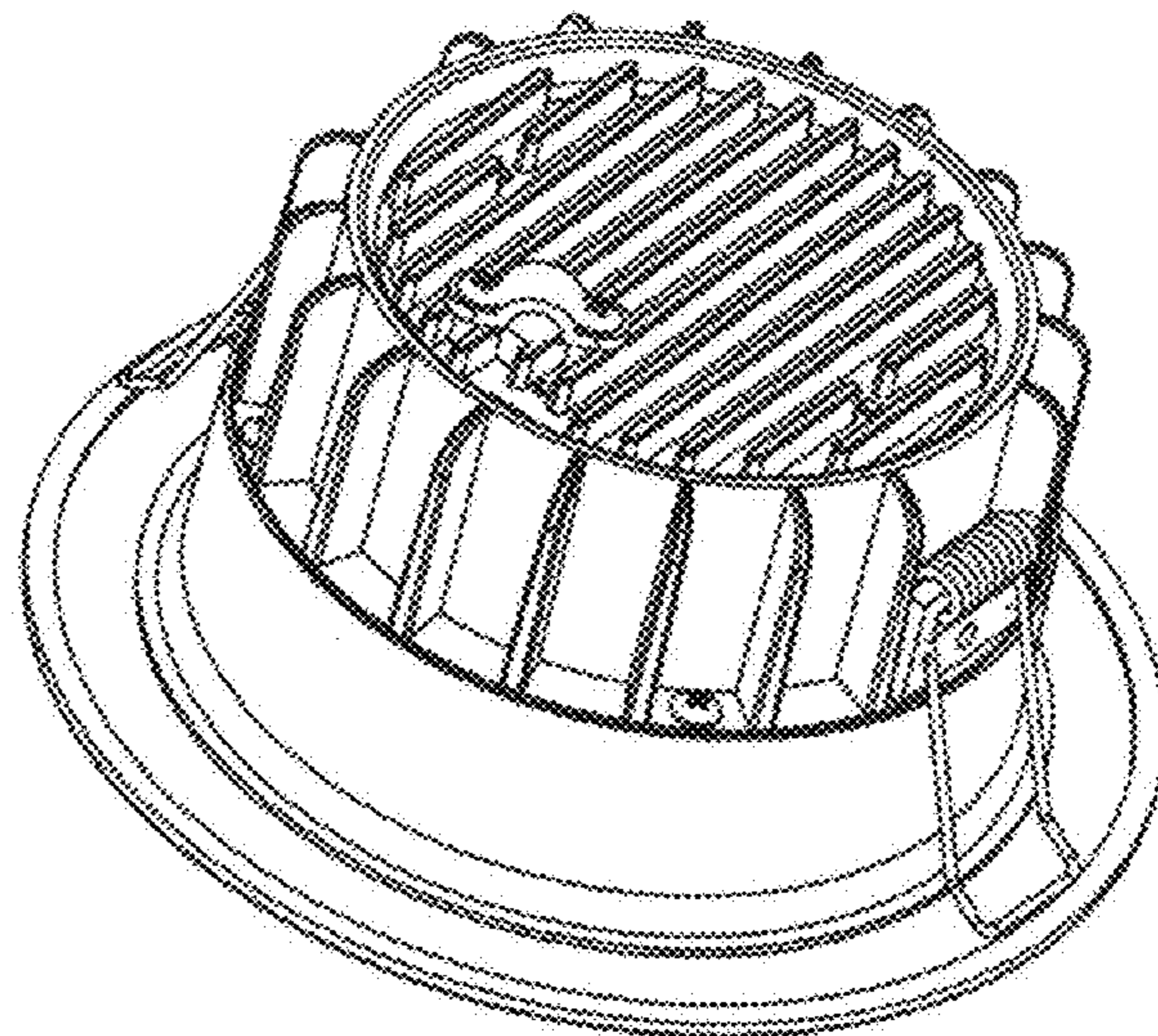
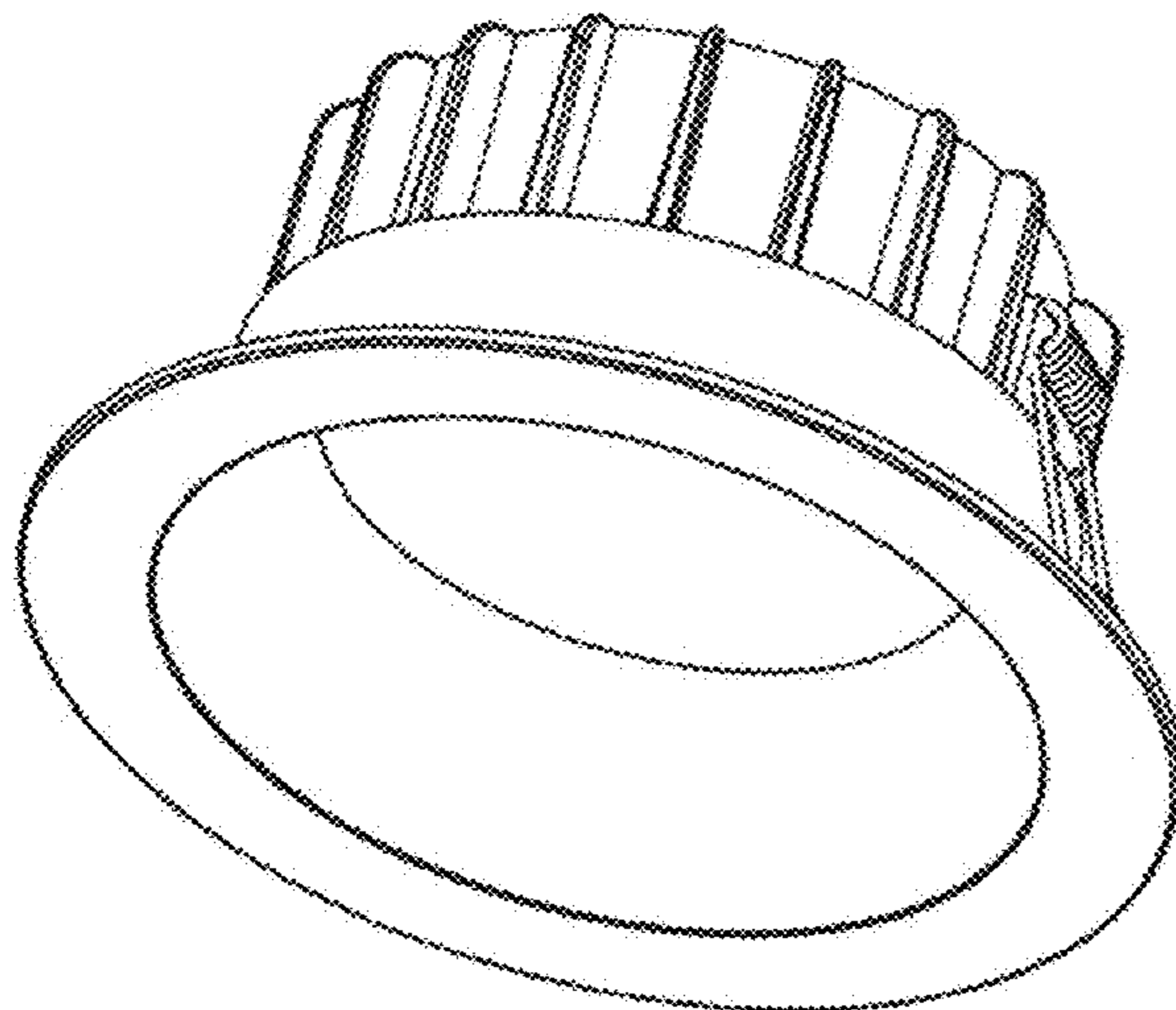
(57) **CLAIM**

I claim the ornamental design for a light fixture, as shown and described.

DESCRIPTION

FIG. 1 is a bottom perspective view of the light fixture according to a second embodiment; FIG. 2 is a bottom plan view thereof; FIG. 3 is a rear side view thereof; FIG. 4 is a front side view thereof; FIG. 5 is a right side view thereof; FIG. 6 is a left side view thereof; FIG. 7 is a top plan view thereof; and, FIG. 8 is a top perspective view thereof.

1 Claim, 8 Drawing Sheets



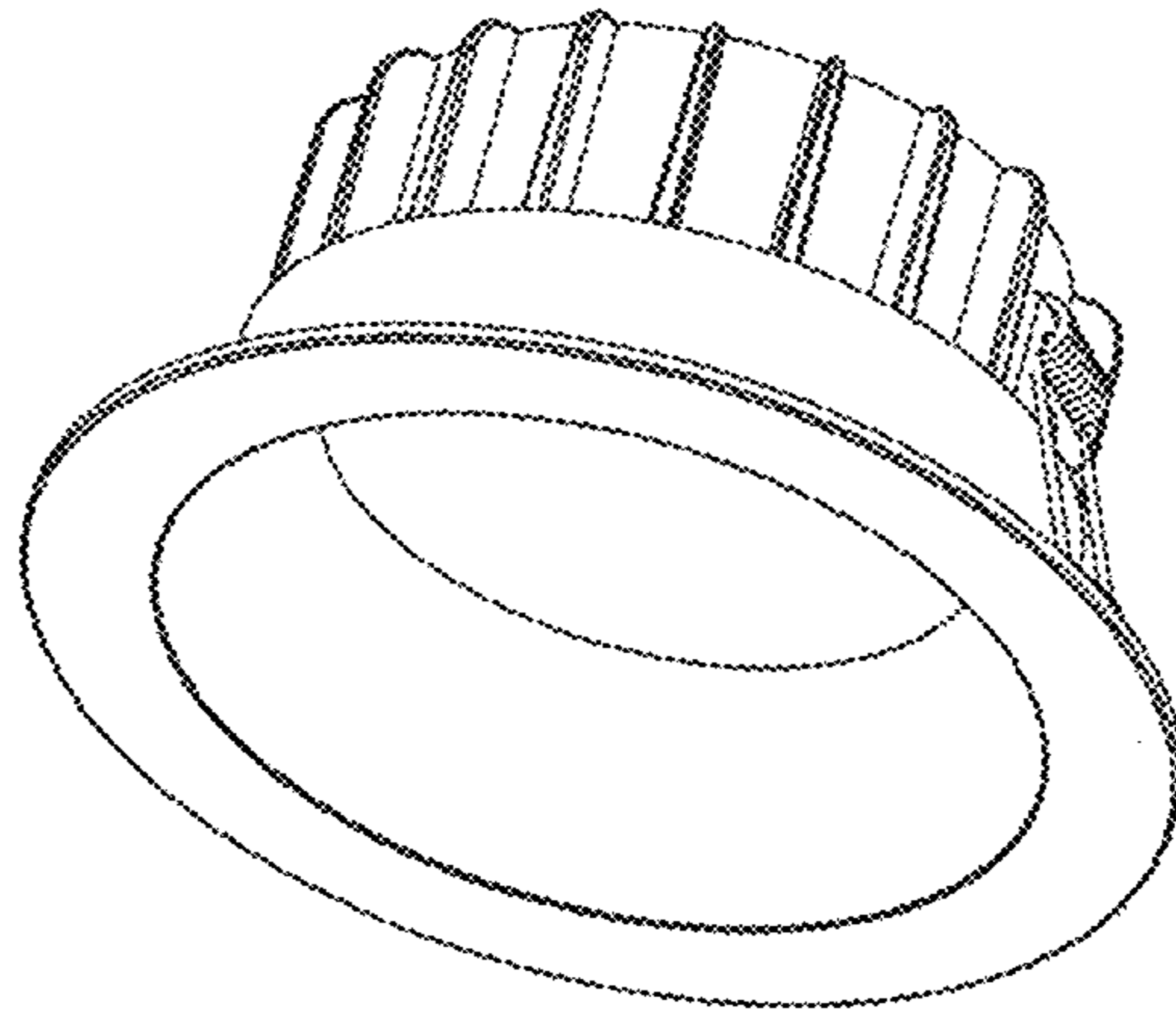


FIG-1

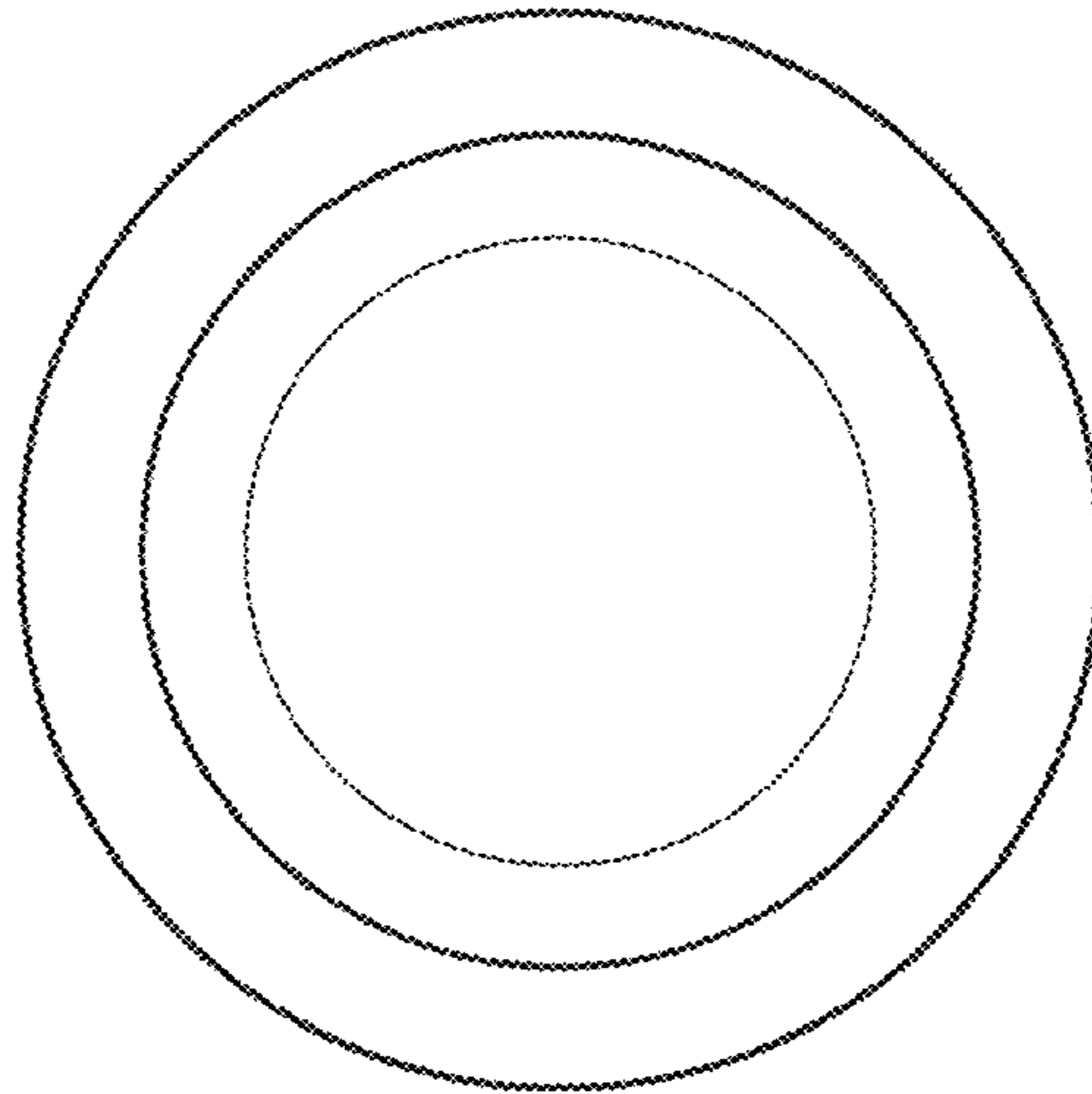


FIG-2

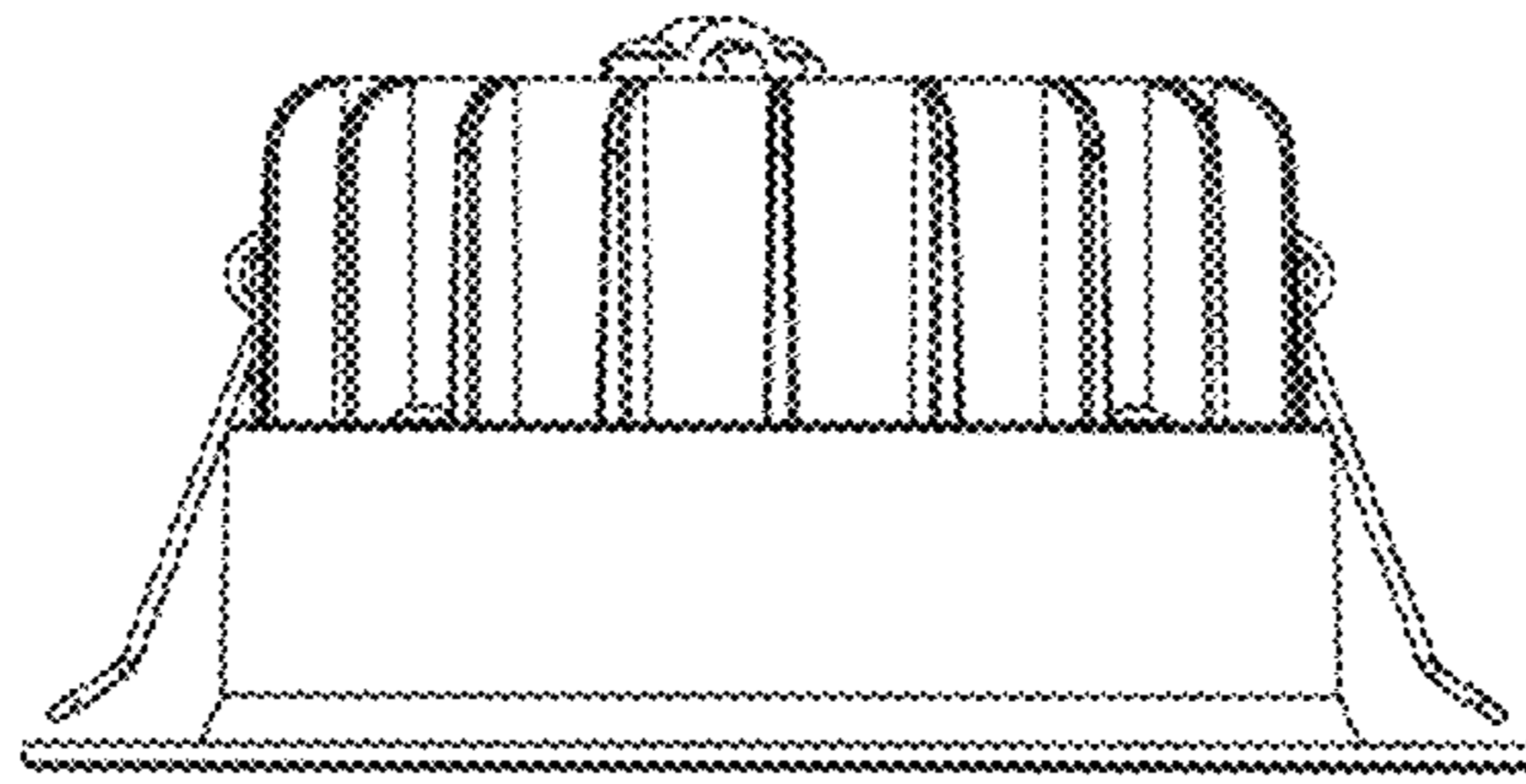


FIG-3

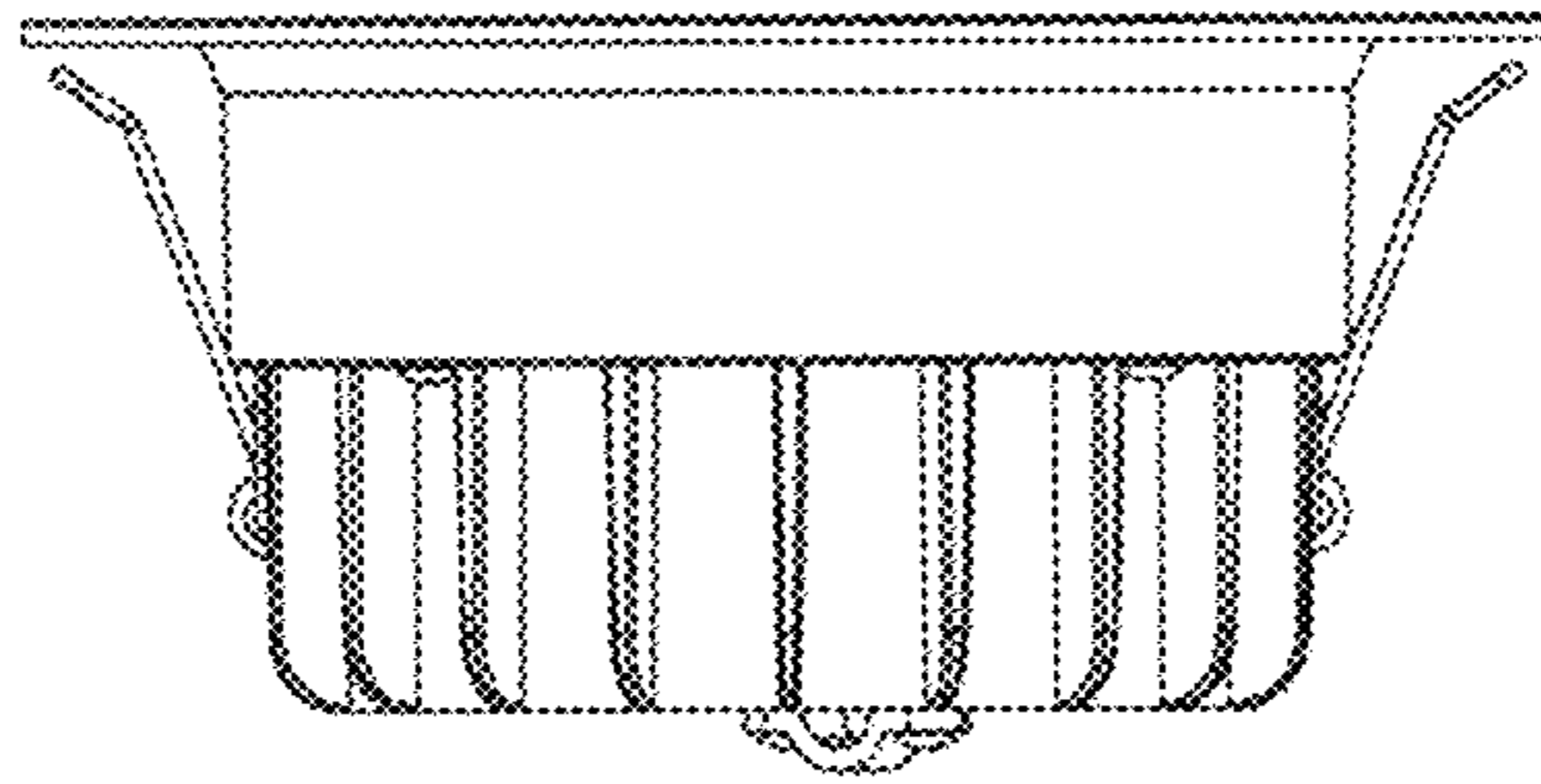


FIG-4

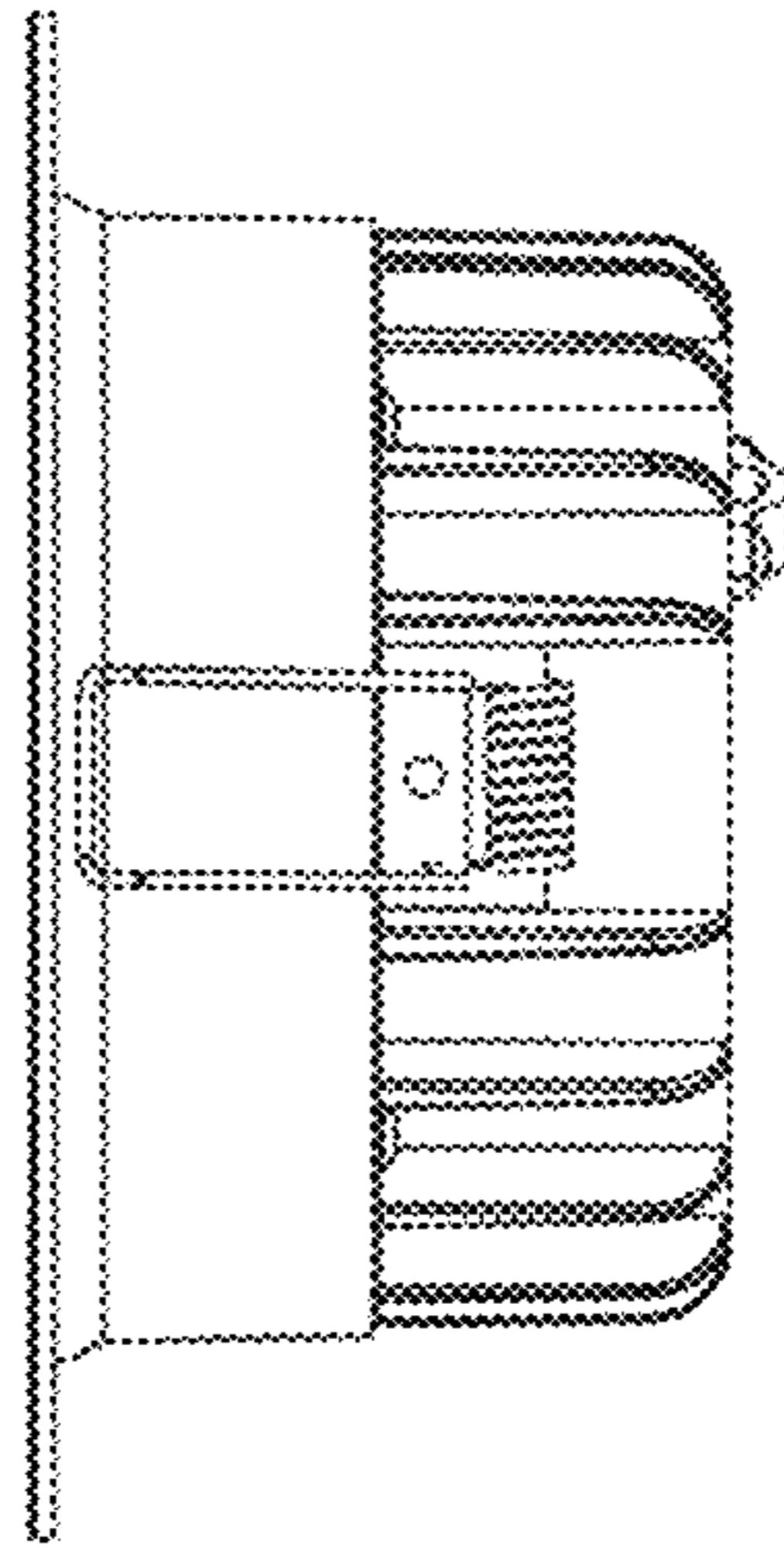


FIG-5

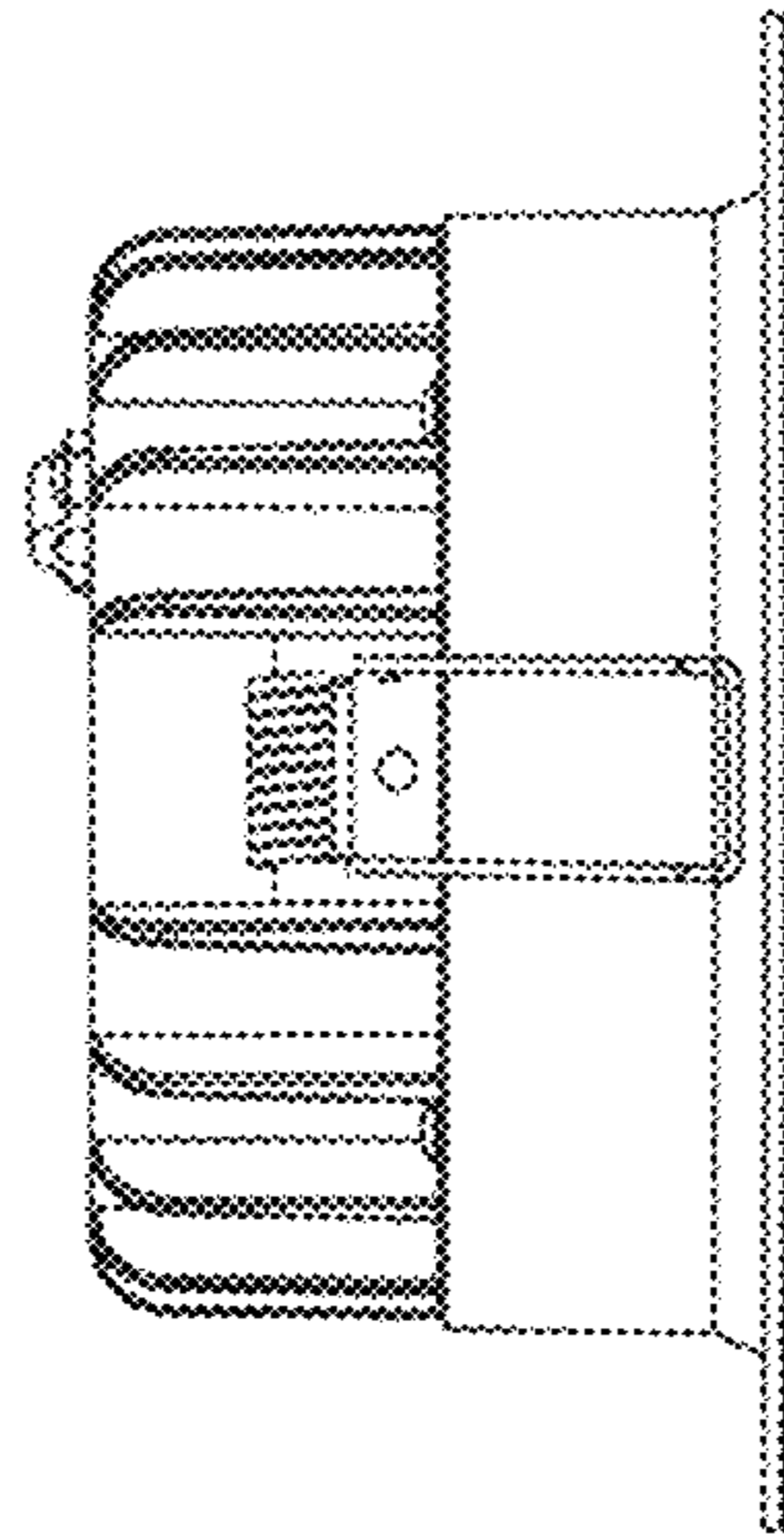


FIG-6

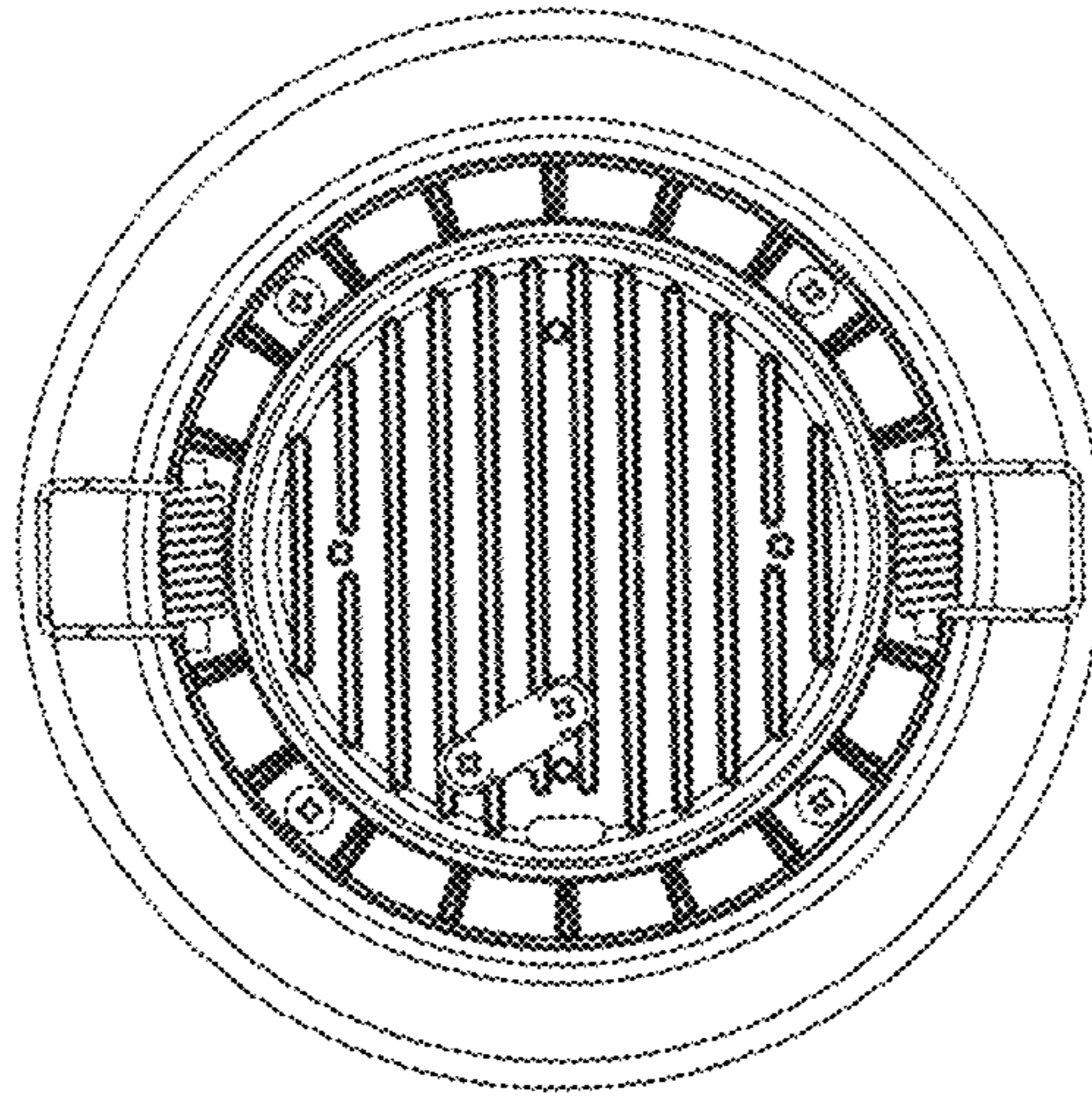


FIG-7

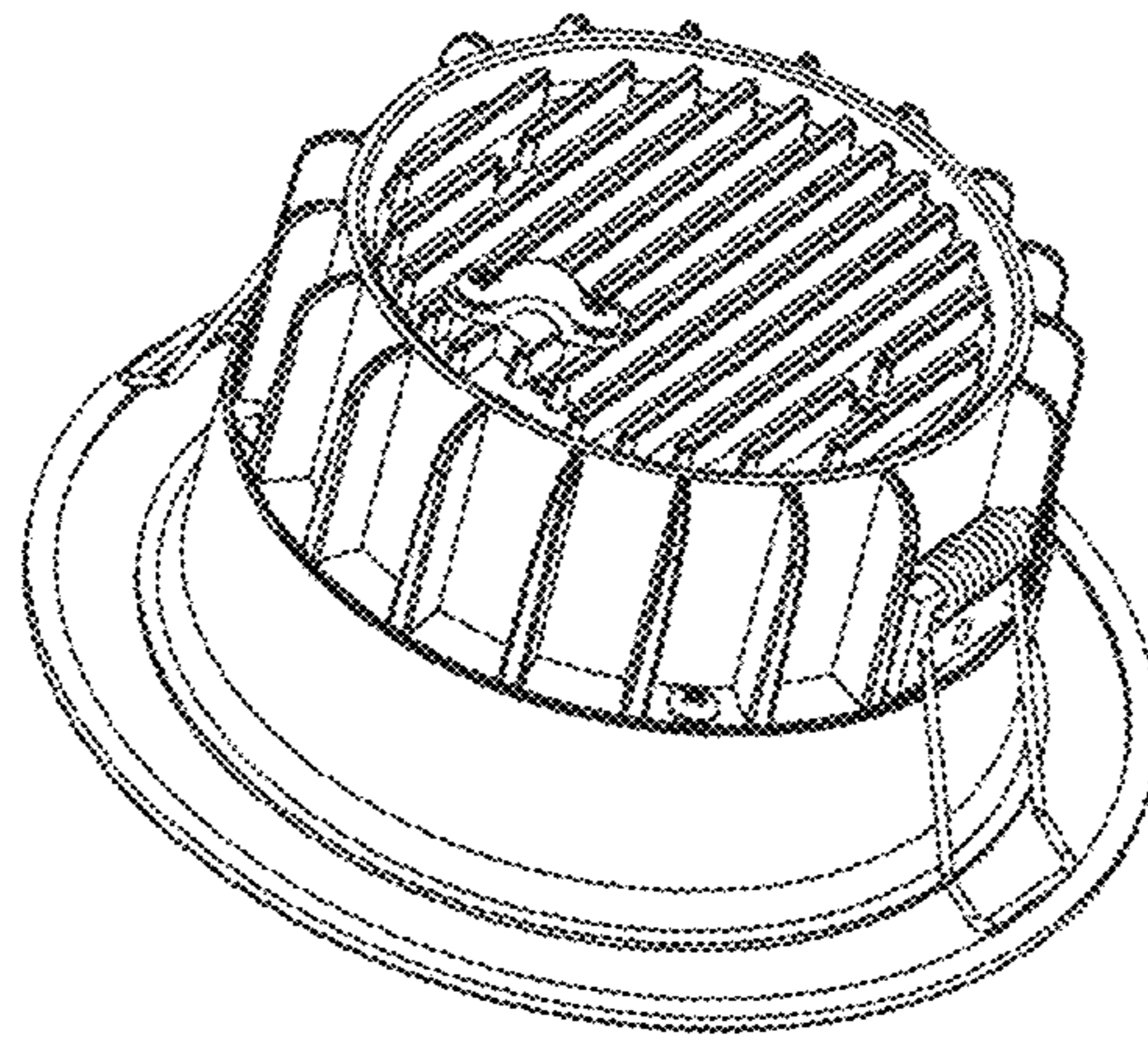


FIG-8