



US00D874043S

(12) **United States Design Patent** (10) **Patent No.:** **US D874,043 S**
Lee (45) **Date of Patent:** **** Jan. 28, 2020**

(54) **FLASHLIGHT**

(71) Applicant: **Wen-Sung Lee**, Taichung (TW)

(72) Inventor: **Wen-Sung Lee**, Taichung (TW)

(**) Term: **15 Years**

(21) Appl. No.: **29/646,643**

(22) Filed: **May 7, 2018**

(51) **LOC (12) Cl.** **26-02**

(52) **U.S. Cl.**
USPC **D26/37**

(58) **Field of Classification Search**
USPC D26/37-51
CPC F21L 2003/00; F21L 4/00; F21L 4/005;
F21L 4/02; F21L 4/025; F21L 4/027;
F21L 4/04; F21L 4/08; F21L 2005/00;
F21L 7/00; F21L 11/00; F21L 13/00;
F21L 13/04; F21L 13/08; F21L 14/02;
F21L 17/00; F21L 19/00; F21L 25/00

See application file for complete search history.

(56) **References Cited**

U.S. PATENT DOCUMENTS

D392,402 S *	3/1998	Chen	D26/37
D409,777 S *	5/1999	Sharrah	D26/44
D417,022 S *	11/1999	Chiu	D26/49
D420,156 S *	2/2000	Poon	D26/38
D535,417 S *	1/2007	Martin	D26/37
D535,418 S *	1/2007	Martin	D26/37
D554,786 S *	11/2007	Rugendyke	D26/49
D601,737 S *	10/2009	Swan	D26/49
D605,795 S *	12/2009	Baker	D26/44
D623,323 S *	9/2010	Kung	D26/45

D681,858 S *	5/2013	Sharrah	D26/45
D712,080 S *	8/2014	Trude	D26/37
D713,077 S *	9/2014	Hao	D26/37
D719,286 S *	12/2014	Inskeep	D26/49
D748,307 S *	1/2016	Matthews	D26/37
D767,184 S *	9/2016	Fitch	D26/44
D818,622 S *	5/2018	Kunzendorf	D26/49
D823,509 S *	7/2018	Kunzendorf	D26/49
D824,060 S *	7/2018	Kunzendorf	D26/45
D833,050 S *	11/2018	Prieto	D26/49
D833,661 S *	11/2018	Ma	D26/45

* cited by examiner

Primary Examiner — Lakiya G Rogers

Assistant Examiner — Carissa C Fitts

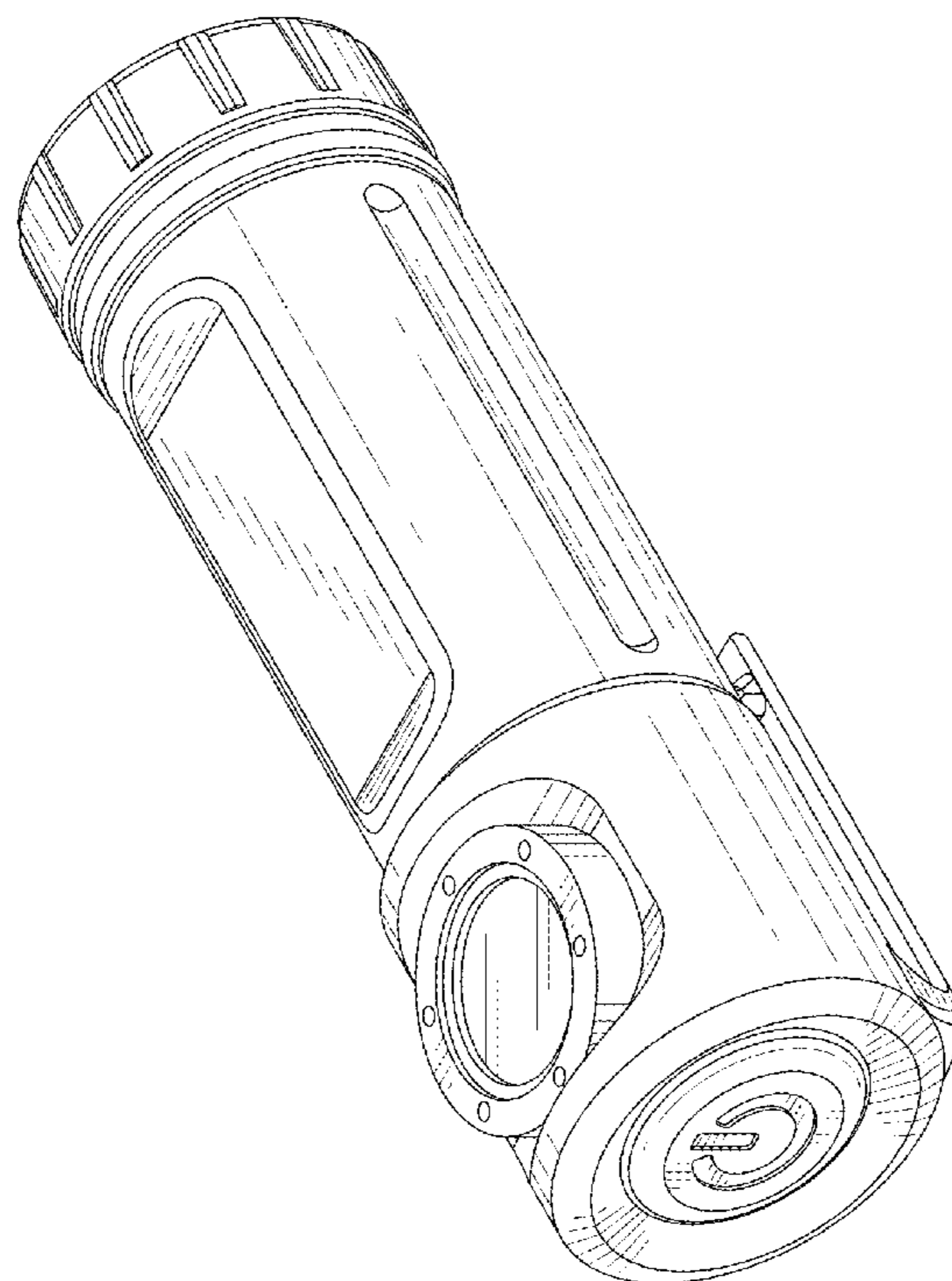
(57) **CLAIM**

The ornamental design for a flashlight, as shown and described.

DESCRIPTION

FIG. 1 is a front-right-top perspective view of the flashlight showing my new design;
FIG. 2 is a front elevational view thereof;
FIG. 3 is a rear front elevational view thereof;
FIG. 4 is a left side elevational view thereof;
FIG. 5 is a right side elevational view thereof;
FIG. 6 is a top plan view thereof;
FIG. 7 is a bottom plan view thereof;
FIG. 8 is a view showing the application thereof; and,
FIG. 9 is a view showing the application thereof.
The broken lines in the FIGS. 8-9 illustrate portions of the flashlight which form no part of the claimed design.

1 Claim, 8 Drawing Sheets



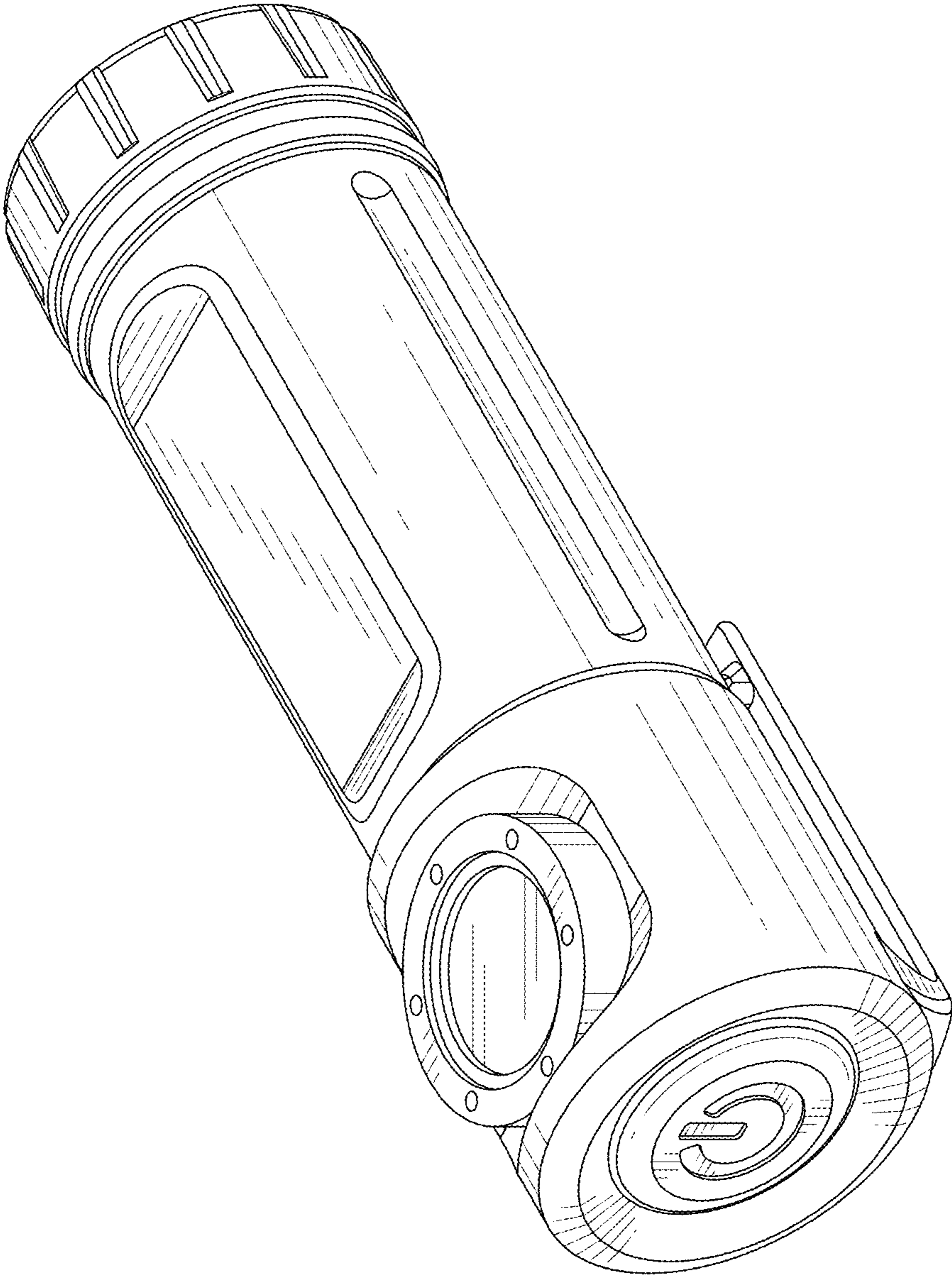


FIG.1

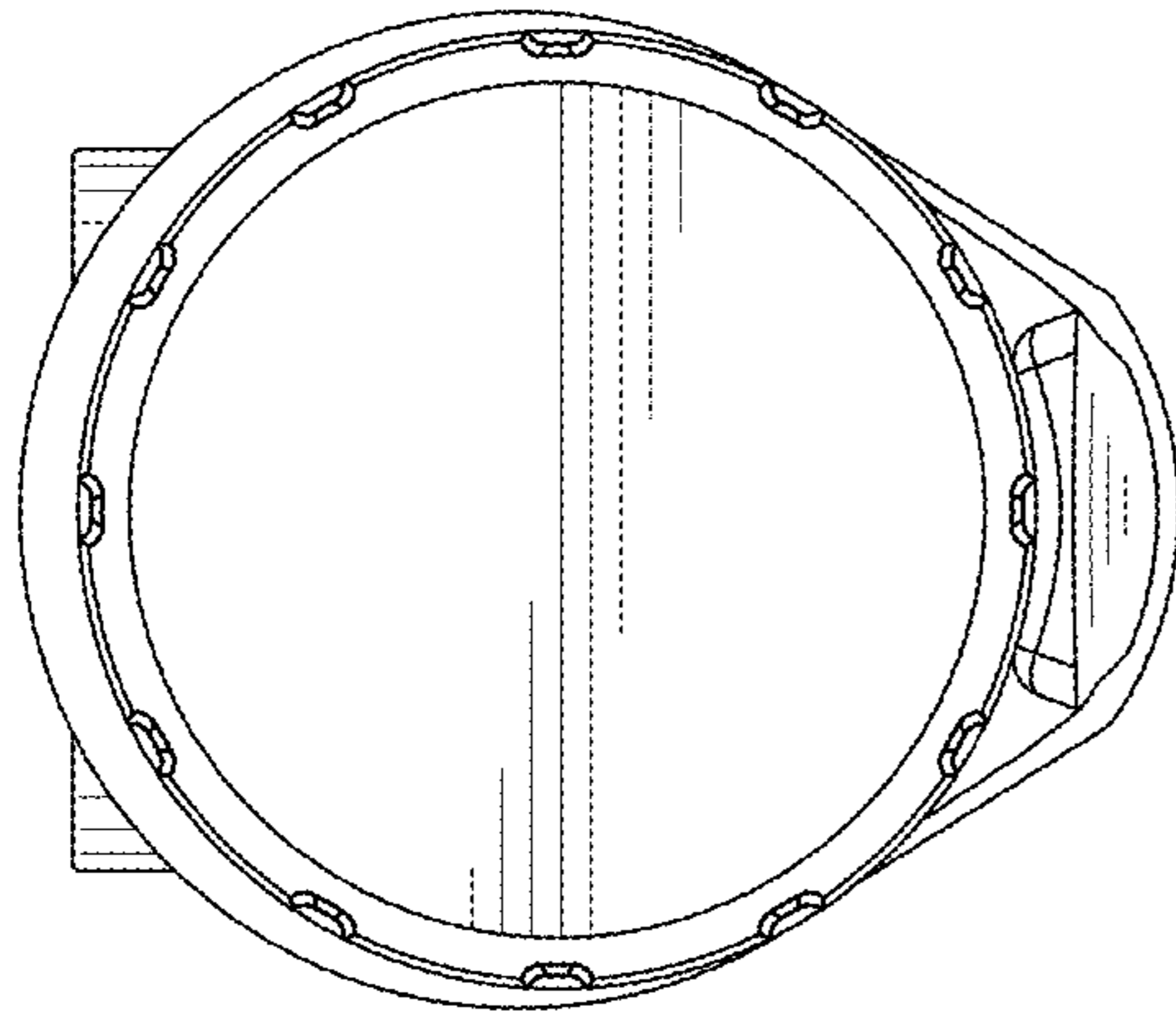


FIG.2

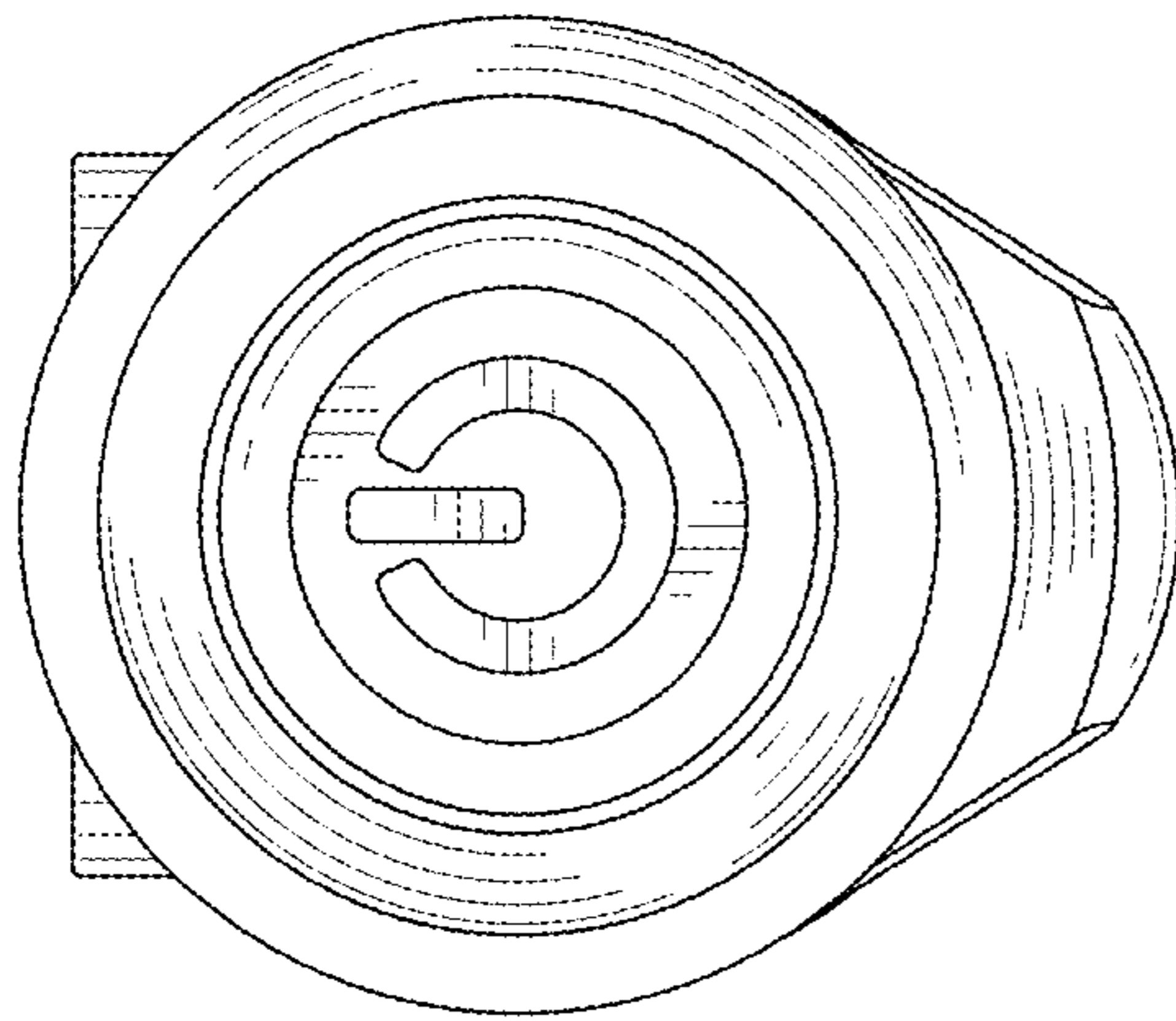


FIG.3

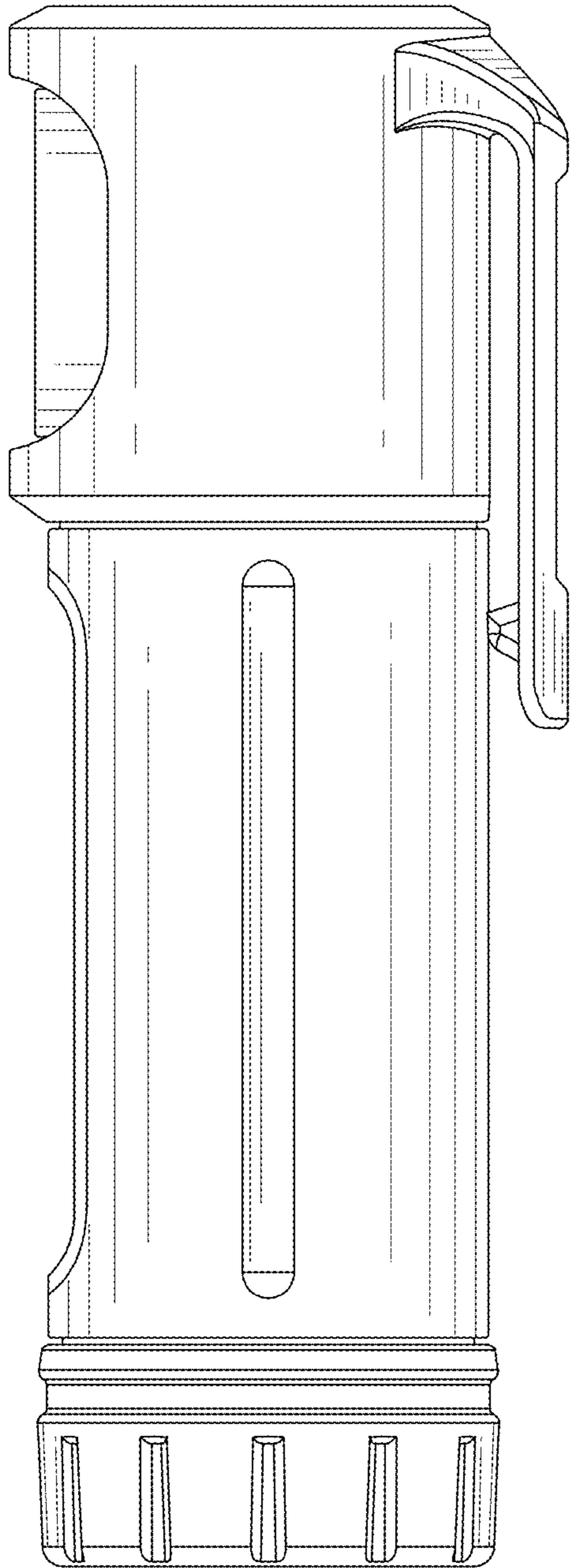


FIG.4

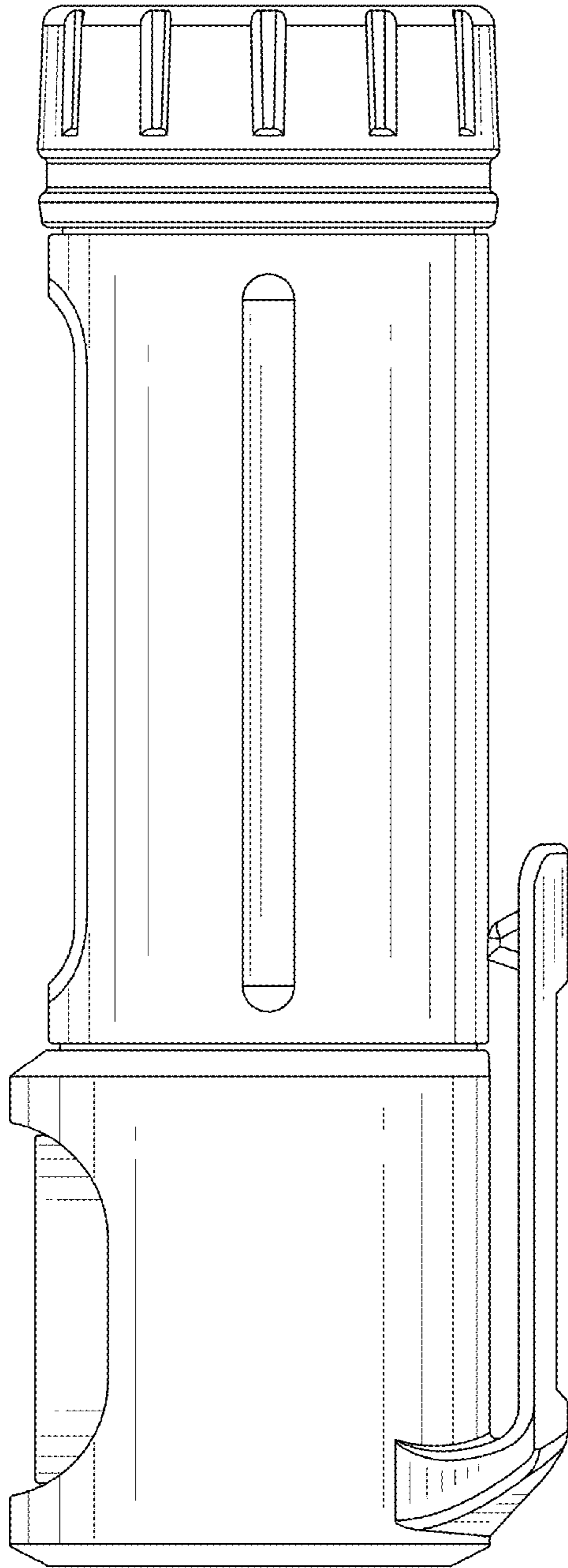


FIG.5

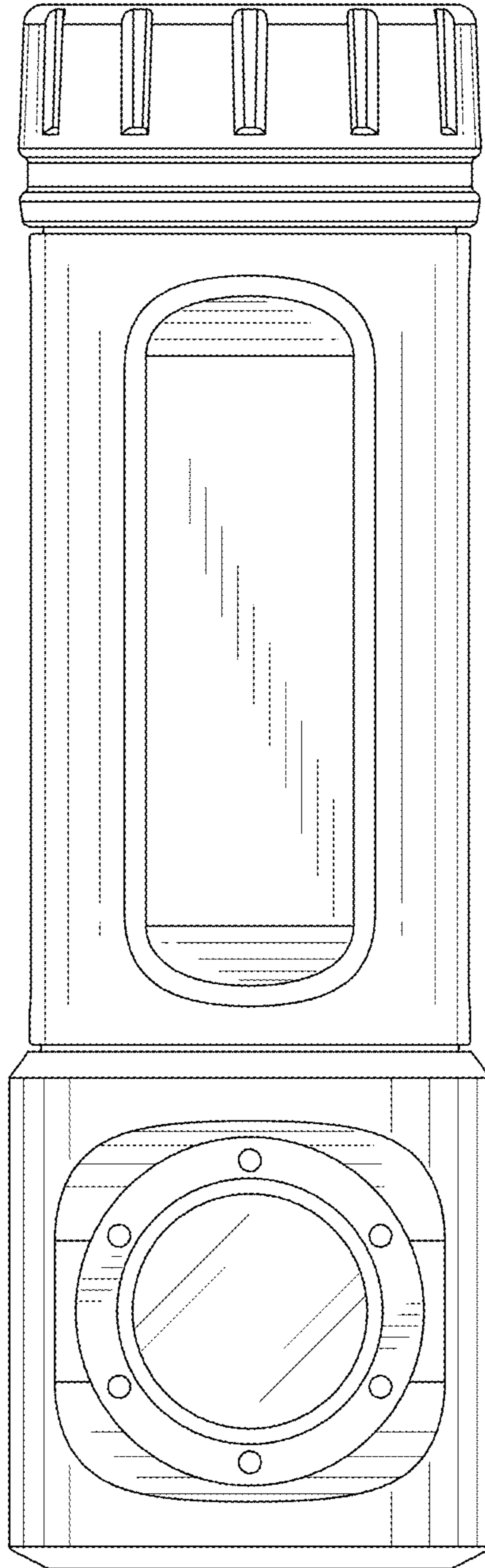


FIG.6

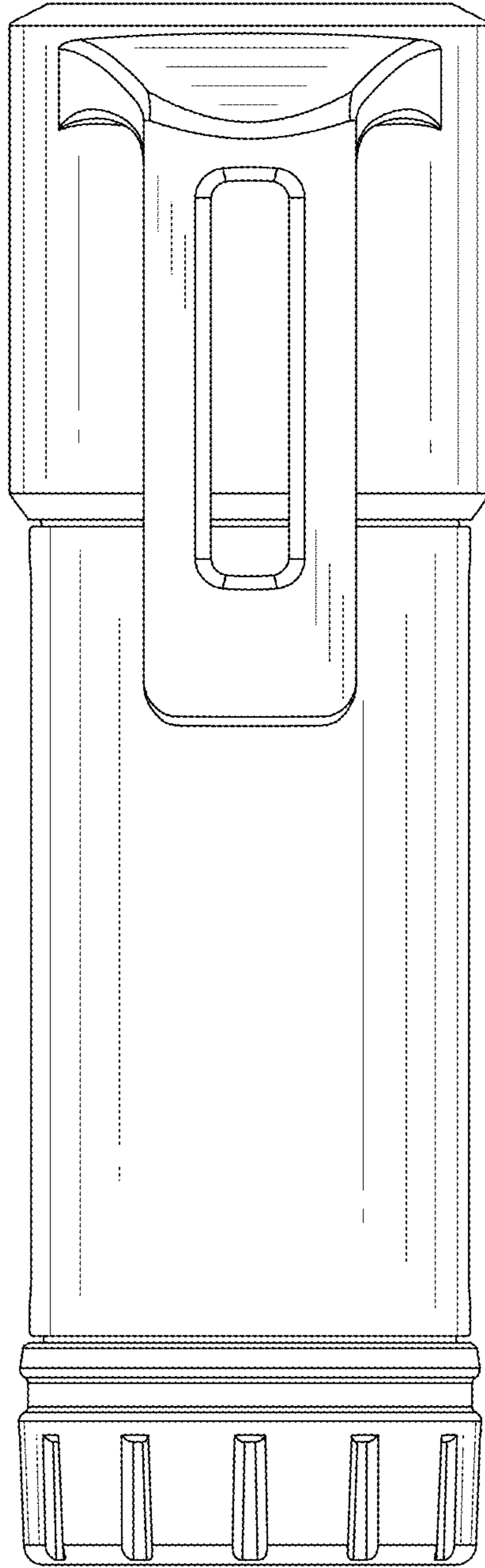


FIG.7

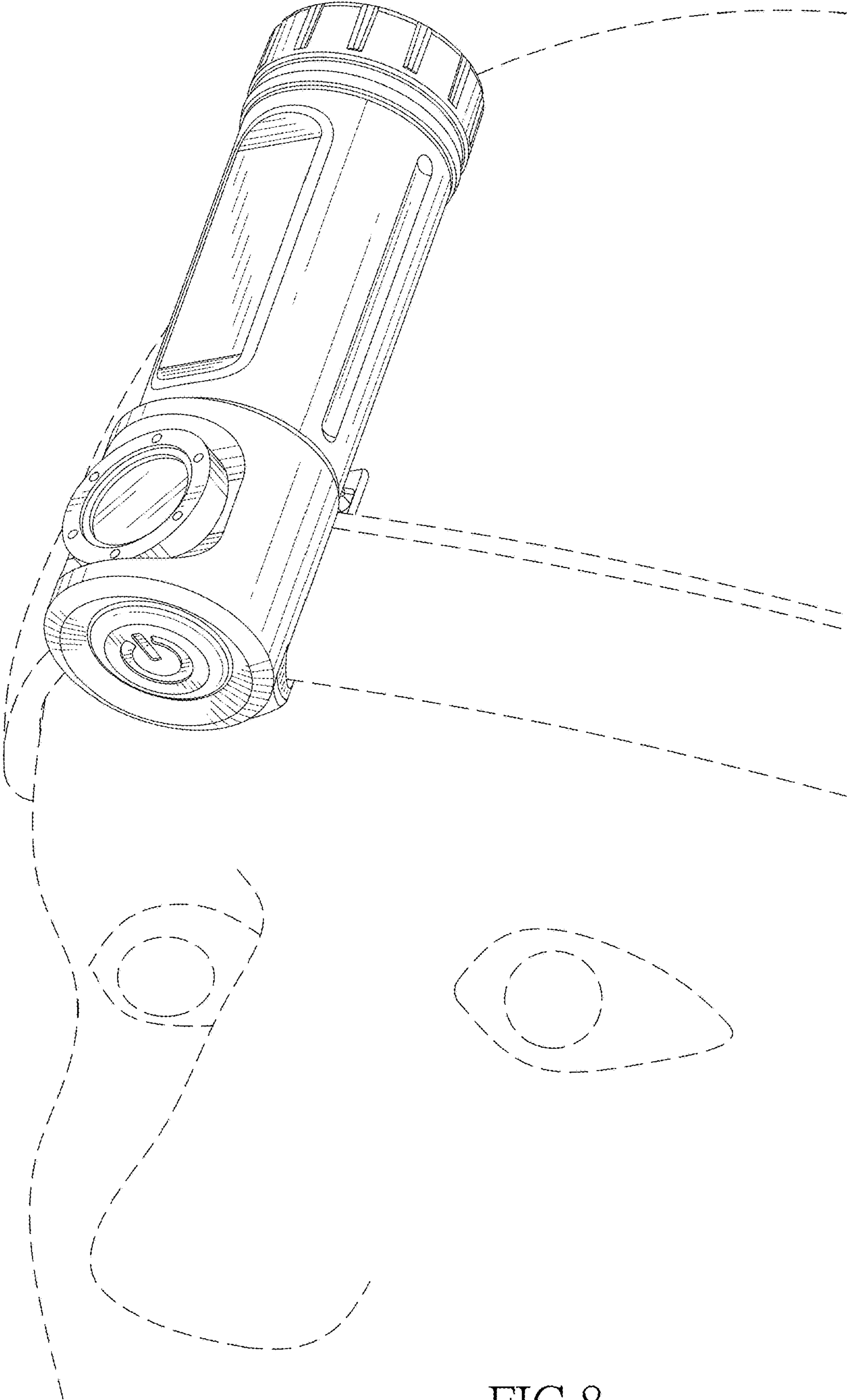


FIG.8

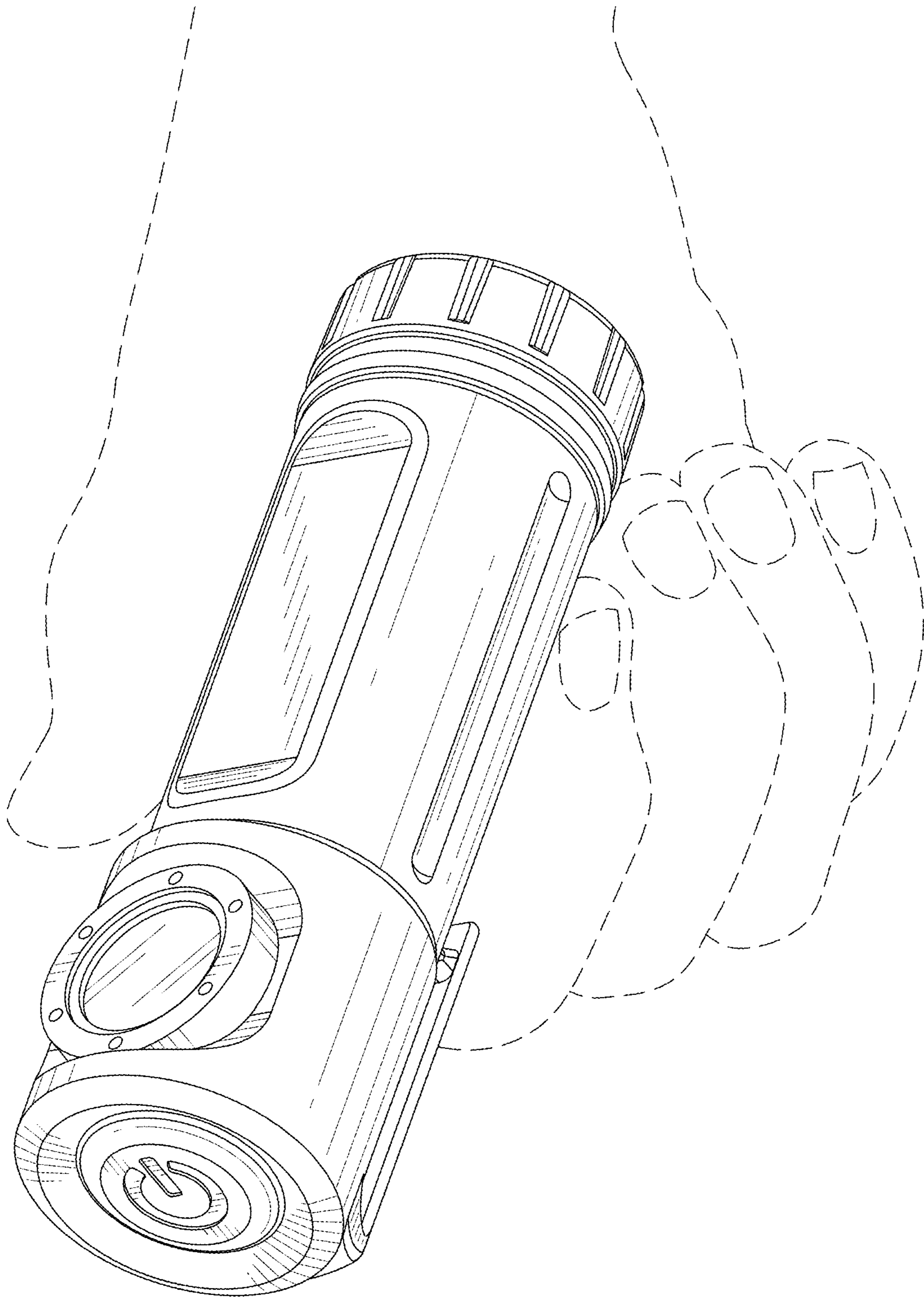


FIG.9