



US00D874042S

(12) **United States Design Patent** (10) **Patent No.:** **US D874,042 S**
Lee et al. (45) **Date of Patent:** **** Jan. 28, 2020**

(54) **REAR COMBINATION LAMP FOR VEHICLES**

F21V 21/04; B60Q 1/30; B60Q 1/2607; B60Q 1/2696; B62J 6/00; B62J 6/04

See application file for complete search history.

(71) Applicants: **HYUNDAI MOTOR COMPANY**, Seoul (KR); **KIA MOTORS CORPORATION**, Seoul (KR)

(56) **References Cited**

U.S. PATENT DOCUMENTS

(72) Inventors: **Sangmin Lee**, Seoul (KR); **Yoonjung Park**, Hwaseong-si (KR)

D604,874 S *	11/2009	Golden	D26/28
D624,218 S *	9/2010	Nakai	D26/28
D630,779 S *	1/2011	Koizumi	D26/28
D631,177 S *	1/2011	Yang	D26/28
D703,847 S *	4/2014	MacKay	D26/28
D705,963 S *	5/2014	Sa	D26/28
D735,911 S *	8/2015	O'Donnell	D26/28
D743,064 S *	11/2015	Lai	D26/28
D744,678 S *	12/2015	Lai	D26/28
D745,725 S *	12/2015	McMahan	D26/28
D749,246 S *	2/2016	Thole	D26/28
D803,438 S *	11/2017	Badstuebner	D26/28
D807,547 S *	1/2018	Lin	D26/28
D823,497 S *	7/2018	Kim	D26/28

(Continued)

(73) Assignees: **Hyundai Motor Company**, Seoul (KR); **Kia Motors Corporation**, Seoul (KR)

Primary Examiner — Natasha Vujcic

(**) Term: **15 Years**

(74) *Attorney, Agent, or Firm* — Mintz Levin Cohn Ferris Glovsky and Popeo, P.C.; Peter F. Corless; Carolina E. Säve

(21) Appl. No.: **35/506,323**

(22) Filed: **Jul. 13, 2018**

(80) **Hague Agreement Data**

Int. Filing Date: **Jul. 13, 2018**
Int. Reg. No.: **DM/102117**
Int. Reg. Date: **Jul. 13, 2018**
Int. Reg. Pub. Date: **Jan. 18, 2019**

(57) **CLAIM**

The ornamental design for a rear combination lamp for vehicles, as shown and described.

(30) **Foreign Application Priority Data**

Jan. 31, 2018 (KR) 30-2018-0005260

(51) **LOC (12) Cl.** **26-06**

(52) **U.S. Cl.**
USPC **D26/28**

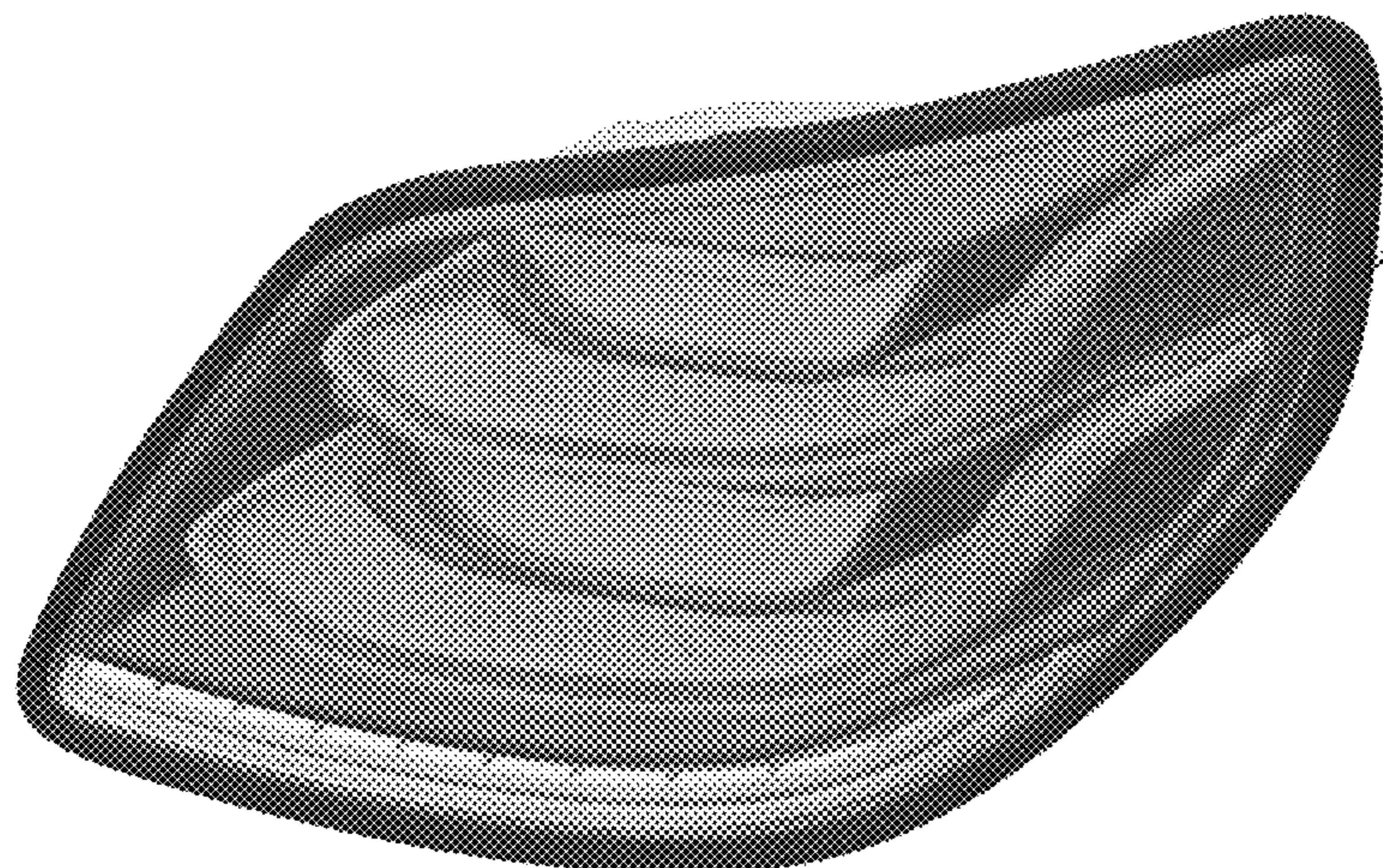
(58) **Field of Classification Search**
USPC D26/28
CPC F21S 48/00; F21S 48/10; F21S 48/115; F21S 48/225; F21S 48/1233; F21S 48/1266; F21S 48/1388; F21S 48/2266;

DESCRIPTION

- 1. Rear combination lamp for vehicles
- 1.1 : Perspective
- 1.2 : Front
- 1.3 : Back
- 1.4 : Left
- 1.5 : Right
- 1.6 : Top
- 1.7 : Bottom

1.1 is a perspective view of a rear combination lamp for vehicles showing our new design; 1.2 is a front elevation view thereof; 1.3 is a rear elevation view thereof; 1.4 is a left

(Continued)



side elevation view thereof; 1.5 is a right side elevation view thereof; 1.6 is a top plan view thereof; and 1.7 is a bottom plan view thereof.

1 Claim, 7 Drawing Sheets

(56)

References Cited

U.S. PATENT DOCUMENTS

D850,677 S * 6/2019 Lin D26/28
D852,997 S * 7/2019 Takahashi D26/28

* cited by examiner

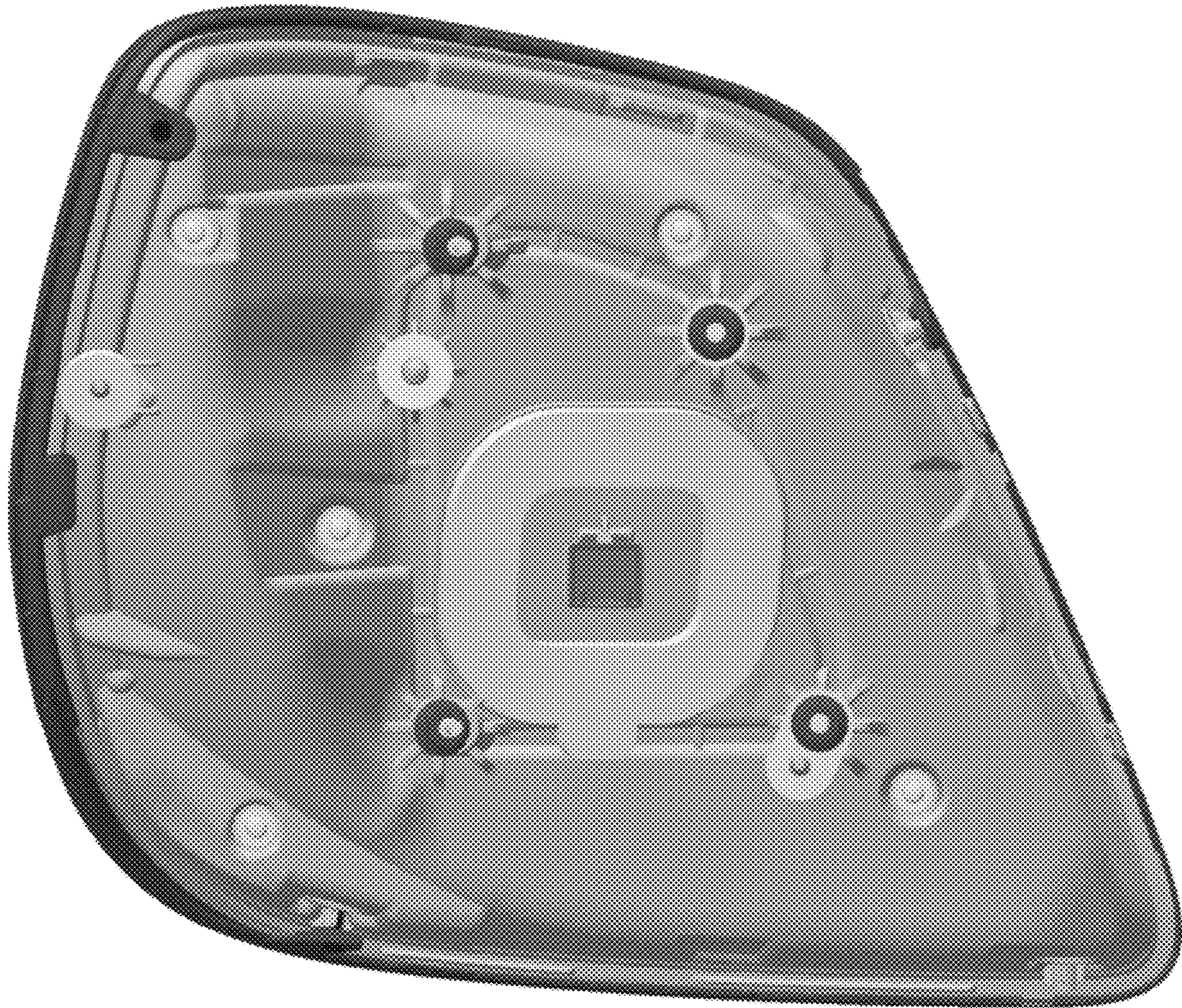
1.1



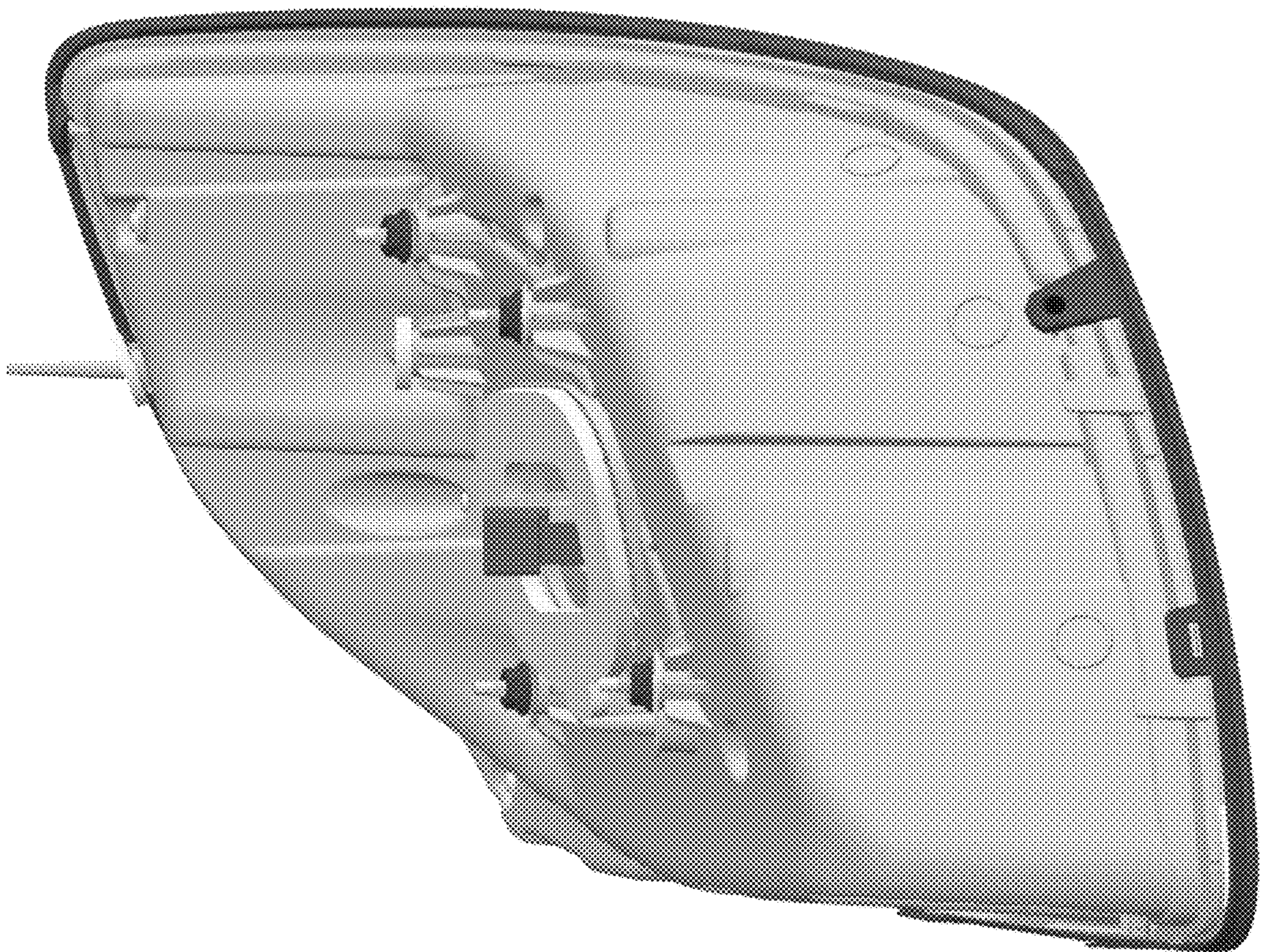
1.2



1.3



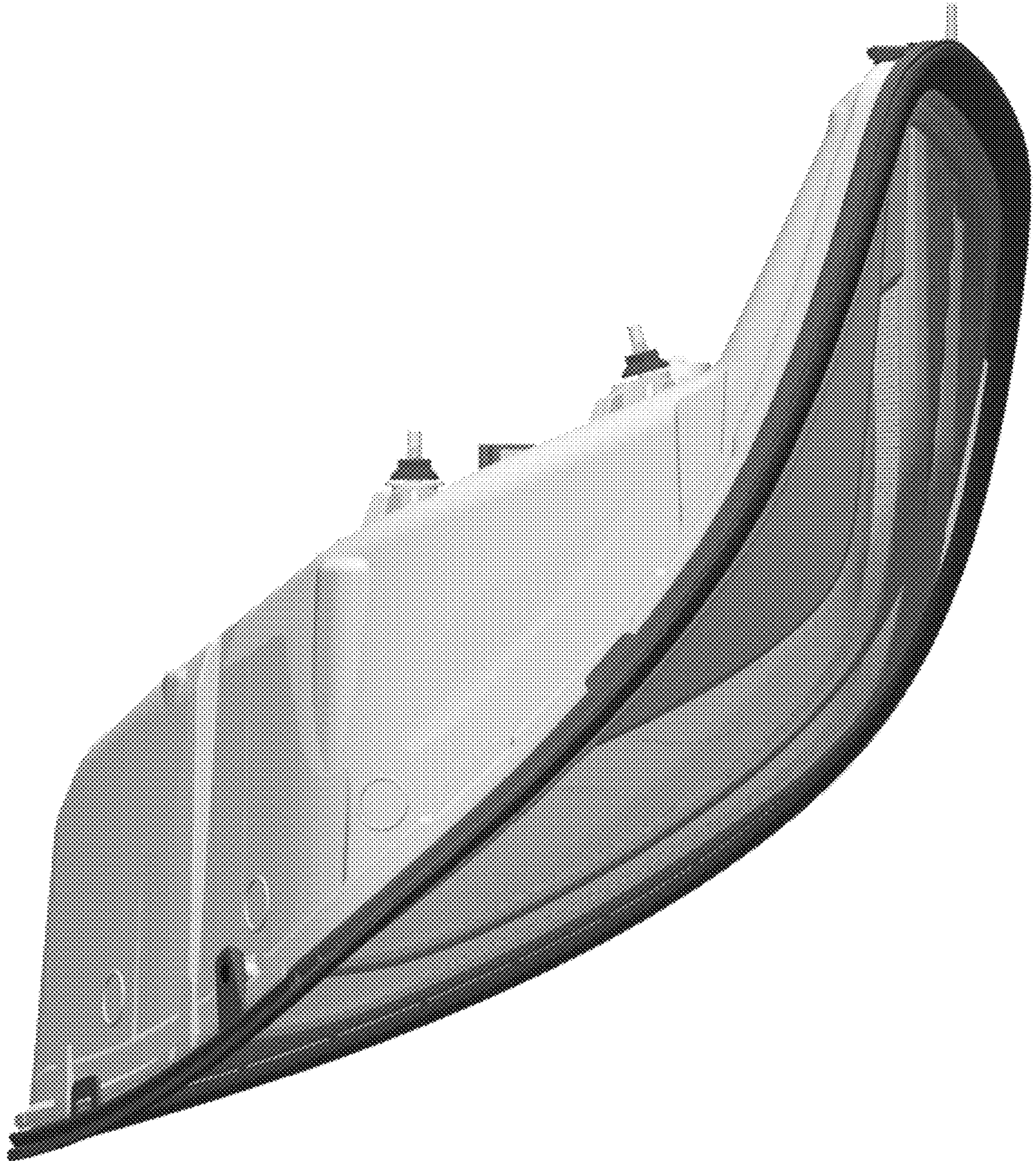
1.4



1.5



1.6



1.7

