



US00D874041S

(12) **United States Design Patent**
Craze

(10) **Patent No.:** **US D874,041 S**

(45) **Date of Patent:** **** Jan. 28, 2020**

(54) **AUXILIARY VEHICLE LIGHT**

FOREIGN PATENT DOCUMENTS

(71) Applicant: **Ironman 4x4 Pty Ltd**, Dandenong South (AU)

CN	2017030461127-001	2/2018
CN	201830297527.4	1/2019
JP	1161478	12/2002

(72) Inventor: **Adam Craze**, Dandenong South (AU)

* cited by examiner

(73) Assignee: **Ironman 4x4 Pty Ltd**, Dandenong South (AU)

Primary Examiner — Marcus A Jackson

(**) Term: **15 Years**

(74) *Attorney, Agent, or Firm* — Kelley Drye & Warren LLP

(21) Appl. No.: **29/698,625**

(22) Filed: **Jul. 18, 2019**

(30) **Foreign Application Priority Data**

Mar. 4, 2019 (AU) 201911148

(51) **LOC (12) Cl.** **26-06**

(52) **U.S. Cl.**
USPC **D26/28**

(58) **Field of Classification Search**
USPC D26/28–36, 139
CPC F21S 48/00; F21S 48/10; F21S 48/115;
F21S 48/225; F21S 48/1233; F21S 48/1266; F21S 48/1388; F21S 48/2268;
F21V 21/04; F21V 13/00; F21V 29/004
See application file for complete search history.

(56) **References Cited**

U.S. PATENT DOCUMENTS

D354,362 S *	1/1995	Tsai	D26/28
D357,329 S *	4/1995	Iacovelli	D26/28
D390,979 S *	2/1998	Yamamoto	D26/28

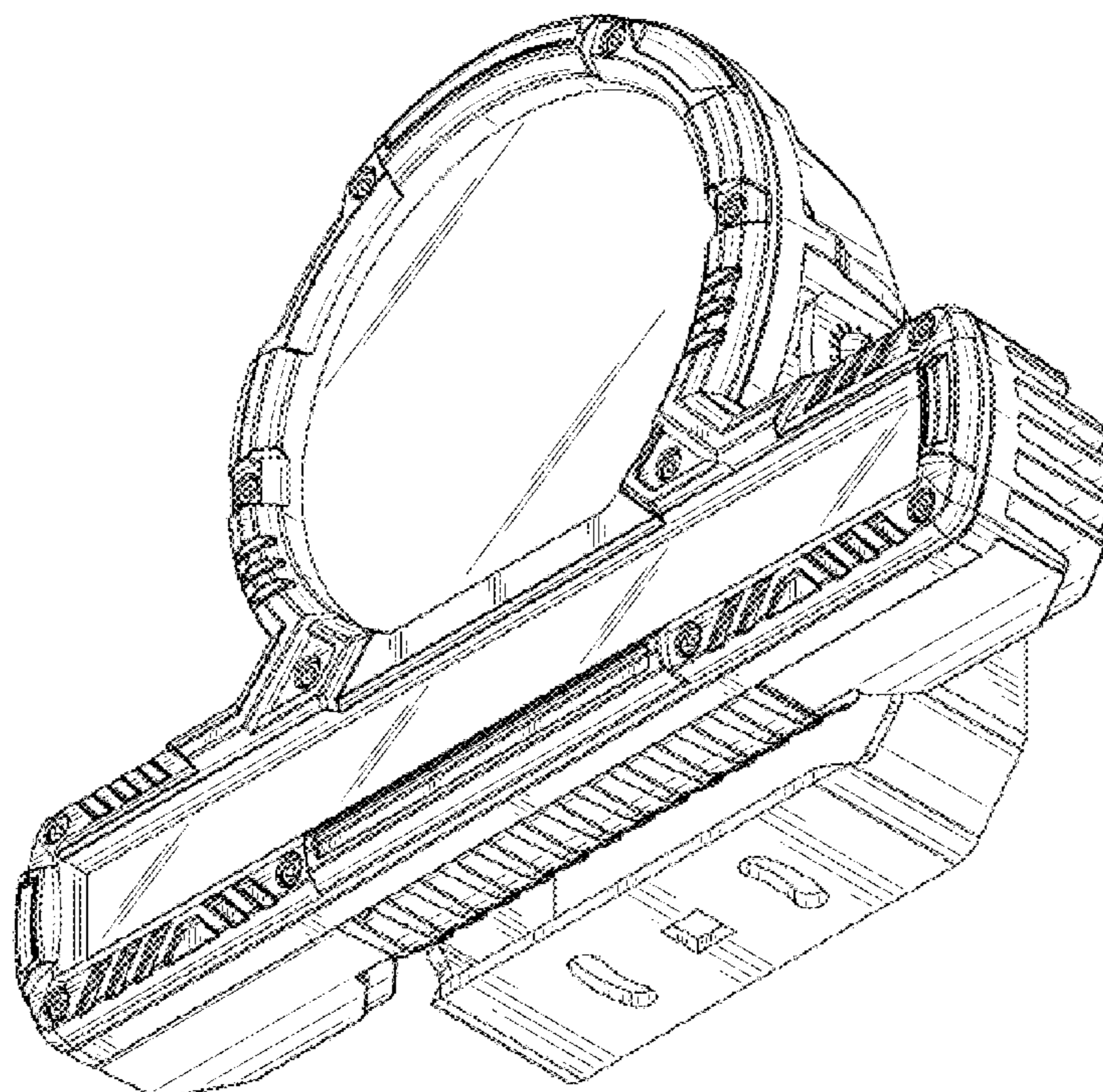
(57) **CLAIM**

The ornamental design for a auxiliary vehicle light, as shown and described.

DESCRIPTION

FIG. 1 is a front isometric view thereof;
FIG. 2 is a left side elevational view thereof;
FIG. 3 is a right side elevational view thereof;
FIG. 4 is a front elevational view thereof;
FIG. 5 is a rear elevational view thereof;
FIG. 6 is a top plan view thereof; and,
FIG. 7 is a bottom plan view thereof.

1 Claim, 7 Drawing Sheets



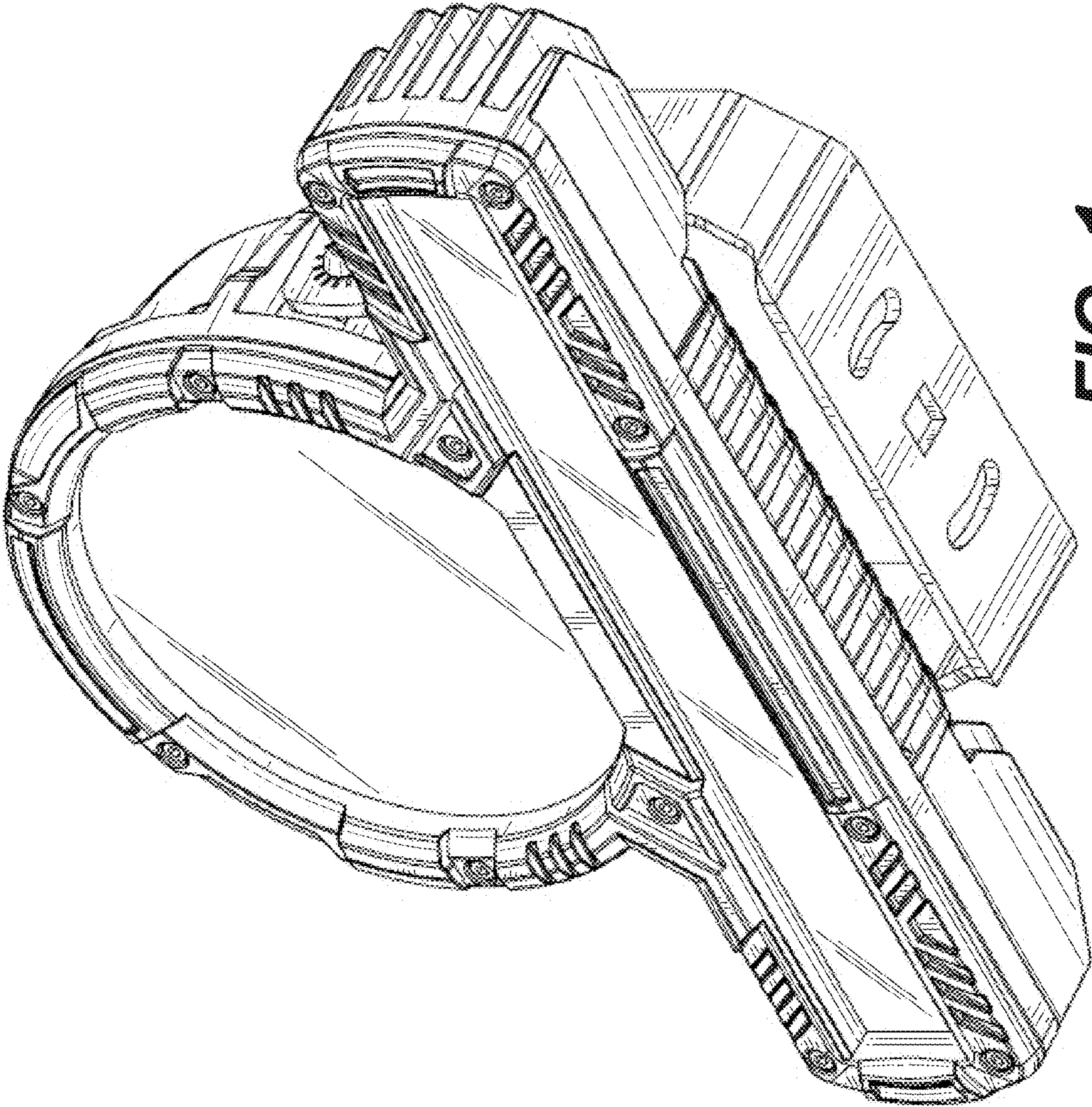


FIG. 1

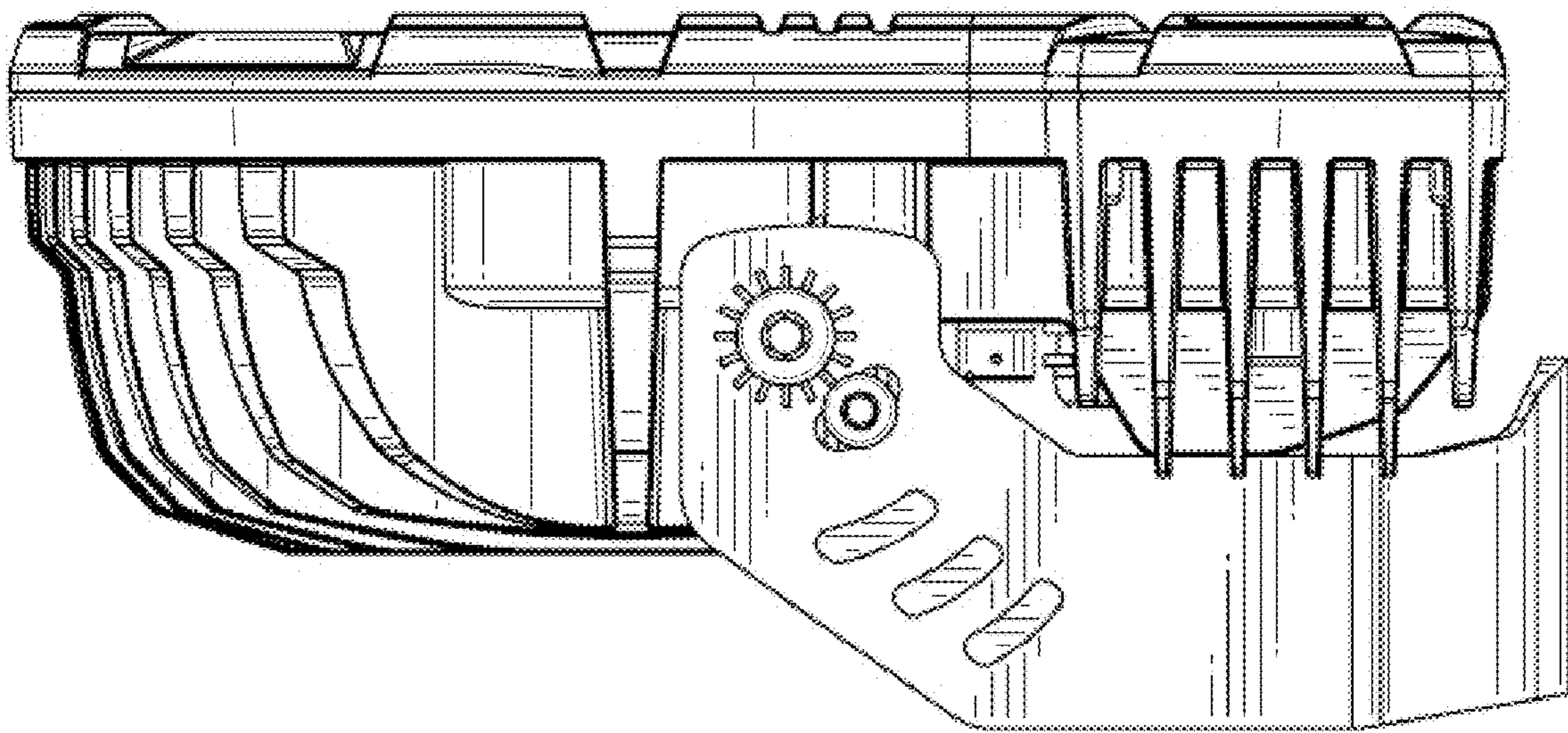


FIG. 2

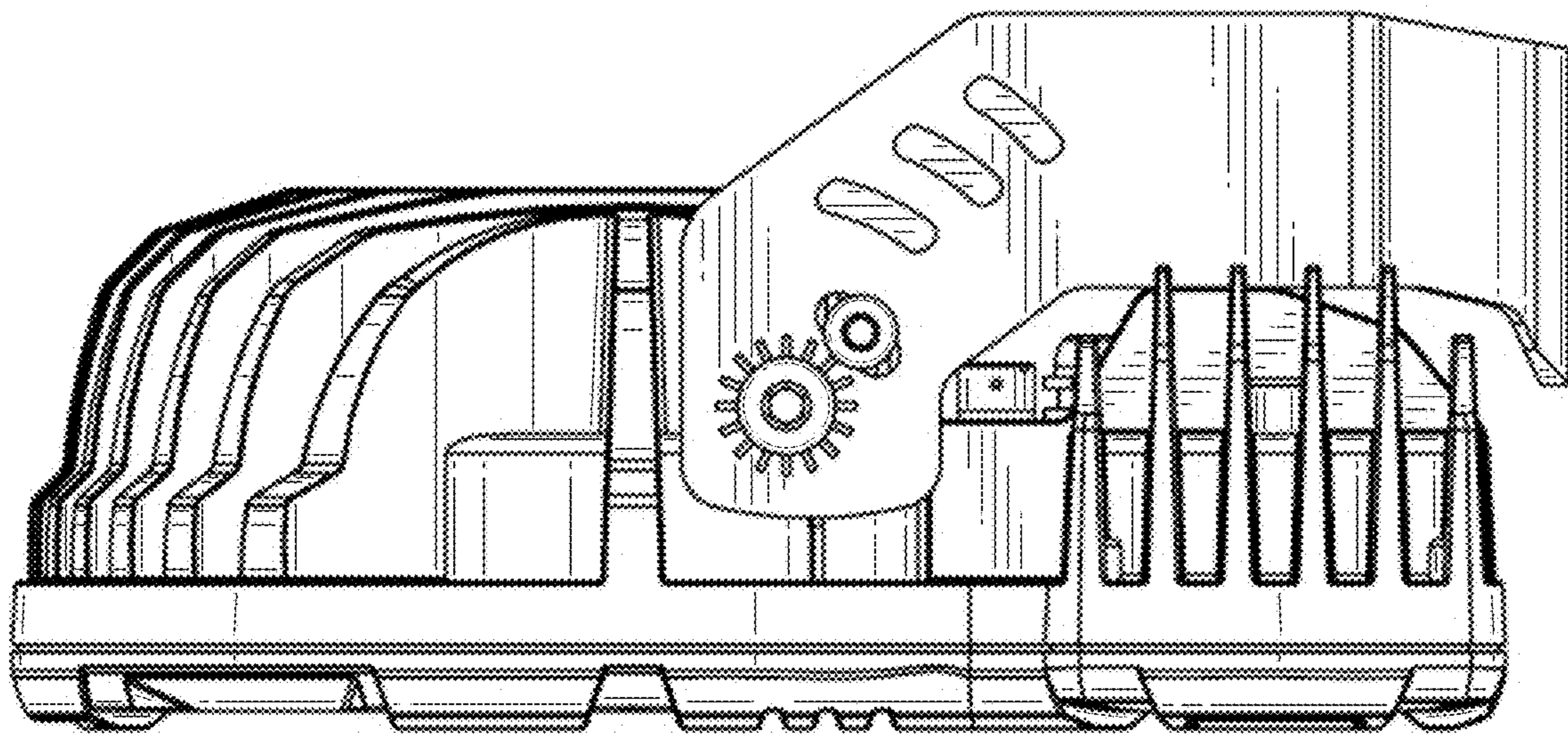


FIG. 3

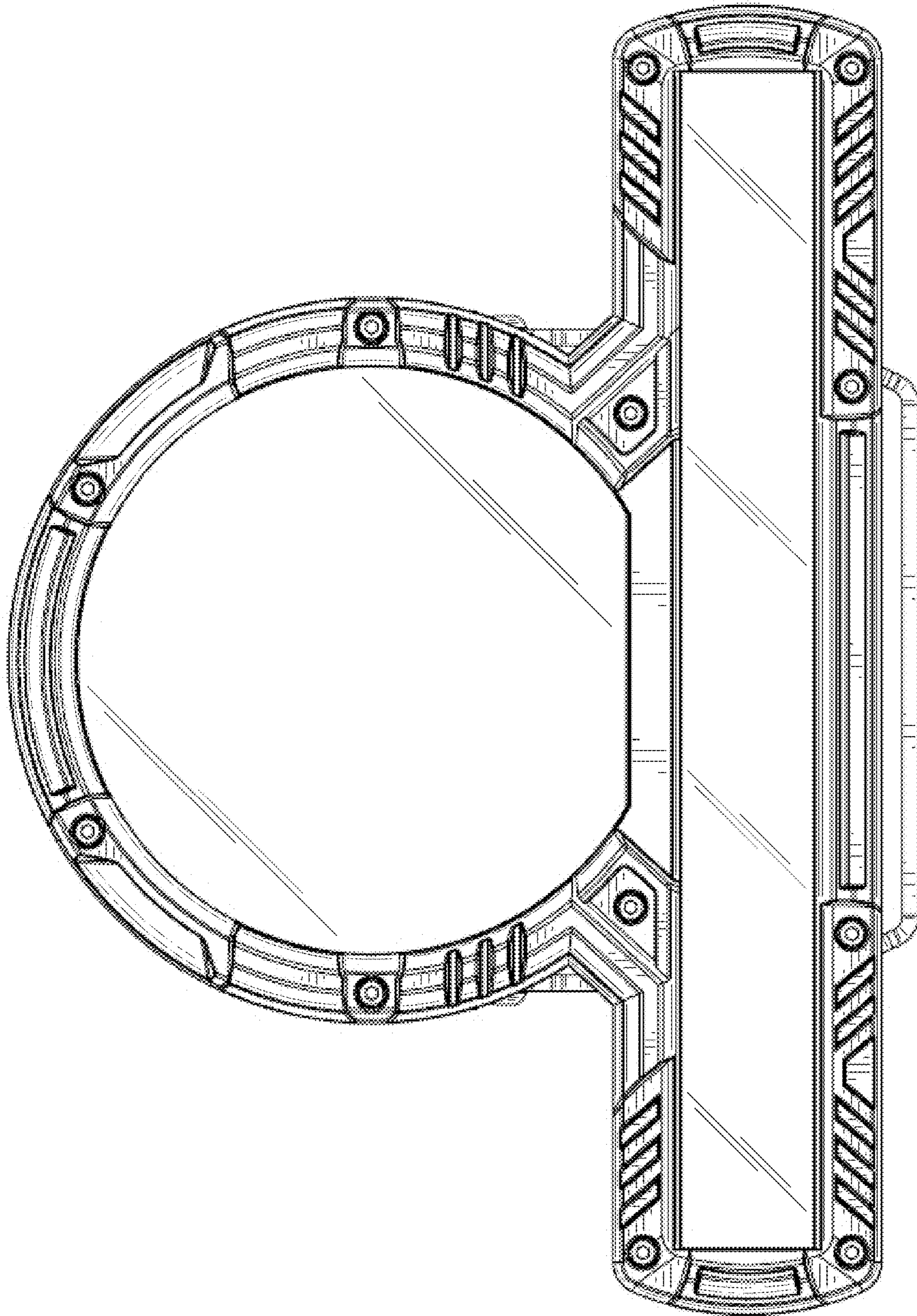


FIG. 4

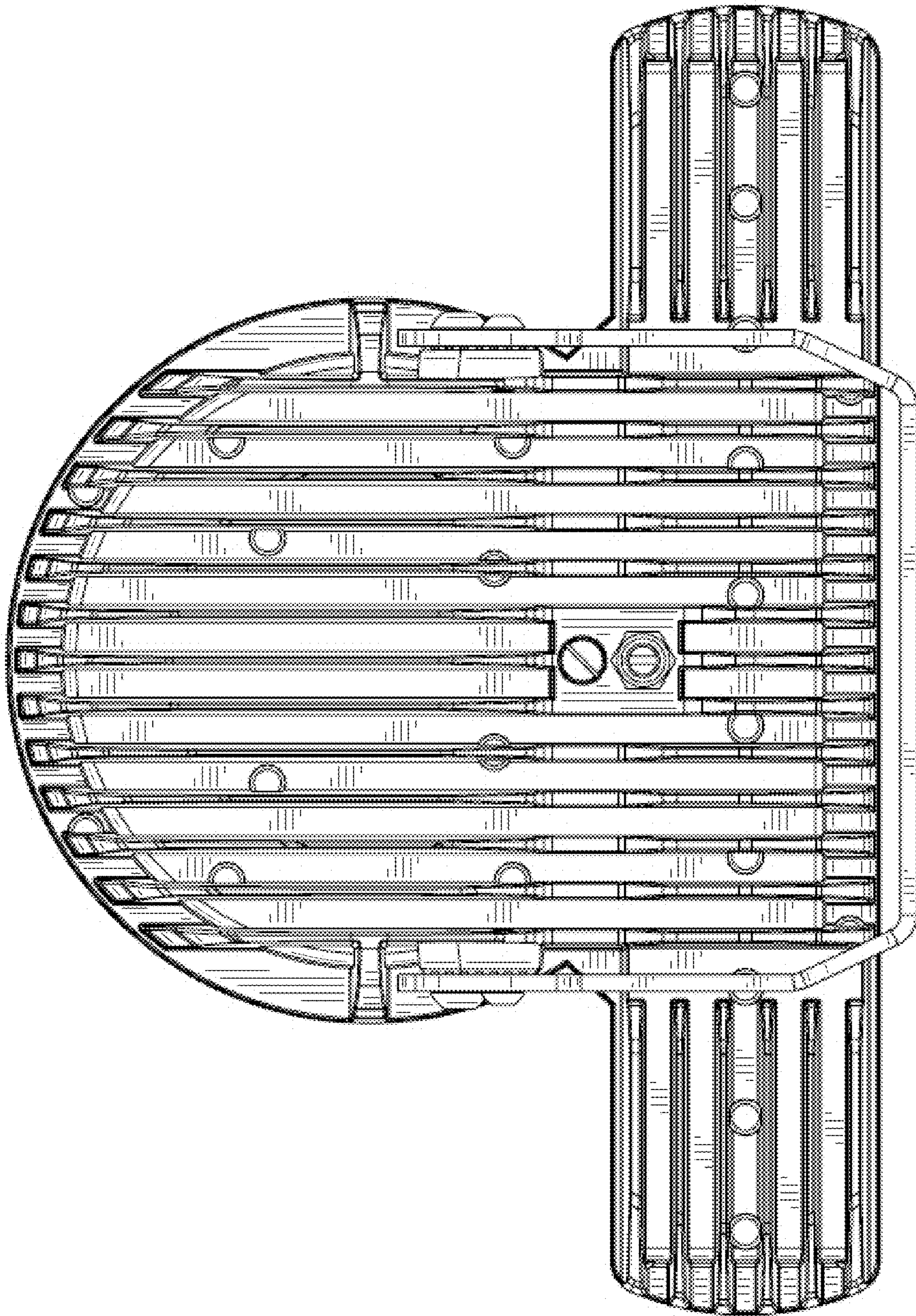


FIG. 5

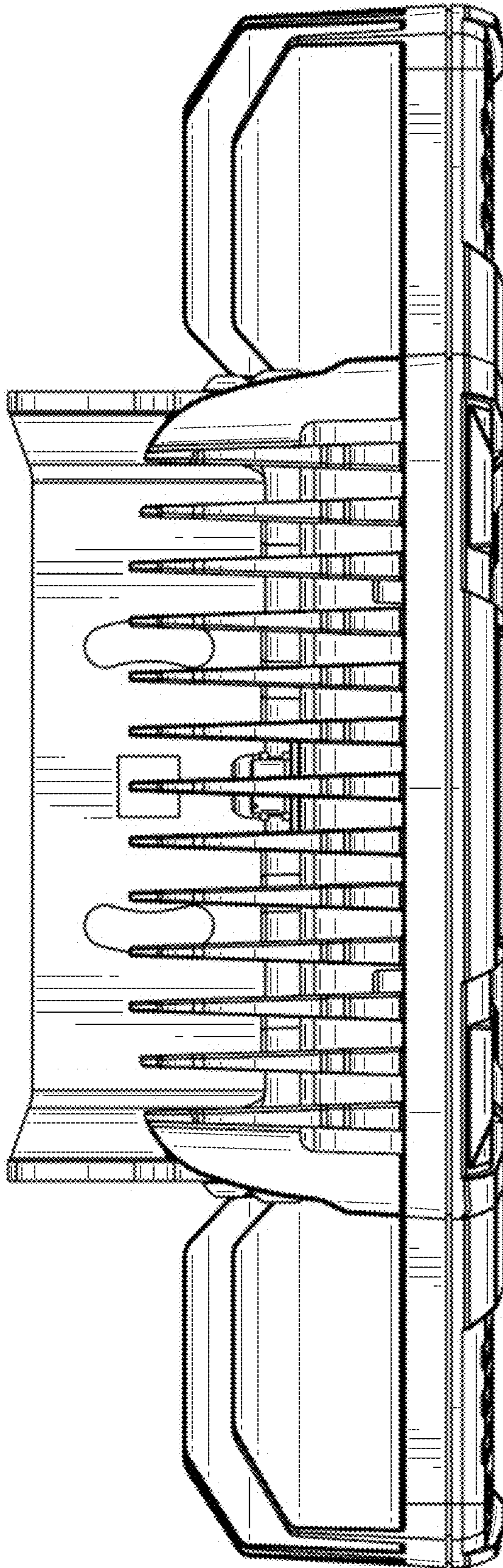


FIG. 6

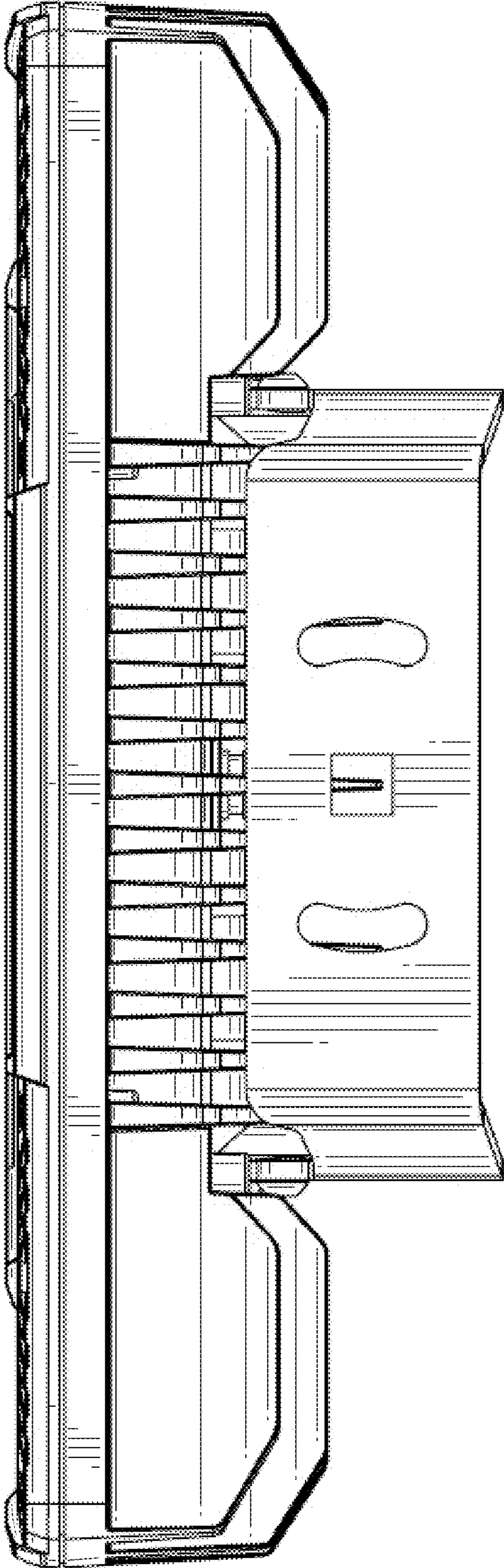


FIG. 7