



US00D874040S

(12) **United States Design Patent**  
**He**

(10) **Patent No.:** **US D874,040 S**

(45) **Date of Patent:** **\*\* Jan. 28, 2020**

(54) **HEADLIGHT FOR A VEHICLE**

D561,358 S \* 2/2008 Tachibana ..... D26/28  
D570,007 S \* 5/2008 Hsu ..... D26/28  
D593,232 S \* 5/2009 Koman ..... D26/28

(71) Applicant: **Arex Industries, Inc.**, Irwindale, CA  
(US)

\* cited by examiner

(72) Inventor: **Mizeng He**, TaiZhou (CN)

*Primary Examiner* — Marcus A Jackson

(\*\*) Term: **15 Years**

(74) *Attorney, Agent, or Firm* — Theodore S. Lee, Esq.

(21) Appl. No.: **29/674,857**

(57) **CLAIM**

(22) Filed: **Dec. 26, 2018**

The ornamental design for an headlight for a vehicle, as shown and described.

(51) **LOC (12) Cl.** ..... **26-06**

**DESCRIPTION**

(52) **U.S. Cl.**

USPC ..... **D26/28**

(58) **Field of Classification Search**

USPC ..... D26/28–36

CPC ..... F21S 48/00; F21S 48/10; F21S 48/115;  
F21S 48/225; F21S 48/1233; F21S  
48/1266; F21S 48/1388; F21S 48/2268;  
F21V 21/04; F21V 29/004; B60Q 9/13;  
B60Q 9/135; B60Q 9/1375

See application file for complete search history.

FIG. 1 is a perspective view of an headlight for a vehicle according to the novel design;  
FIG. 2 is left side view thereof;  
FIG. 3 is a front view thereof;  
FIG. 4 is a right side view thereof;  
FIG. 5 is another perspective view thereof; and,  
FIG. 6 is the top plan view.

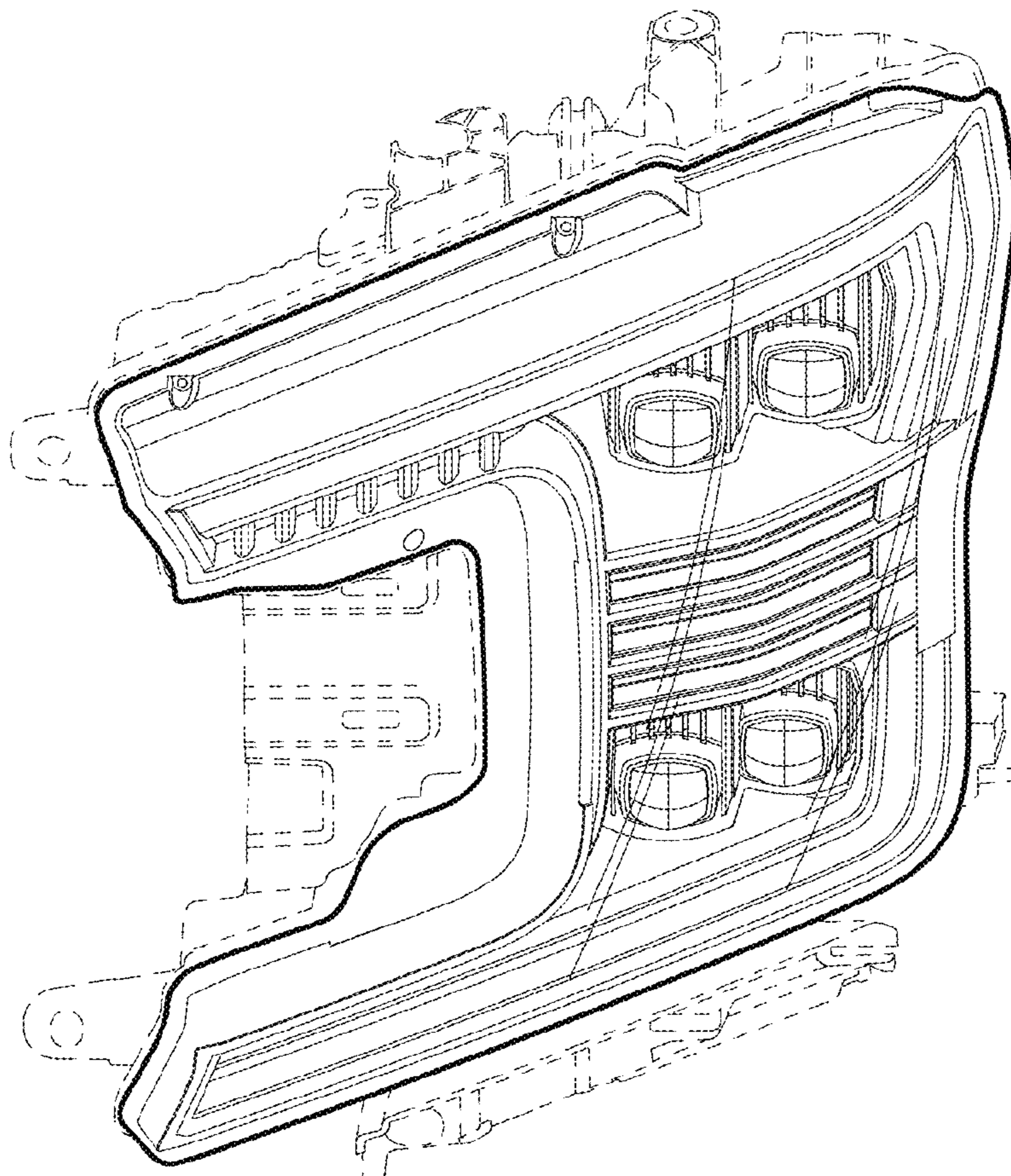
The broken lines are for environmental purposes only and form no part of the claimed design. The design shown is not to be limited to any particular size and may be scaled larger or smaller. The drawings and descriptions represent the right side embodiment. The claim is also for a mirror image of a left side embodiment that is not shown.

(56) **References Cited**

**U.S. PATENT DOCUMENTS**

D538,956 S \* 3/2007 Ishii ..... D26/28  
D544,114 S \* 6/2007 Ohta ..... D26/28

**1 Claim, 6 Drawing Sheets**



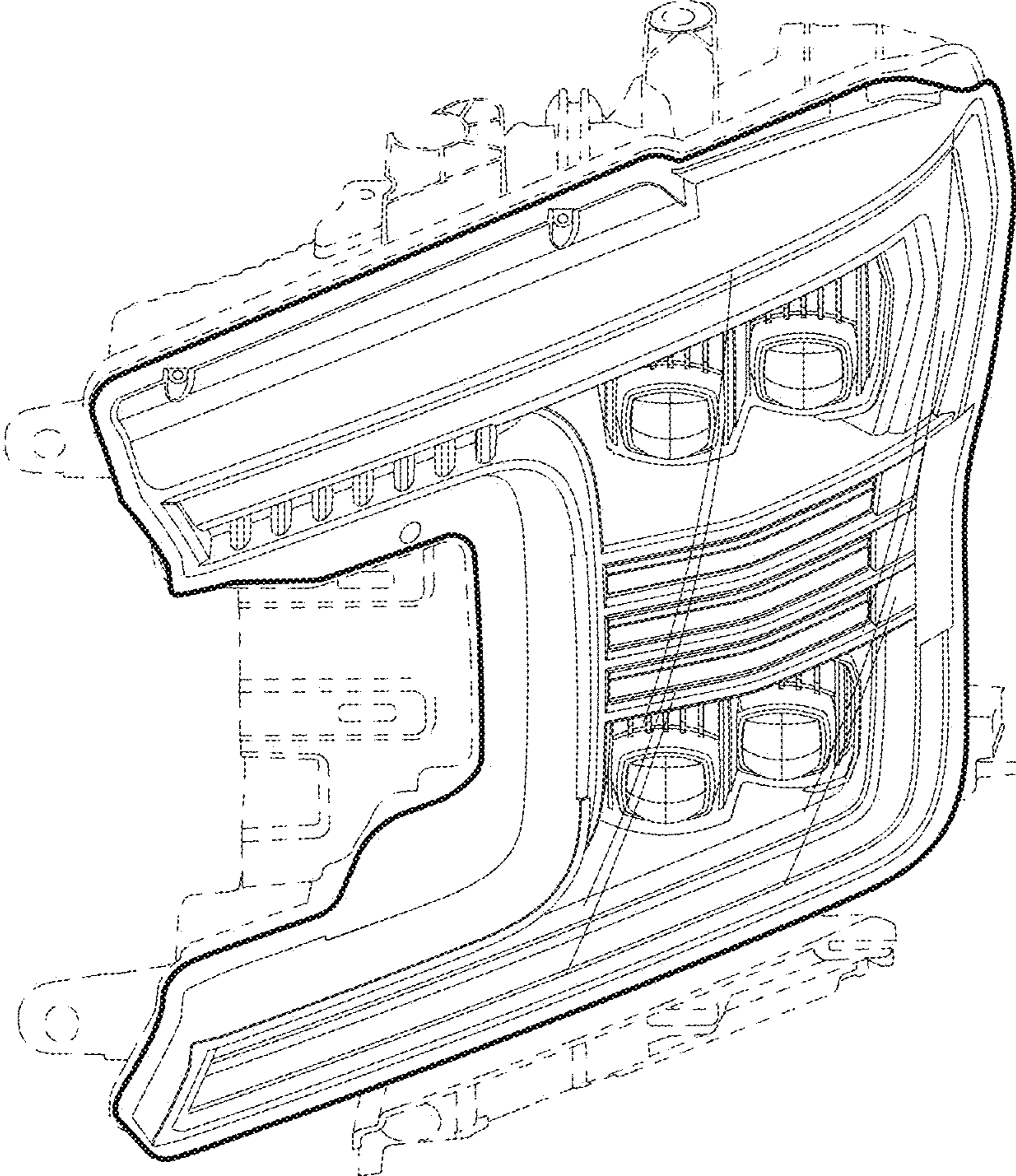


FIG. 1

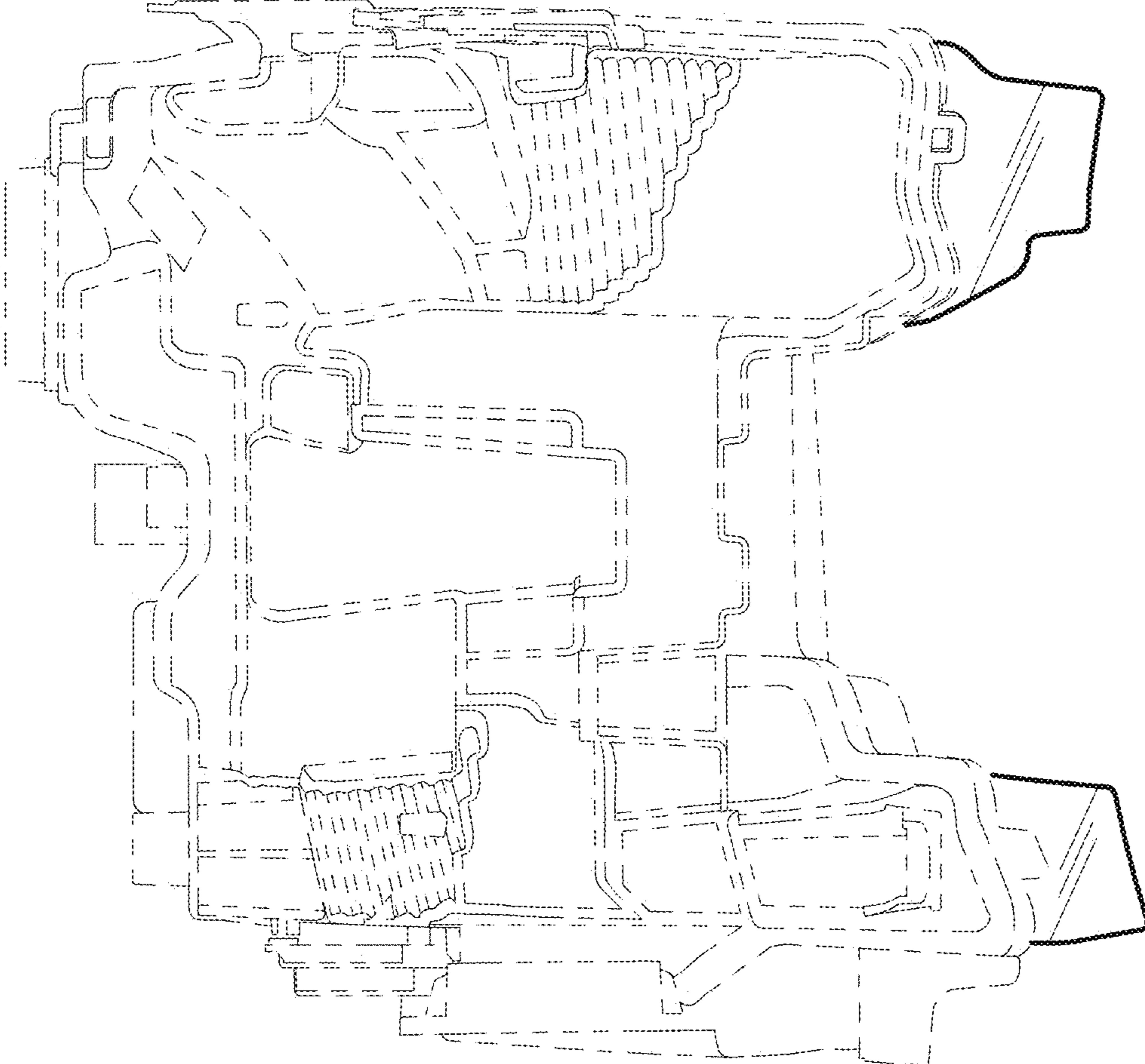


FIG. 2

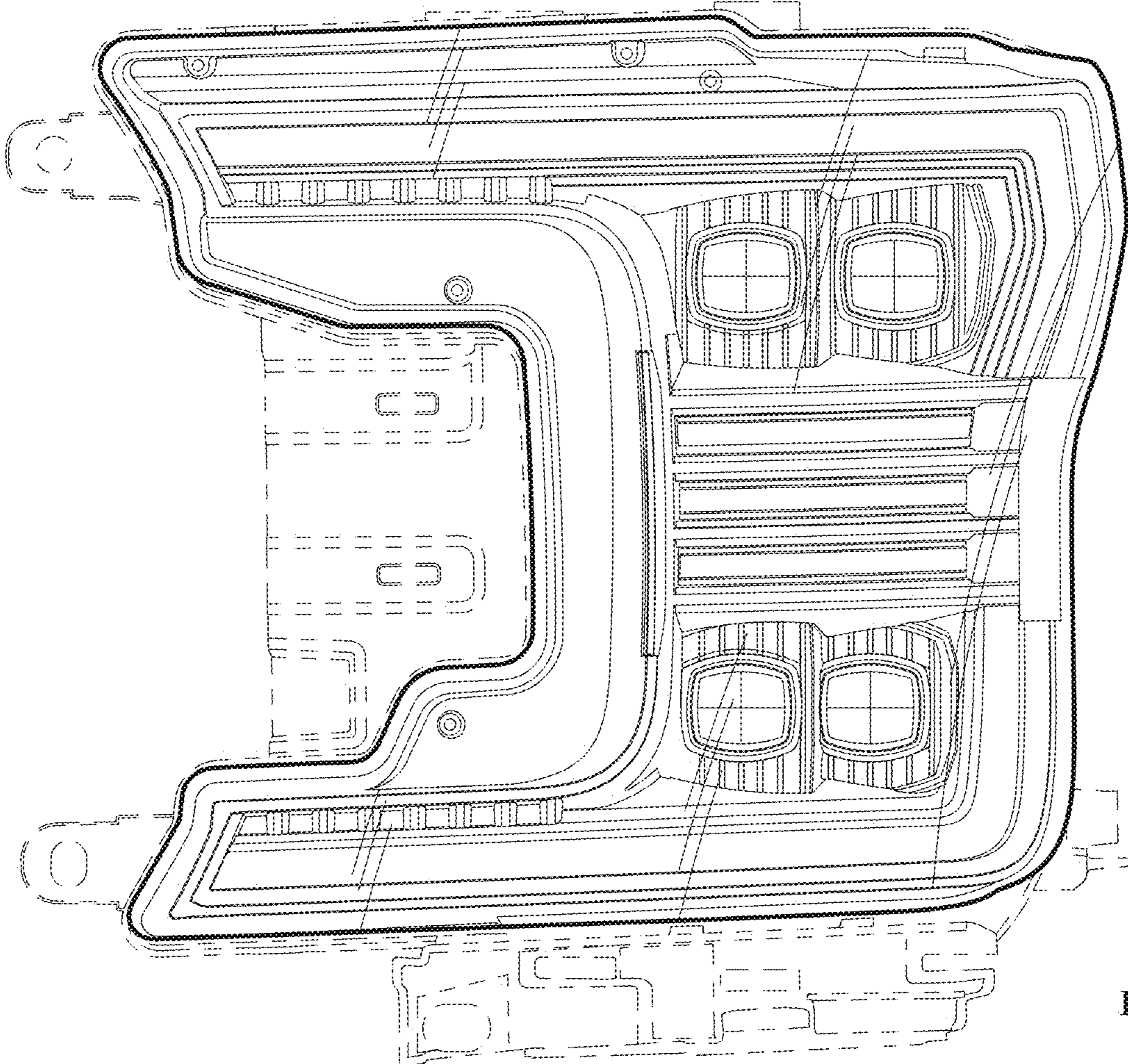


FIG. 3

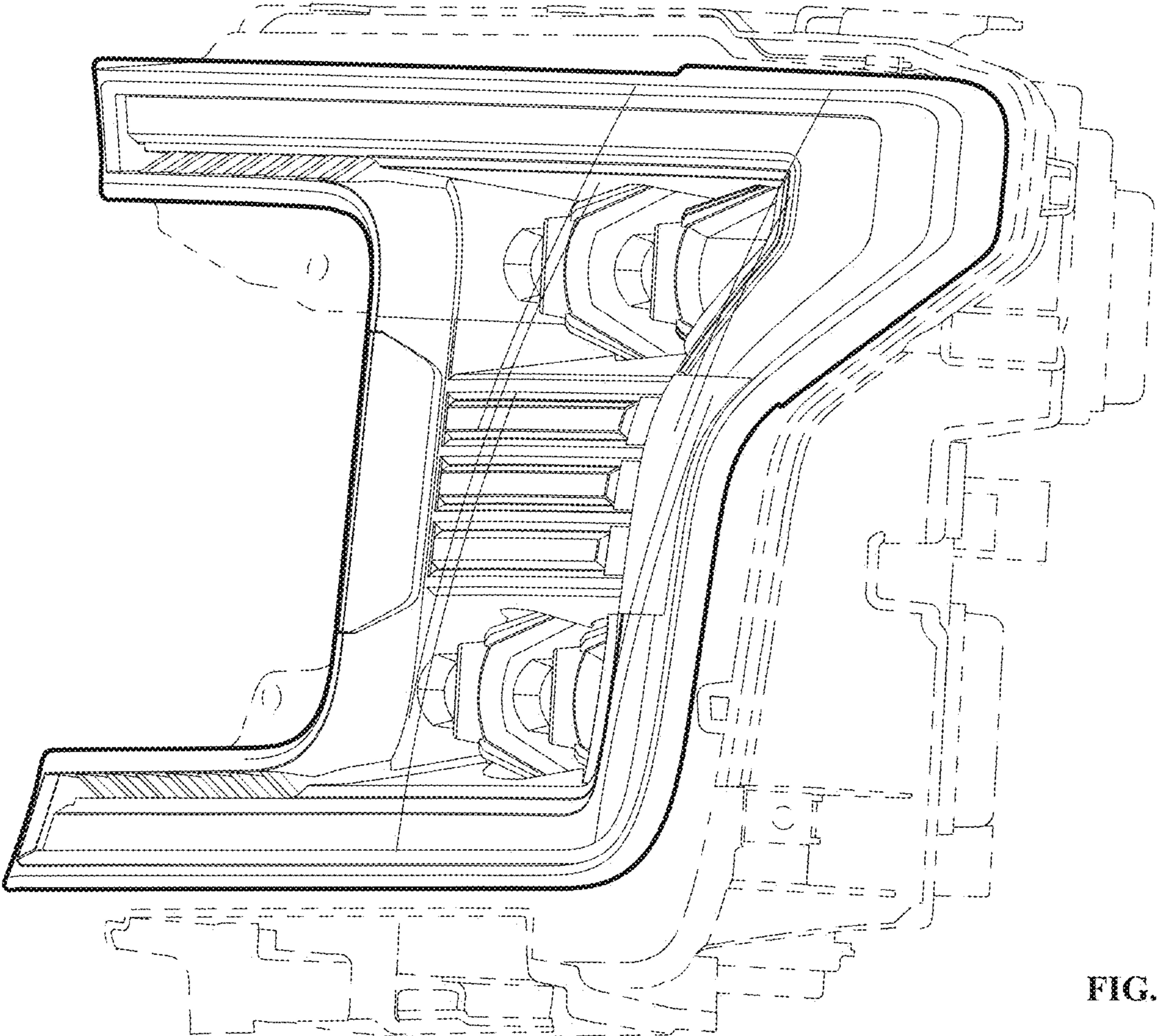


FIG. 4

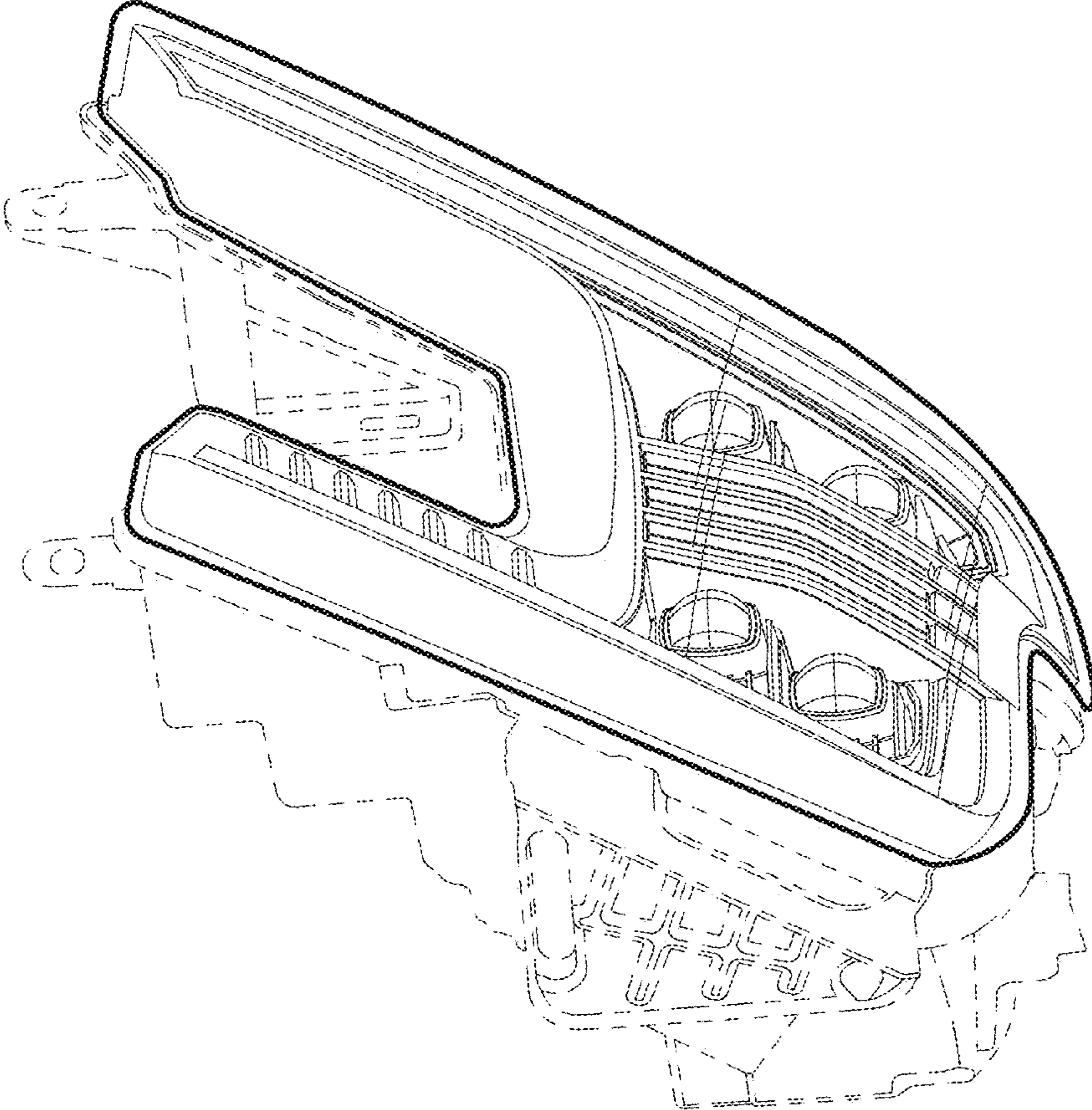


FIG. 5

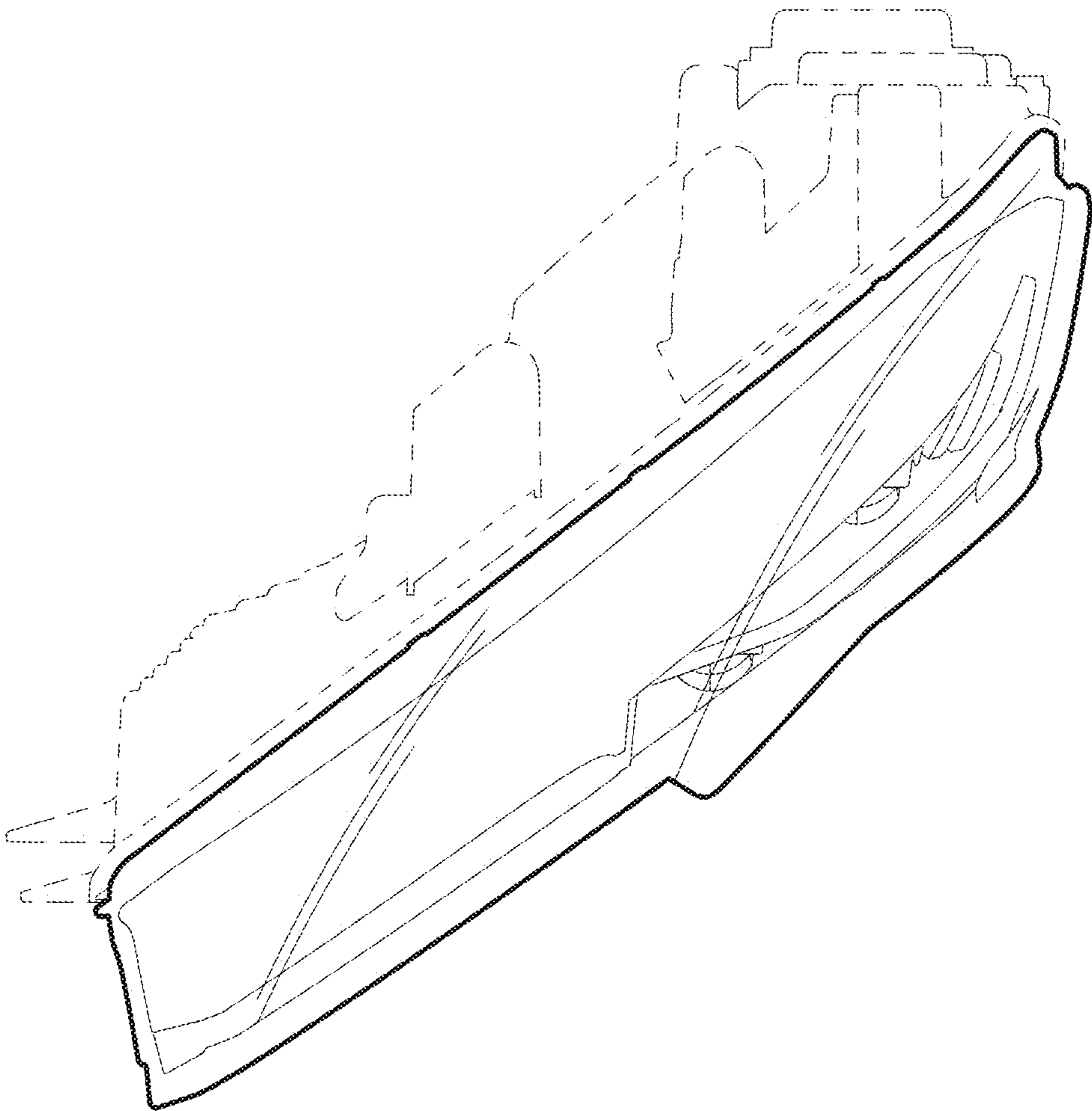


FIG. 6