



US00D874039S

(12) **United States Design Patent**
He

(10) **Patent No.:** **US D874,039 S**

(45) **Date of Patent:** **** Jan. 28, 2020**

(54) **HEADLIGHT FOR A VEHICLE**

D561,358 S * 2/2008 Tachibana D26/28
D570,007 S * 5/2008 Hsu D26/28
D593,232 S * 5/2009 Koman D26/28

(71) Applicant: **Arex Industries, Inc.**, Irwindale, CA
(US)

* cited by examiner

(72) Inventor: **Mizeng He**, TaiZhou (CN)

Primary Examiner — Marcus A Jackson

(**) Term: **15 Years**

(74) *Attorney, Agent, or Firm* — Theodore S. Lee, Esq.

(21) Appl. No.: **29/674,658**

(57) **CLAIM**

(22) Filed: **Dec. 21, 2018**

The ornamental design for a headlight for a vehicle, as shown and described.

(51) **LOC (12) Cl.** **26-06**

DESCRIPTION

(52) **U.S. Cl.**

USPC **D26/28**

(58) **Field of Classification Search**

USPC D26/28–36

CPC F21S 48/00; F21S 48/10; F21S 48/115;
F21S 48/225; F21S 48/1233; F21S
48/1266; F21S 48/1388; F21S 48/2268;
F21V 21/04; F21V 29/004; B60Q 9/13;
B60Q 9/135; B60Q 9/1375

See application file for complete search history.

FIG. 1 is a perspective view of a headlight for a vehicle according to the novel design;
FIG. 2 is left side view thereof;
FIG. 3 is a front view thereof;
FIG. 4 is a right side view thereof;
FIG. 5 is another perspective view thereof; and,
FIG. 6 is the top plan view.

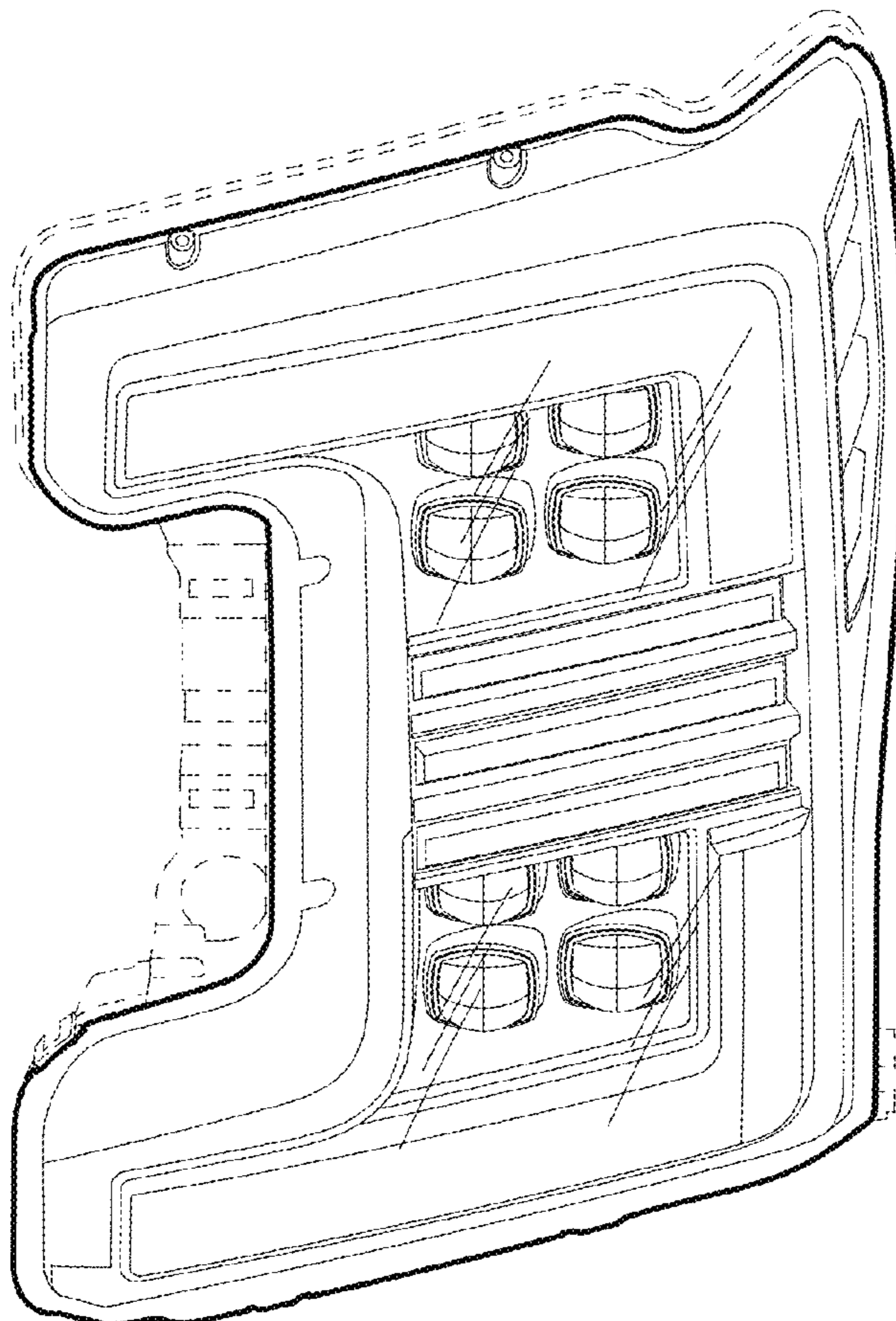
The broken lines are for environmental purposes only and form no part of the claimed design. The design shown is not to be limited to any particular size and may be scaled larger or smaller. The drawings and descriptions represent the right side embodiment. The claim is also for a mirror image of a left side embodiment that is not shown.

(56) **References Cited**

U.S. PATENT DOCUMENTS

D538,956 S * 3/2007 Ishii D26/28
D544,114 S * 6/2007 Ohta D26/28

1 Claim, 6 Drawing Sheets



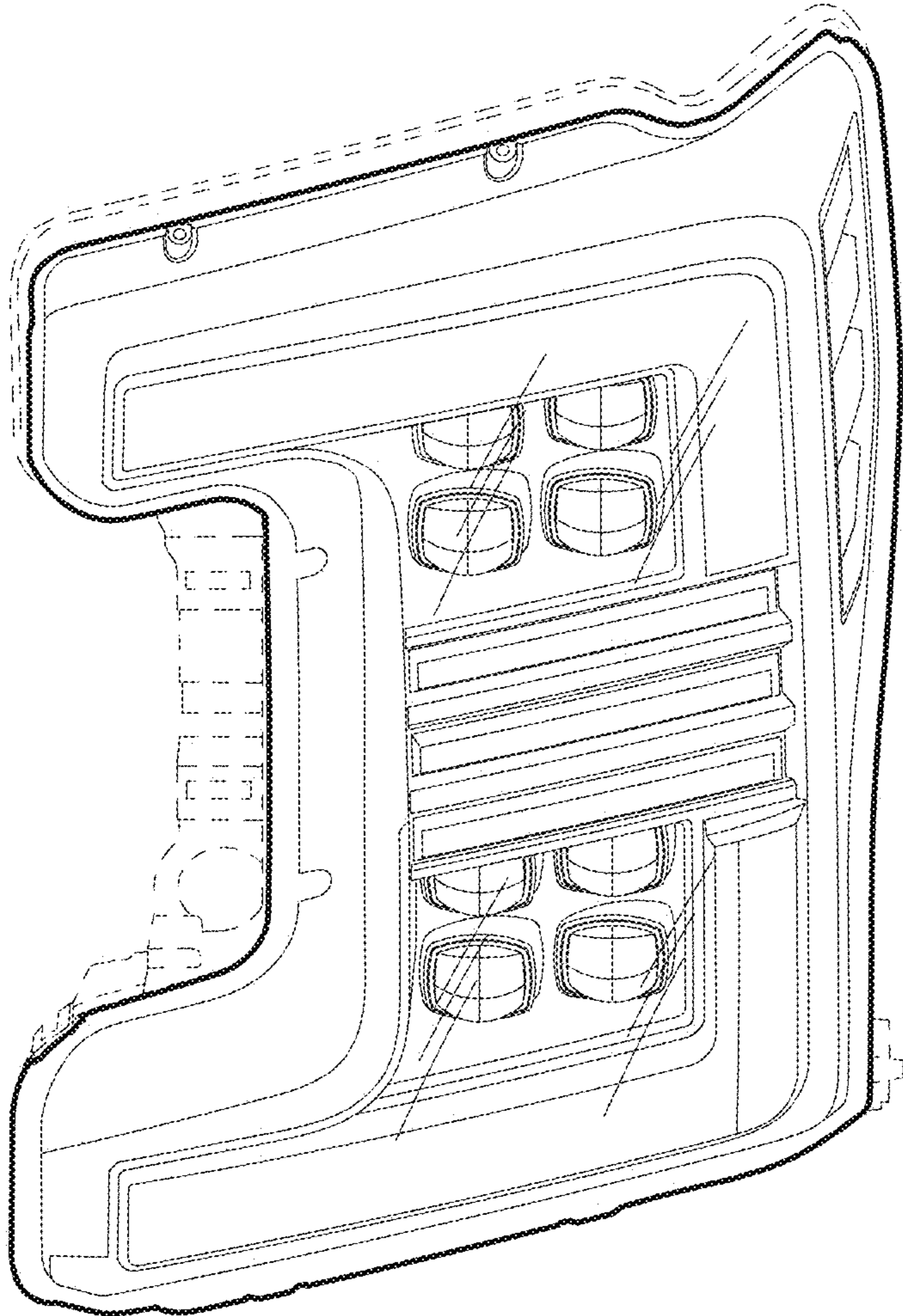


FIG. 1

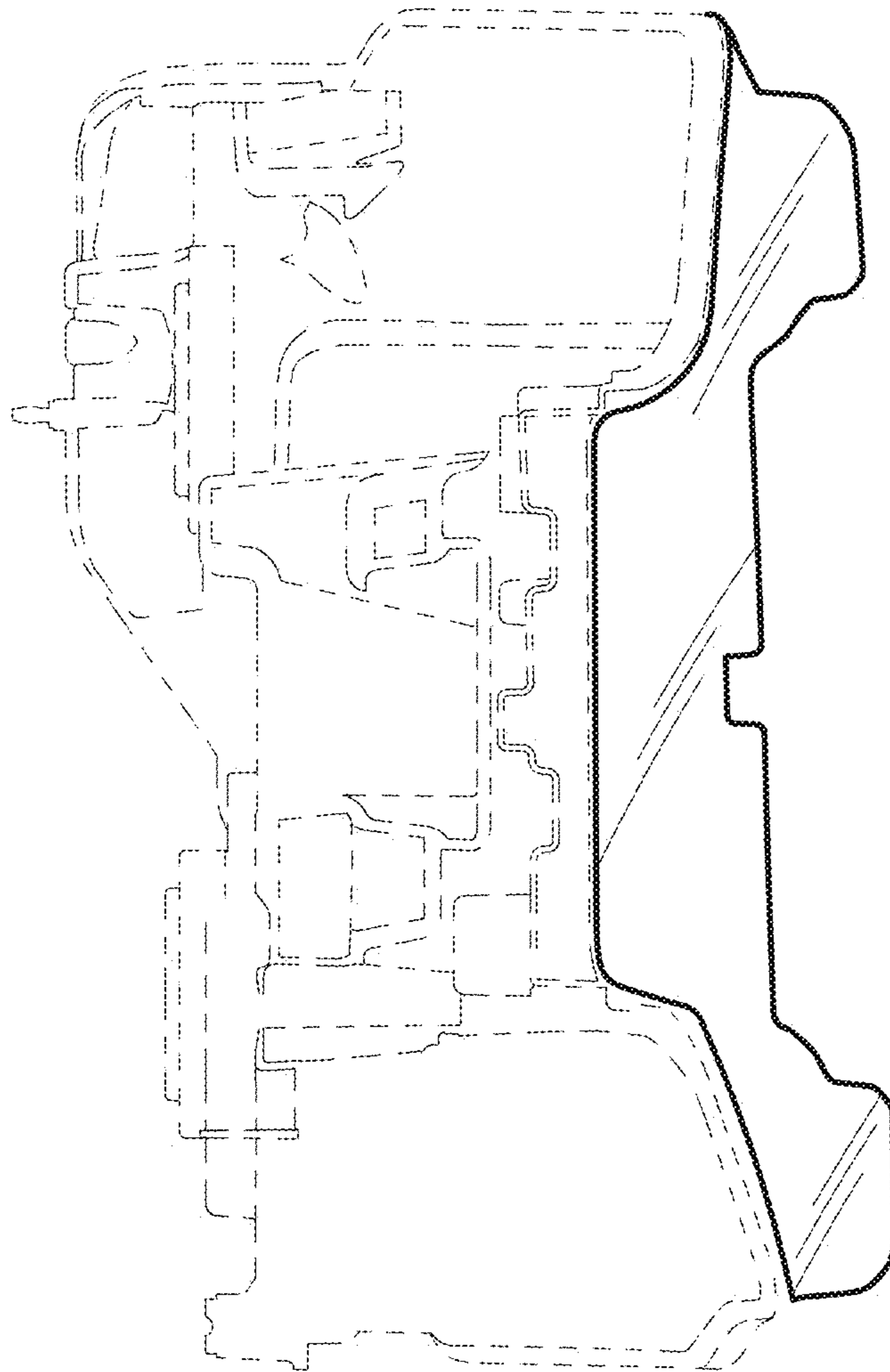


FIG. 2

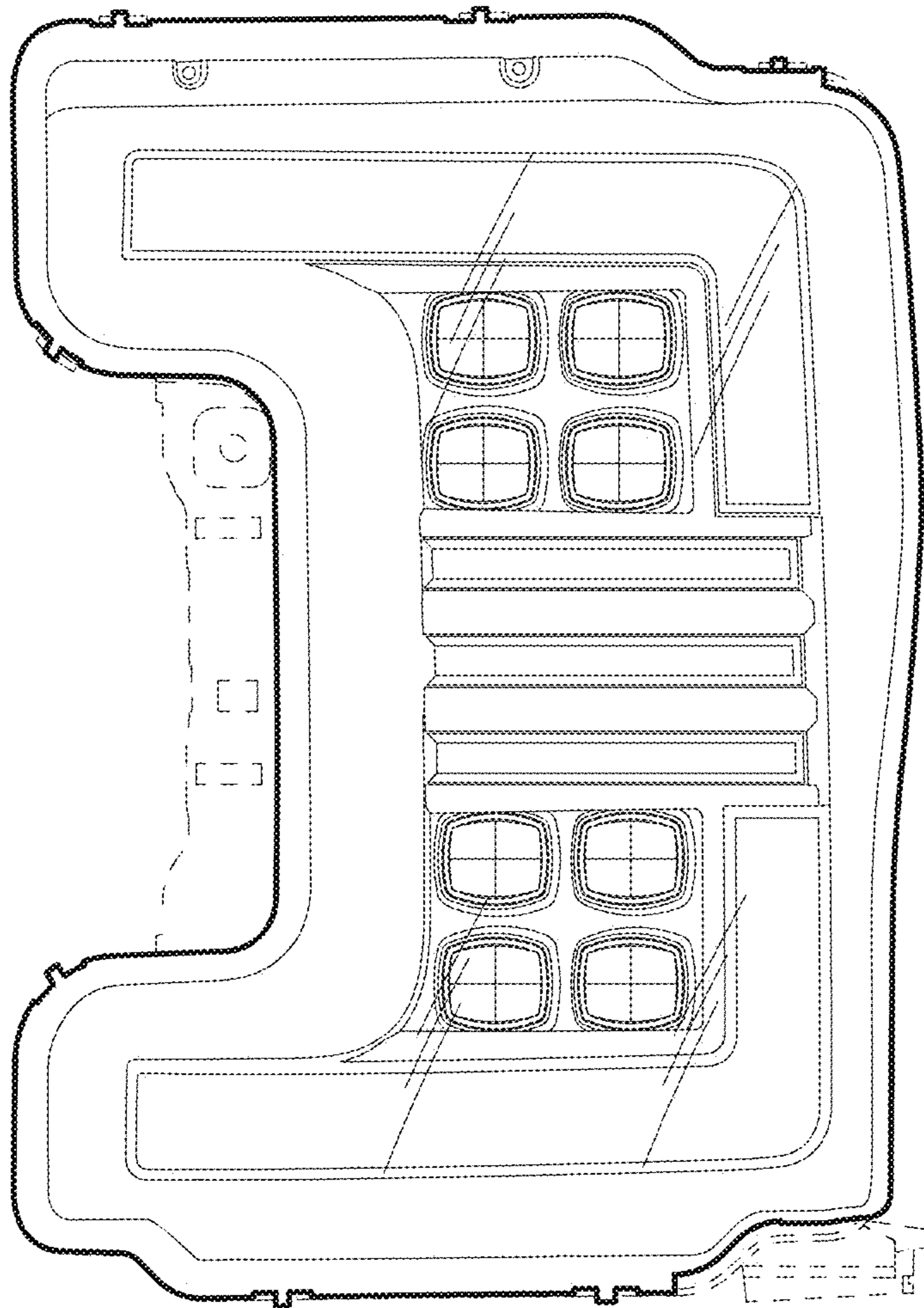


FIG. 3

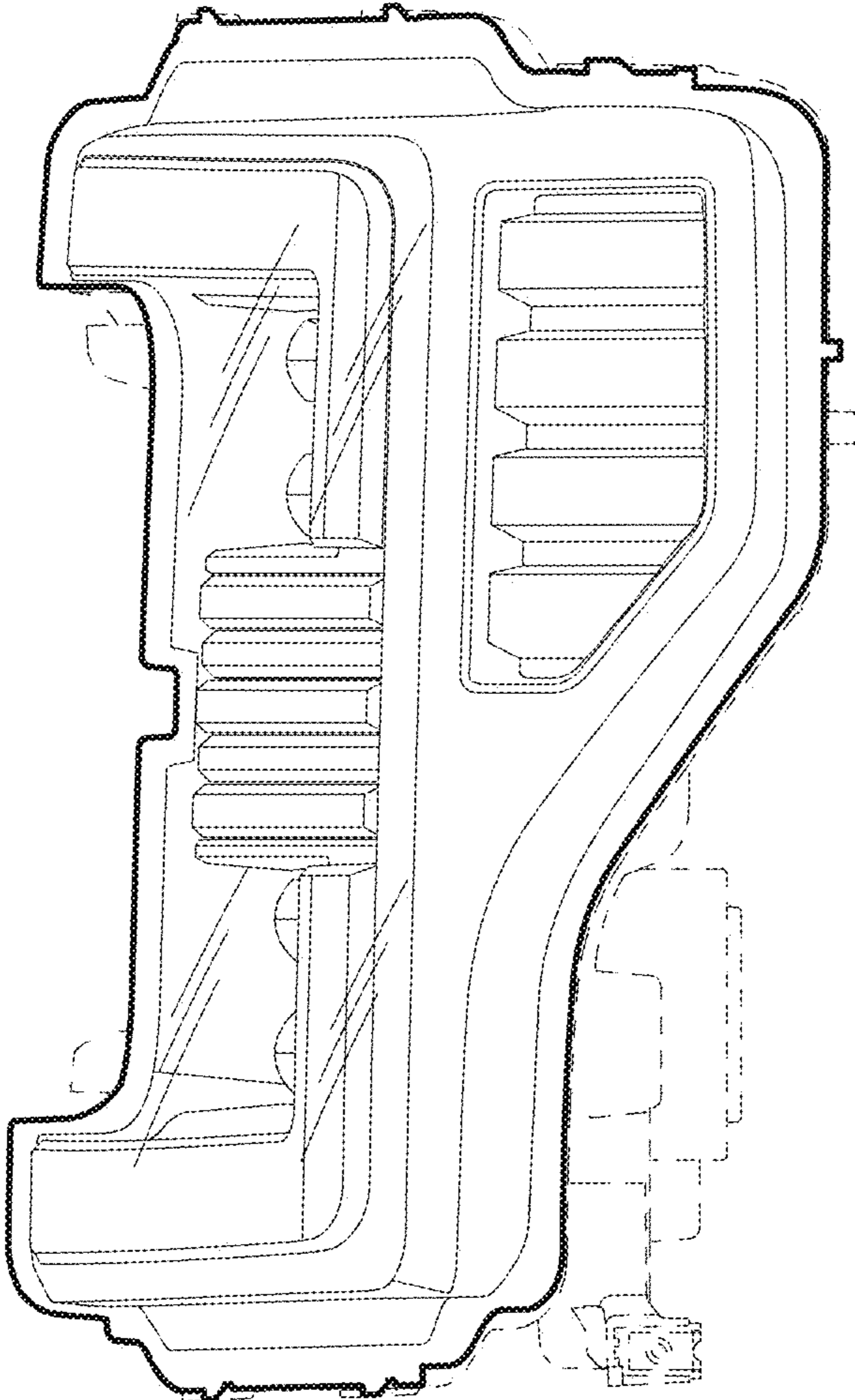


FIG. 4

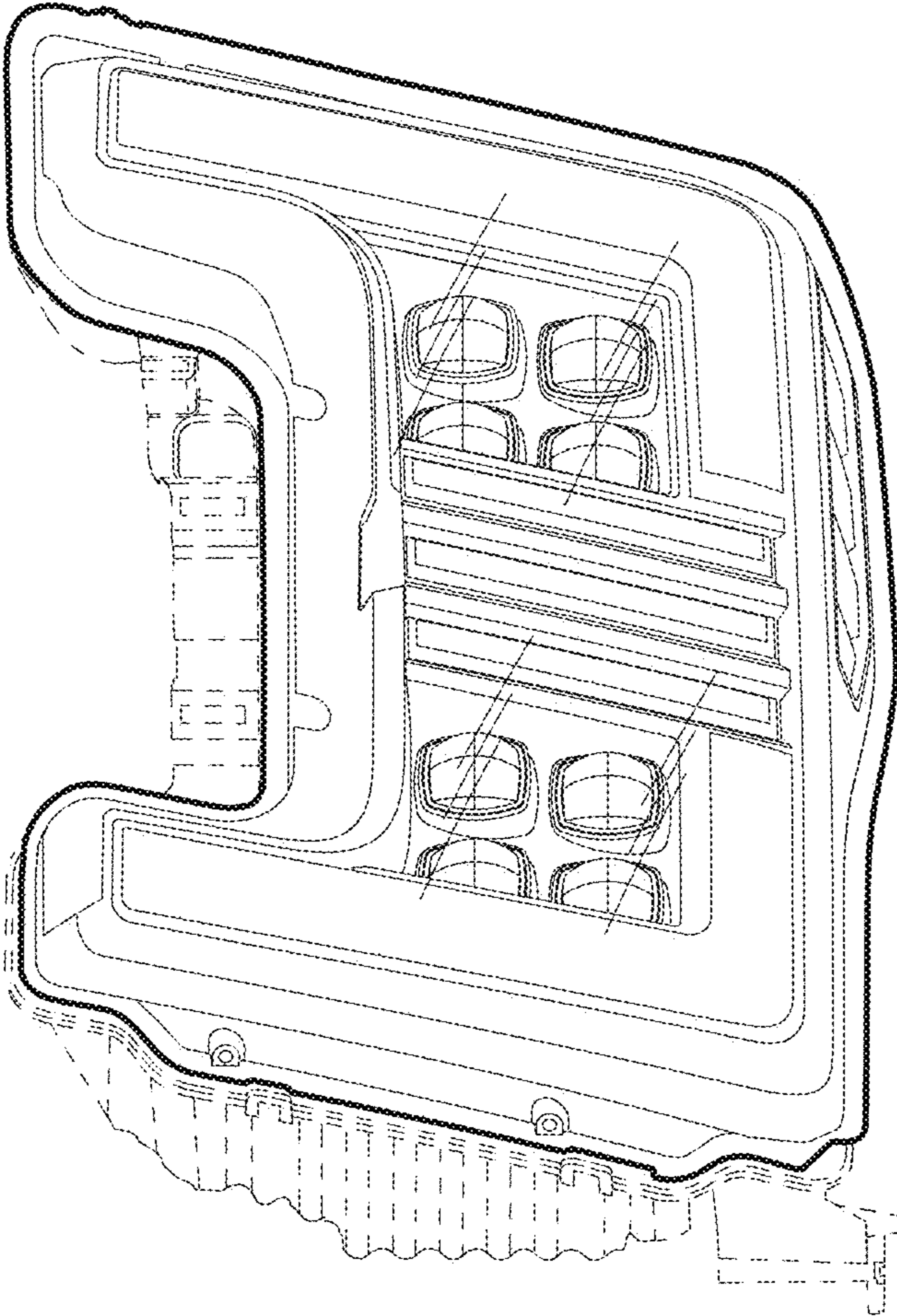


FIG. 5

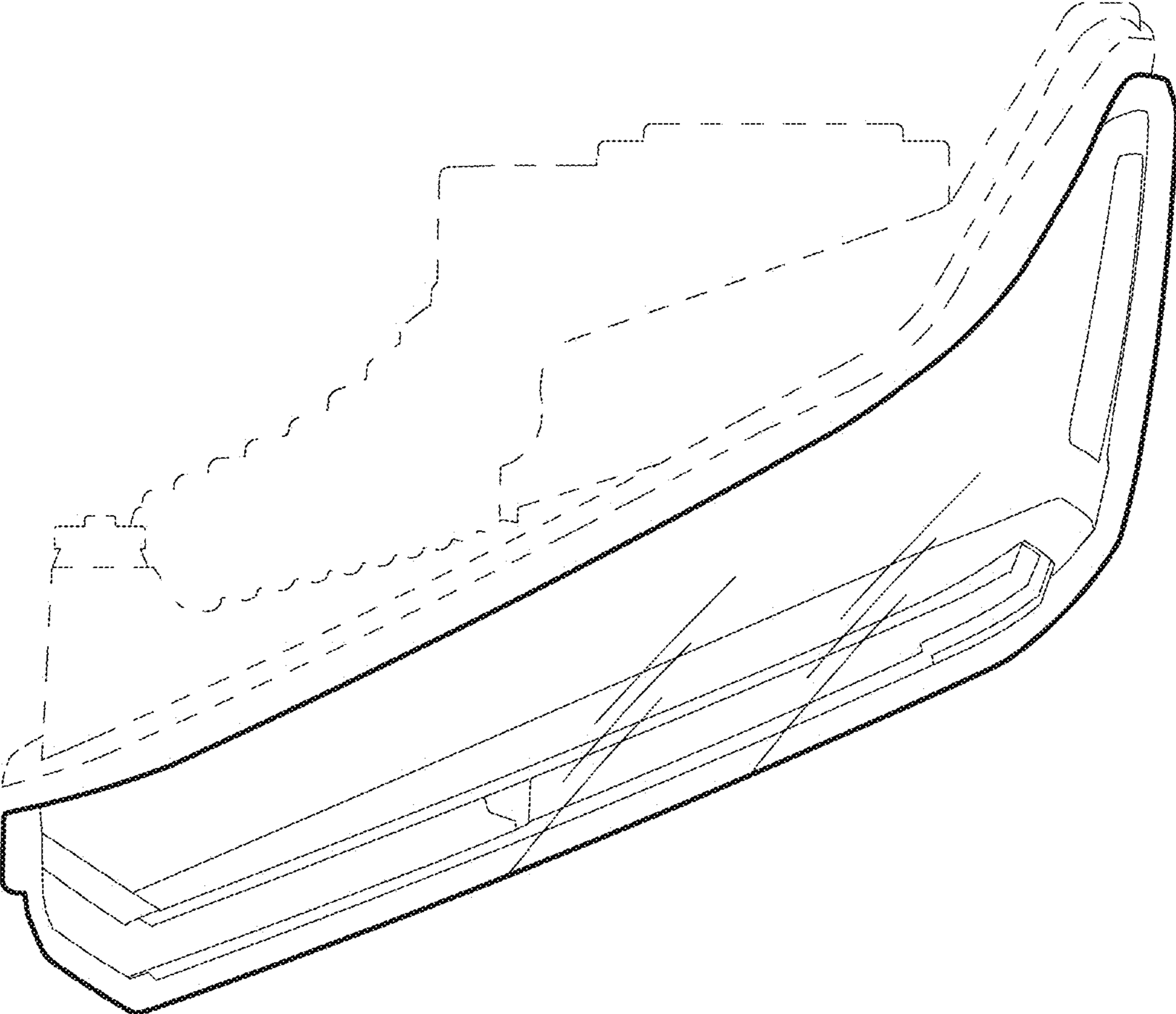


FIG. 6