



US00D874038S

(12) **United States Design Patent**
He

(10) **Patent No.:** **US D874,038 S**

(45) **Date of Patent:** **** Jan. 28, 2020**

(54) **HEADLIGHT FOR A VEHICLE**

(71) Applicant: **Arex Industries, Inc.**, Irwindale, CA
(US)

(72) Inventor: **Mizeng He**, TaiZhou (CN)

(**) Term: **15 Years**

(21) Appl. No.: **29/674,657**

(22) Filed: **Dec. 21, 2018**

(51) **LOC (12) Cl.** **26-06**

(52) **U.S. Cl.**
USPC **D26/28**

(58) **Field of Classification Search**

USPC D26/28-36, 139
CPC F21S 48/00; F21S 48/10; F21S 48/115;
F21S 48/225; F21S 48/1233; F21S
48/1266; F21S 48/1388; F21S 48/2268;
F21V 21/04; F21V 29/004; B60Q 9/13;
B60Q 9/135; B60Q 9/1375
See application file for complete search history.

(56) **References Cited**

U.S. PATENT DOCUMENTS

D538,956 S * 3/2007 Ishii D26/28
D544,614 S * 6/2007 Markefka D26/28

D556,349 S * 11/2007 Golden D26/28
D561,358 S * 2/2008 Tachibana D26/28
D570,007 S * 5/2008 Hsu D26/28
D593,232 S * 5/2009 Koman D26/28

* cited by examiner

Primary Examiner — Marcus A Jackson

(74) *Attorney, Agent, or Firm* — Theodore S. Lee, Esq.

(57) **CLAIM**

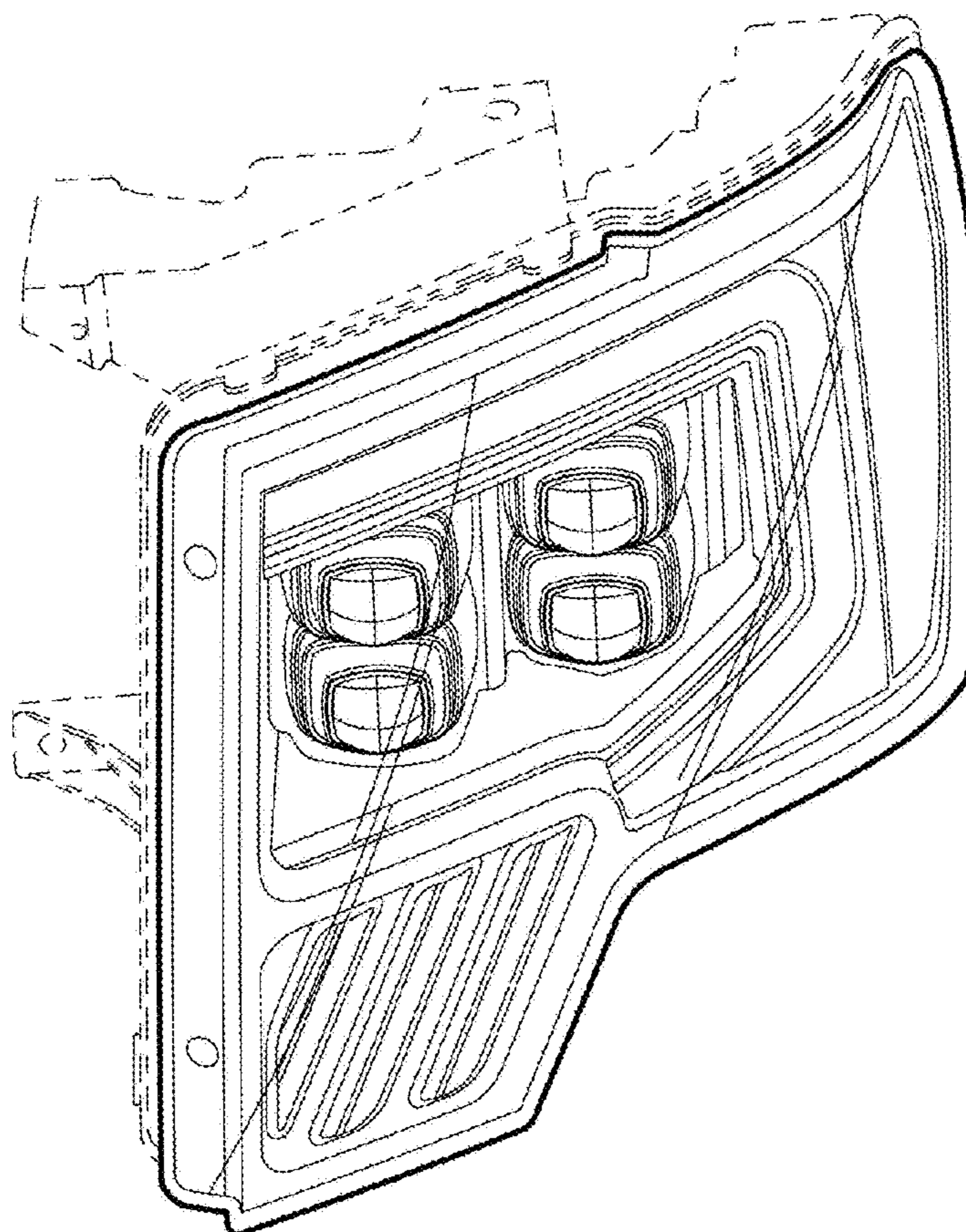
The ornamental design for an headlight for a vehicle, as shown and described.

DESCRIPTION

FIG. 1 is a perspective view of an headlight for a vehicle according to the novel design;
FIG. 2 is left side view thereof;
FIG. 3 is a front view thereof;
FIG. 4 is a right side view thereof;
FIG. 5 is another perspective view thereof; and,
FIG. 6 is the top plan view.

The broken lines are for environmental purposes only and form no part of the claimed design. The design shown is not to be limited to any particular size and may be scaled larger or smaller. The drawings and descriptions represent the right side embodiment. The claim is also for a mirror image of a left side embodiment that is not shown.

1 Claim, 6 Drawing Sheets



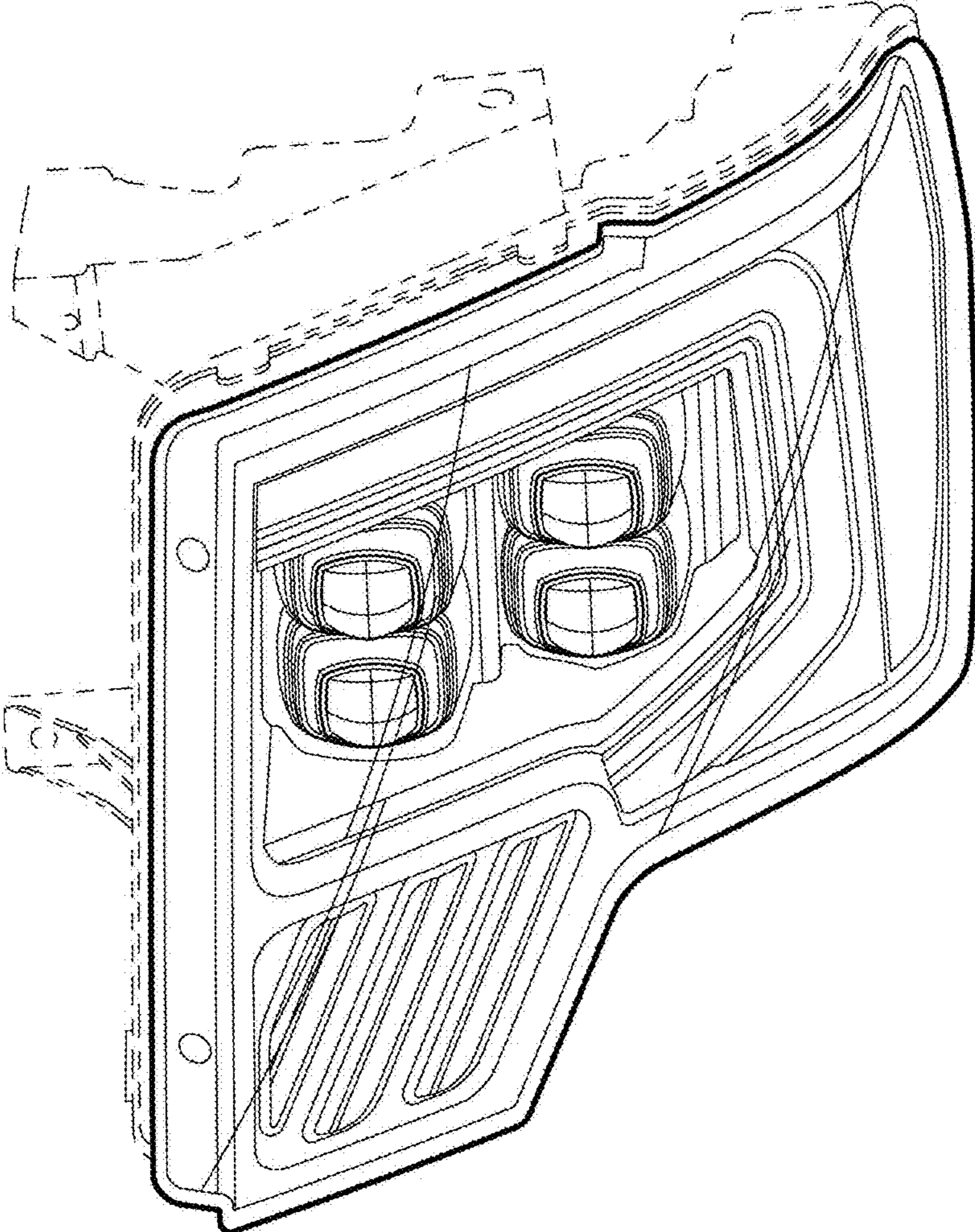


FIG. 1

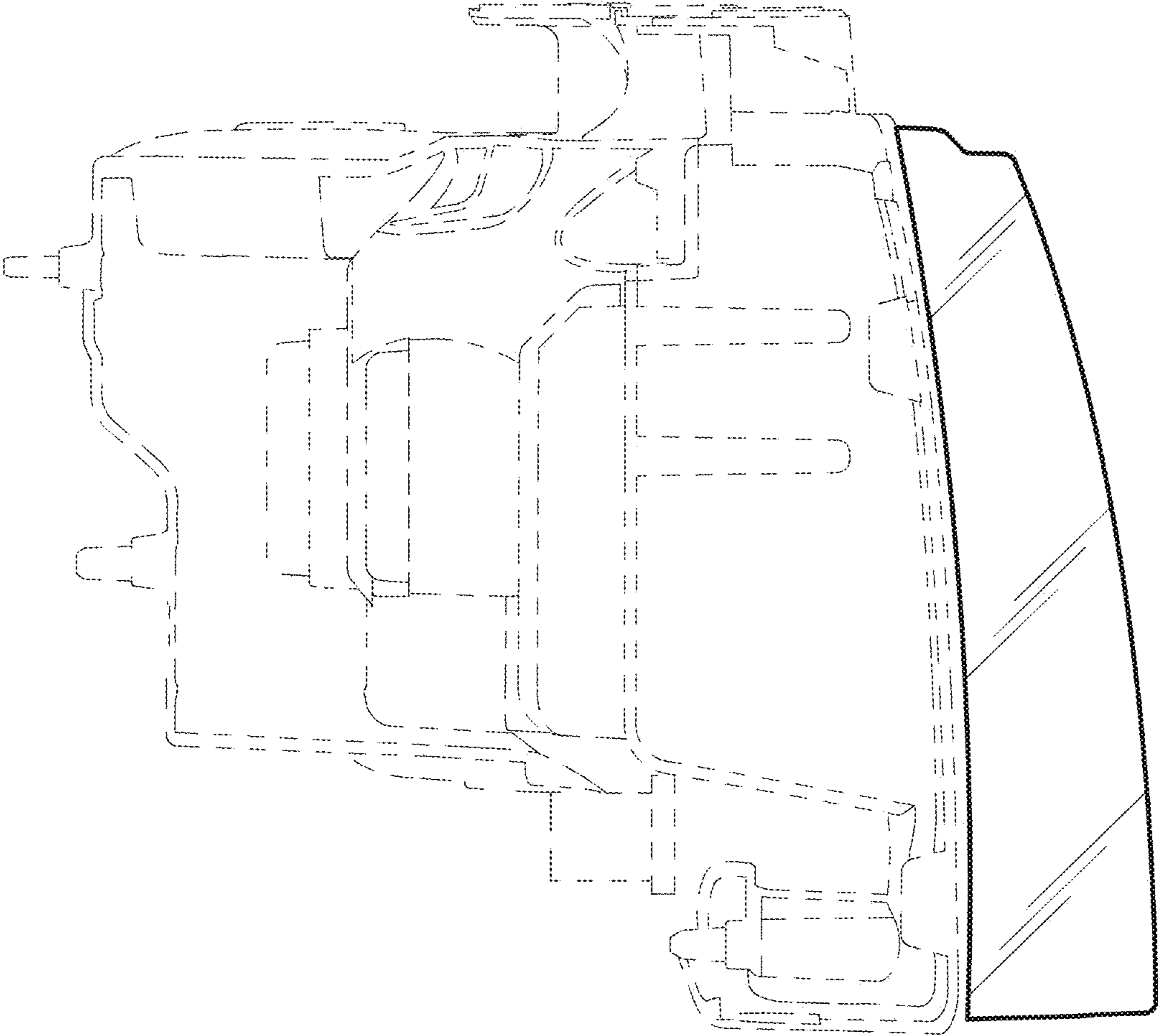


FIG. 2

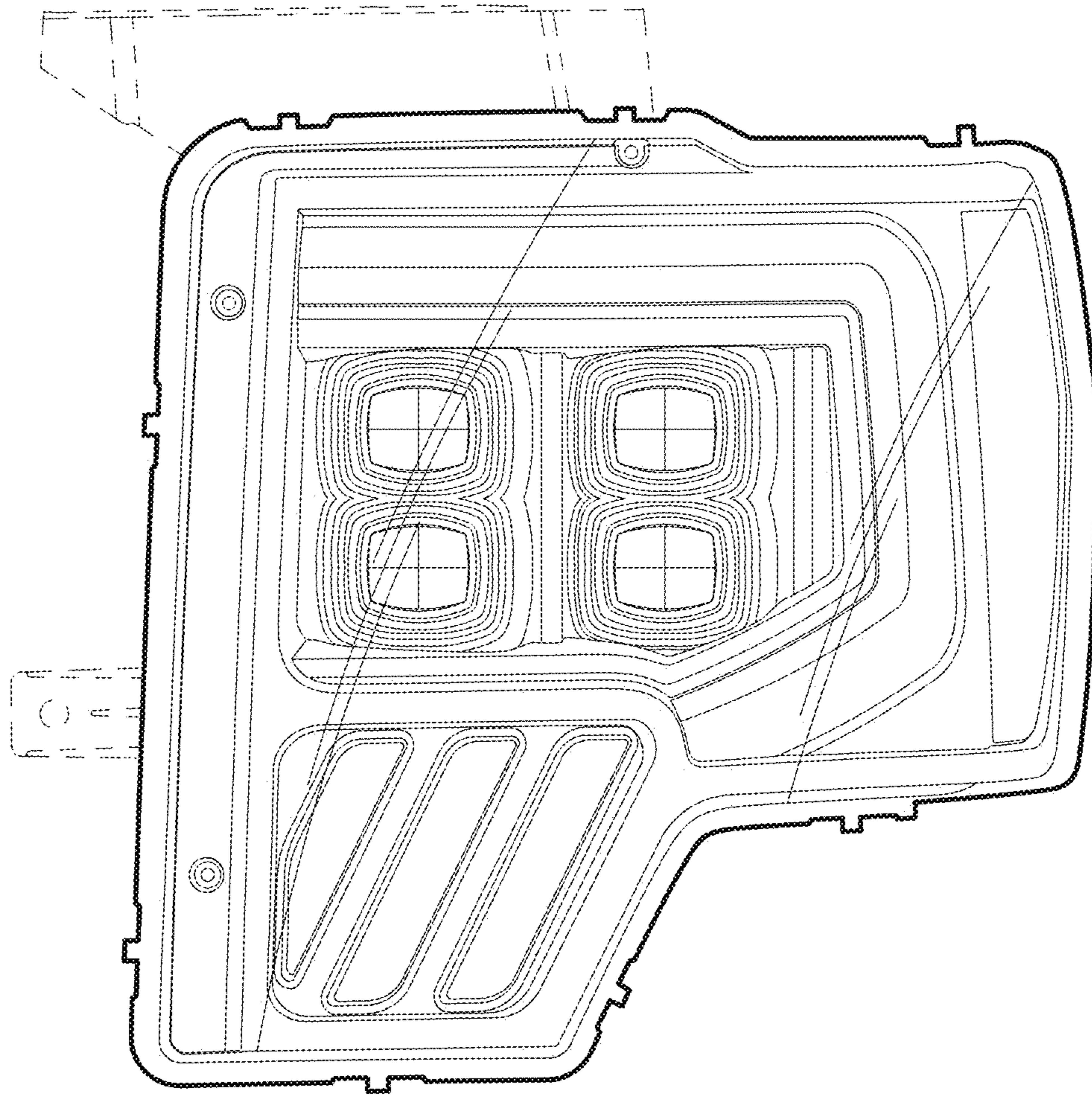


FIG. 3

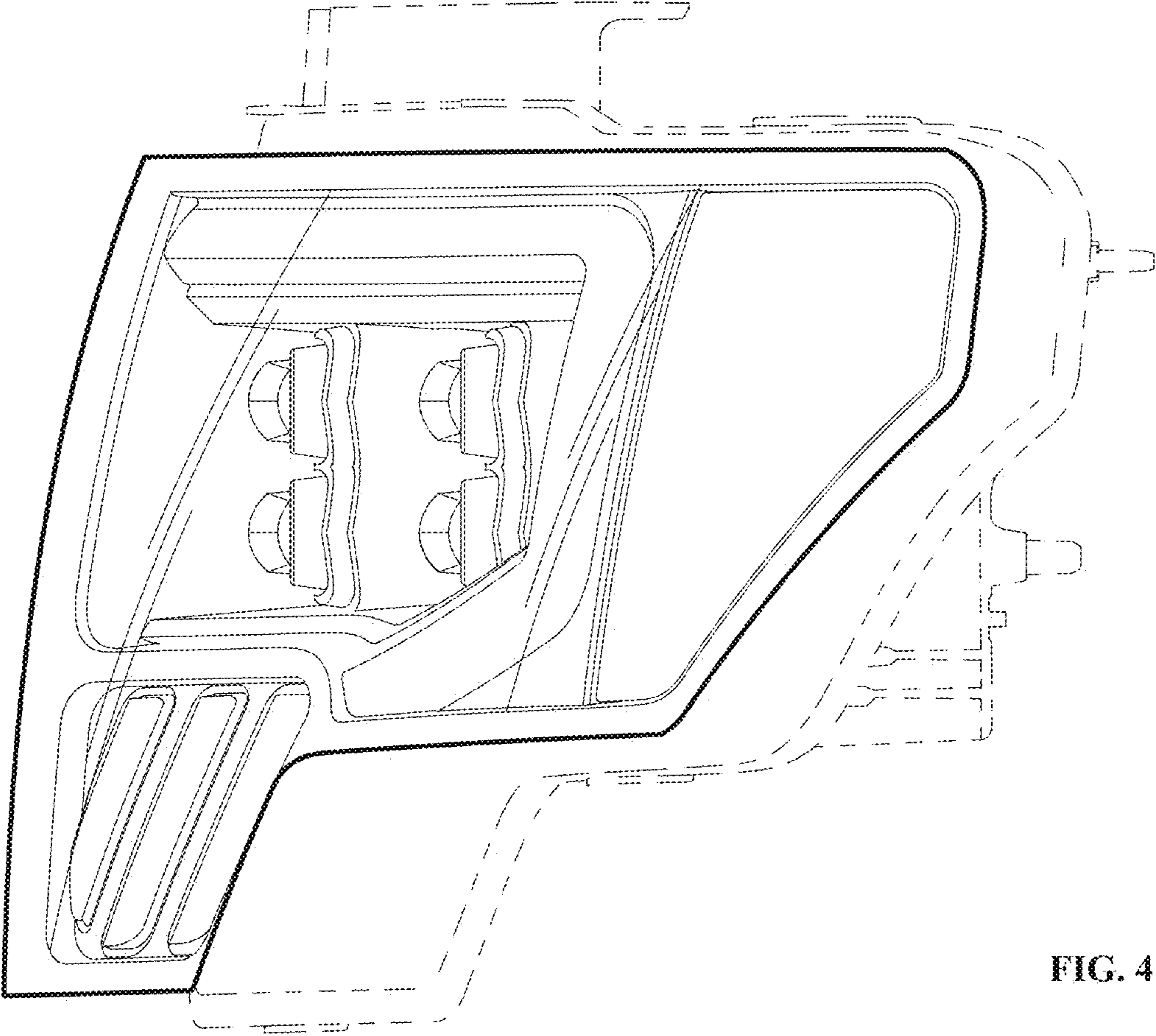


FIG. 4

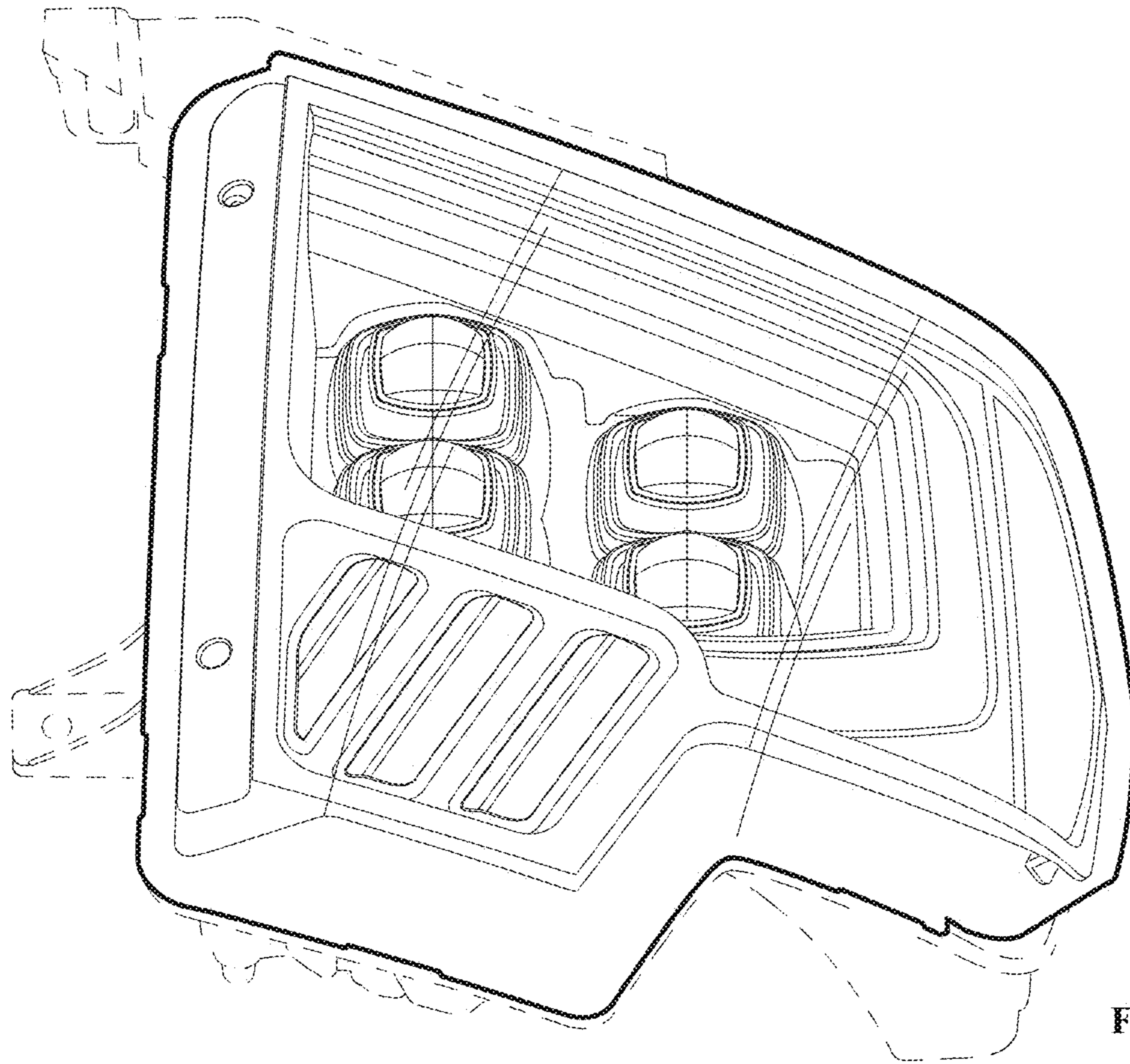


FIG. 5

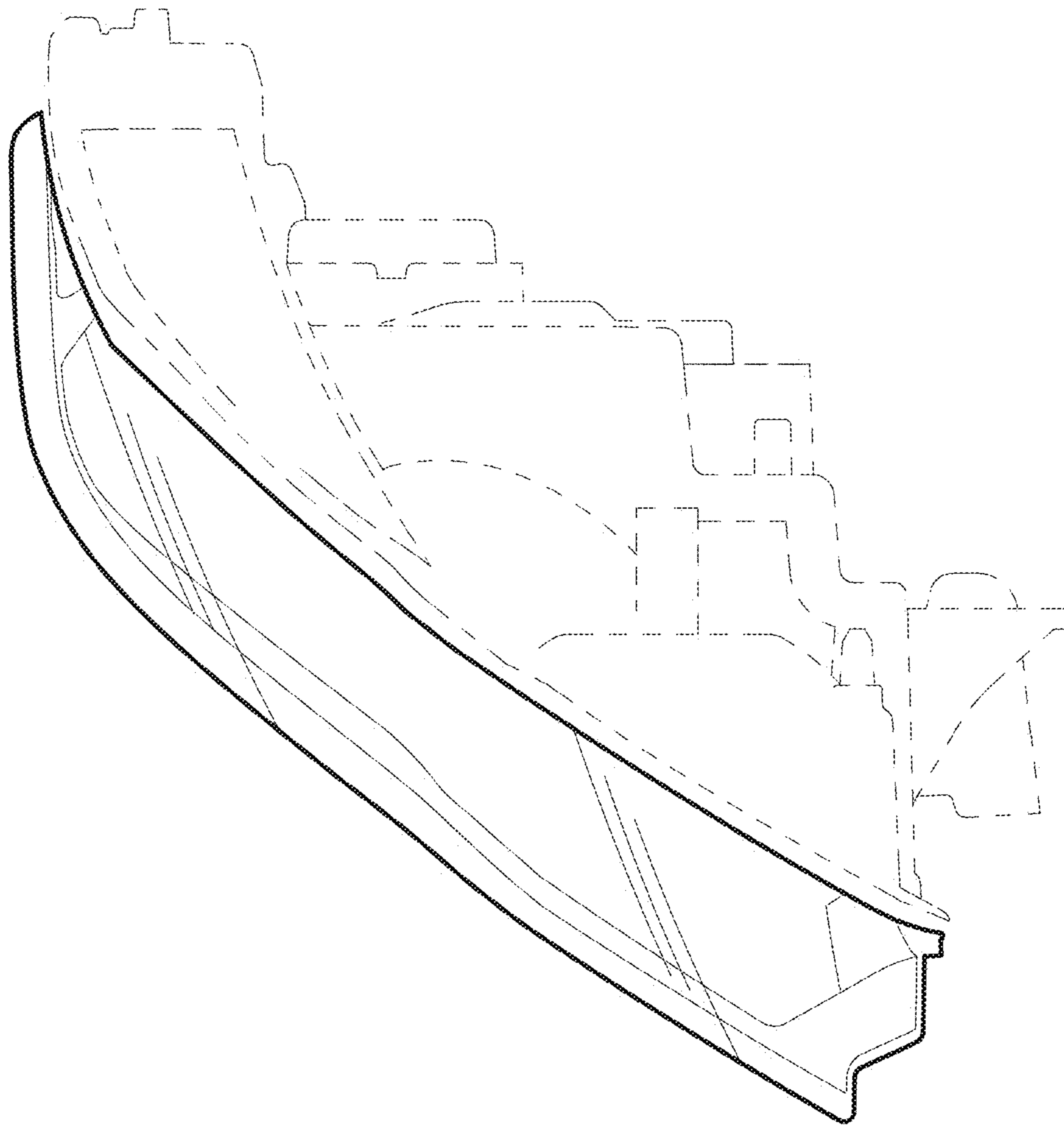


FIG. 6