



US00D874037S

(12) **United States Design Patent**  
**Grabowski**

(10) **Patent No.:** **US D874,037 S**  
(45) **Date of Patent:** **\*\* Jan. 28, 2020**

- (54) **UPPER BUMPER LAMP**
- (71) Applicant: **Automotive Lighting LLC**, Auburn Hills, MI (US)
- (72) Inventor: **William A. Grabowski**, Northville, MI (US)
- (73) Assignee: **Automotive Lighting LLC**, Auburn Hills, MI (US)
- (\*\*) Term: **15 Years**
- (21) Appl. No.: **29/669,389**
- (22) Filed: **Nov. 7, 2018**
- (51) **LOC (12) Cl.** ..... **26-06**
- (52) **U.S. Cl.**  
USPC ..... **D26/28**
- (58) **Field of Classification Search**  
USPC ..... D26/28-36; 345/459-468, 475-478, 345/485-487  
CPC ..... F21S 48/00; F21S 48/10; F21S 48/115; F21S 48/225; F21S 48/1233; F21S 48/1266; F21S 48/1388; F21S 48/2268; F21V 21/04  
See application file for complete search history.

- D793,592 S \* 8/2017 Chen ..... D26/28
- D798,475 S \* 9/2017 Georgitsis ..... D26/28
- D839,458 S \* 1/2019 Ting ..... D26/28
- D843,620 S \* 3/2019 LaMarche ..... D26/28
- D854,204 S \* 7/2019 Ting ..... D26/28
- D855,844 S \* 8/2019 Peng ..... D26/28
- D857,258 S \* 8/2019 Lin ..... D26/28

\* cited by examiner

*Primary Examiner* — Angela J Lee  
(74) *Attorney, Agent, or Firm* — Howard & Howard Attorneys PLLC

(57) **CLAIM**

The ornamental design for a upper bumper lamp, as shown and described.

**DESCRIPTION**

FIG. 1 is a front perspective view of the upper bumper lamp design of the present invention;  
 FIG. 2 is a rear perspective view of the upper bumper lamp design of the present invention;  
 FIG. 3 is a front view of the upper bumper lamp design of the present invention;  
 FIG. 4 is a top view of the upper bumper lamp design of the present invention;  
 FIG. 5 is a bottom view of the upper bumper lamp design of the present invention;  
 FIG. 6 is a side view of the upper bumper lamp design of the present invention; and,  
 FIG. 7 is an opposite side view of the upper bumper lamp design of the present invention.

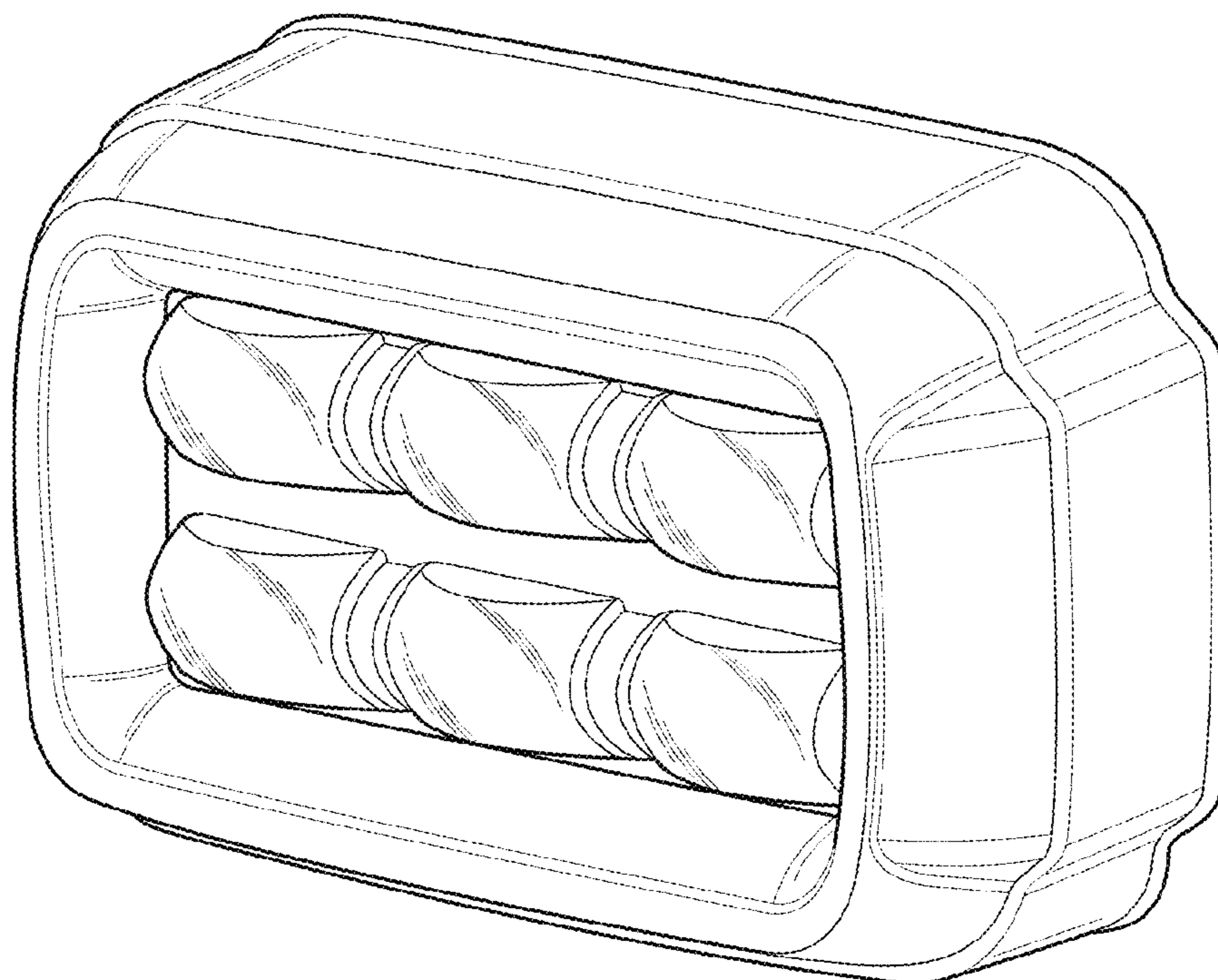
The broken lines shown in the drawings represent portions of the upper bumper lamp with cornering lamp that form no part of the claimed design.

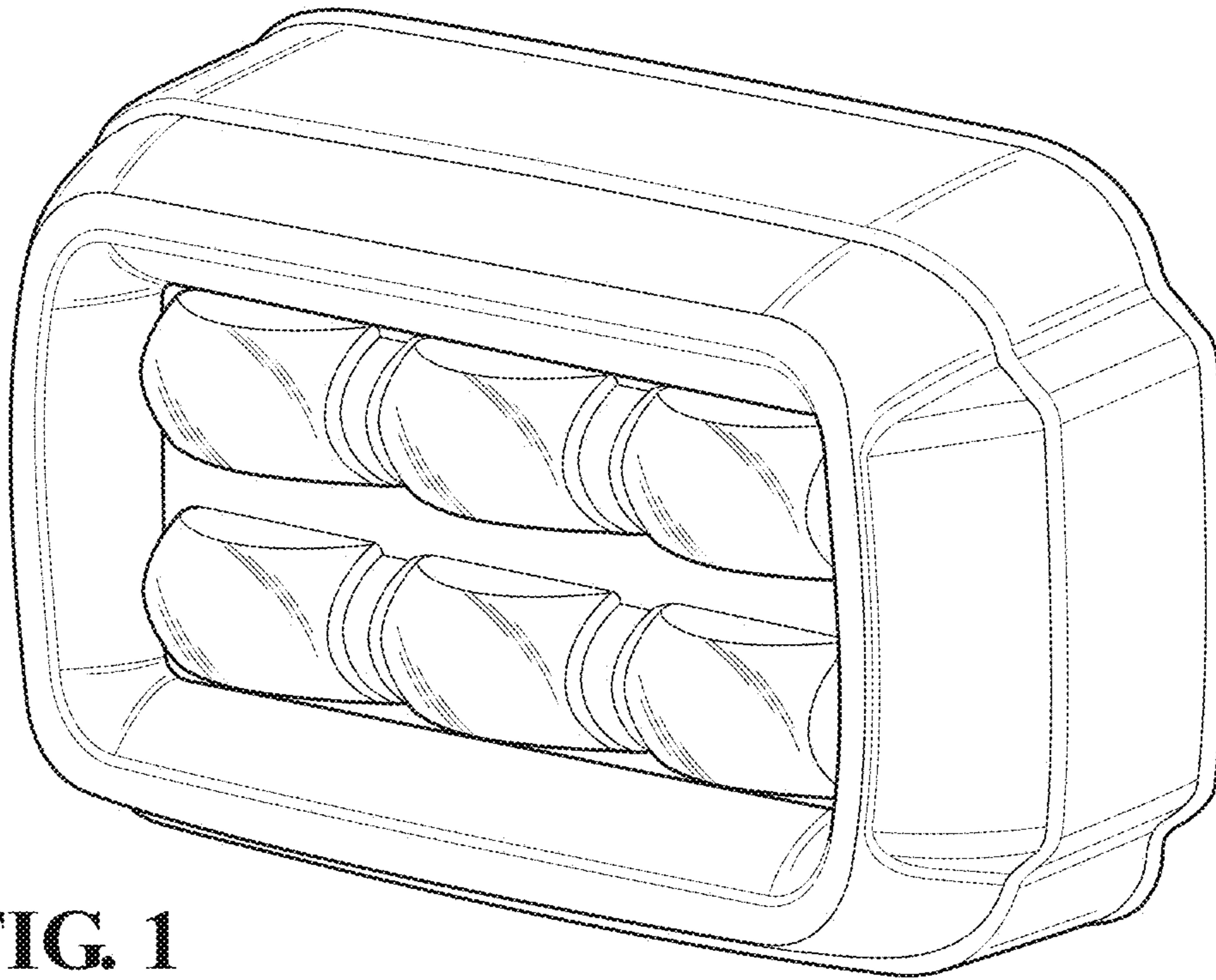
**1 Claim, 3 Drawing Sheets**

(56) **References Cited**

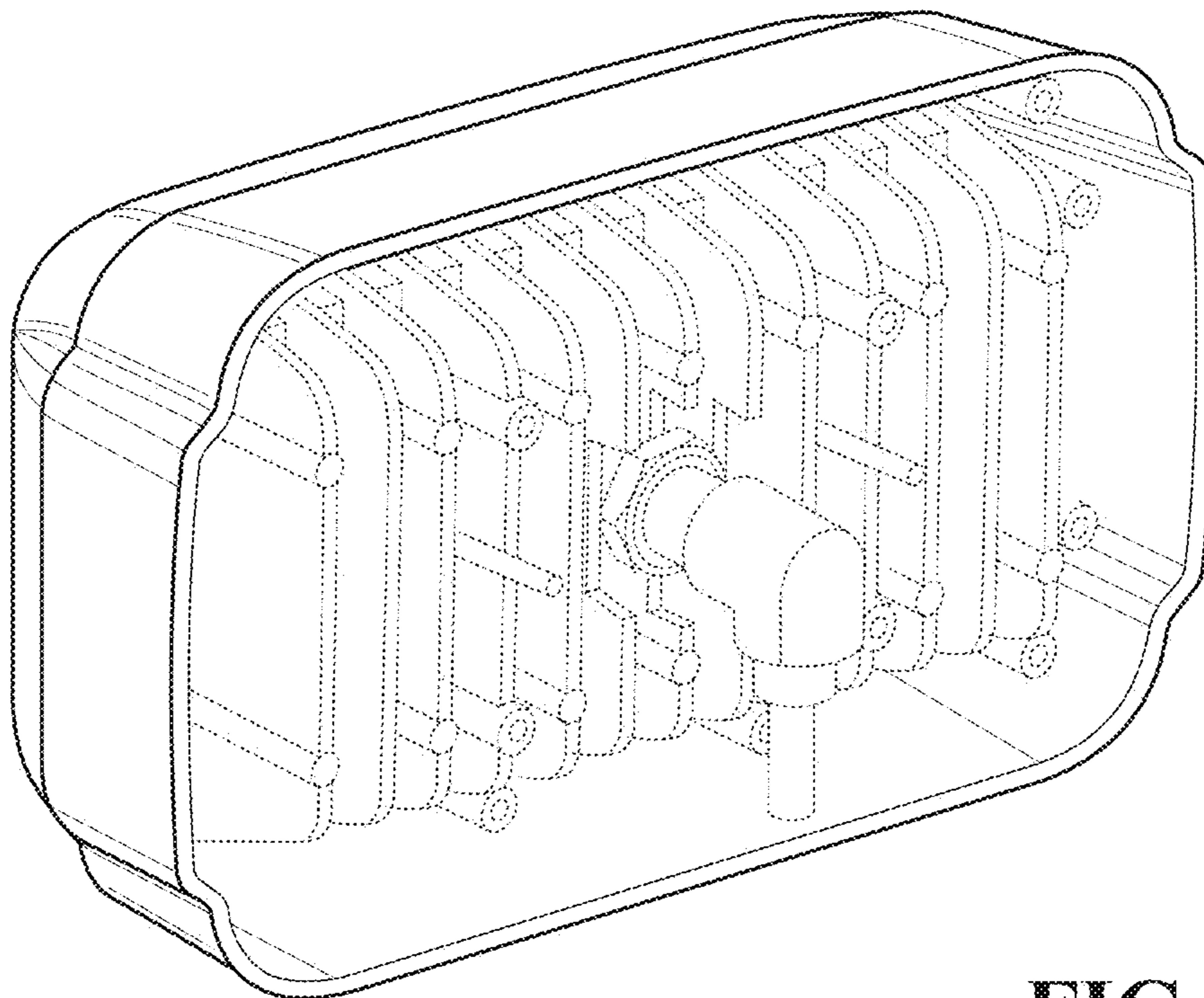
**U.S. PATENT DOCUMENTS**

- D677,813 S \* 3/2013 Hanaoka ..... D26/28
- D711,024 S \* 8/2014 Kuwano ..... D26/28
- D736,971 S \* 8/2015 Duff ..... D26/28
- D765,290 S \* 8/2016 Adams ..... D26/28
- D782,711 S \* 3/2017 Dunshee ..... D26/28

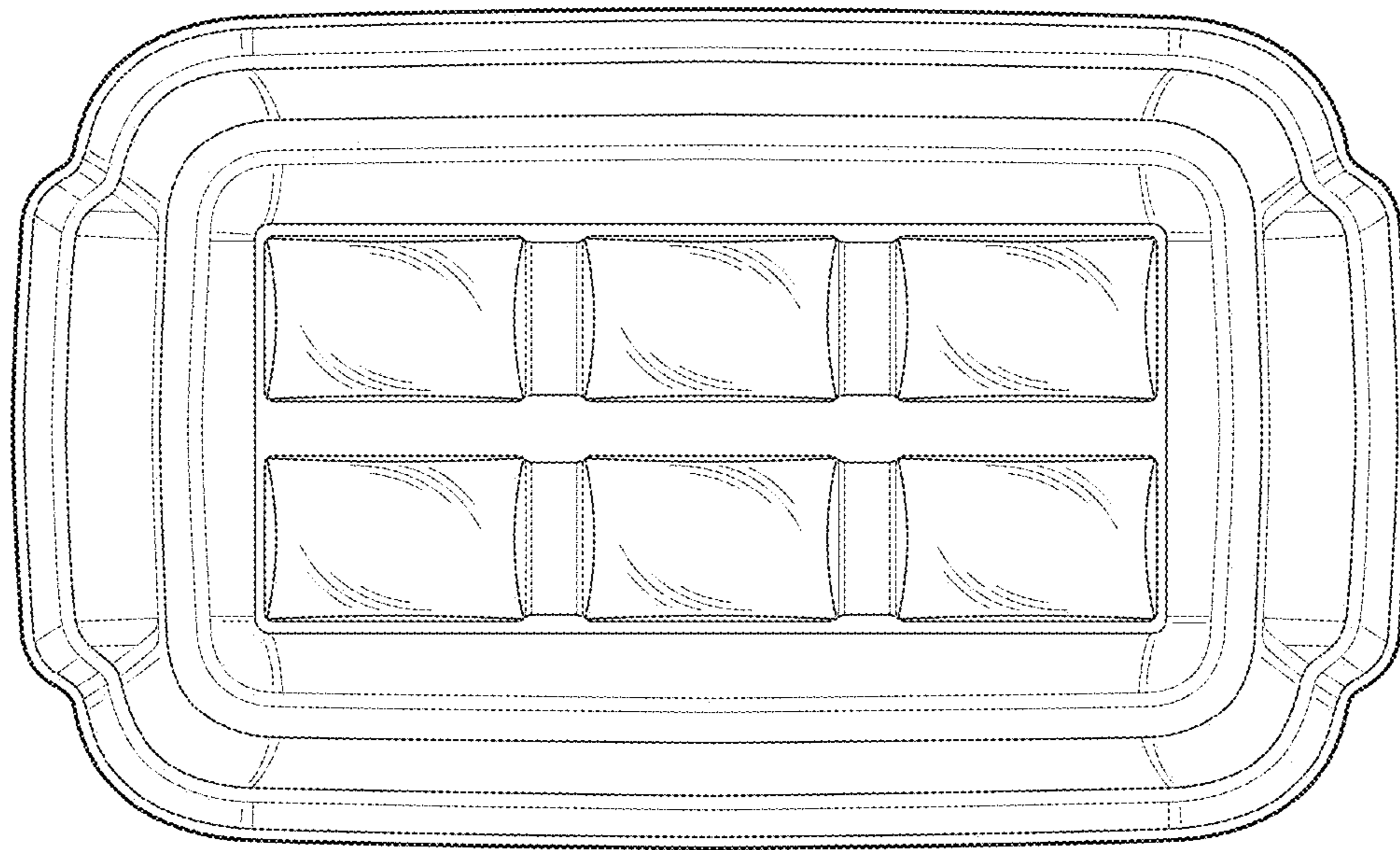




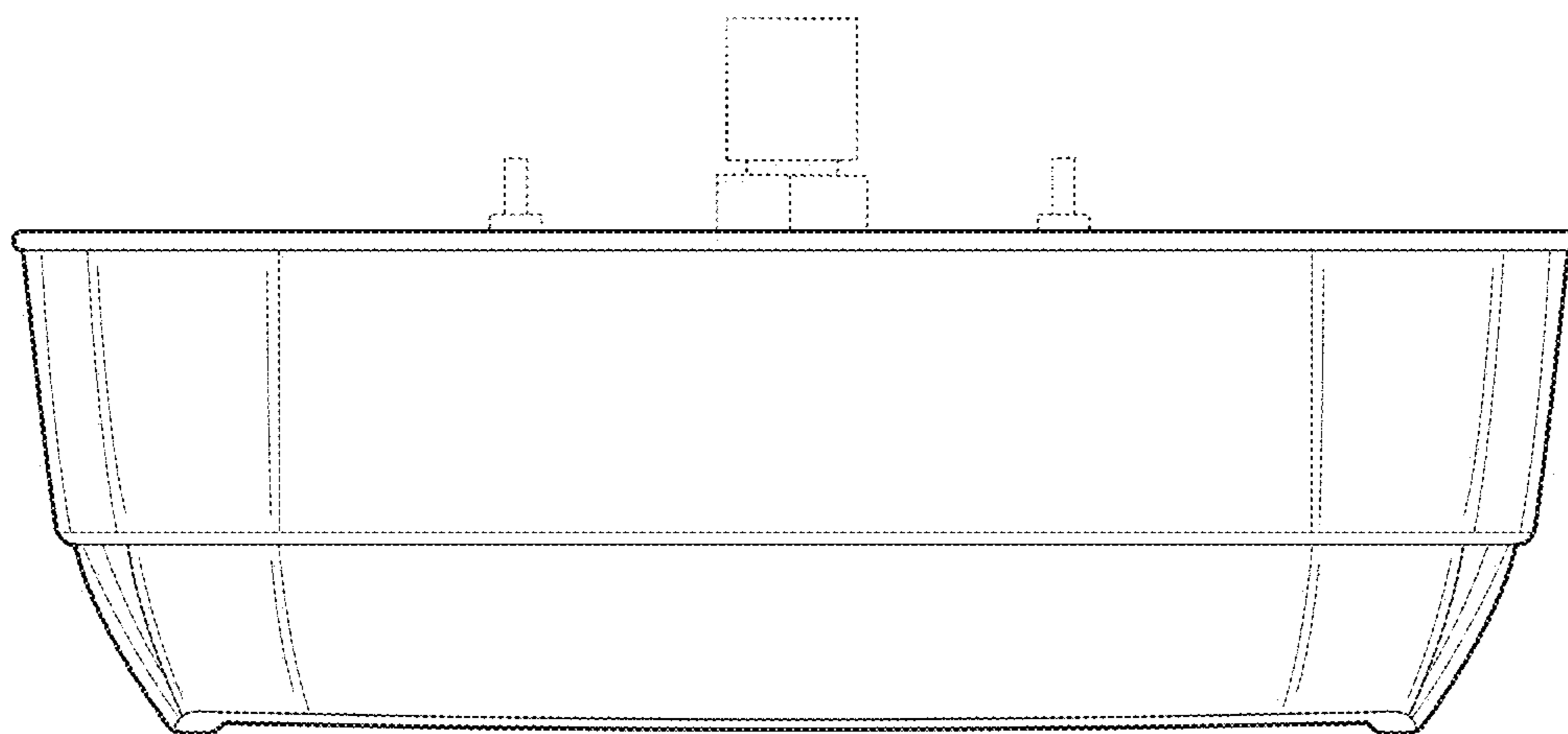
**FIG. 1**



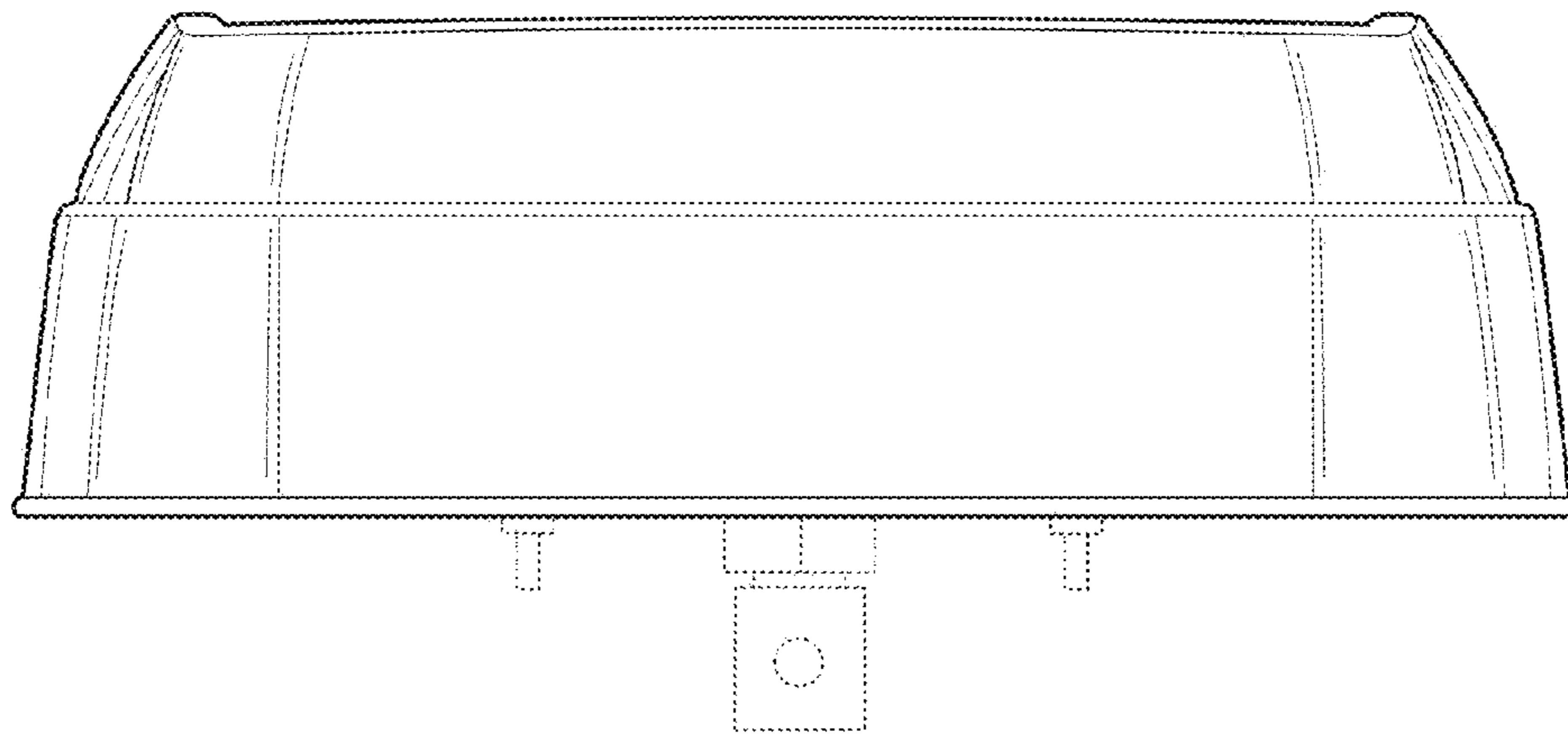
**FIG. 2**



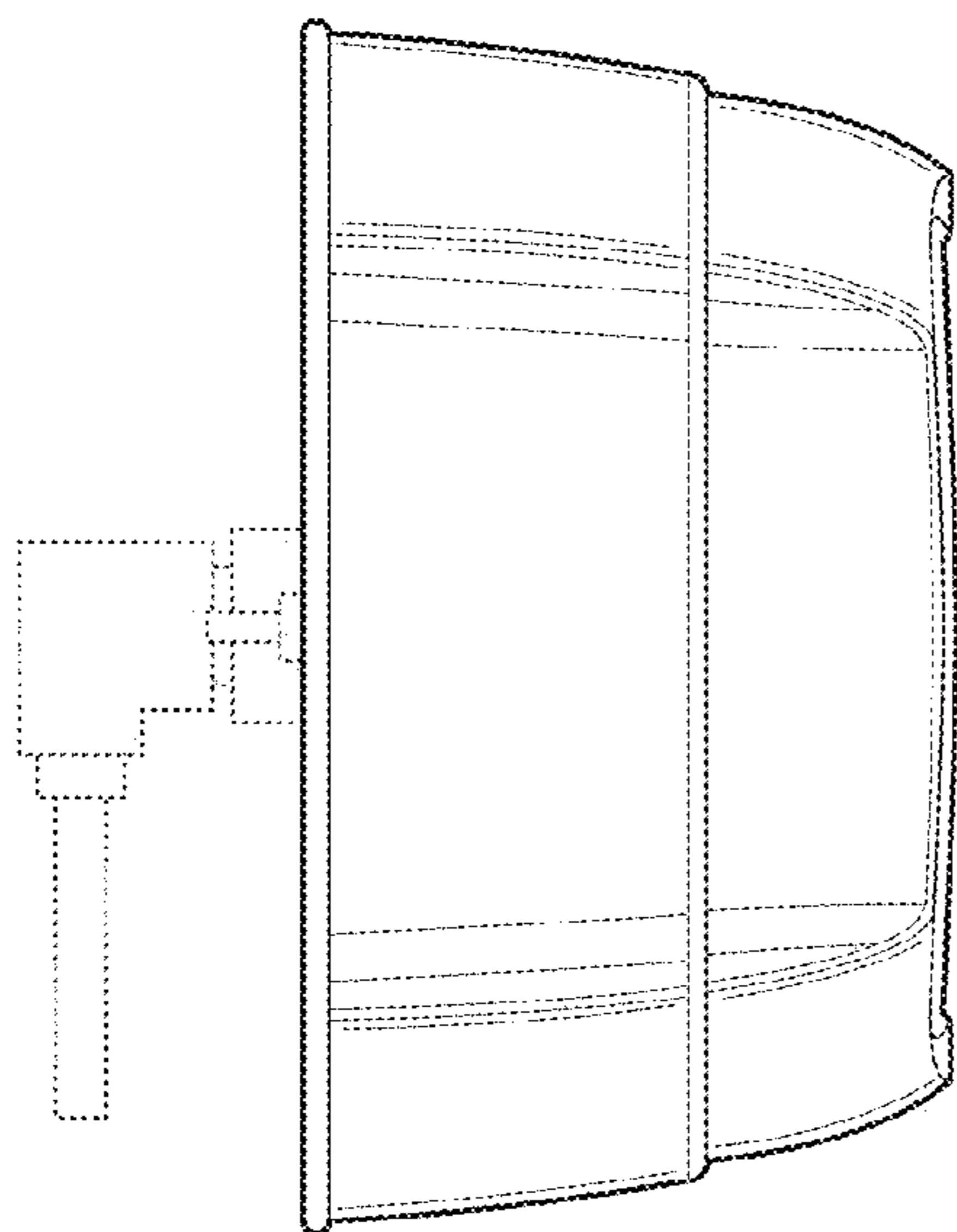
**FIG. 3**



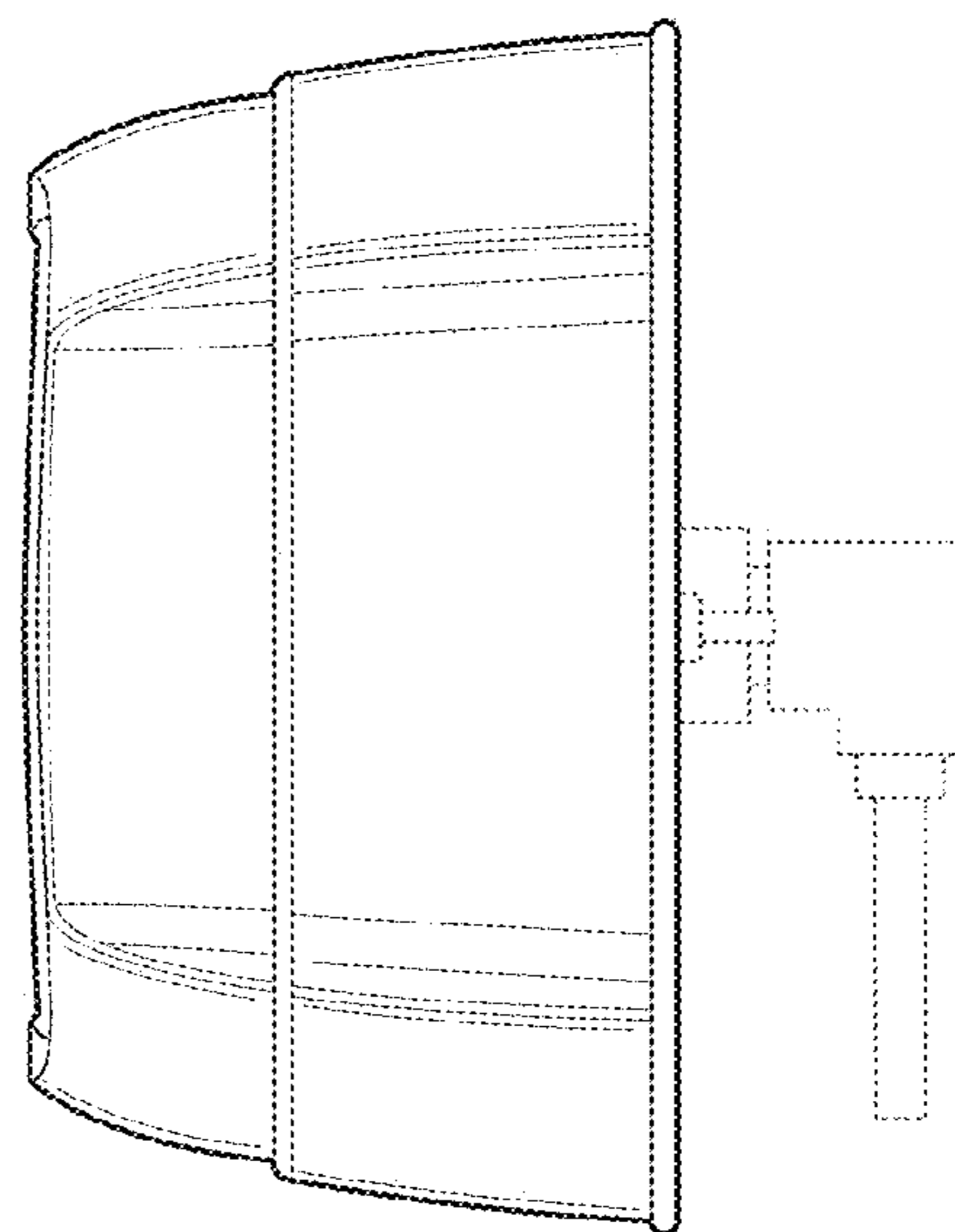
**FIG. 4**



**FIG. 5**



**FIG. 6**



**FIG. 7**