



US00D874033S

(12) **United States Design Patent**  
**Park Cheng et al.**

(10) **Patent No.:** **US D874,033 S**  
(45) **Date of Patent:** **\*\* Jan. 28, 2020**

- (54) **VEHICLE REAR TAILLAMP**
- (71) Applicant: **GM GLOBAL TECHNOLOGY OPERATIONS LLC**, Detroit, MI (US)
- (72) Inventors: **Christine Park Cheng**, Rochester, MI (US); **Zachary K. Parkinson**, Bloomfield Hills, MI (US); **Thomas Bergeron**, Rochester, MI (US)
- (73) Assignee: **GM GLOBAL TECHNOLOGY OPERATIONS LLC**, Detroit, MI (US)
- (\*\*) Term: **15 Years**
- (21) Appl. No.: **29/650,884**
- (22) Filed: **Jun. 11, 2018**
- (51) **LOC (12) Cl.** ..... **26-06**
- (52) **U.S. Cl.**  
USPC ..... **D26/28**
- (58) **Field of Classification Search**  
USPC ..... D26/28-36, 139  
CPC ..... F21S 48/00; F21S 48/10; F21S 48/115;  
F21S 48/225; F21S 48/1233; F21S 48/1266; F21S 48/1388; F21S 48/2268;  
F21V 21/04; B60Q 9/13; B60Q 9/135;  
B60Q 9/1375  
See application file for complete search history.

- (56) **References Cited**  
U.S. PATENT DOCUMENTS
- |              |        |               |       |        |
|--------------|--------|---------------|-------|--------|
| D521,660 S * | 5/2006 | Kubota        | ..... | D26/28 |
| D549,363 S * | 8/2007 | Pfeiffer      | ..... | D26/28 |
| D560,292 S * | 1/2008 | Sato          | ..... | D26/28 |
| D570,742 S   | 6/2008 | Takagi et al. |       |        |
| D590,968 S * | 4/2009 | Ryousuke      | ..... | D26/28 |
| D592,105 S   | 5/2009 | Dean et al.   |       |        |
| D597,447 S   | 8/2009 | Folden        |       |        |

- |              |         |                      |              |
|--------------|---------|----------------------|--------------|
| D600,595 S   | 9/2009  | Nakamura et al.      |              |
| D601,925 S   | 10/2009 | O'Donnell            |              |
| D603,755 S   | 11/2009 | Peters               |              |
| D604,203 S   | 11/2009 | O'Donnell            |              |
| D605,082 S   | 12/2009 | Munson               |              |
| D605,083 S   | 12/2009 | Manoogian, II et al. |              |
| D605,977 S   | 12/2009 | Zipfel et al.        |              |
| D605,978 S   | 12/2009 | Wolff et al.         |              |
| D608,249 S   | 1/2010  | Peters               |              |
| D608,690 S   | 1/2010  | Folden et al.        |              |
| D608,691 S   | 1/2010  | Zak, Jr. et al.      |              |
| D609,608 S   | 2/2010  | Boniface et al.      |              |
| D611,387 S   | 3/2010  | Thompson et al.      |              |
| D611,879 S   | 3/2010  | Kim et al.           |              |
| D612,297 S   | 3/2010  | Peters et al.        |              |
| D613,645 S   | 4/2010  | Song et al.          |              |
| D615,458 S   | 5/2010  | Thompson et al.      |              |
| D617,922 S * | 6/2010  | Miyata               | ..... D26/28 |
| D618,595 S   | 6/2010  | Ware et al.          |              |
| D623,090 S   | 9/2010  | Cox et al.           |              |
| D627,262 S   | 11/2010 | Ikeda et al.         |              |

(Continued)

Primary Examiner — Marcus A Jackson

(57) **CLAIM**

The ornamental design for a vehicle rear taillamp, as shown and described.

**DESCRIPTION**

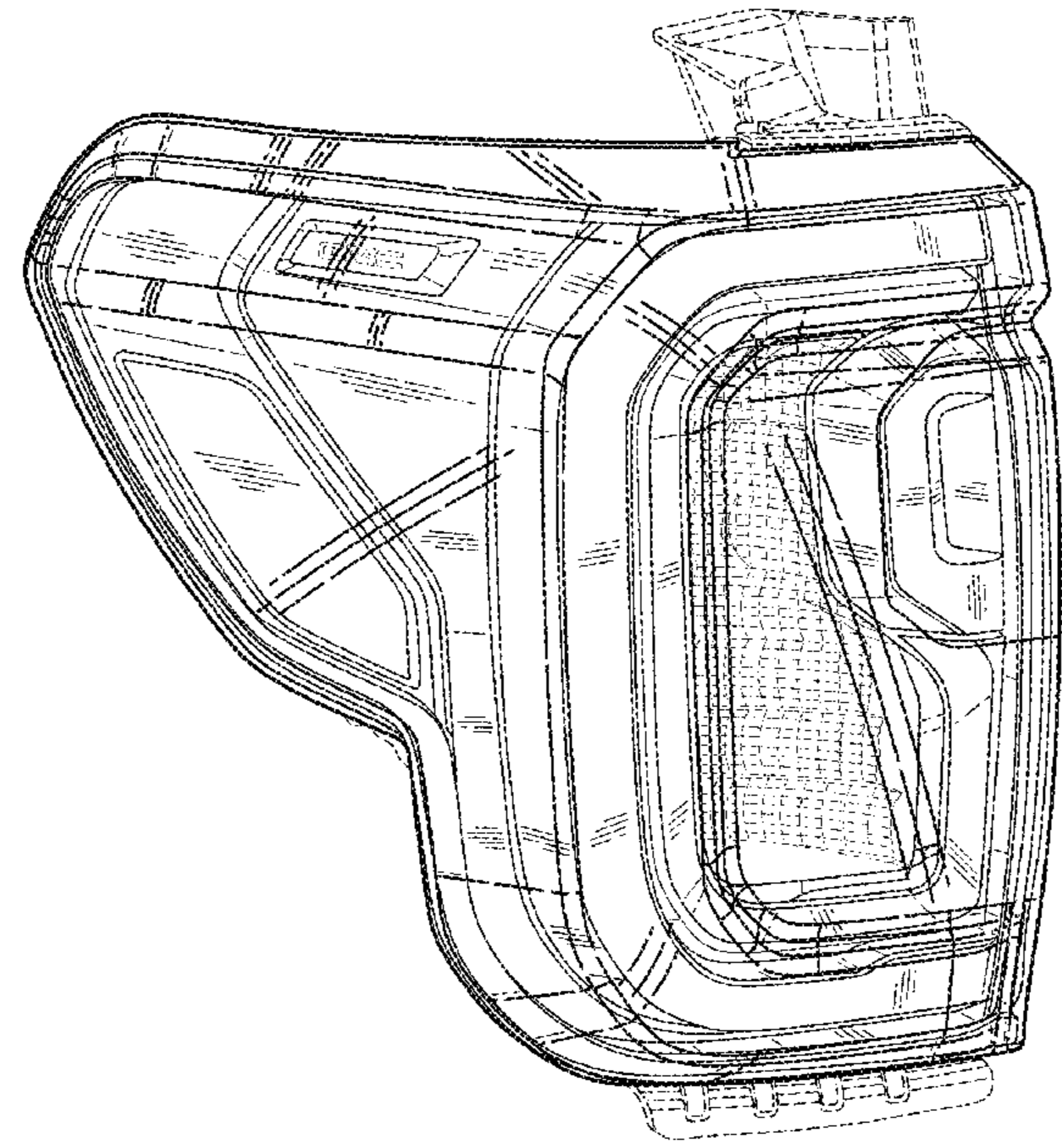
FIG. 1 is a perspective view of a vehicle rear taillamp showing my new design (the vehicle rear taillamp of the figures being situated on the leftside of a vehicle, the rightside vehicle rear taillamp being a mirror image of this leftside vehicle rear taillamp and is not shown);

FIG. 2 is a front view of the vehicle rear taillamp of FIG. 1;

FIG. 3 is a side view of the vehicle rear taillamp of FIG. 1; and,

FIG. 4 is a top view of the vehicle rear taillamp of FIG. 1. The broken lines in the drawings illustrate portions of the vehicle rear taillamp that form no part of the claimed design.

**1 Claim, 4 Drawing Sheets**



(56)

References Cited

U.S. PATENT DOCUMENTS

D635,488 S	4/2011	Phipps		D749,027 S	2/2016	McMahan et al.
D642,303 S	* 7/2011	King .....	D26/28	D749,246 S	2/2016	Thole et al.
D644,147 S	8/2011	Suh et al.		D749,249 S	2/2016	Thole et al.
D644,567 S	9/2011	Kozub		D749,250 S	2/2016	Thole et al.
D657,718 S	4/2012	Zipfel et al.		D749,985 S	2/2016	Kozub et al.
D659,052 S	5/2012	Ware et al.		D749,997 S	2/2016	McMahan et al.
D659,053 S	5/2012	Ware et al.		D750,001 S	2/2016	Thole et al.
D663,874 S	* 7/2012	Kono .....	D26/28	D753,032 S	4/2016	Smith et al.
D668,182 S	10/2012	Barba Franco et al.		D753,033 S	4/2016	Thole et al.
D668,183 S	10/2012	Smart		D753,034 S	4/2016	Thole et al.
D678,820 S	3/2013	Son et al.		D753,035 S	4/2016	Boniface et al.
D678,821 S	3/2013	Ikeda et al.		D753,559 S	4/2016	McMahan et al.
D680,909 S	4/2013	Munson et al.		D753,560 S	4/2016	McMahan et al.
D680,910 S	4/2013	David		D753,567 S	4/2016	Boniface et al.
D684,899 S	6/2013	Baker		D754,571 S	4/2016	Boniface et al.
D686,536 S	7/2013	McCabe et al.		D754,572 S	4/2016	McMahan et al.
D692,798 S	11/2013	Thurber		D755,088 S	5/2016	McMahan et al.
D692,799 S	11/2013	Smith et al.		D756,869 S	5/2016	McMahan et al.
D696,157 S	12/2013	Loeb		D758,271 S	6/2016	McMahan et al.
D699,629 S	2/2014	Ikeda et al.		D764,975 S	8/2016	Aengenheyster
D700,871 S	3/2014	O'Donnell et al.		D764,976 S	8/2016	Aengenheyster
D703,103 S	4/2014	Lee		D767,449 S	9/2016	Pevovar et al.
D704,103 S	5/2014	Mack et al.		D767,450 S	9/2016	Lee et al.
D705,132 S	5/2014	Ware et al.		D767,451 S	9/2016	Kozub et al.
D705,699 S	5/2014	Ware et al.		D767,454 S	9/2016	McMahan et al.
D713,298 S	9/2014	Dyson		D767,458 S	9/2016	Kim
D713,764 S	9/2014	Ferlazzo et al.		D767,459 S	9/2016	Kim
D716,696 S	11/2014	Thole et al.		D767,460 S	9/2016	Kozub et al.
D716,706 S	11/2014	Thole et al.		D767,461 S	9/2016	Kozub et al.
D716,709 S	11/2014	Thole et al.		D771,528 S	11/2016	Smith et al.
D717,696 S	11/2014	Thole et al.		D771,529 S	11/2016	Thole et al.
D718,189 S	11/2014	Krieg et al.		D771,532 S	11/2016	Kapitonov
D718,683 S	12/2014	Thole et al.		D771,533 S	11/2016	Kapitonov
D722,282 S	2/2015	Loeb		D772,766 S	11/2016	Kozub et al.
D722,533 S	2/2015	Thole et al.		D772,767 S	11/2016	Kim
D722,534 S	2/2015	Munson et al.		D773,084 S	11/2016	Kapitonov
D724,510 S	3/2015	McMahan et al.		D773,086 S	11/2016	McCabe et al.
D725,001 S	3/2015	McMahan et al.		D774,226 S	12/2016	McCabe et al.
D726,591 S	4/2015	Jacob		D775,003 S	12/2016	Pevovar et al.
D730,776 S	6/2015	Smart		D775,007 S	12/2016	Thole et al.
D730,783 S	6/2015	Henriques et al.		D775,010 S	12/2016	Kim et al.
D732,427 S	6/2015	Loeb		D775,049 S	12/2016	Scheer et al.
D732,429 S	6/2015	Loeb		D775,549 S	1/2017	Karras
D732,430 S	6/2015	Loeb		D775,554 S	1/2017	Kapitonov
D732,431 S	6/2015	Loeb		D776,020 S	1/2017	Kapitonov
D732,432 S	6/2015	Aengenheyster		D776,581 S	1/2017	Pevovar et al.
D732,433 S	6/2015	Aengenheyster		D776,583 S	1/2017	Scheer et al.
D732,435 S	6/2015	Mackay		D776,841 S	1/2017	Kozub et al.
D733,002 S	6/2015	Loeb		D776,843 S	1/2017	McCabe et al.
D735,611 S	8/2015	Aengenheyster		D776,846 S	1/2017	Willett et al.
D735,627 S	8/2015	Smith		D777,359 S	1/2017	Kozub et al.
D736,451 S	8/2015	Smith		D777,360 S	1/2017	Kozub et al.
D739,306 S	9/2015	McMahan et al.		D777,361 S	1/2017	Kozub et al.
D739,317 S	9/2015	McMahan et al.		D777,604 S	1/2017	McNerney
D741,223 S	10/2015	Kim et al.		D777,605 S	1/2017	Ferlazzo et al.
D743,309 S	11/2015	Thole et al.		D777,620 S	1/2017	Pevovar et al.
D743,313 S	11/2015	Smith et al.		D777,621 S	1/2017	Kim
D743,314 S	11/2015	Thole et al.		D777,622 S	1/2017	Kozub et al.
D743,857 S	11/2015	McMahan et al.		D777,628 S	1/2017	Kozub et al.
D744,158 S	11/2015	Willett et al.		D777,955 S	1/2017	Willett et al.
D745,086 S	12/2015	Finos et al.		D778,212 S	2/2017	Kozub et al.
D745,719 S	12/2015	Boniface et al.		D778,215 S	2/2017	Kozub et al.
D745,725 S	12/2015	McMahan et al.		D780,064 S	2/2017	Smith et al.
D745,726 S	12/2015	McMahan et al.		D780,067 S	2/2017	Zipfel et al.
D745,837 S	12/2015	Smith et al.		D780,068 S	2/2017	Whitla et al.
D746,726 S	1/2016	Smith et al.		D780,077 S	2/2017	Kim et al.
D746,727 S	1/2016	Smith et al.		D780,081 S	2/2017	Lee
D746,728 S	1/2016	Smith et al.		D780,084 S	2/2017	Scheer et al.
D746,729 S	1/2016	Boniface et al.		D780,631 S	3/2017	Kozub et al.
D746,730 S	1/2016	Kim et al.		D780,644 S	3/2017	Kim et al.
D747,514 S	1/2016	McMahan et al.		D781,184 S	3/2017	Thole et al.
D747,515 S	1/2016	McMahan et al.		D781,192 S	3/2017	Kozub et al.
D747,819 S	1/2016	Thole et al.		D782,379 S	3/2017	Wassell
D749,021 S	2/2016	Boniface et al.		D783,482 S	4/2017	Smith et al.
D749,026 S	2/2016	Smith et al.		D784,213 S	4/2017	Karras
				D784,223 S	4/2017	Lee
				D784,226 S	4/2017	Cheng
				D784,579 S	4/2017	Cheng et al.
				D784,877 S	4/2017	Lee

(56)

## References Cited

## U.S. PATENT DOCUMENTS

D784,886 S	4/2017	Smith et al.	D801,577 S	10/2017	Ruiz
D785,521 S	5/2017	Smith et al.	D801,882 S	11/2017	Kozub et al.
D786,149 S	5/2017	Pevovar et al.	D802,205 S	11/2017	Ruiz
D786,743 S	5/2017	Smith et al.	D802,478 S	11/2017	Perkins
D786,750 S	5/2017	Lee	D802,491 S	11/2017	Mainville
D787,446 S	5/2017	Cockerill	D802,496 S	11/2017	Mainville
D787,984 S	5/2017	Fang	D802,502 S	11/2017	McMahan
D787,988 S	5/2017	Lee	D803,727 S	11/2017	Noone et al.
D787,989 S	5/2017	Kozub et al.	D803,731 S	11/2017	Zipfel
D787,990 S	5/2017	Kozub et al.	D804,370 S	12/2017	Kozub et al.
D787,992 S	5/2017	Lee	D804,371 S	12/2017	Whitla et al.
D787,993 S	5/2017	McCabe et al.	D804,372 S	12/2017	Kozub
D788,001 S	5/2017	Lee	D804,378 S	12/2017	Perkins
D788,641 S	6/2017	Arnold	D804,379 S	12/2017	McMahan
D788,644 S	6/2017	Mueller	D805,006 S	12/2017	Nakamura
D788,645 S	6/2017	Mueller	D805,013 S	12/2017	Whitla
D789,250 S	6/2017	Arnold	D805,014 S	12/2017	Zipfel
D789,260 S	6/2017	Smith	D805,441 S	12/2017	Karras
D789,575 S	6/2017	Willett	D805,964 S	12/2017	Whitla
D789,841 S	6/2017	Malczewski	D805,965 S	12/2017	Davis
D789,849 S	6/2017	Lee	D805,966 S	12/2017	Perkins
D791,018 S	7/2017	Mylenek	D805,985 S	12/2017	Nakamura
D791,644 S	7/2017	Fang	D807,232 S	1/2018	Bailie
D792,290 S	7/2017	Smith et al.	D807,239 S	1/2018	Perkins
D792,293 S	7/2017	McCabe et al.	D807,240 S	1/2018	Perkins
D792,294 S	7/2017	McCabe et al.	D807,241 S	1/2018	Perkins
D792,295 S	7/2017	McCabe et al.	D809,442 S	2/2018	Zipfel et al.
D792,815 S	7/2017	Kozub	D811,269 S	2/2018	Thompson et al.
D792,816 S	7/2017	Kozub	D811,942 S	3/2018	Jacob
D793,290 S	8/2017	Kozub	D811,957 S	3/2018	Whitla et al.
D793,292 S	8/2017	Lee	D811,958 S	3/2018	Zipfel et al.
D793,293 S	8/2017	Lee et al.	D811,959 S	3/2018	Perkins
D793,294 S	8/2017	Lee	D811,960 S	3/2018	Nakamura
D793,295 S	8/2017	McCabe et al.	D811,961 S	3/2018	Sullivan
D793,296 S	8/2017	Smith et al.	D811,962 S	3/2018	Sullivan
D793,297 S	8/2017	Smith et al.	D811,963 S	3/2018	Sullivan
D793,299 S	8/2017	Kreig et al.	D811,964 S	3/2018	Perkins
D793,300 S	8/2017	Kreig et al.	D811,965 S	3/2018	Moffett et al.
D793,301 S	8/2017	Kozub	D812,525 S	3/2018	Lee
D793,302 S	8/2017	Kozub	D812,526 S	3/2018	Zipfel et al.
D793,311 S	8/2017	Whitla et al.	D812,527 S	3/2018	Perkins
D793,590 S	8/2017	Kozub et al.	D812,528 S	3/2018	Nakamura
D793,591 S	8/2017	Kozub et al.	D813,098 S	3/2018	Thompson et al.
D793,917 S	8/2017	Kozub	D813,109 S	3/2018	Zipfel et al.
D793,918 S	8/2017	Kozub	D813,110 S	3/2018	Whitla et al.
D794,229 S	8/2017	Barry	D813,111 S	3/2018	Sullivan
D794,230 S	8/2017	Kozub	D813,116 S	3/2018	Park
D795,747 S	8/2017	Bailie	D813,117 S	3/2018	Sullivan
D795,757 S	8/2017	Pevovar et al.	D813,121 S	3/2018	Swaneger
D795,758 S	8/2017	Karras	D813,730 S	3/2018	Zipfel et al.
D795,759 S	8/2017	Kozub et al.	D813,731 S	3/2018	McMahan
D795,760 S	8/2017	Kozub et al.	D813,732 S	3/2018	Whitla et al.
D795,762 S	8/2017	Lee	D813,733 S	3/2018	Lee
D795,763 S	8/2017	Kozub	D813,734 S	3/2018	Nakamura
D796,088 S	8/2017	McCabe et al.	D813,740 S	3/2018	Park
D796,093 S	8/2017	Mainville	D813,741 S	3/2018	Perkins
D796,390 S	9/2017	Pevovar et al.	D813,742 S	3/2018	McMahan et al.
D797,537 S	9/2017	Cooper et al.	D813,743 S	3/2018	Lee
D797,603 S	9/2017	Noone et al.	D813,744 S	3/2018	Whitla et al.
D797,614 S	9/2017	Lee	D813,748 S	3/2018	Kim
D797,616 S	9/2017	Lee	D813,753 S	3/2018	Loeb
D797,624 S	9/2017	Nakamura	D813,754 S	3/2018	Loeb
D797,625 S	9/2017	Perkins	D813,755 S	3/2018	Loeb
D797,631 S	9/2017	Pevovar et al.	D813,756 S	3/2018	Loeb
D797,632 S	9/2017	Zipfel et al.	D813,757 S	3/2018	Kozub
D797,967 S	9/2017	Barry	D813,758 S	3/2018	Gonzales
D797,970 S	9/2017	Mainville	D813,759 S	3/2018	Perkins
D797,971 S	9/2017	Mainville	D814,369 S	4/2018	Loeb
D797,972 S	9/2017	Whitla et al.	D814,982 S	4/2018	Whitla et al.
D798,204 S	9/2017	Mainville	D814,983 S	4/2018	Whitla et al.
D799,384 S	10/2017	Kozub et al.	D815,570 S	4/2018	McMahan et al.
D799,385 S	10/2017	Kozub et al.	D815,572 S	4/2018	Perkins
D799,386 S	10/2017	Kozub et al.	D815,573 S	4/2018	Whitla et al.
D799,728 S	10/2017	Whitla et al.	D815,574 S	4/2018	Mainville
D801,236 S	10/2017	Kozub et al.	D815,574 S	4/2018	Mainville
			D815,993 S	4/2018	Kozub et al.
			D815,994 S	4/2018	Nakamura
			D816,003 S	4/2018	Perkins
			D816,558 S	5/2018	McMahan et al.
			D816,559 S	5/2018	McMahan et al.

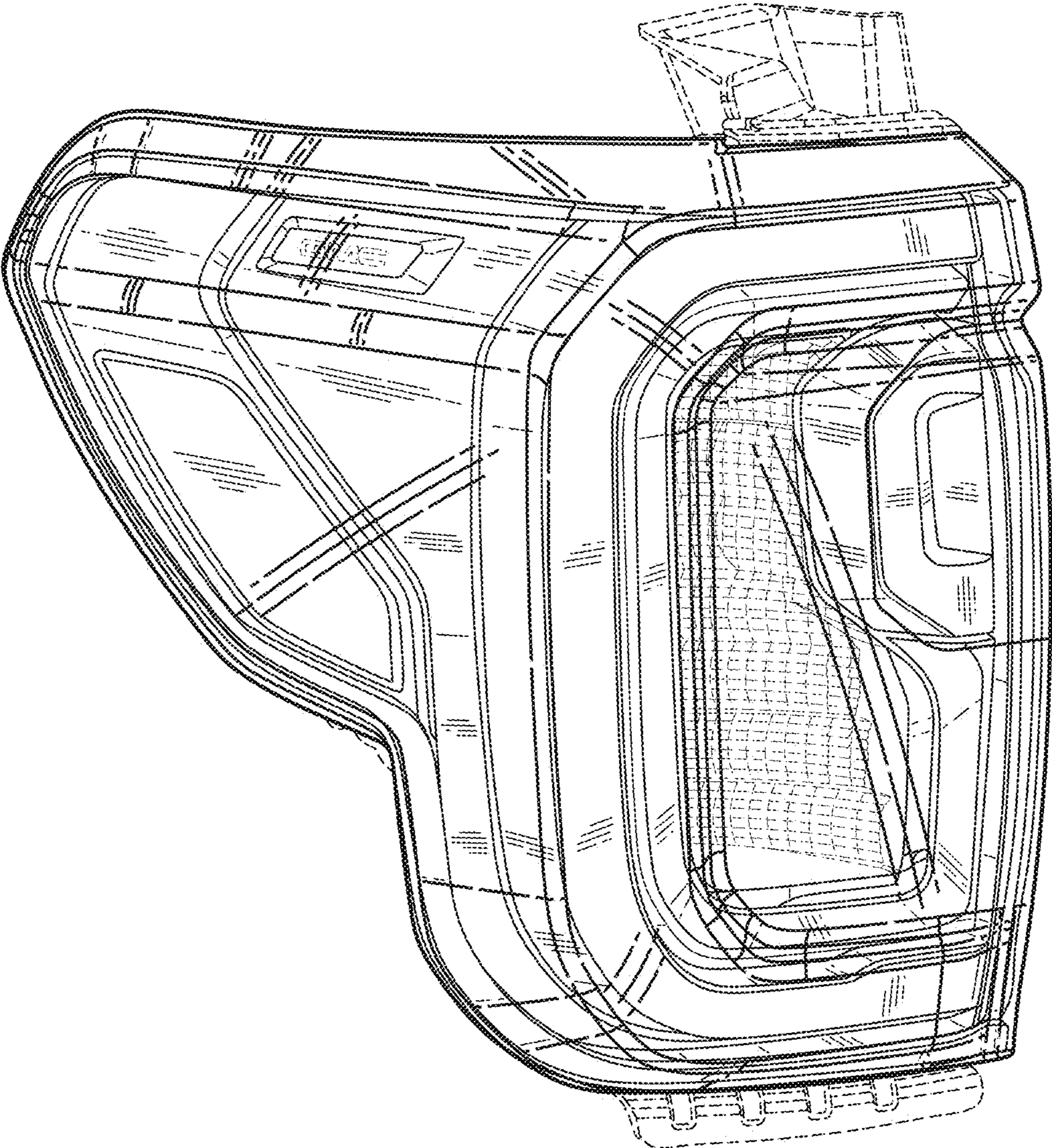
(56)

**References Cited**

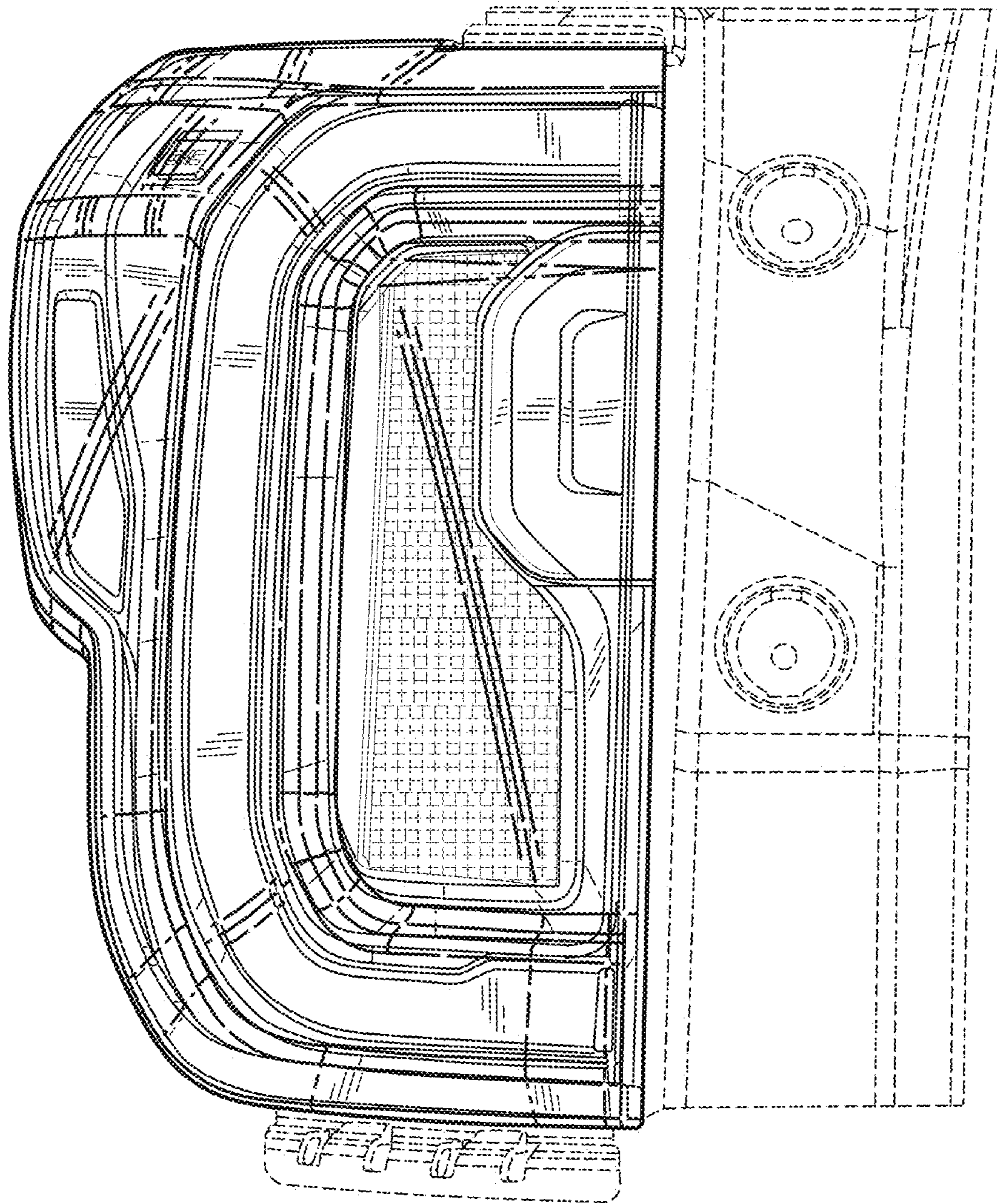
U.S. PATENT DOCUMENTS

D816,561 S	5/2018	McMahan
D816,562 S	5/2018	Whitla et al.
D816,563 S	5/2018	McMahan et al.
D816,564 S	5/2018	Kim
D816,565 S	5/2018	Kim
D816,566 S	5/2018	Loeb
D817,836 S	5/2018	McMahan et al.
D818,156 S	5/2018	Kim et al.
D818,157 S	5/2018	Zipfel et al.
D818,158 S	5/2018	Zipfel et al.
D818,159 S	5/2018	Zipfel et al.
D818,160 S	5/2018	Perkins
D818,406 S	5/2018	McMahan et al.
D818,876 S	5/2018	Whitla et al.
D818,877 S	5/2018	Nakamura et al.
D818,878 S	5/2018	McMahan et al.
D818,892 S	5/2018	Lee
D818,893 S	5/2018	Kim
D818,903 S	5/2018	Zipfel et al.
D818,906 S	5/2018	McMahan
D818,907 S	5/2018	Whitla et al.
D818,915 S	5/2018	Kozub et al.
D818,922 S	5/2018	Whitla et al.
D819,505 S	6/2018	McMahan et al.
D819,519 S	6/2018	Whitla et al.

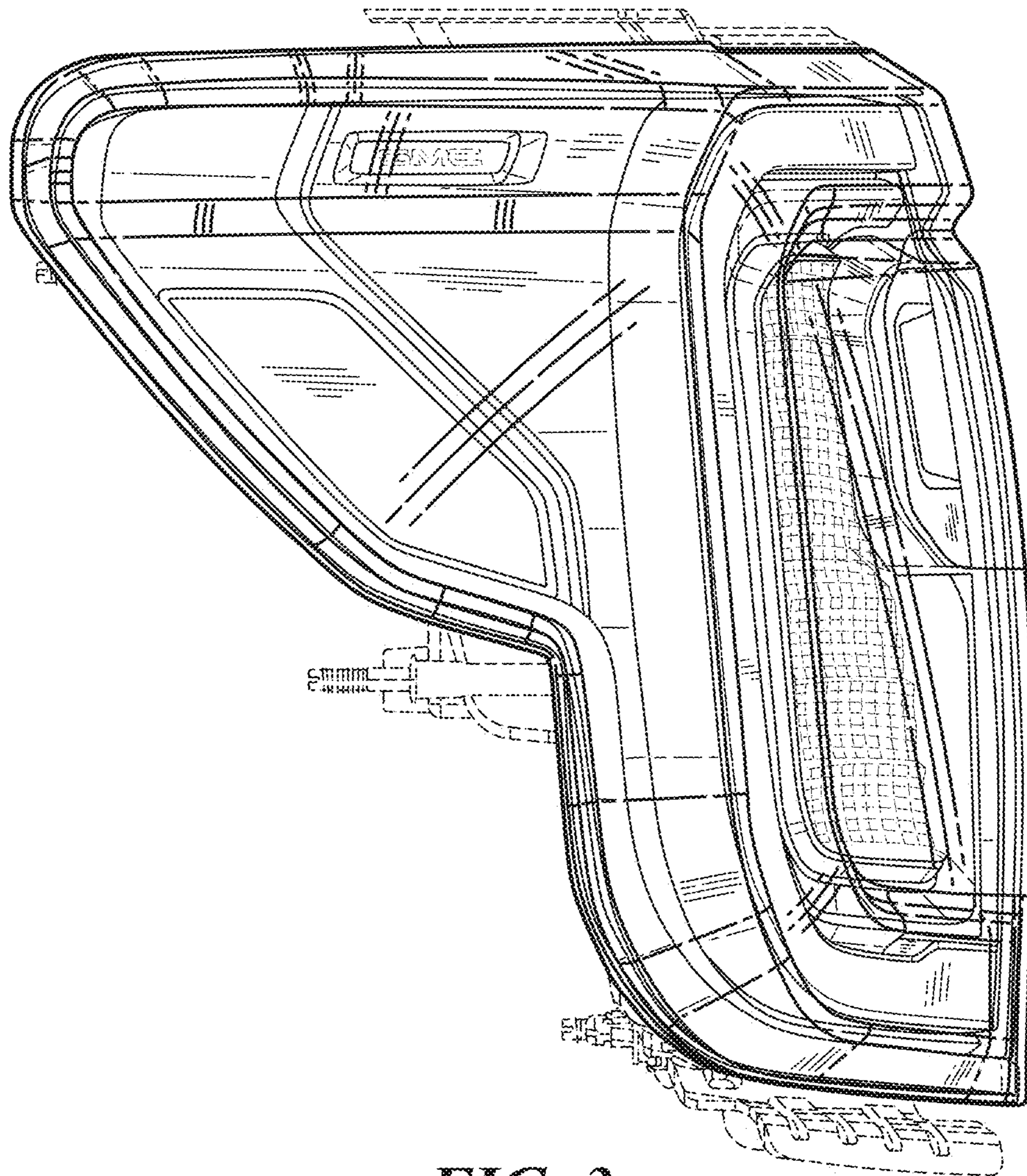
\* cited by examiner



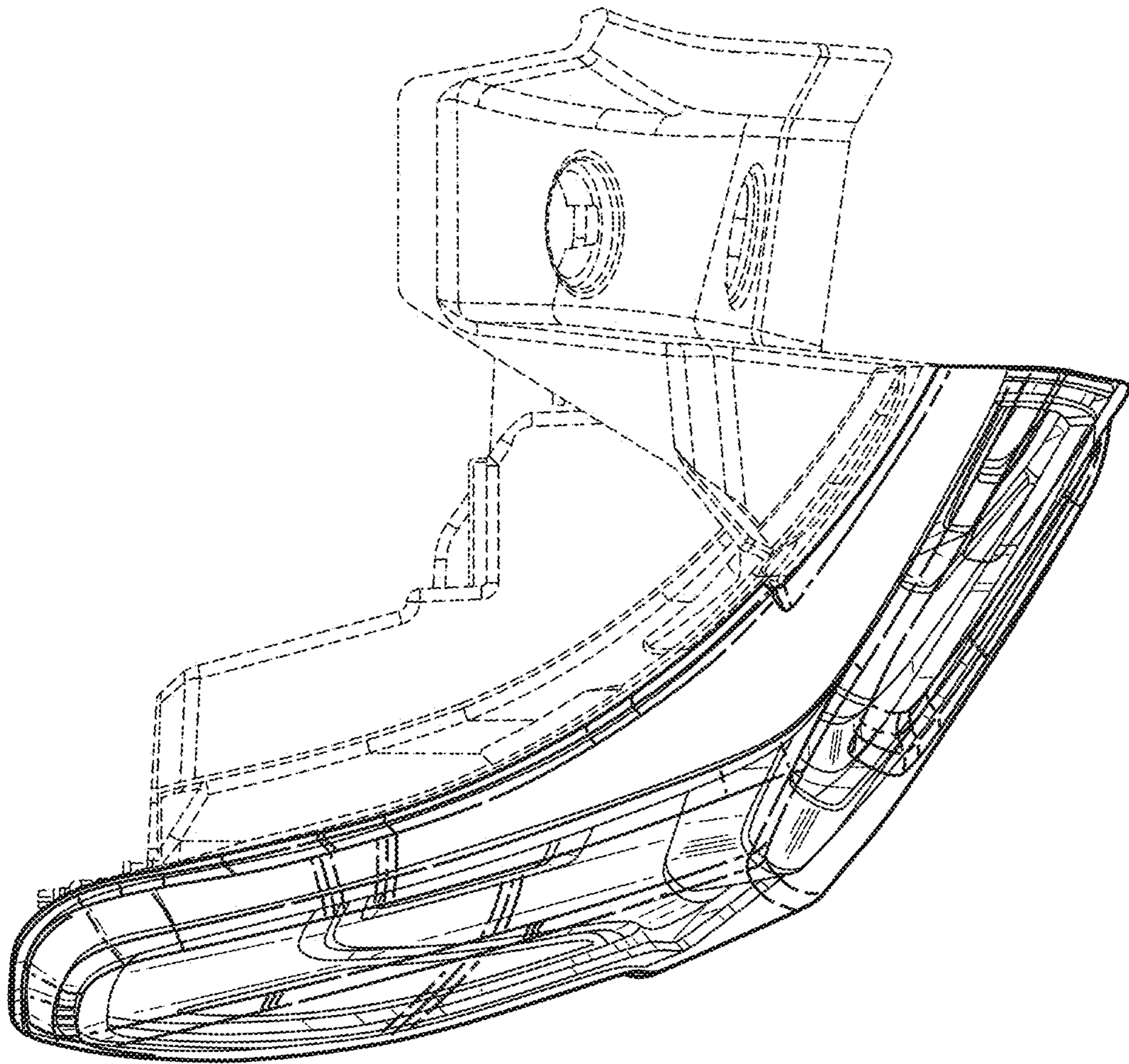
**FIG. 1**



**FIG. 2**



**FIG. 3**



**FIG. 4**