



US00D874025S

(12) **United States Design Patent**
Kittur

(10) **Patent No.:** **US D874,025 S**

(45) **Date of Patent:** **** Jan. 28, 2020**

- (54) **DAMPER EXTRUSION**
- (71) Applicant: **ABEY AUSTRALIA PTY LTD,**
Cobblebank (AU)
- (72) Inventor: **Venkatesh Kittur,** Cobblebank (AU)
- (73) Assignee: **ABEY AUSTRALIA PTY LTD,**
Cobblebank, Victoria (AU)
- (**) Term: **15 Years**
- (21) Appl. No.: **29/649,993**
- (22) Filed: **Jun. 4, 2018**
- (51) **LOC (12) Cl.** **25-01**
- (52) **U.S. Cl.**
USPC **D25/119; D6/702; D8/354**
- (58) **Field of Classification Search**
USPC **D25/60, 119-123, 164, 199; D6/702;**
D8/354, 376, 377, 400, 402, 403, 499
CPC **A47B 2210/0091; A47B 2210/0094; E04B**
1/82; E04B 1/84; E04B 2001/747; E04B
2009/186; E05B 77/38; E05B 77/42
See application file for complete search history.

D251,509 S *	4/1979	Wenrick	D25/122
D256,545 S *	8/1980	Legerius	D25/123
D271,304 S *	11/1983	Kensrue	D25/121
D301,623 S *	6/1989	Grosjean	D25/119
D343,350 S *	1/1994	Gold	D8/354
5,780,785 A *	7/1998	Eckel	E04B 1/84
				181/285
D425,999 S *	5/2000	Belk	D25/55
D427,325 S *	6/2000	Ginzel	D25/119
D585,267 S *	1/2009	Di Vinadio	D8/377
D666,033 S *	8/2012	Sauer	D8/377
D810,962 S *	2/2018	McGowan	D25/119
2012/0062088 A1 *	3/2012	Chen	A47B 88/463
				312/319.1

* cited by examiner

Primary Examiner — L. Martinez

(74) *Attorney, Agent, or Firm* — Martin & Ferraro, LLP

(57) **CLAIM**

The ornamental design for a damper extrusion, as shown and described.

DESCRIPTION

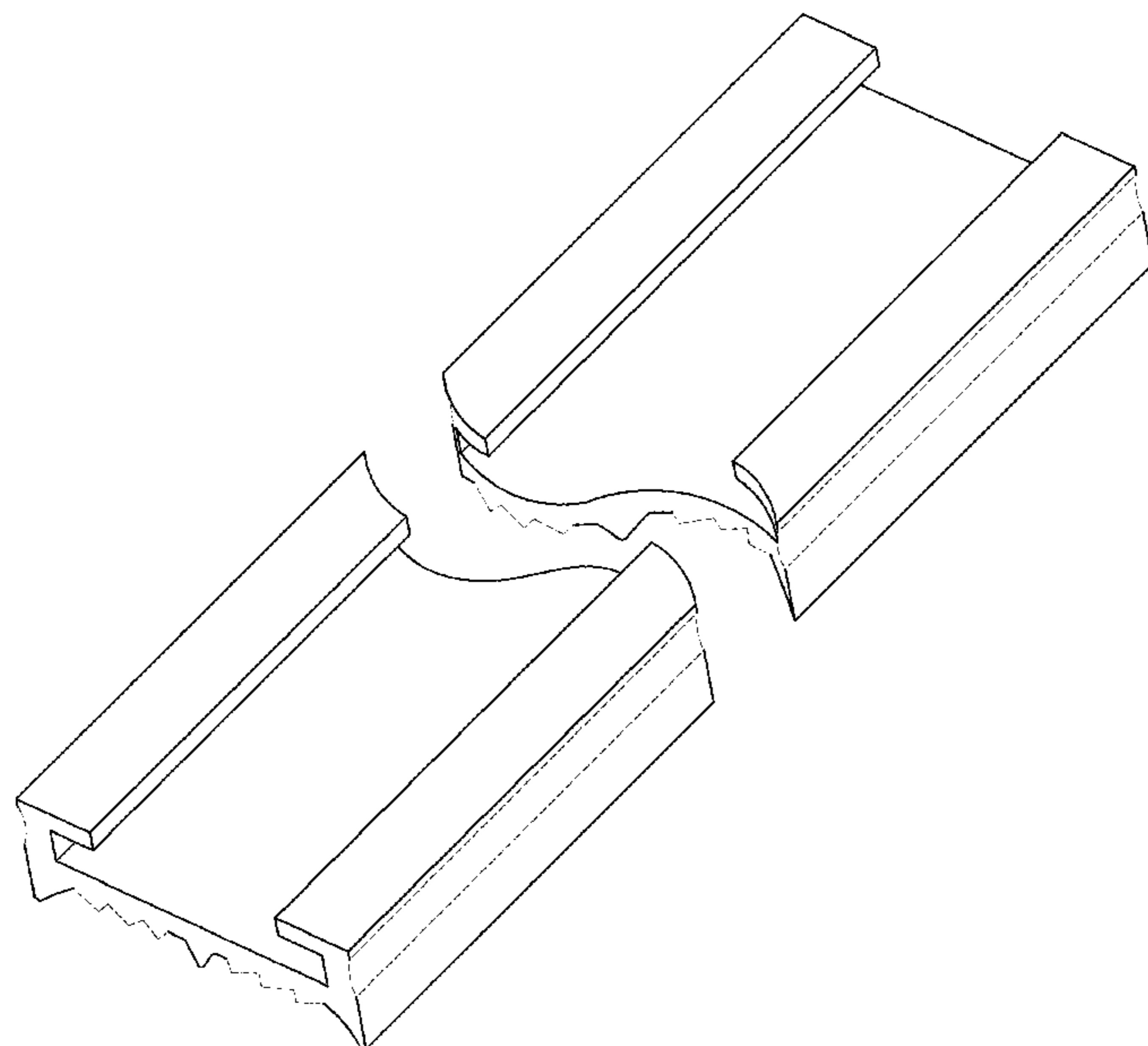
FIG. 1 is a top perspective view of a damper extrusion showing my design;
 FIG. 2 is a bottom perspective view thereof;
 FIG. 3 is a front view thereof;
 FIG. 4 is a rear view thereof;
 FIG. 5 is a right side view thereof;
 FIG. 6 is a left side view thereof;
 FIG. 7 is a bottom view thereof; and,
 FIG. 8 is an enlarged bottom perspective view thereof.
 The broken lines in the drawings illustrate portions of the damper extrusion that form no part of the claimed design. The damper extrusion is shown with a symbolic break in its length. The appearance of any portions of the damper extrusion between the break lines forms no part of the claimed design.

1 Claim, 6 Drawing Sheets

(56) **References Cited**

U.S. PATENT DOCUMENTS

D51,508 S *	11/1917	Plym	D25/60
D56,704 S *	11/1920	Mueller	D25/164
D85,226 S *	9/1931	Awbrey	D25/60
D86,952 S *	5/1932	Garrison	D25/60
D165,150 S *	11/1951	Gebhard	D25/125
D196,494 S *	10/1963	Massen	D25/125
3,950,912 A *	4/1976	Lundberg	E04B 1/82
				D25/123
D242,799 S *	12/1976	Schmidt	D25/121
4,078,515 A *	3/1978	Svirklys	E02B 3/064
				D25/125
D248,823 S *	8/1978	Eckerline	D25/121



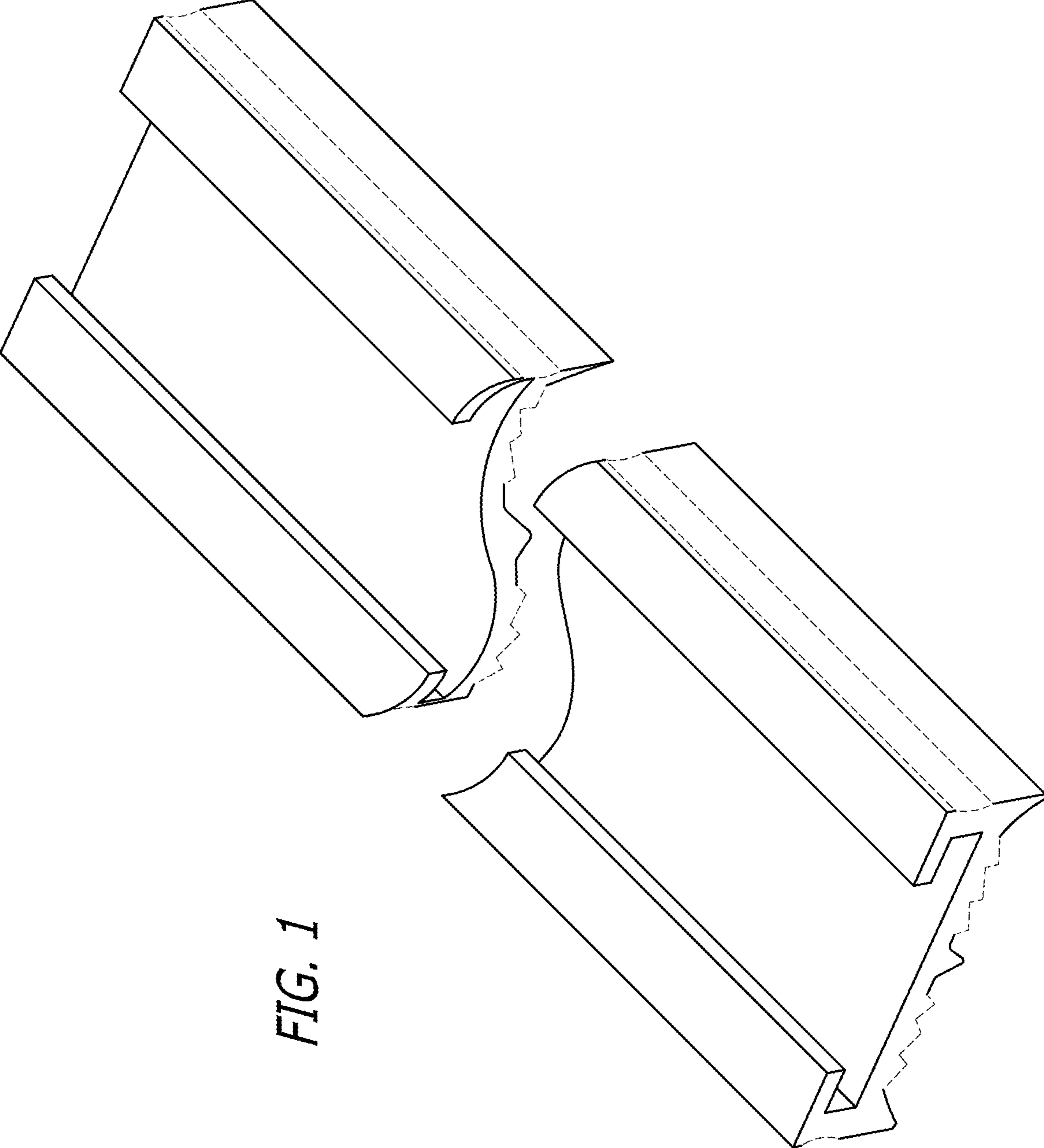


FIG. 1

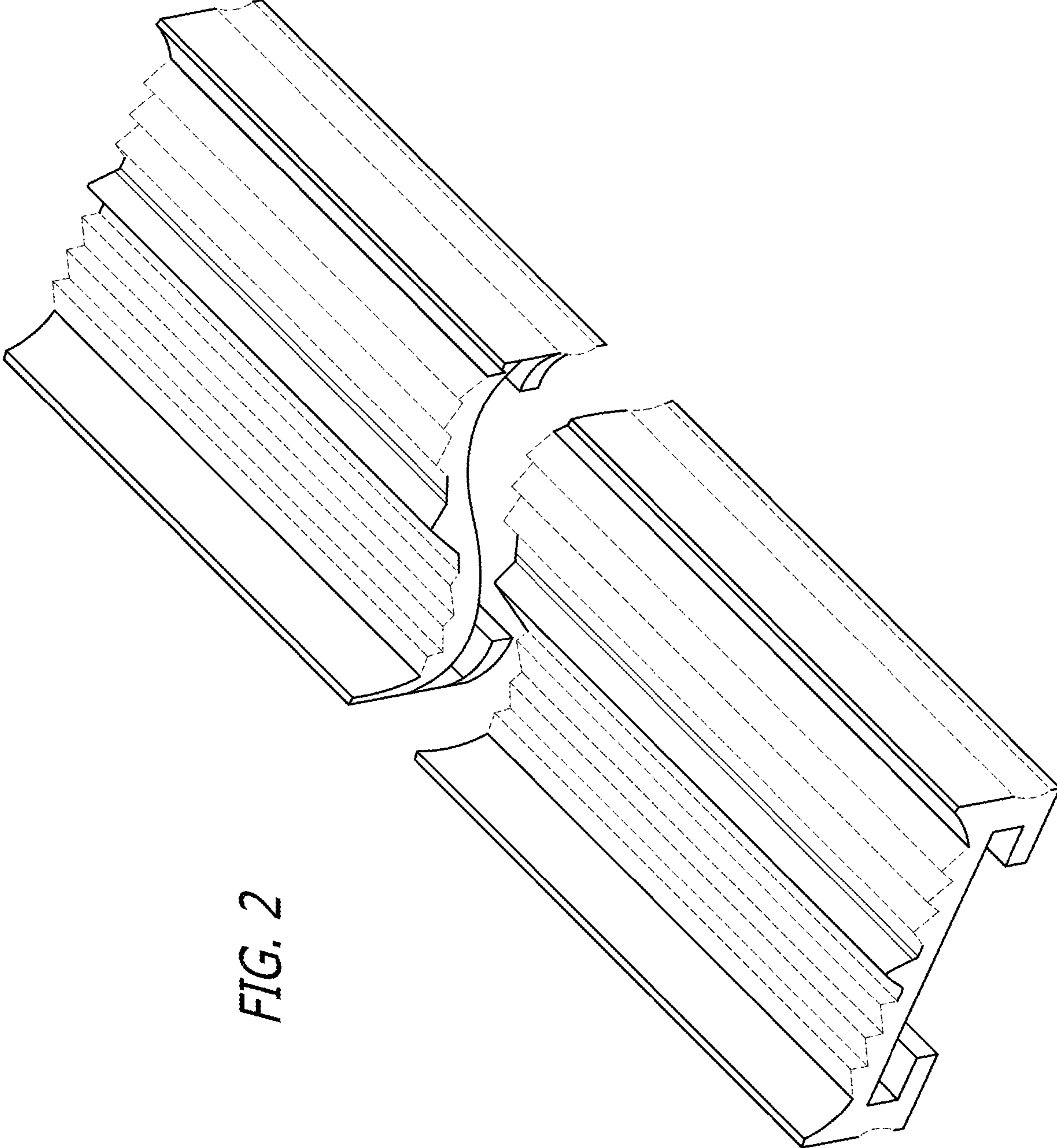


FIG. 2

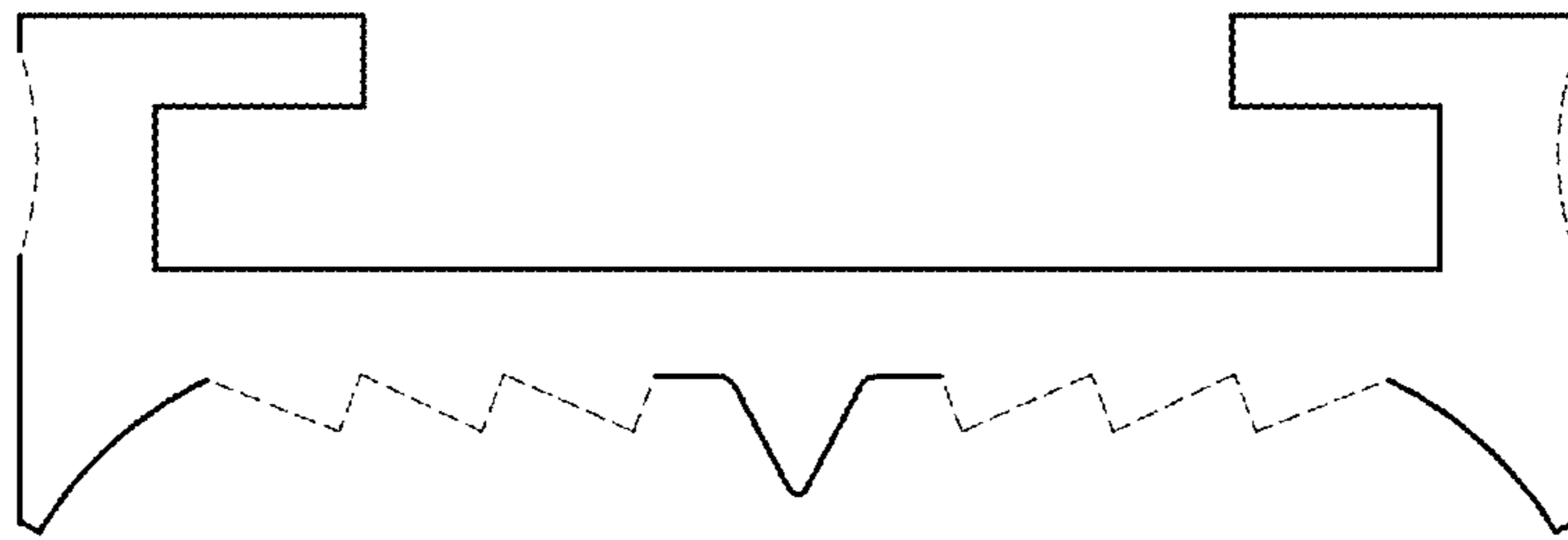


FIG. 3

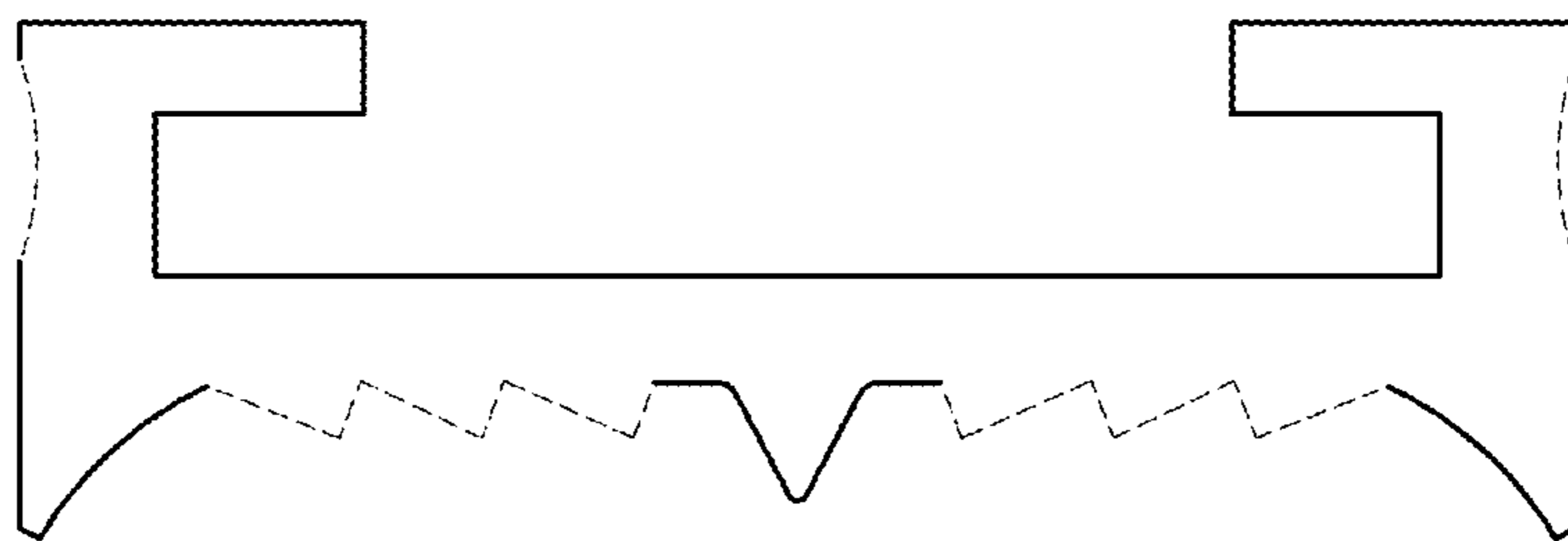


FIG. 4

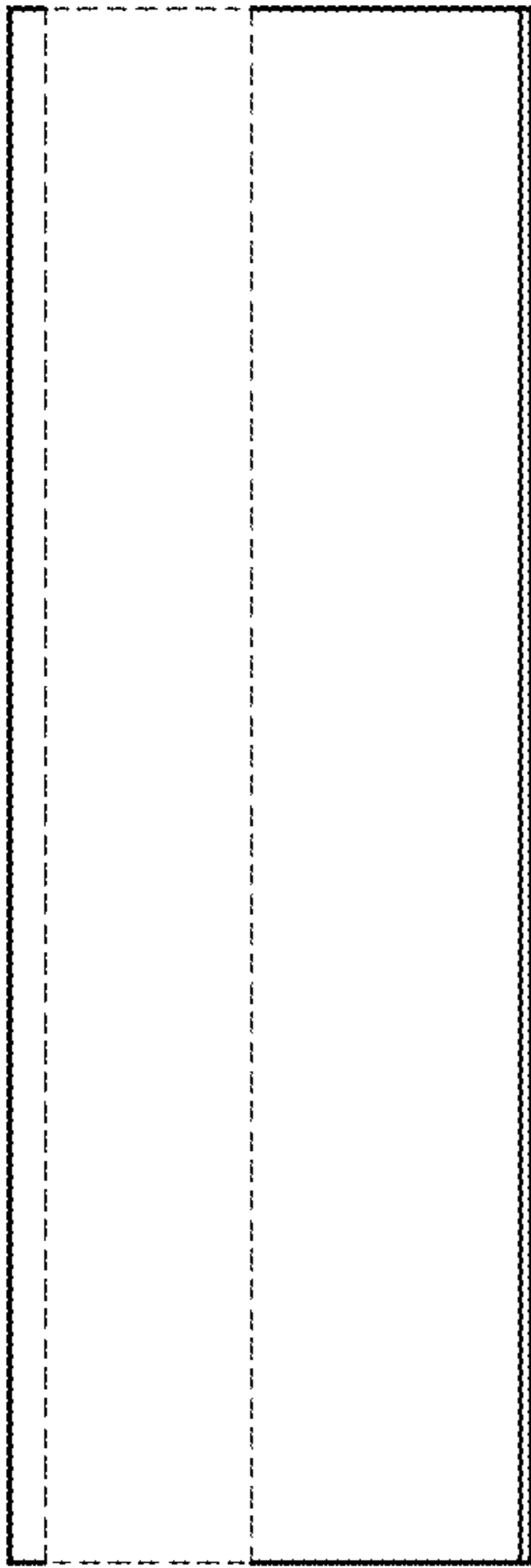


FIG. 5

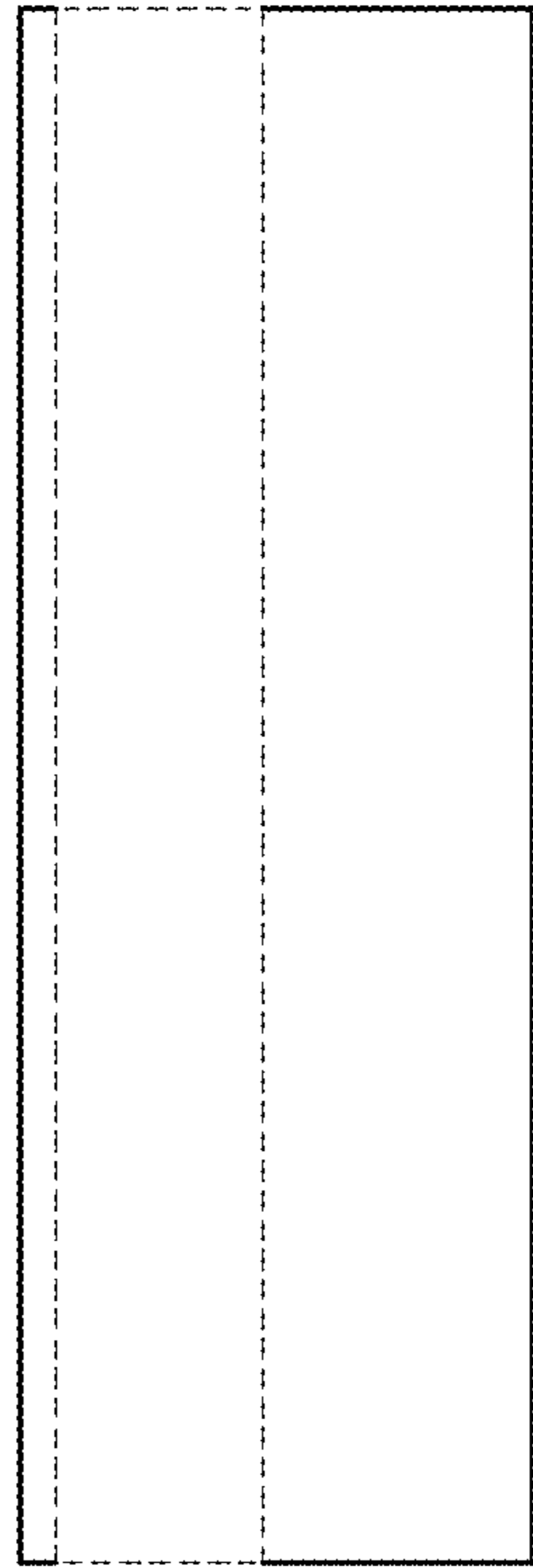
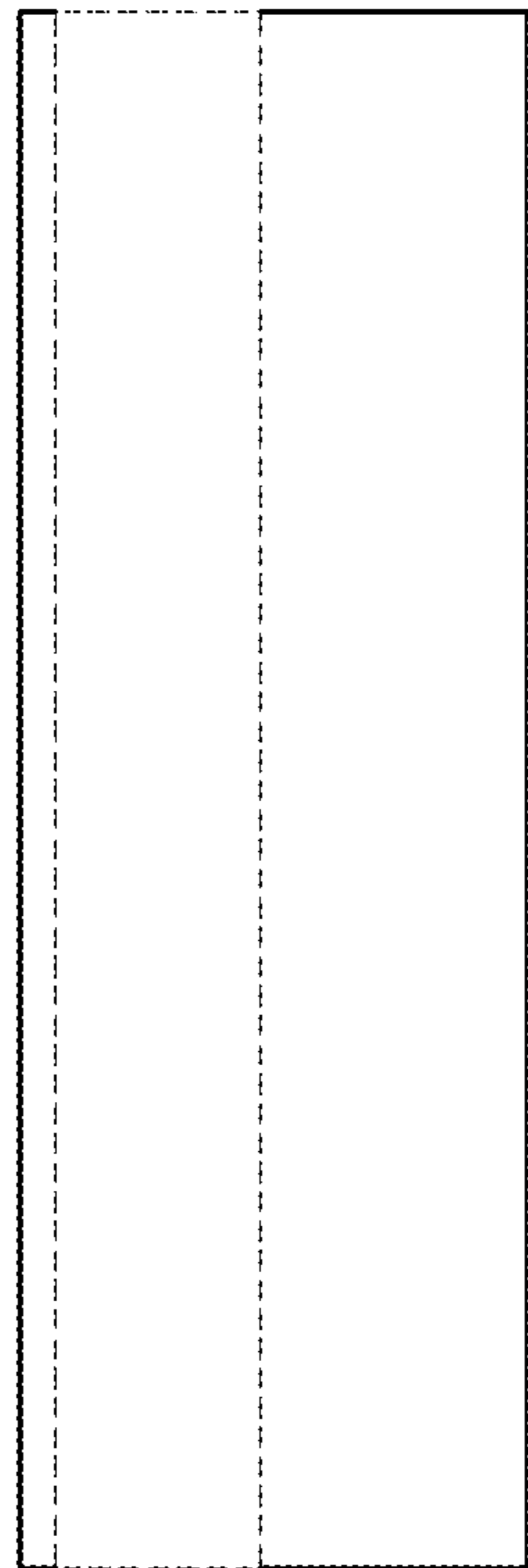
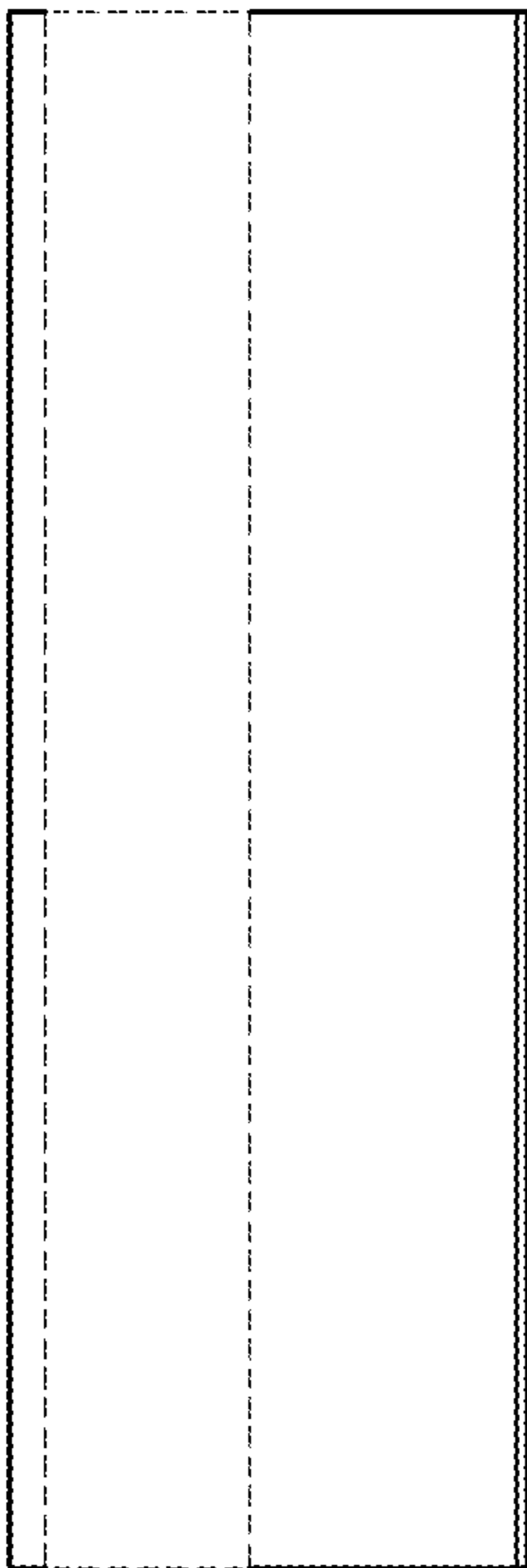


FIG. 6



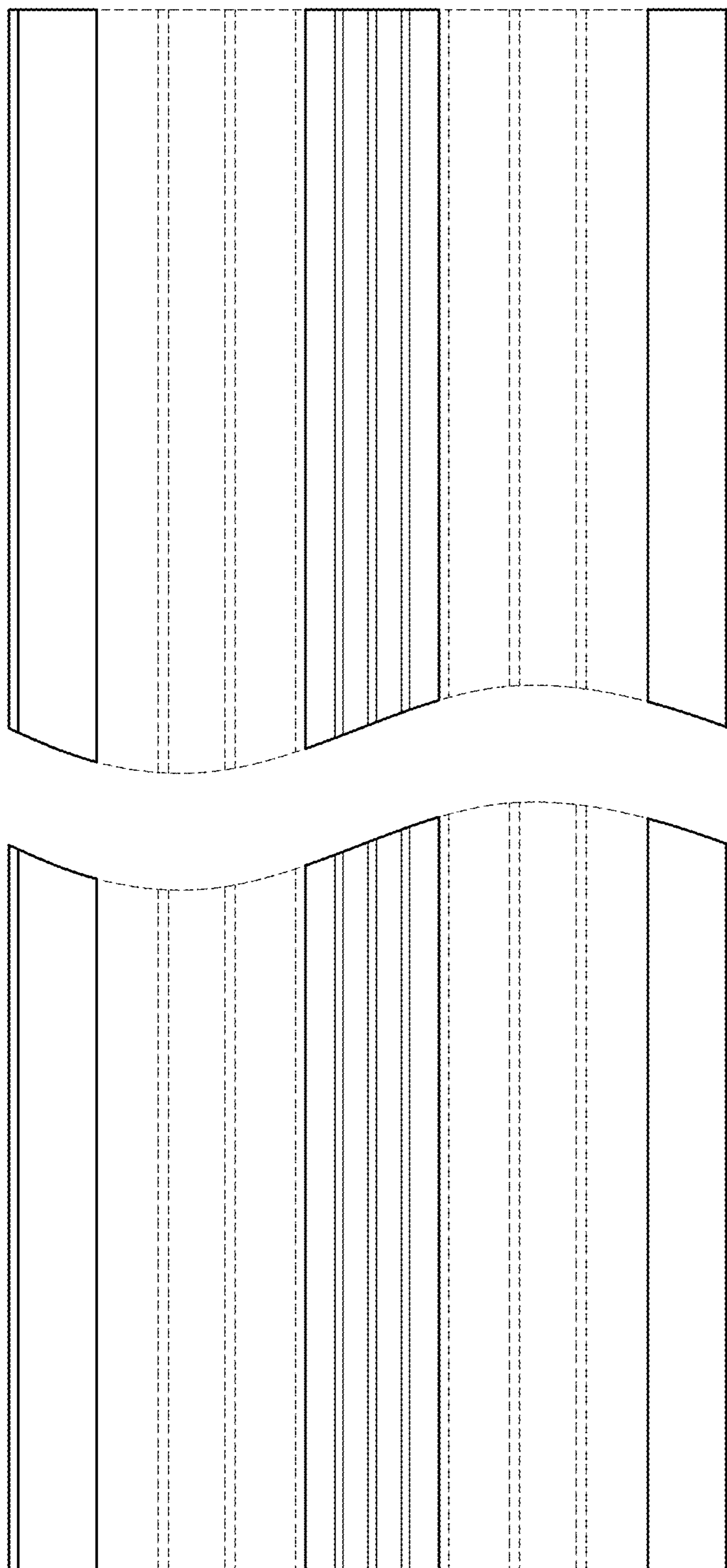


FIG. 7

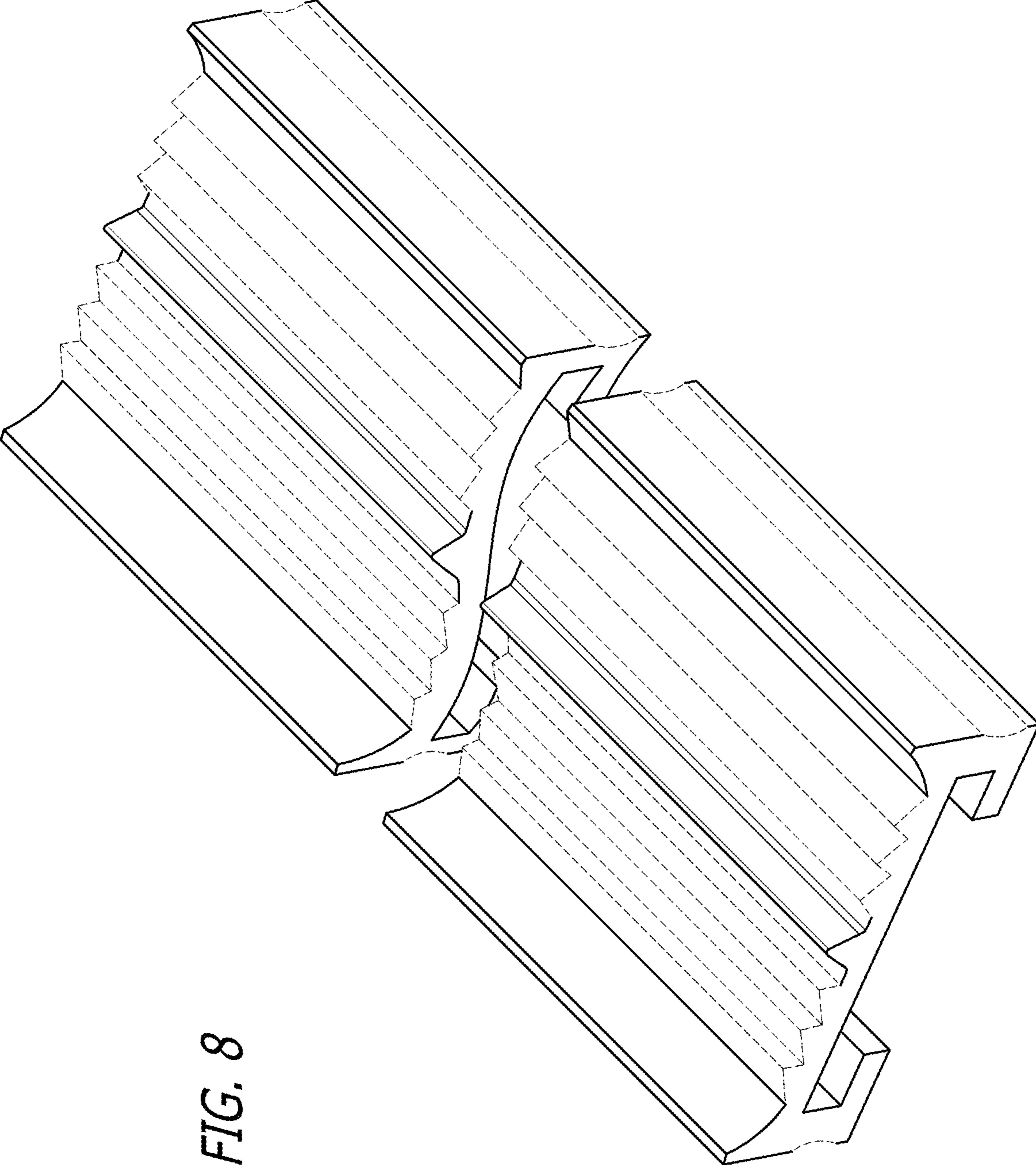


FIG. 8