

US00D874022S

(12) **United States Design Patent**
Contrata, Jr. et al.

(10) **Patent No.:** **US D874,022 S**
(45) **Date of Patent:** **** Jan. 28, 2020**

(54) **CART CORRAL**

DESCRIPTION

- (71) Applicant: **RENEWABLE EDGE LLC**,
Tarrytown, NY (US)
- (72) Inventors: **Richard C. Contrata, Jr.**, Harrison,
NY (US); **David J. Schaffer**, Suffern,
NY (US)
- (73) Assignee: **Renewable Edge, LLC**, Tarrytown, NY
(US)
- (**) Term: **15 Years**
- (21) Appl. No.: **29/649,006**
- (22) Filed: **May 25, 2018**
- (51) **LOC (12) Cl.** **25-03**
- (52) **U.S. Cl.**
USPC **D25/18**
- (58) **Field of Classification Search**
USPC D25/1, 3-35, 56, 61
(Continued)

FIG. 1 is a front right perspective view of the cart corral design according to a first embodiment.
 FIG. 2 is a front view of the cart corral design according to the first embodiment.
 FIG. 3 is a rear view of the cart corral design according to the first embodiment.
 FIG. 4 is a right side view of the cart corral design according to the first embodiment.
 FIG. 5 is a left side view of the cart corral design according to the first embodiment.
 FIG. 6 is a top view of the cart corral design according to the first embodiment.
 FIG. 7 is a bottom view of the cart corral design according to the first embodiment.
 FIG. 8 is a rear right perspective view of the cart corral design according to the first embodiment.
 FIG. 9 is a front right perspective view of the cart corral design according to a second embodiment.
 FIG. 10 is a front view of the cart corral design according to the second embodiment.
 FIG. 11 is a rear view of the cart corral design according to the second embodiment.
 FIG. 12 is a right side view of the cart corral design according to the second embodiment.
 FIG. 13 is a left side view of the cart corral design according to the second embodiment.
 FIG. 14 is a top view of the cart corral design according to the second embodiment.
 FIG. 15 is a bottom view of the cart corral design according to the second embodiment; and,
 FIG. 16 is a rear right perspective view of the cart corral design according to the second embodiment.
 The broken lines shown in FIGS. 1-16 represent portions of the cart corral design that form no part of the claim. The design is shown with symbolic break lines. The appearance of any portion of the article between the break lines forms no part of the claimed design.

(56) **References Cited**

U.S. PATENT DOCUMENTS

- 3,255,769 A 6/1966 Lloyd
- D338,073 S * 8/1993 Wall D25/1
(Continued)

OTHER PUBLICATIONS

Contrata, Jr. et al., "Cart Corral", Design U.S. Appl. No. 29/548,084, filed Dec. 10, 2015.

(Continued)

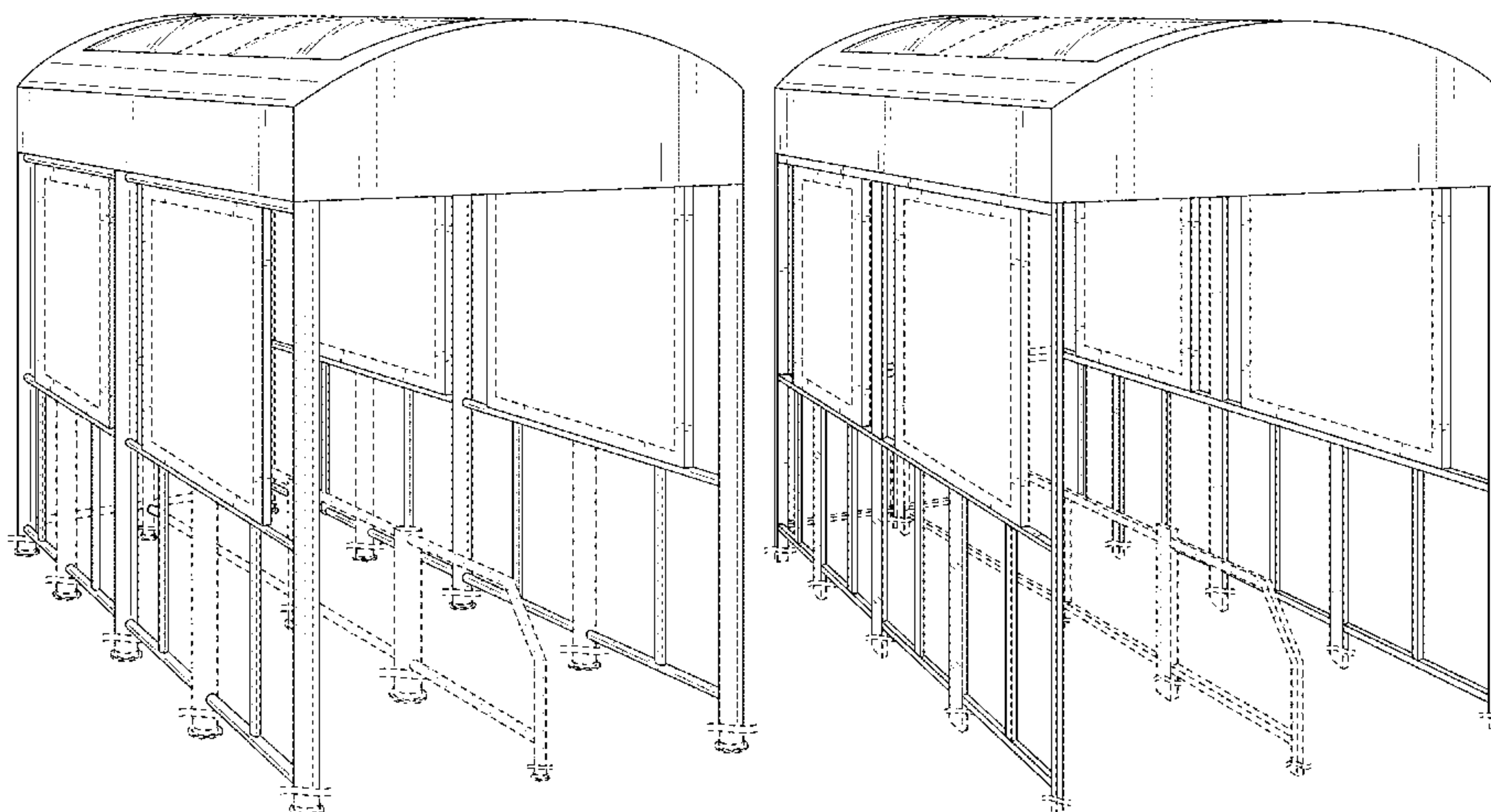
Primary Examiner — Brett Miller

(74) *Attorney, Agent, or Firm* — The Marbury Law Group, PLLC

(57) **CLAIM**

The ornamental design for a cart corral, as shown and described.

1 Claim, 16 Drawing Sheets



(58) **Field of Classification Search**
 CPC E04H 1/00-1277; E04H 2001/1283; E04H
 5/00-08; E04H 9/00; E04H 9/04-16;
 E04H 6/02-06; E04B 1/24
 See application file for complete search history.

D699,789 S	2/2014	Allen	
D701,322 S	3/2014	McCue et al.	
D725,287 S	3/2015	Allen	
D728,821 S *	5/2015	Wehner	D25/15
D788,319 S	5/2017	Lemoine et al.	
D788,320 S *	5/2017	Contrata, Jr.	D25/18
2015/0194031 A1	7/2015	Cutler et al.	
2016/0270563 A1	9/2016	Contrata, Jr. et al.	
2017/0314291 A1	11/2017	Lemoine et al.	

(56) **References Cited**

U.S. PATENT DOCUMENTS

D374,088 S *	9/1996	Collier	D25/56
D376,854 S *	12/1996	DiPaolo	D25/15
D404,835 S	1/1999	Stute	
D436,669 S	1/2001	Kieffer	
D449,115 S	10/2001	Harris et al.	
D458,688 S	6/2002	Phifer	
D461,562 S *	8/2002	Hansen	D25/18
D475,468 S	6/2003	Stein	
D500,556 S	1/2005	Cahill	
D502,269 S *	2/2005	Kinslow	D25/31
D530,022 S	10/2006	Haymann et al.	
D540,472 S *	4/2007	Van Es	D25/22
D565,198 S	3/2008	Tung	
D579,121 S	10/2008	Gibson	
D659,852 S	5/2012	Everson	
D681,762 S	5/2013	Kayser	

OTHER PUBLICATIONS

Contrata, Jr. et al., "Cart Corral", Design U.S. Appl. No. 29/598,993, filed Mar. 30, 2017.
 Contrata, Jr. et al., "Cart Corral", Design U.S. Appl. No. 29/649,097, filed May 25, 2017.
 Contrata, Jr. et al., "Cart Corral", Design U.S. Appl. No. 29/602,742, filed May 3, 2017.
 Contrata, Jr. et al., "Cart Corral", Design U.S. Appl. No. 29/649,003, filed May 25, 2018.
 Contrata, Jr. et al., "Cart Corral", Design U.S. Appl. No. 29/649,093, filed May 25, 2018.
 Contrata, Jr. et al., "Cart Corral", Design U.S. Appl. No. 29/654,262, filed May 25, 2018.

* cited by examiner

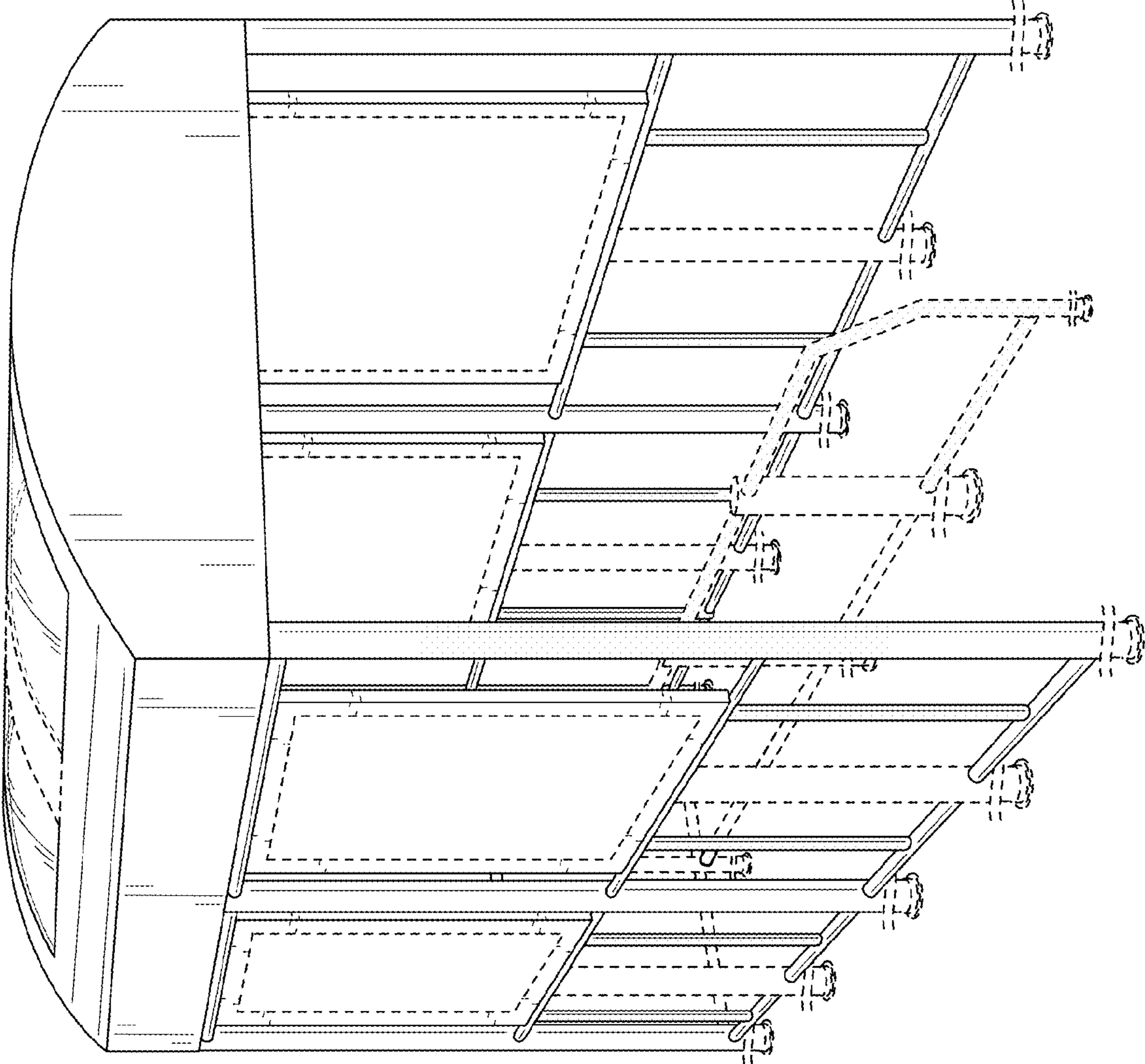


FIG. 1

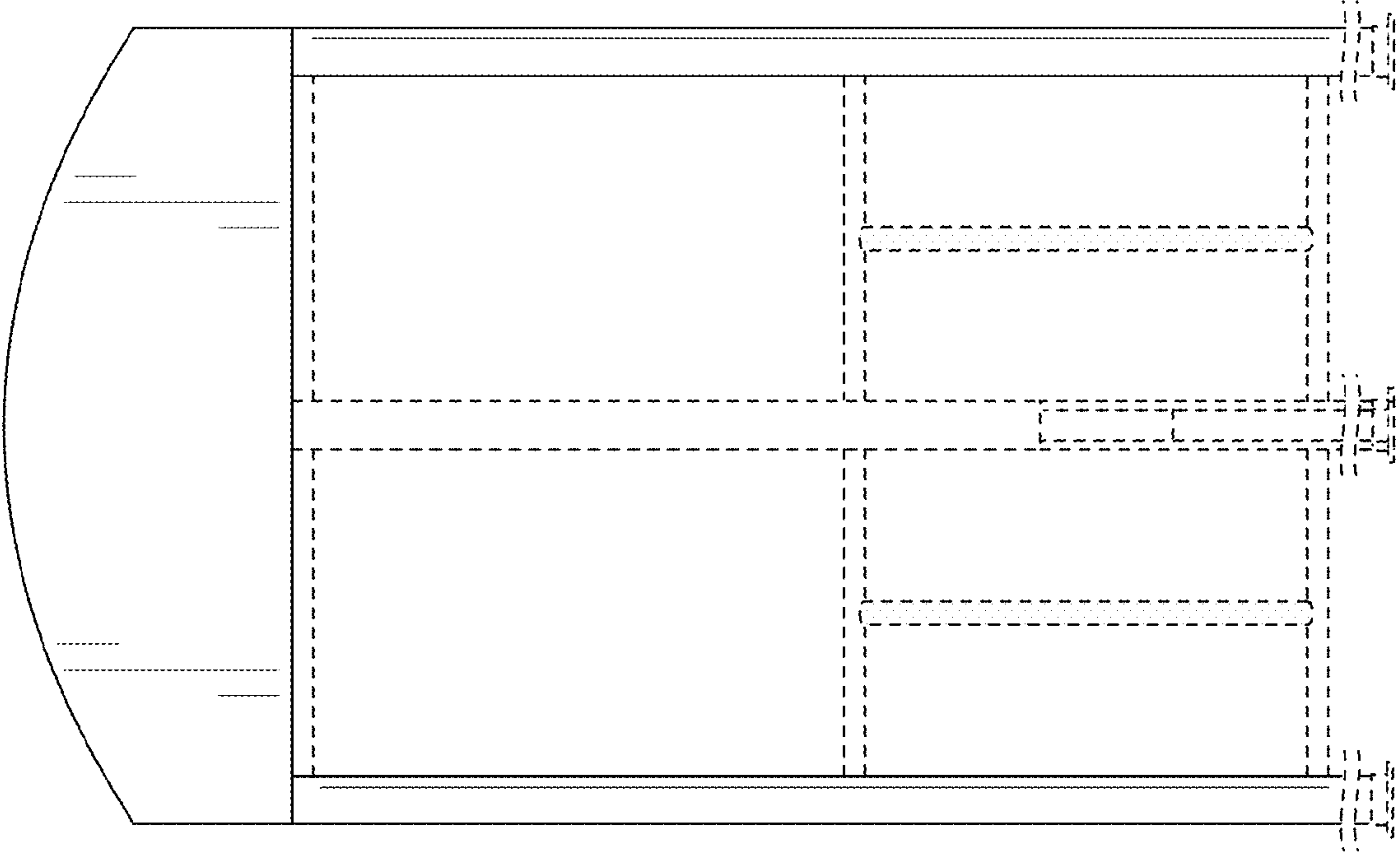


FIG. 2

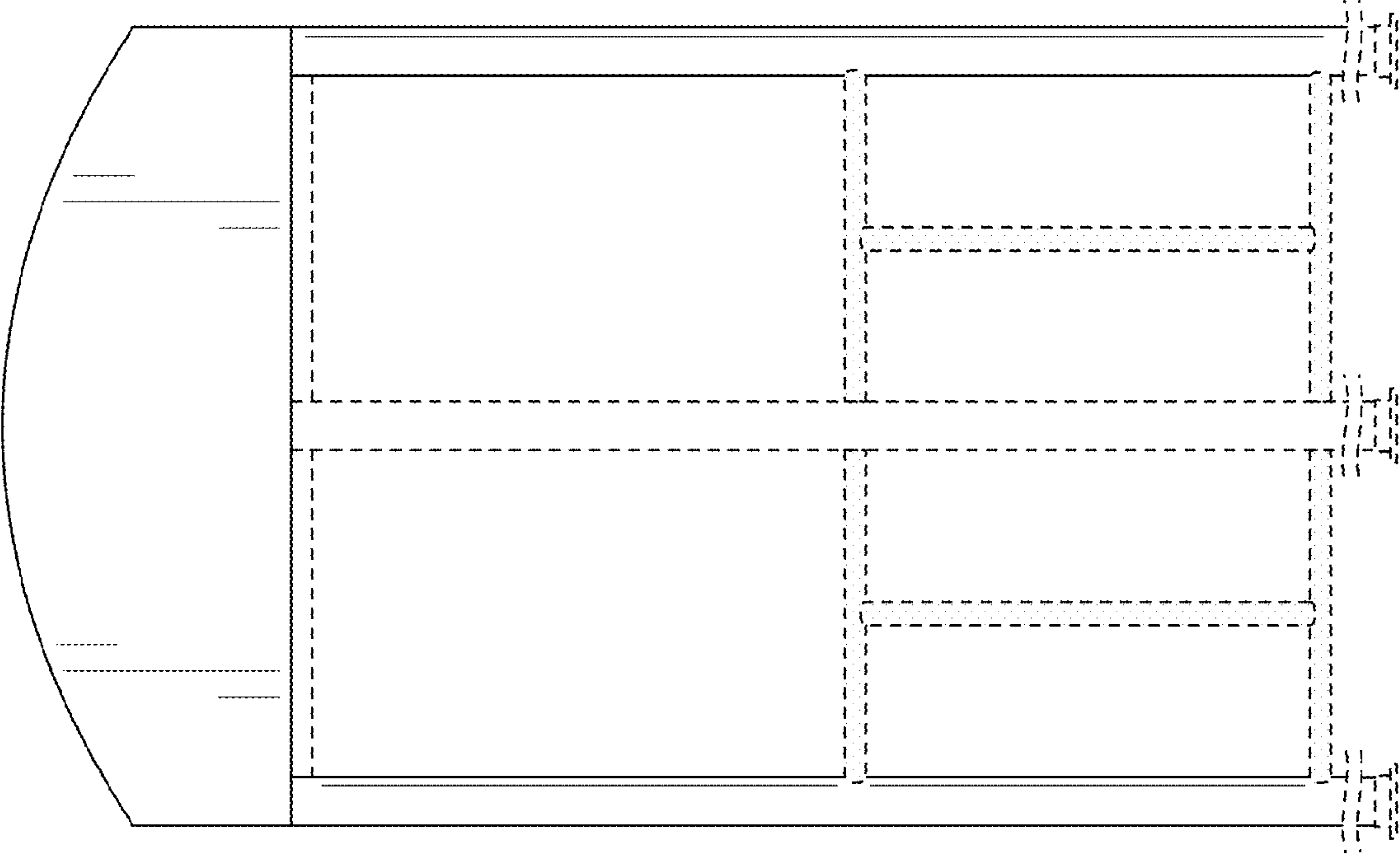


FIG. 3

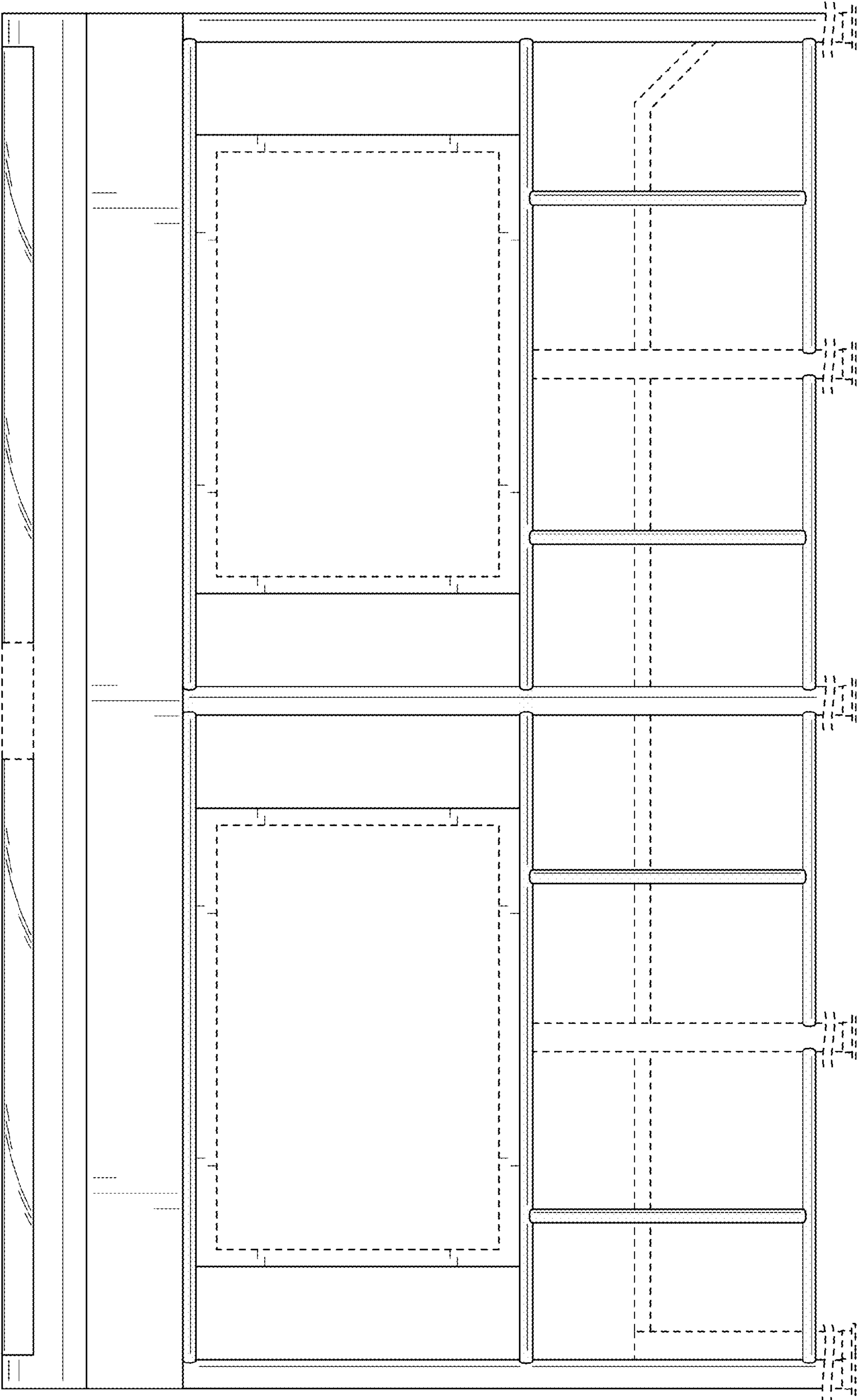


FIG. 4

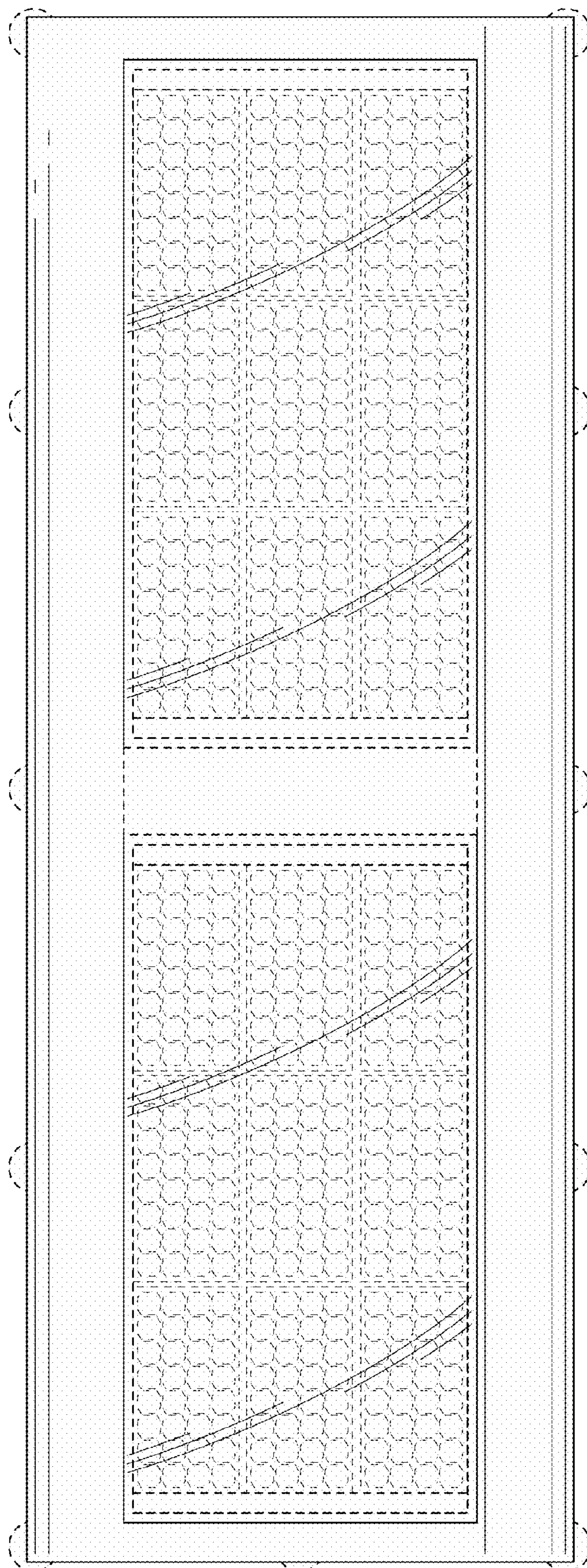


FIG. 6

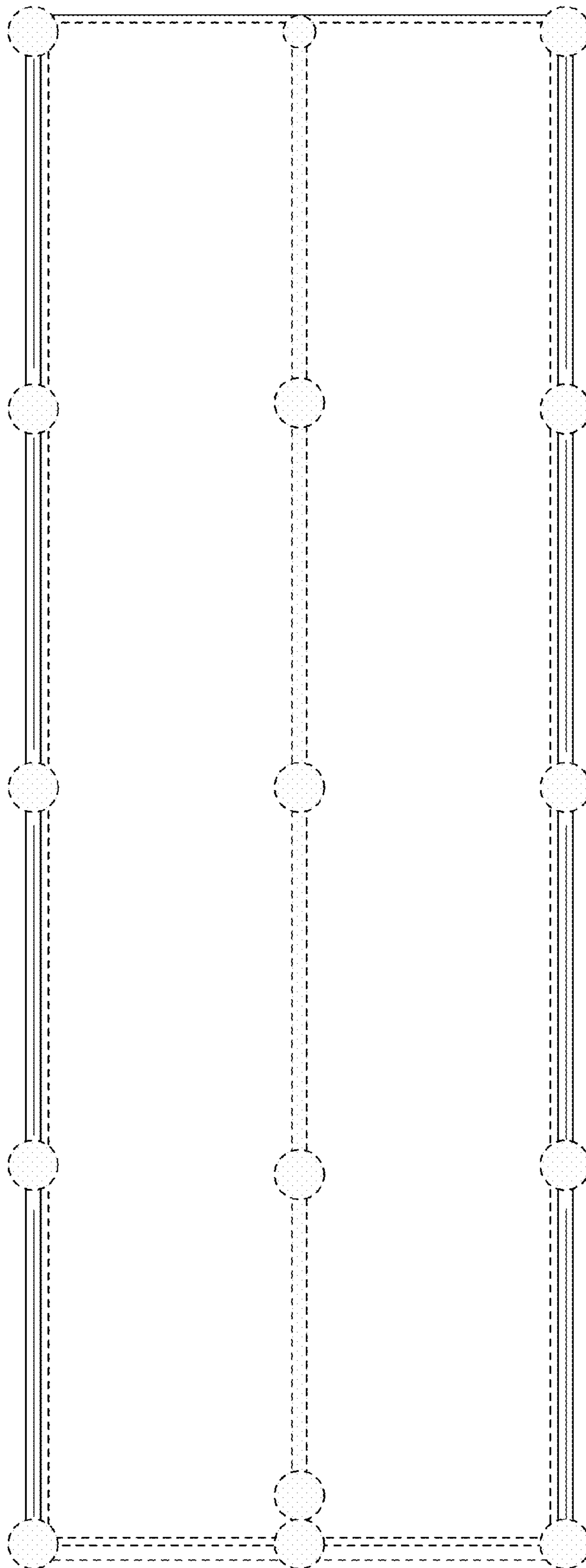


FIG. 7

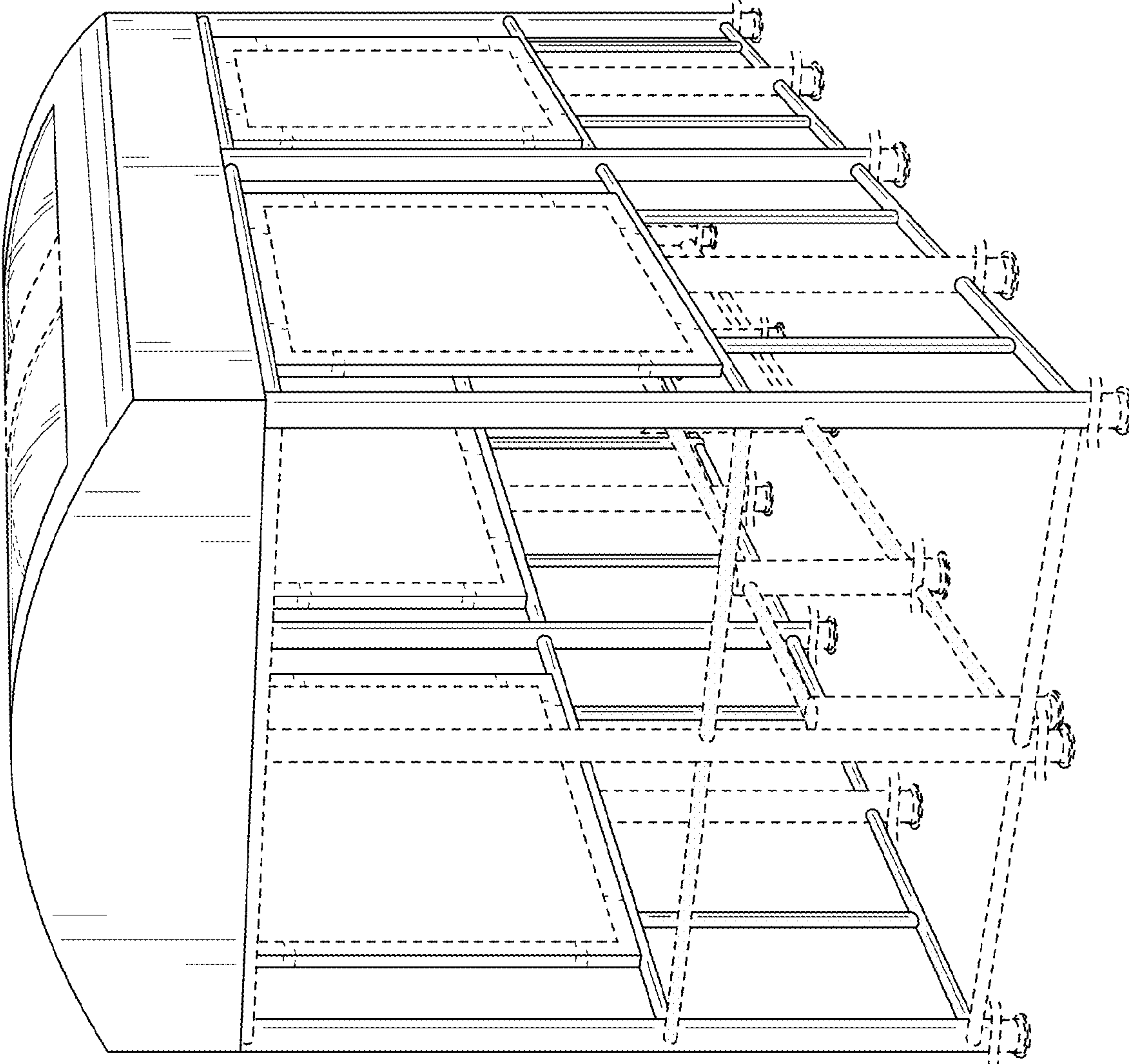


FIG. 8

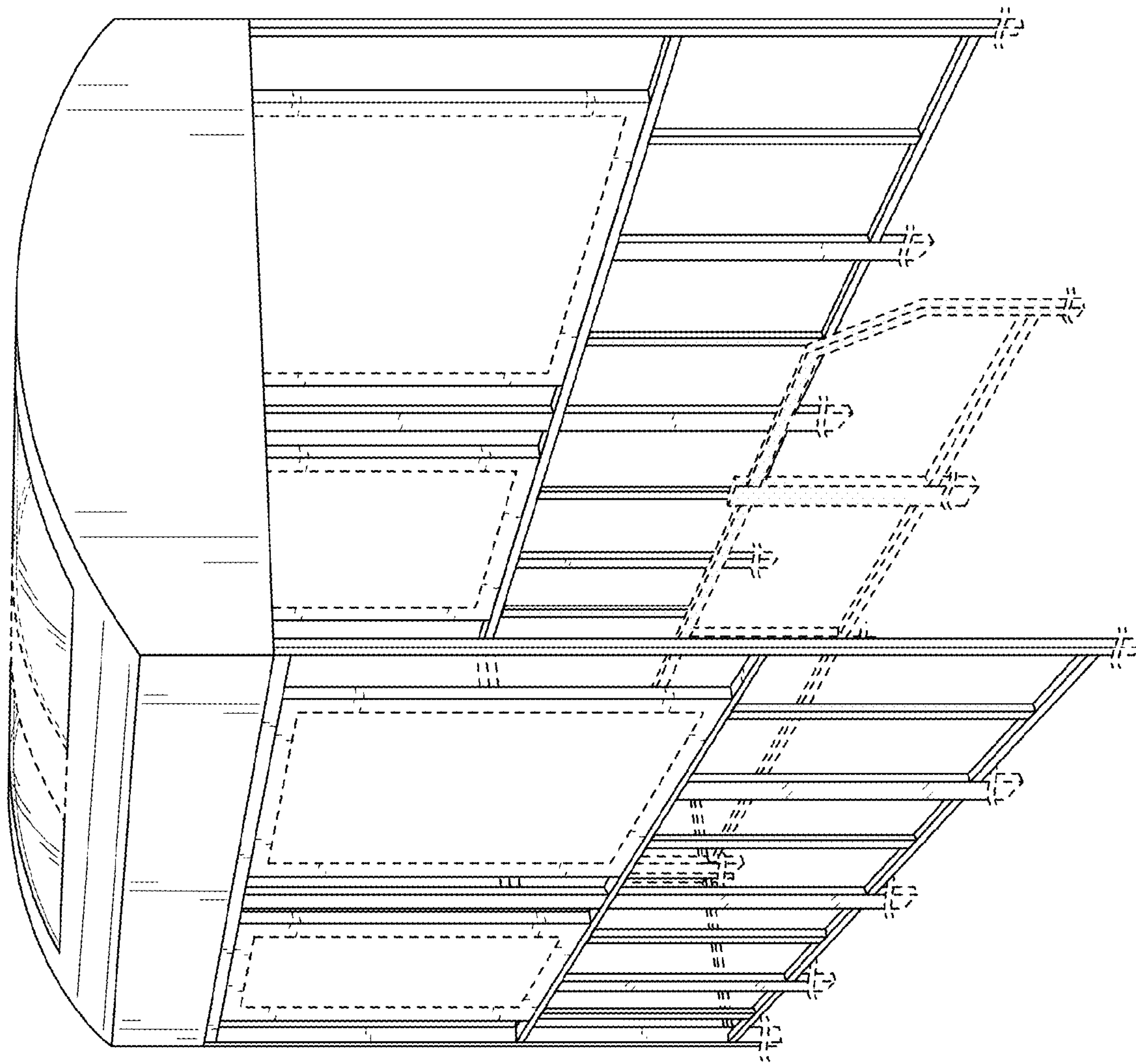


FIG. 9

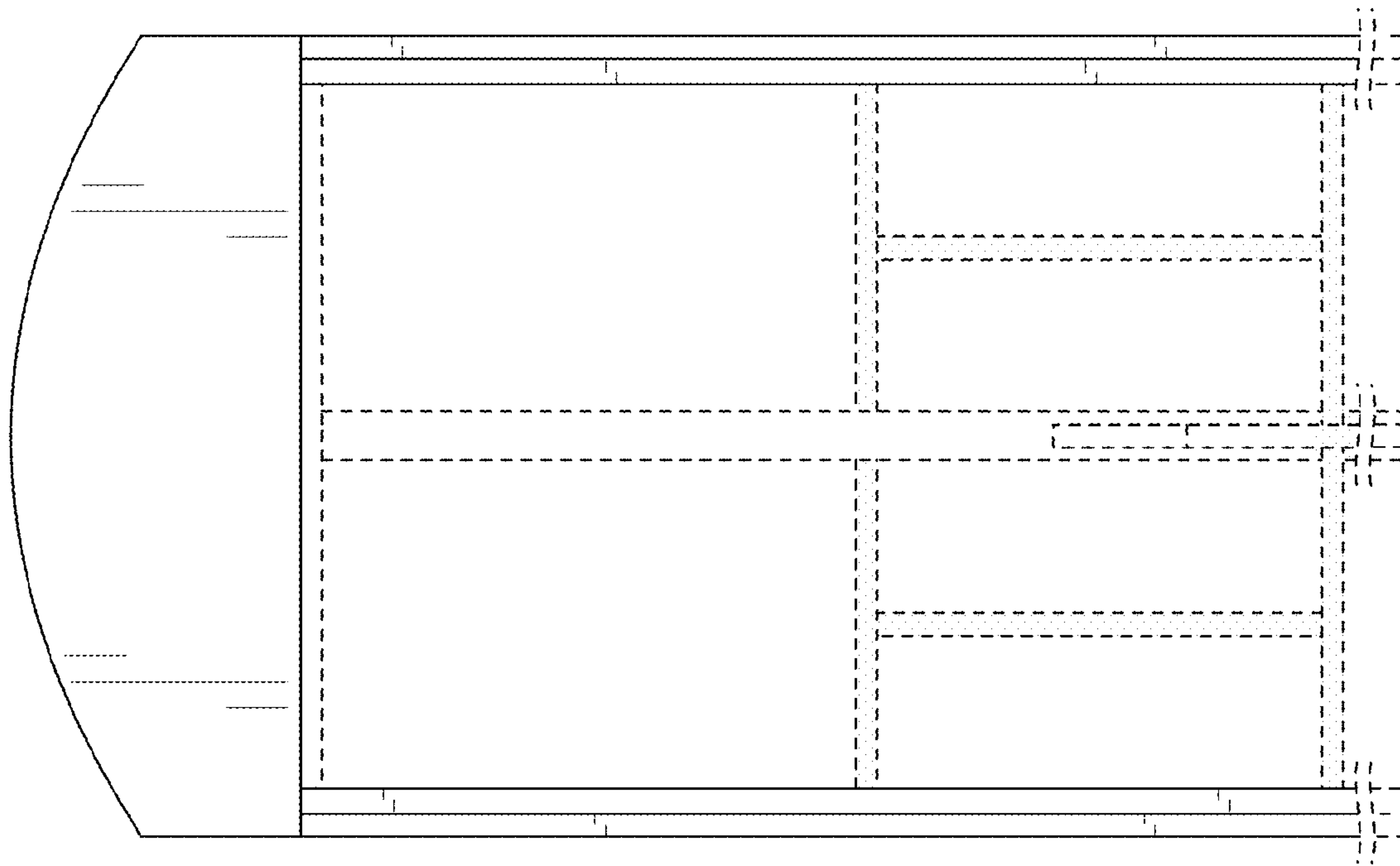


FIG. 10

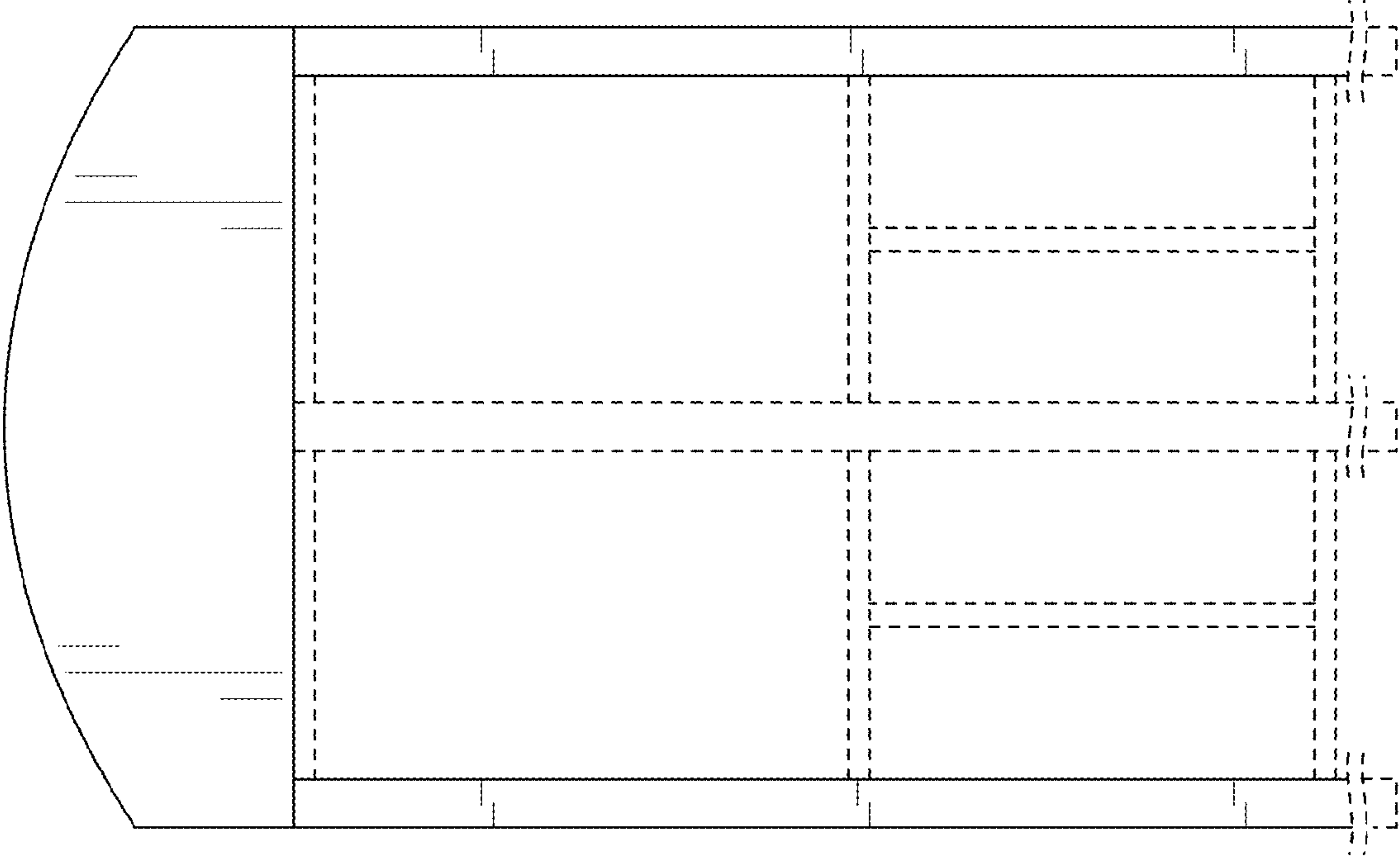


FIG. 11

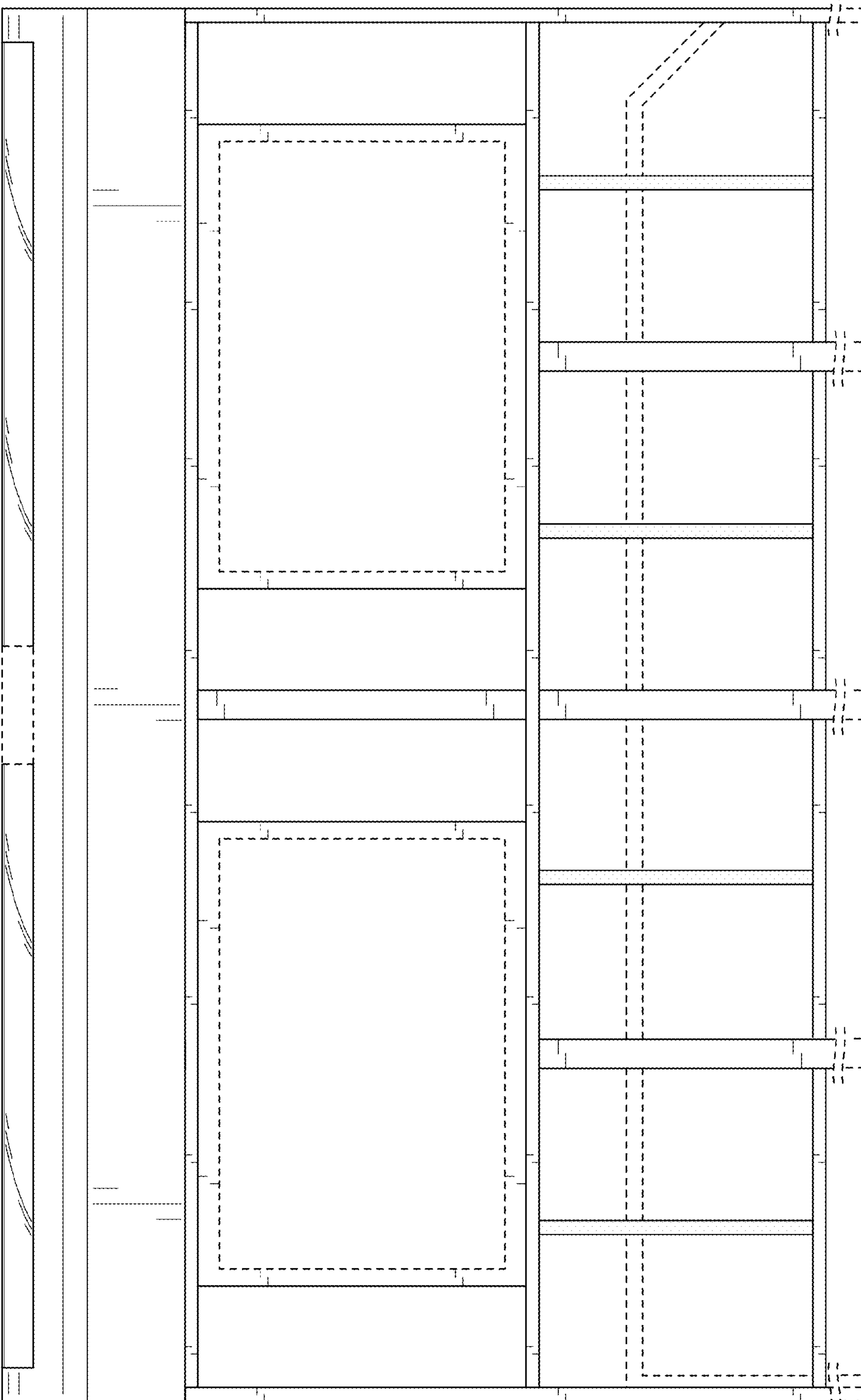


FIG. 12

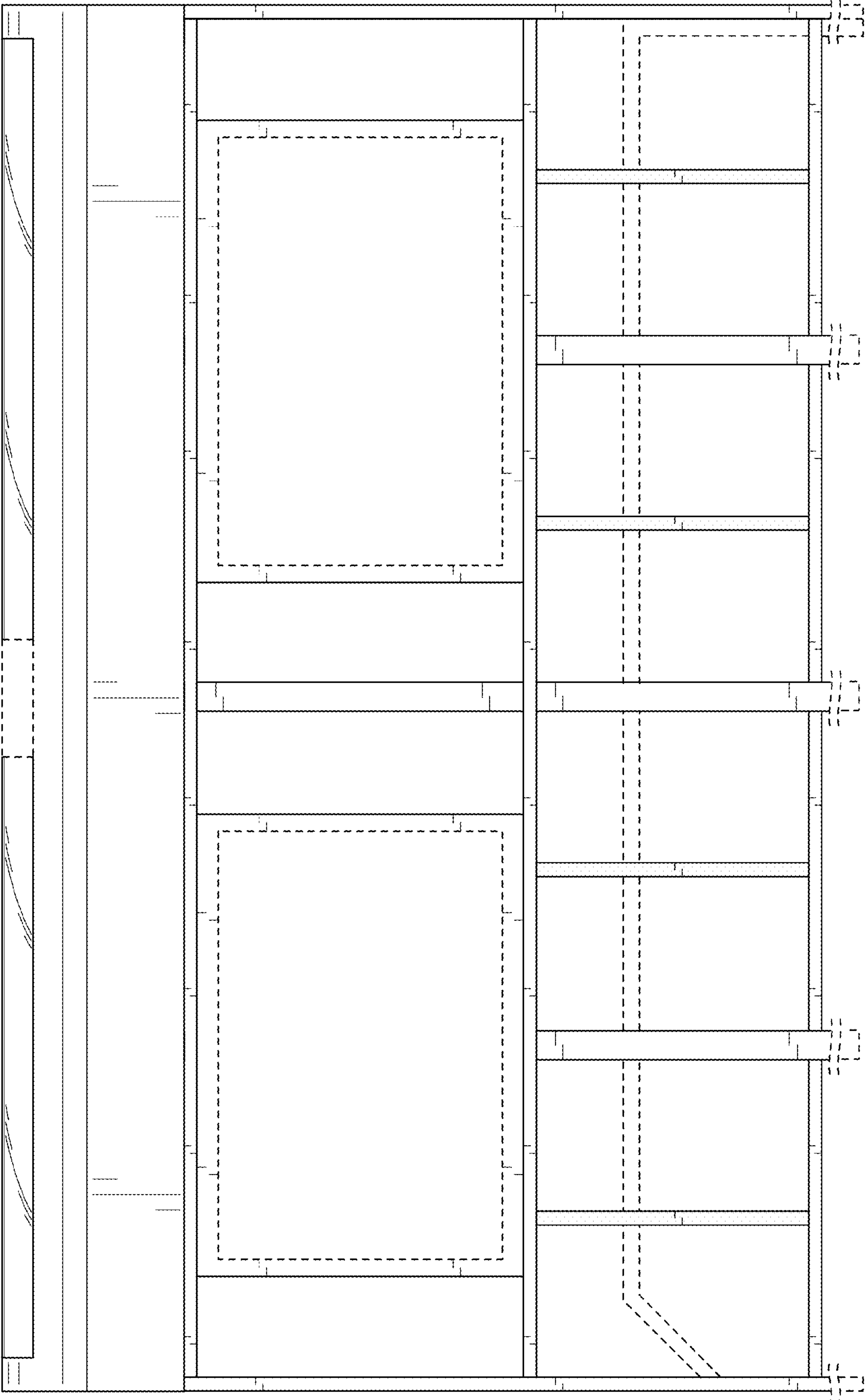


FIG. 13

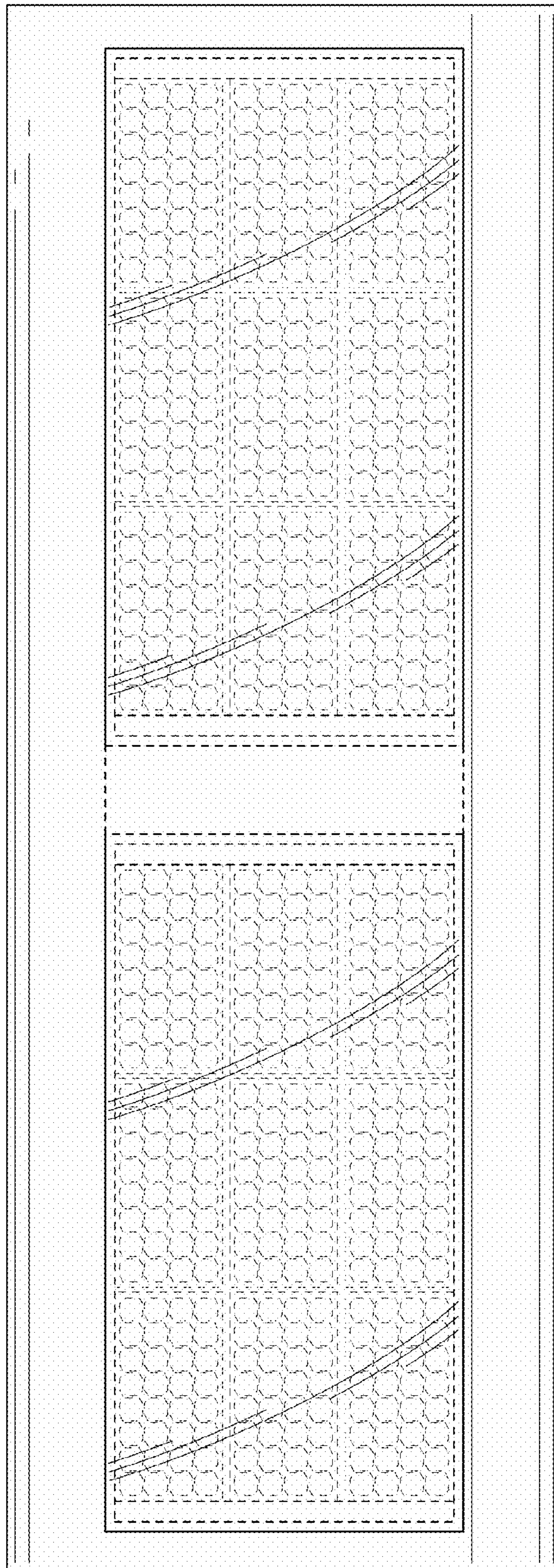


FIG. 14

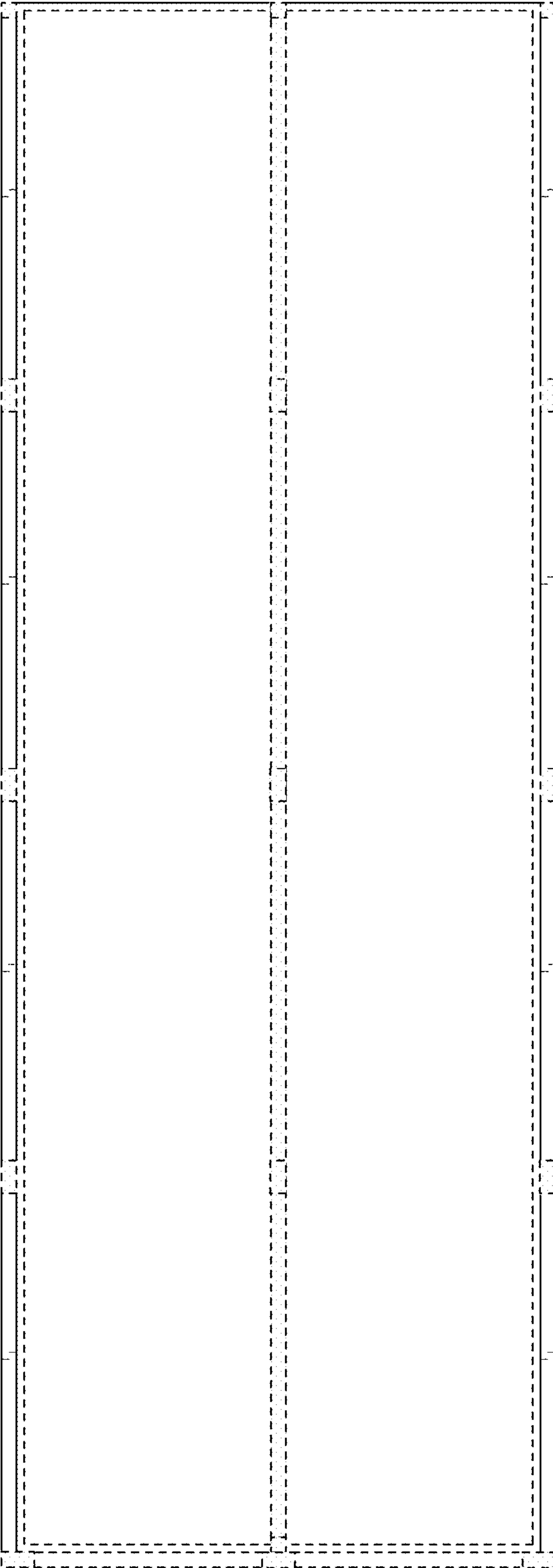


FIG. 15

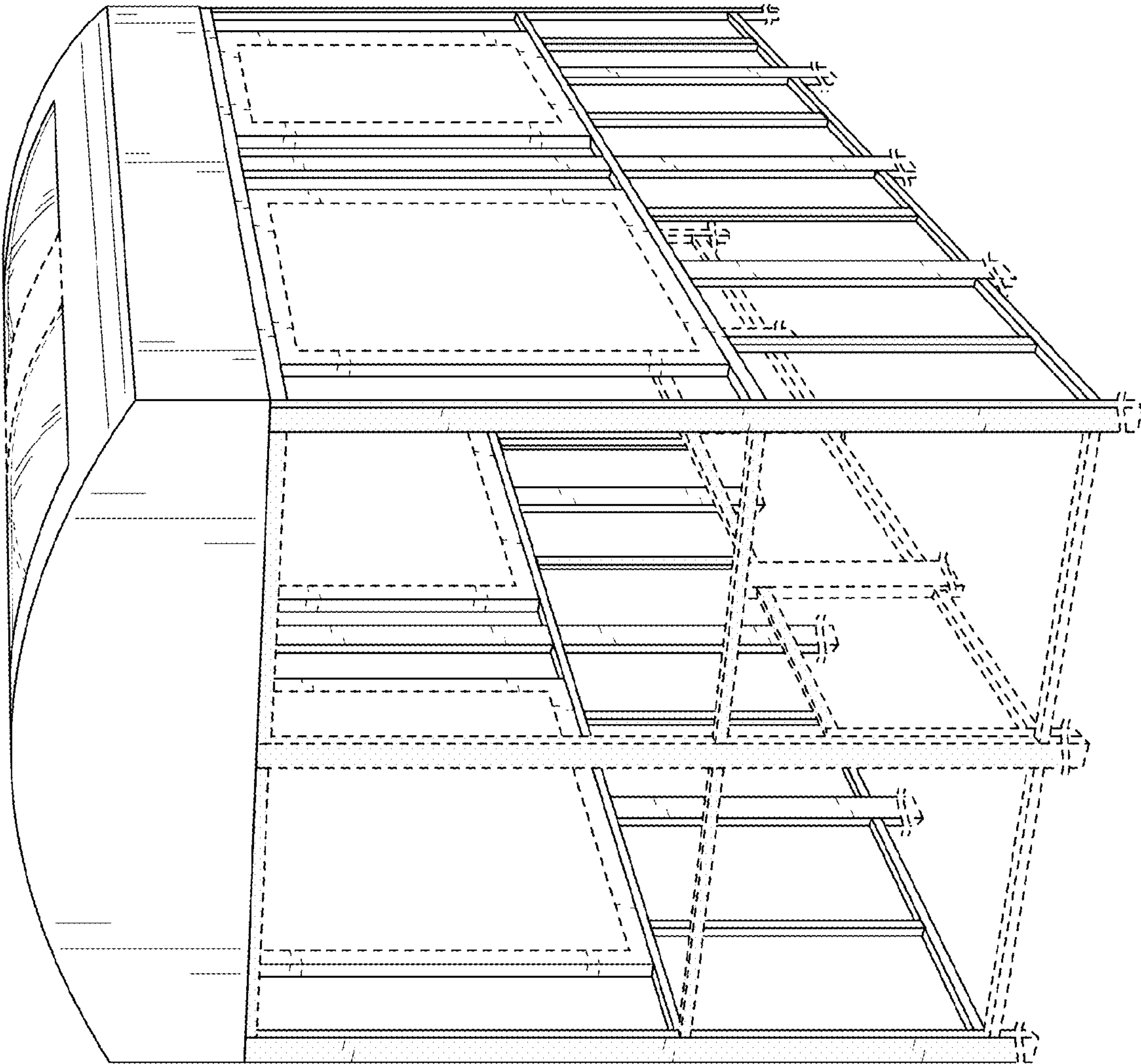


FIG. 16