



US00D874020S

(12) **United States Design Patent**  
**Kamees et al.**

(10) **Patent No.:** **US D874,020 S**  
(45) **Date of Patent:** **\*\* Jan. 28, 2020**

(54) **SOLUTIONS BASIN**

D817,069 S \* 5/2018 Tosdale ..... D7/354  
D824,534 S \* 7/2018 Kelly ..... D24/224  
D834,410 S \* 11/2018 Brown ..... D9/425

(71) Applicant: **Heathrow Scientific LLC**, Vernon Hills, IL (US)

(72) Inventors: **Gary Dean Kamees**, Gurnee, IL (US);  
**Timothy Gerard Driscoll**, Burlington, WI (US); **Brian Paul Schneider**, Crystal Lake, IL (US)

(73) Assignee: **HEATHROW SCIENTIFIC LLC**, Vernon Hills, IL (US)

(\*\*) Term: **15 Years**

(21) Appl. No.: **29/625,850**

(22) Filed: **Nov. 13, 2017**

(51) **LOC (12) Cl.** ..... **24-02**

(52) **U.S. Cl.**  
USPC ..... **D24/227**

(58) **Field of Classification Search**

USPC ..... D24/121, 123, 216–227; D23/203.1,  
D23/203.3, 304, 309; D9/414, 416, 418,  
D9/424–427, 432

CPC ..... A61H 35/006; A47K 3/02; A61J 19/00;  
B60R 15/02

See application file for complete search history.

(56) **References Cited**

**U.S. PATENT DOCUMENTS**

D47,846 S \* 9/1915 Eustis ..... D7/359  
D378,734 S \* 4/1997 Hardy ..... D9/425  
D382,062 S \* 8/1997 Stevens ..... D24/216  
D382,974 S \* 8/1997 Lahm ..... D24/227  
D599,031 S \* 8/2009 Kelly ..... D24/223  
D608,633 S \* 1/2010 Elmerhaus ..... D23/293.1  
D632,956 S \* 2/2011 Fuller ..... D9/424  
D750,272 S \* 2/2016 Hage ..... D24/224  
D758,200 S \* 6/2016 O'Brien ..... D9/425  
D810,285 S \* 2/2018 Adams ..... D24/123

**OTHER PUBLICATIONS**

Heathrow Scientific HD20521A Clear PVC Non-Sterile Multi-Channel Reagent Reservoir, 55mL Volume (Pack of 100). Online, published date unknown. Retrieved on Jan. 4, 2019 from URL: <https://www.amazon.com/Heathrow-Scientific-Non-Sterile-Multi-Channel-Reservoir/dp/B006BDDK1Q>.\*

\* cited by examiner

*Primary Examiner* — Susan Bennett Hattan

*Assistant Examiner* — Omeed Agilee

(74) *Attorney, Agent, or Firm* — Michael Best & Friedrich LLP

(57) **CLAIM**

We claim the ornamental design for a solutions basin, as shown and described.

**DESCRIPTION**

FIG. 1 is a perspective view of a solutions basin according to one embodiment of the present invention.

FIG. 2 is a front view of the solutions basin of FIG. 1.

FIG. 3 is a rear view of the solutions basin of FIG. 1.

FIG. 4 is a left-side view of the solutions basin of FIG. 1.

FIG. 5 is a right-side view of the solutions basin of FIG. 1.

FIG. 6 is a top view of the solutions basin of FIG. 1.

FIG. 7 is a perspective view of a solutions basin according to another embodiment of the present invention.

FIG. 8 is a front view of the solutions basin of FIG. 7.

FIG. 9 is a rear view of the solutions basin of FIG. 7.

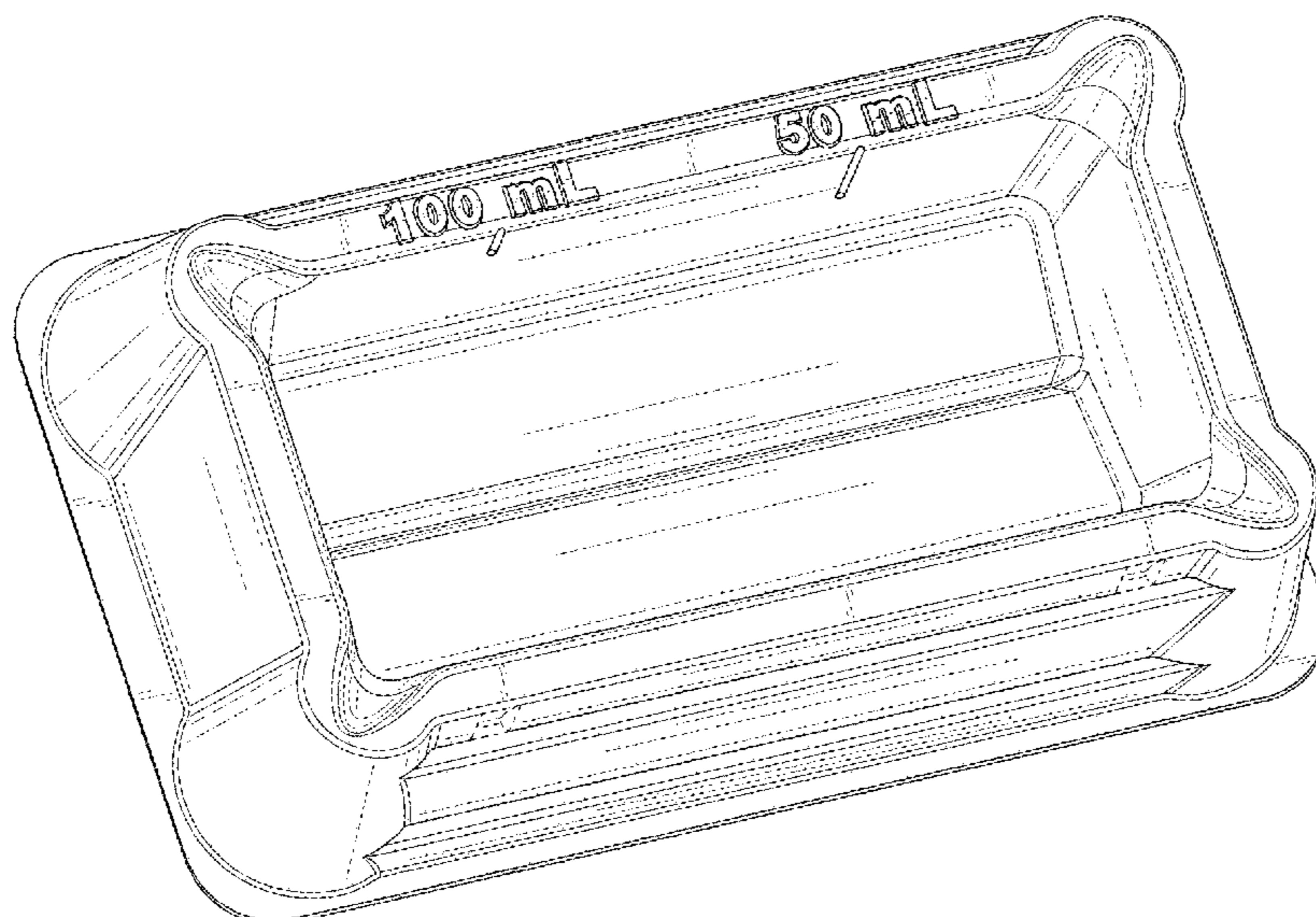
FIG. 10 is a left-side view of the solutions basin of FIG. 7.

FIG. 11 is a right-side view of the solutions basin of FIG. 7; and,

FIG. 12 is a top view of the solutions basin of FIG. 7.

The broken line in the drawings depict portions of the solutions basin that form no part of the claimed design.

**1 Claim, 12 Drawing Sheets**



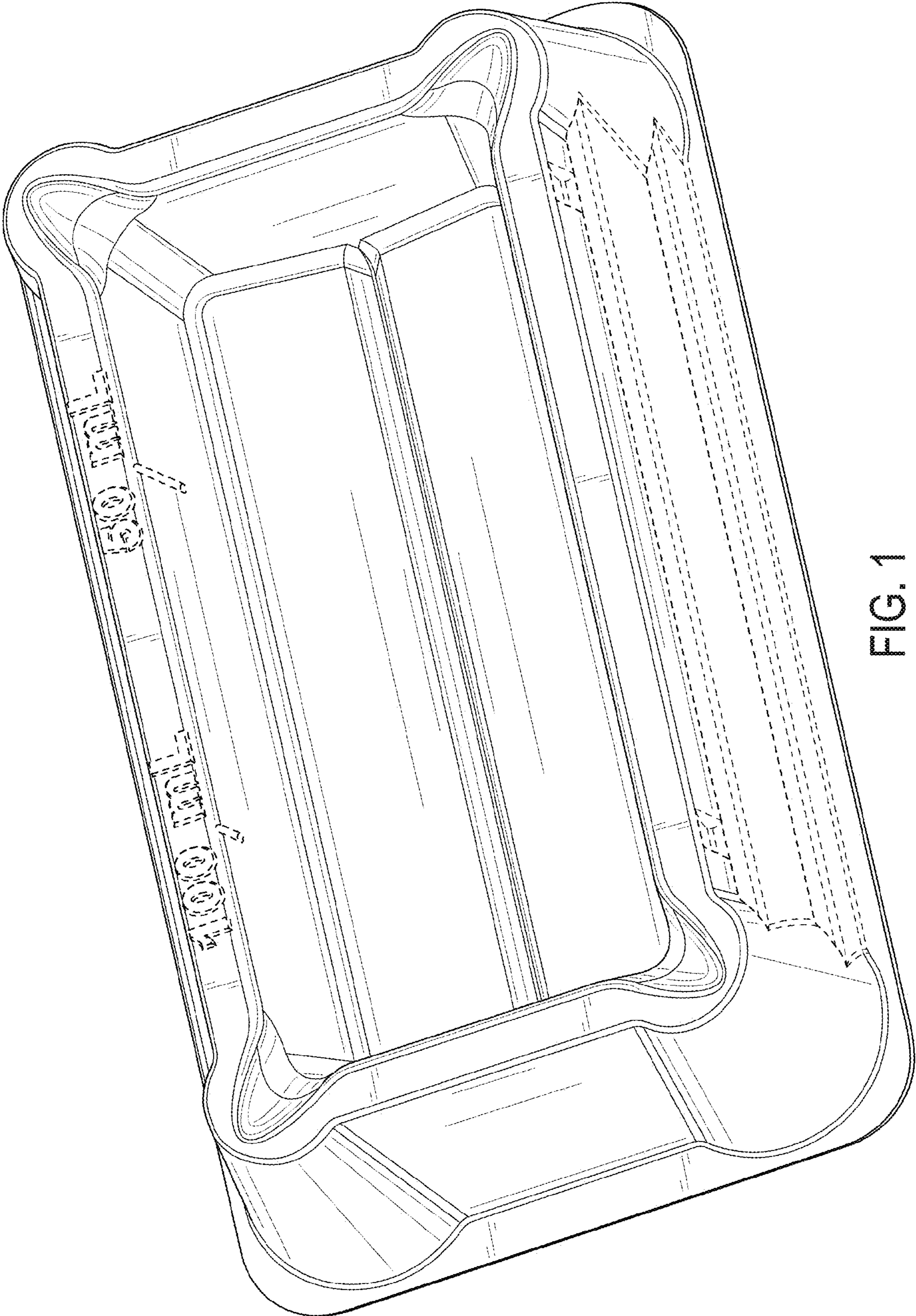


FIG. 1

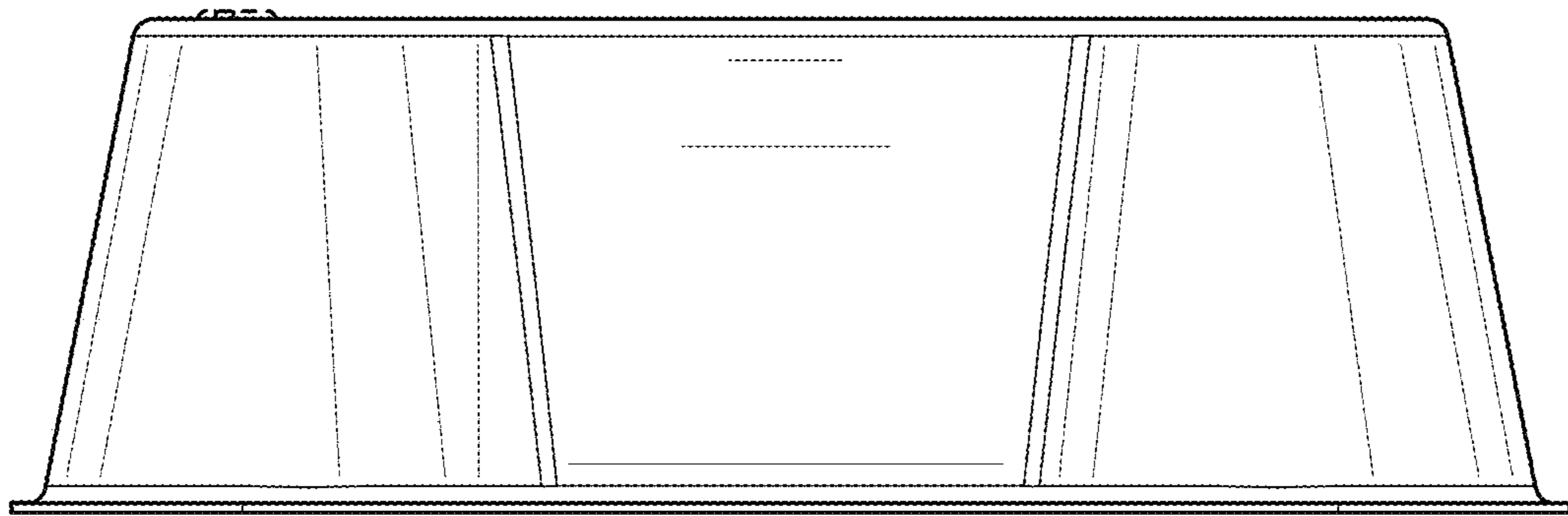


FIG. 2

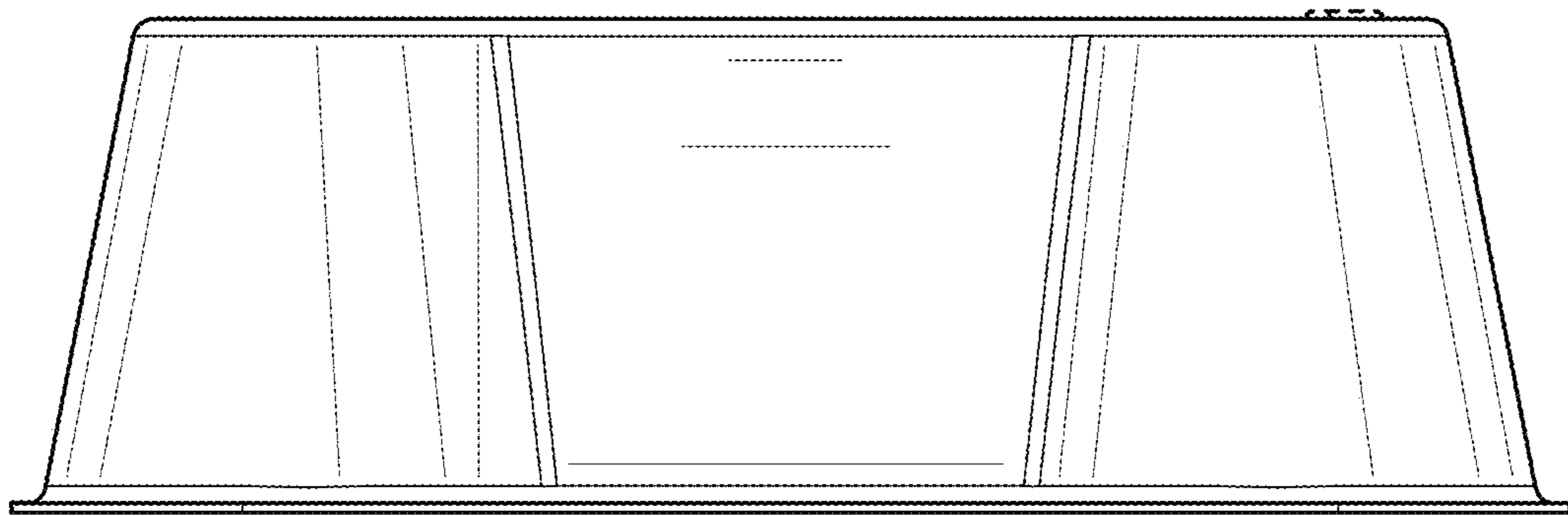


FIG. 3

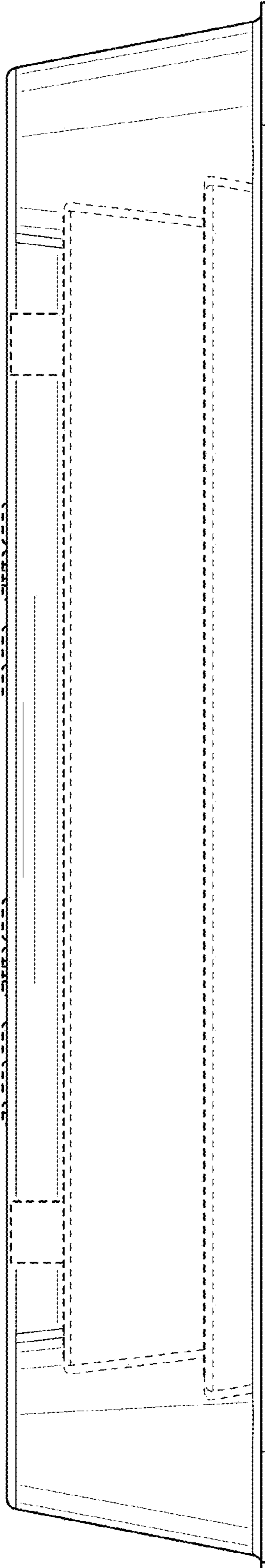


FIG. 4

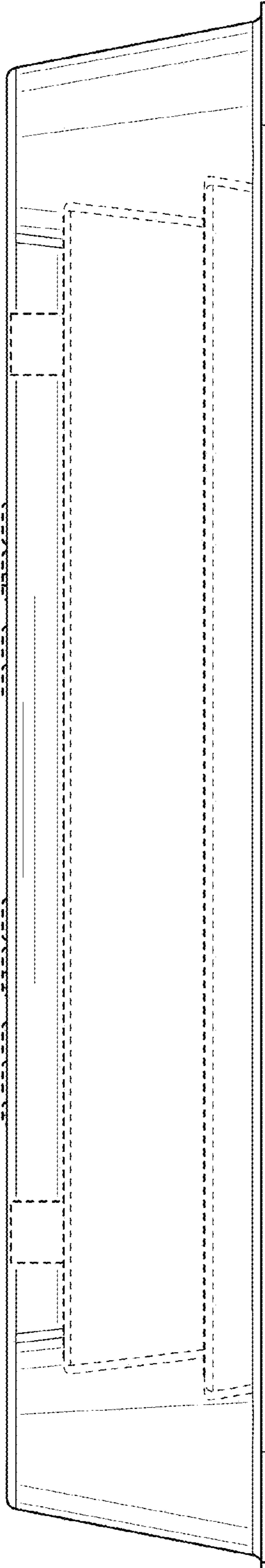


FIG. 5

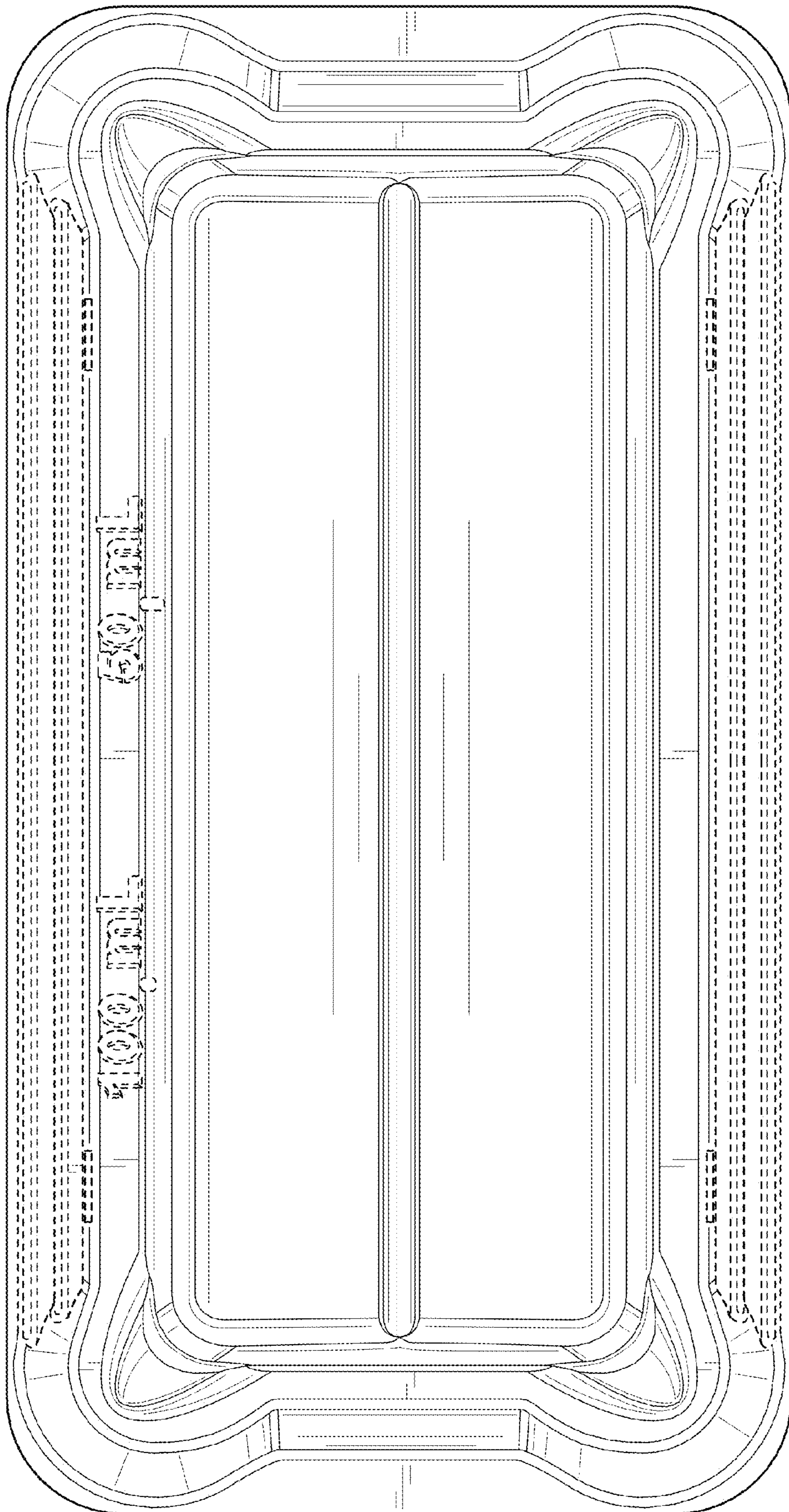


FIG. 6

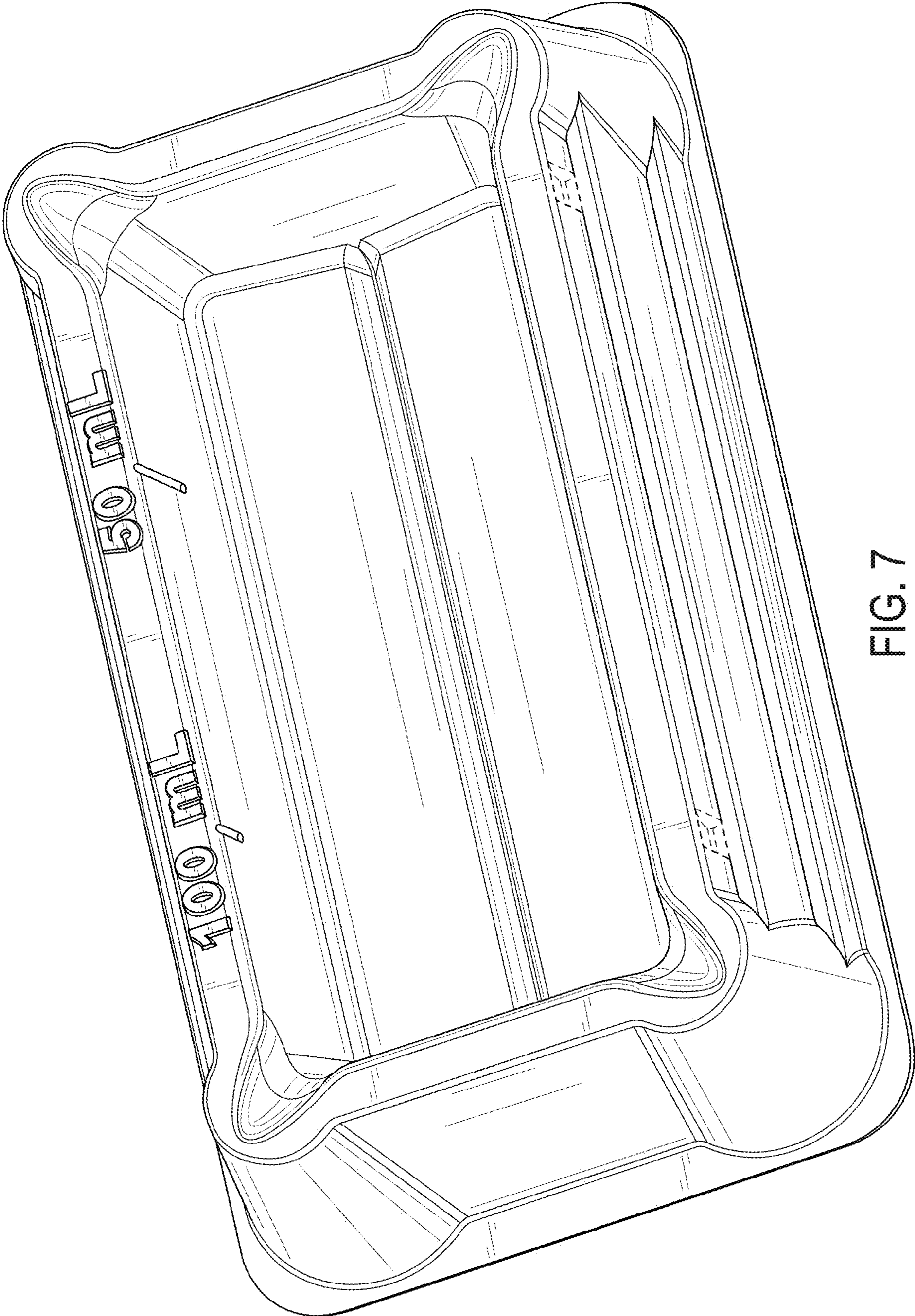


FIG. 7



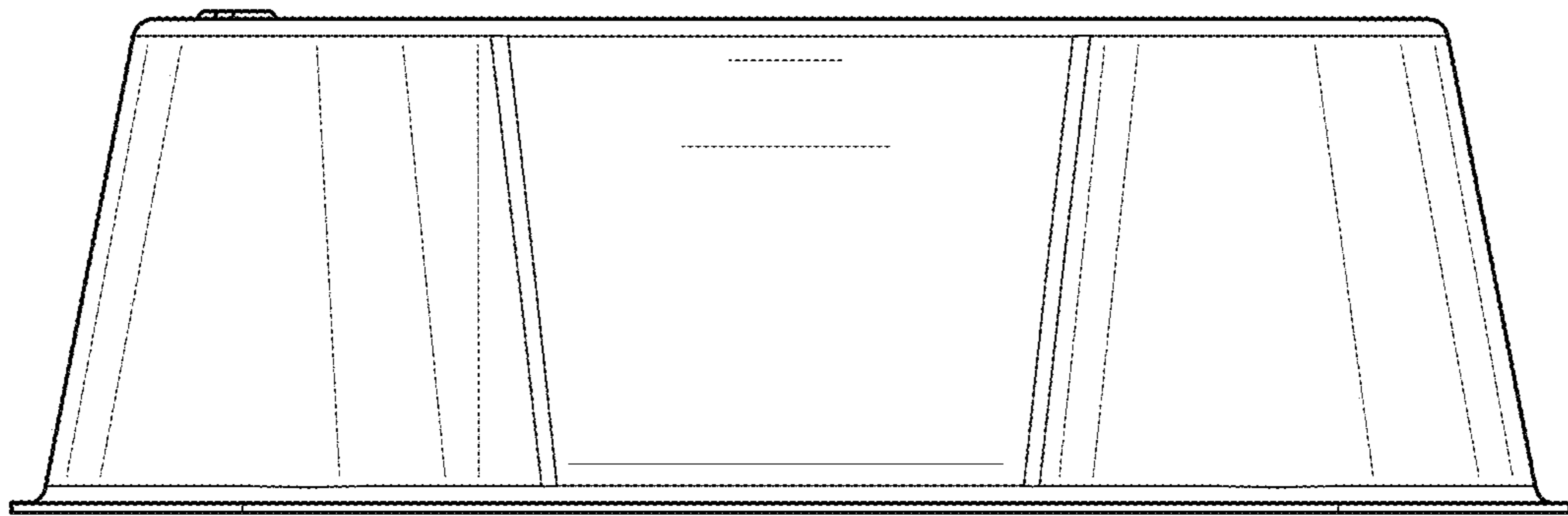


FIG. 8

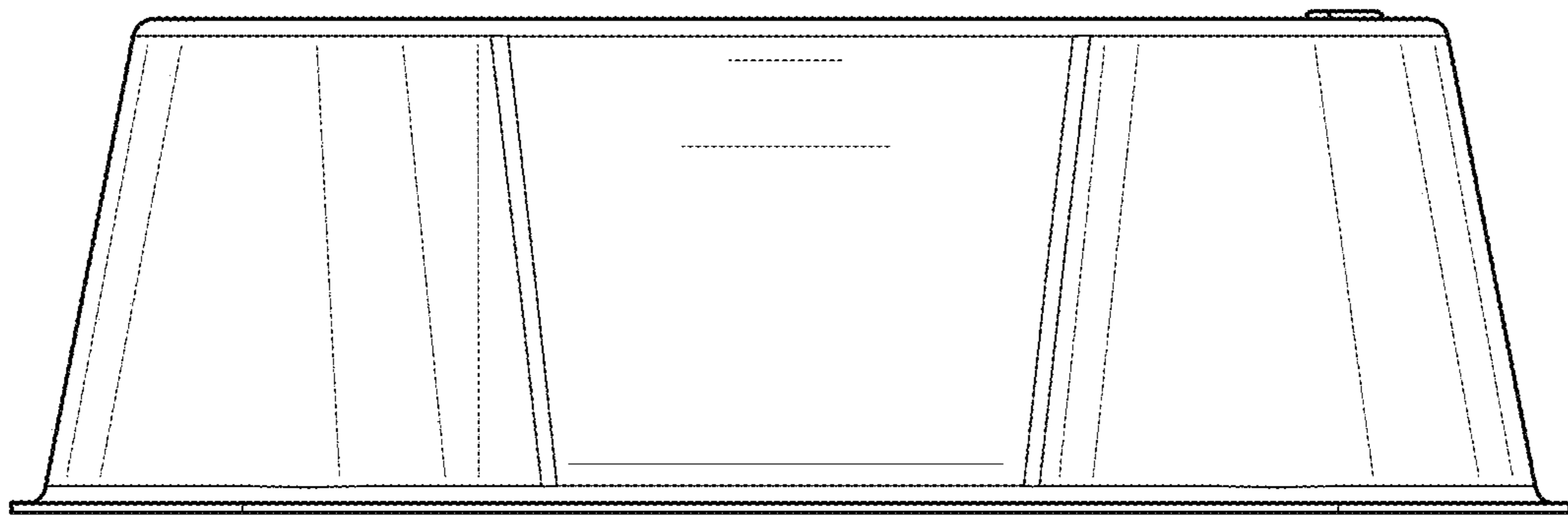


FIG. 9

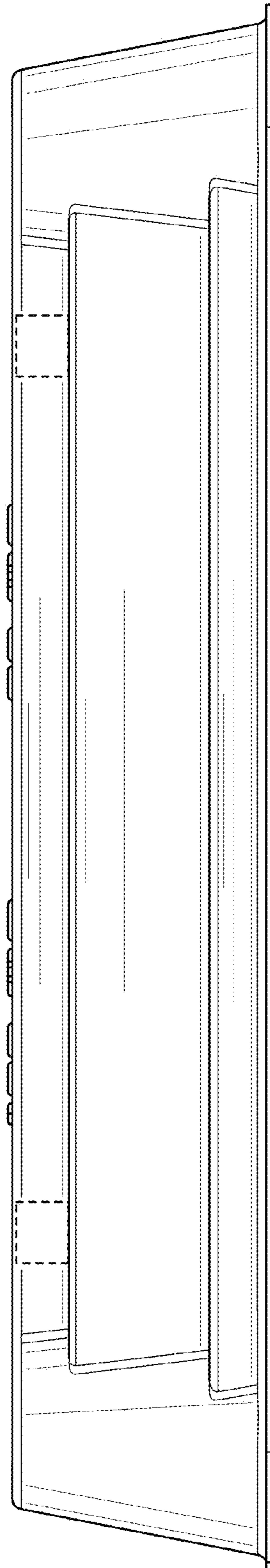


FIG. 10

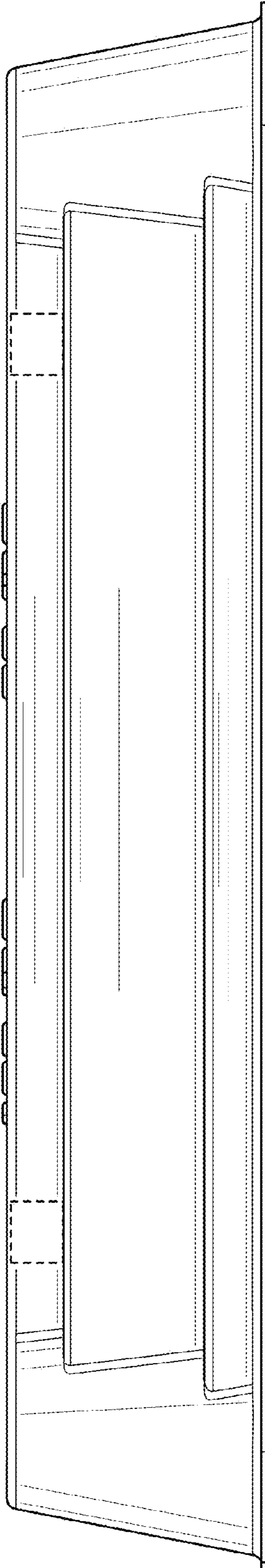


FIG. 11

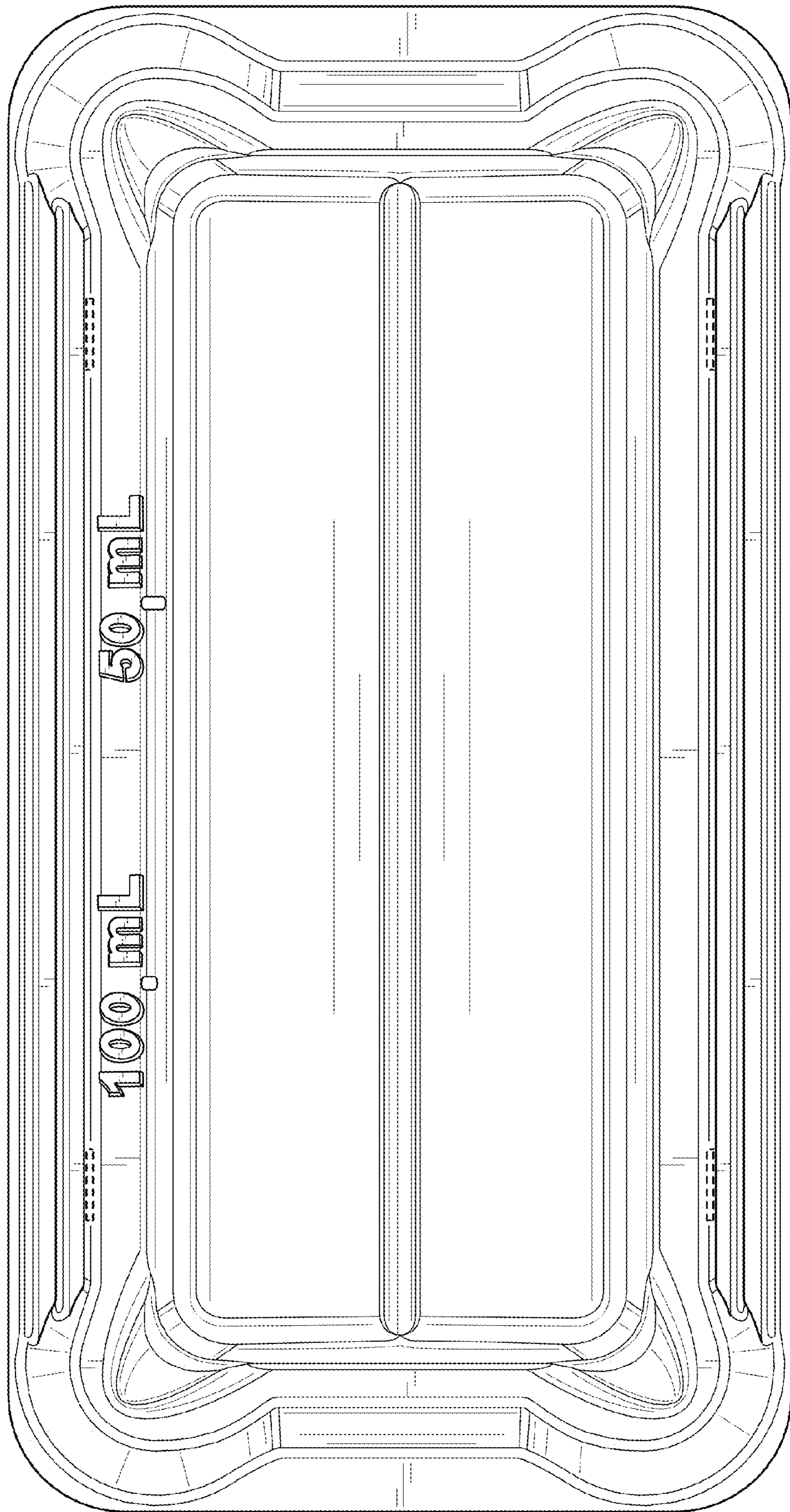


FIG. 12