



US00D874019S

(12) **United States Design Patent**  
**Fisch**

(10) **Patent No.:** **US D874,019 S**  
(45) **Date of Patent:** **\*\* Jan. 28, 2020**

(54) **MICROSCOPE SLIDE ASSEMBLY**

(71) Applicant: **Harry Fisch**, New York, NY (US)

(72) Inventor: **Harry Fisch**, New York, NY (US)

(\*\*) Term: **15 Years**

(21) Appl. No.: **29/664,854**

(22) Filed: **Sep. 28, 2018**

(51) **LOC (12) Cl.** ..... **24-02**

(52) **U.S. Cl.**  
USPC ..... **D24/225**

(58) **Field of Classification Search**  
USPC ..... D24/216–217, 219, 223–226, 227,  
D24/229–231, 232; D10/81  
CPC ..... B01L 3/508; G01N 1/2813  
See application file for complete search history.

(56) **References Cited**

**U.S. PATENT DOCUMENTS**

D218,819 S *	9/1970	Rbin	.....	D24/225
D258,266 S *	2/1981	Curran	.....	D24/224
D258,388 S *	2/1981	Parker	.....	D14/482
D273,898 S *	5/1984	Valencia	.....	D24/225
D277,699 S *	2/1985	Valencia	.....	D24/225
D307,794 S *	5/1990	Williams	.....	D24/217
5,571,721 A *	11/1996	Turner	.....	B01L 3/5085 359/398
D418,228 S *	12/1999	Fisch	.....	D24/225
D423,678 S *	4/2000	Fisch	.....	D24/225
D431,300 S *	9/2000	Fisch	.....	D24/225
D431,301 S *	9/2000	Fisch	.....	D24/225
D569,990 S *	5/2008	Fisch	.....	D24/225
D621,060 S *	8/2010	Handique	.....	D24/225
D683,045 S *	5/2013	Domack	.....	D24/225
D819,828 S *	6/2018	Buschtez	.....	D24/225
D827,857 S *	9/2018	Buschtez	.....	D24/225
D841,183 S *	2/2019	Walden, II	.....	D24/224
2002/0079239 A1 *	6/2002	Hrisinko	.....	B01L 9/52 206/232

**OTHER PUBLICATIONS**

Bel-Art Microscope Slide Tray; 20 Capacity, 13½×6⅝ in., Plastic. Online, published date unknown. Retrieved on Sep. 19, 2019 from URL: <https://www.belart.com/bel-art-h44581-0000-polystyrene-microscope-slide-tray-13-x-6-holds-20-1-x-3-slides-pack-of-6.html>.\*

\* cited by examiner

*Primary Examiner* — Susan Bennett Hattan

*Assistant Examiner* — Omeed Agilee

(74) *Attorney, Agent, or Firm* — Norris McLaughlin P.A.

(57) **CLAIM**

The ornamental design for a microscope slide assembly, as shown and described.

**DESCRIPTION**

FIG. 1 is a perspective view of a microscope slide assembly of the present design;

FIG. 2 is a front elevation view of a microscope assembly of the present design;

FIG. 3 is a back elevation view of a microscope slide assembly of the present design;

FIG. 4 is a left side elevation view of a microscope slide assembly of the present design;

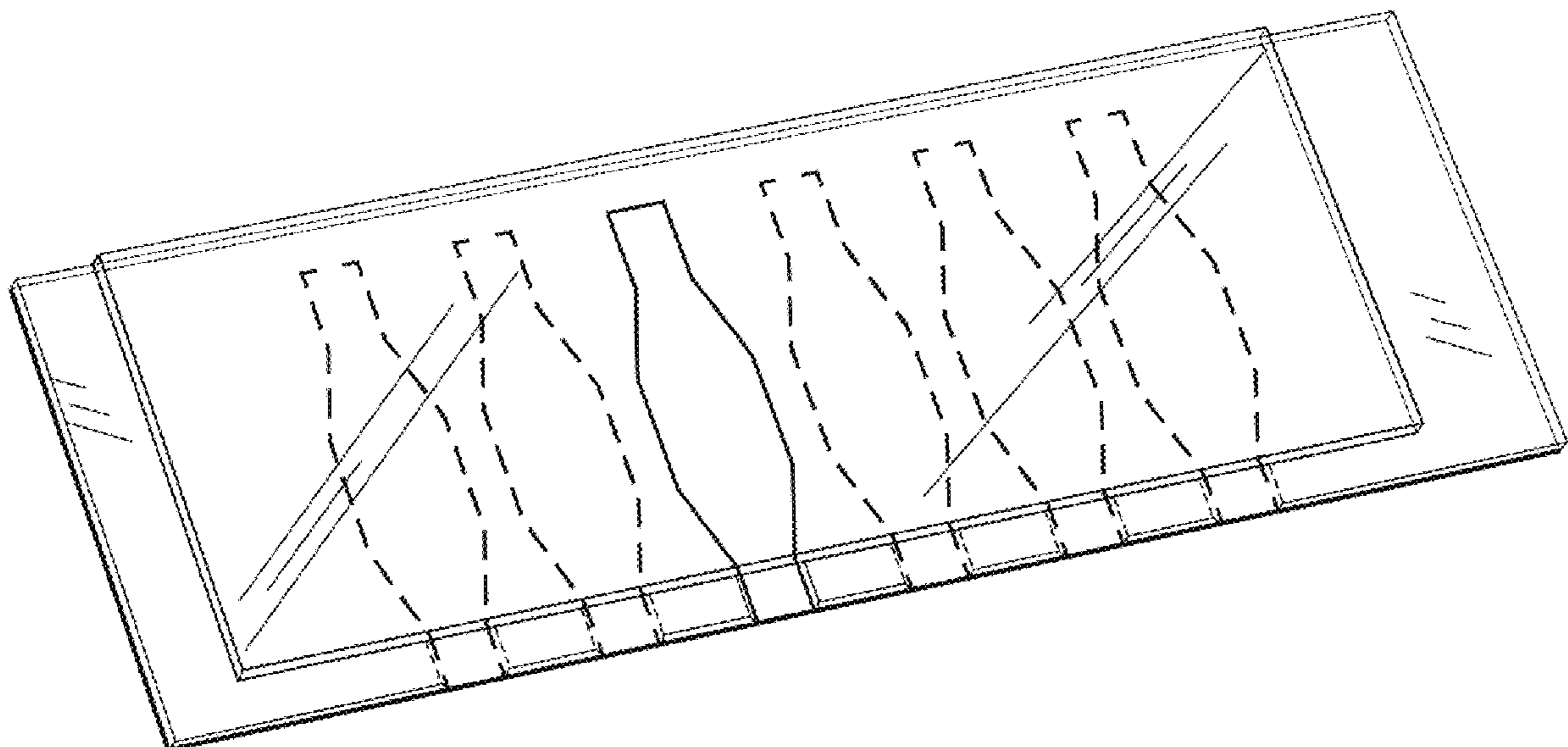
FIG. 5 is a right side elevation view of a microscope slide assembly of the present design;

FIG. 6 is a top plan view of a microscope slide assembly of the present design; and,

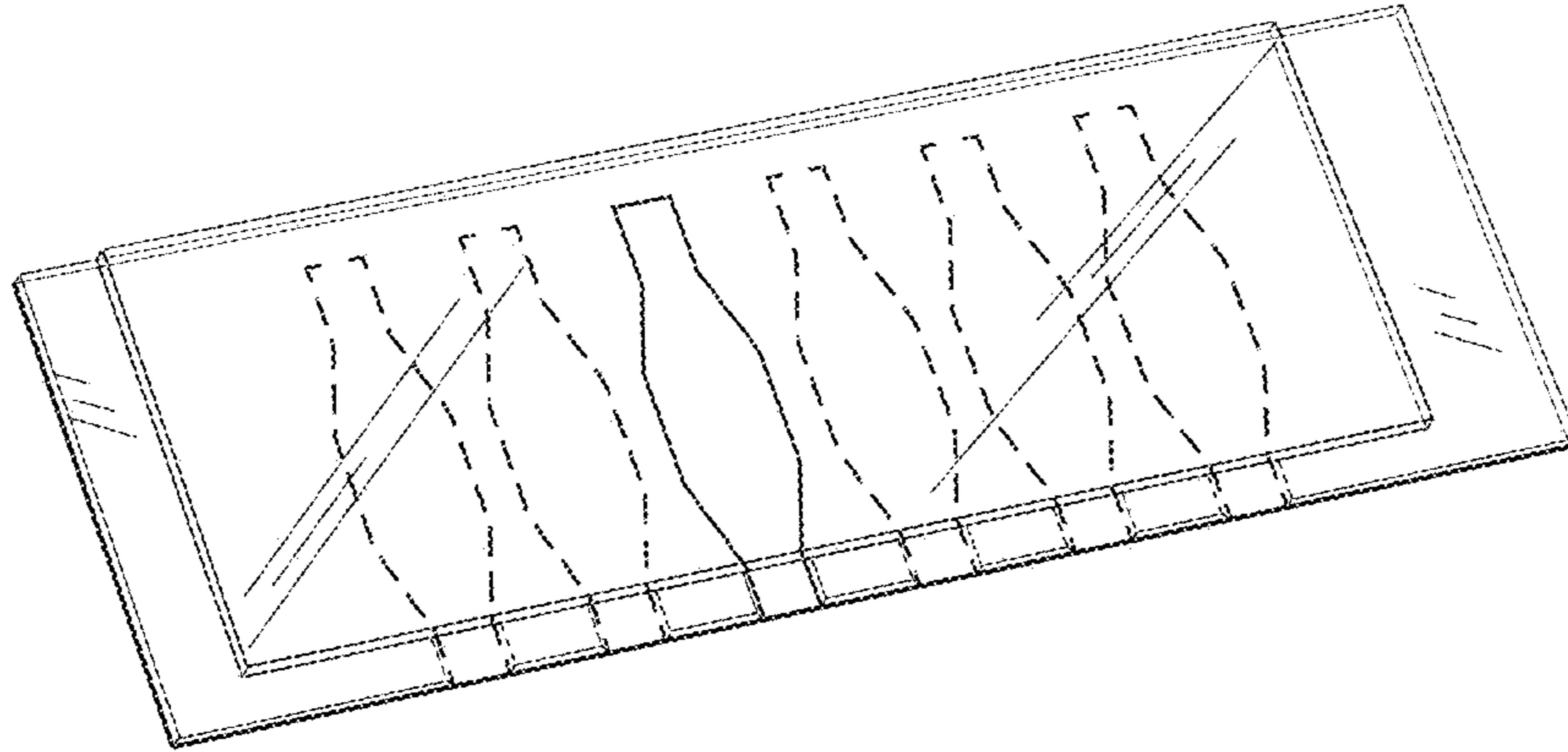
FIG. 7 is a bottom plan view of a microscope slide assembly of the present design.

The broken lines in the drawings depict portions of the microscope slide assembly that form no part of the claimed design.

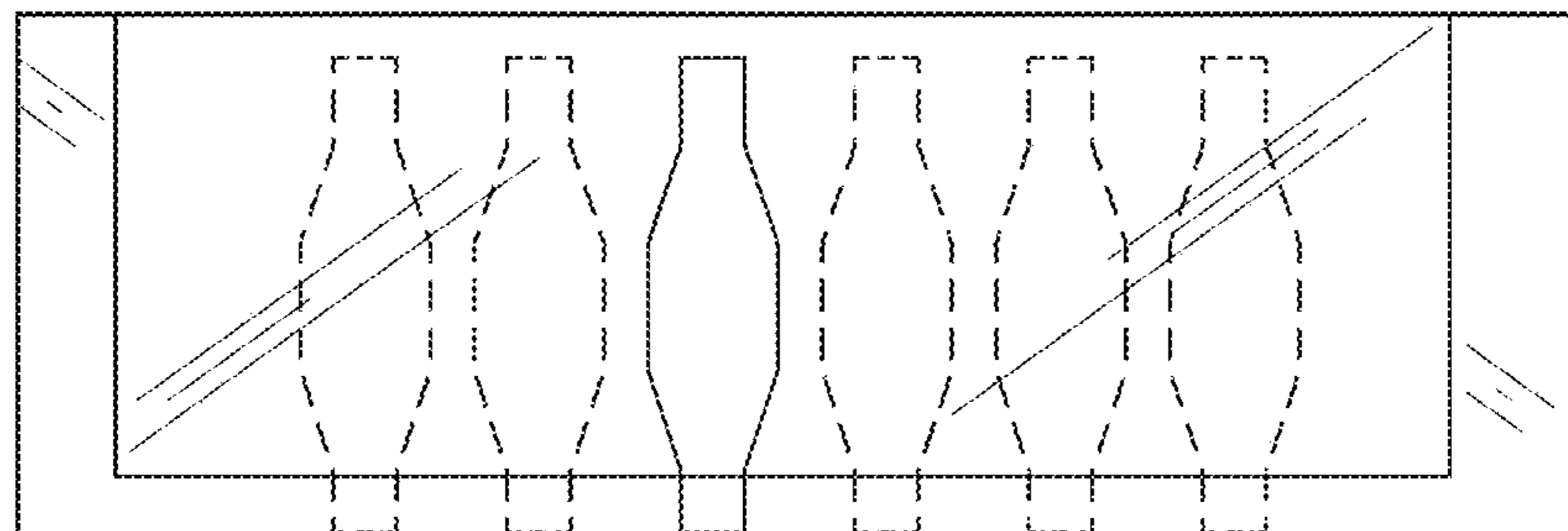
**1 Claim, 2 Drawing Sheets**



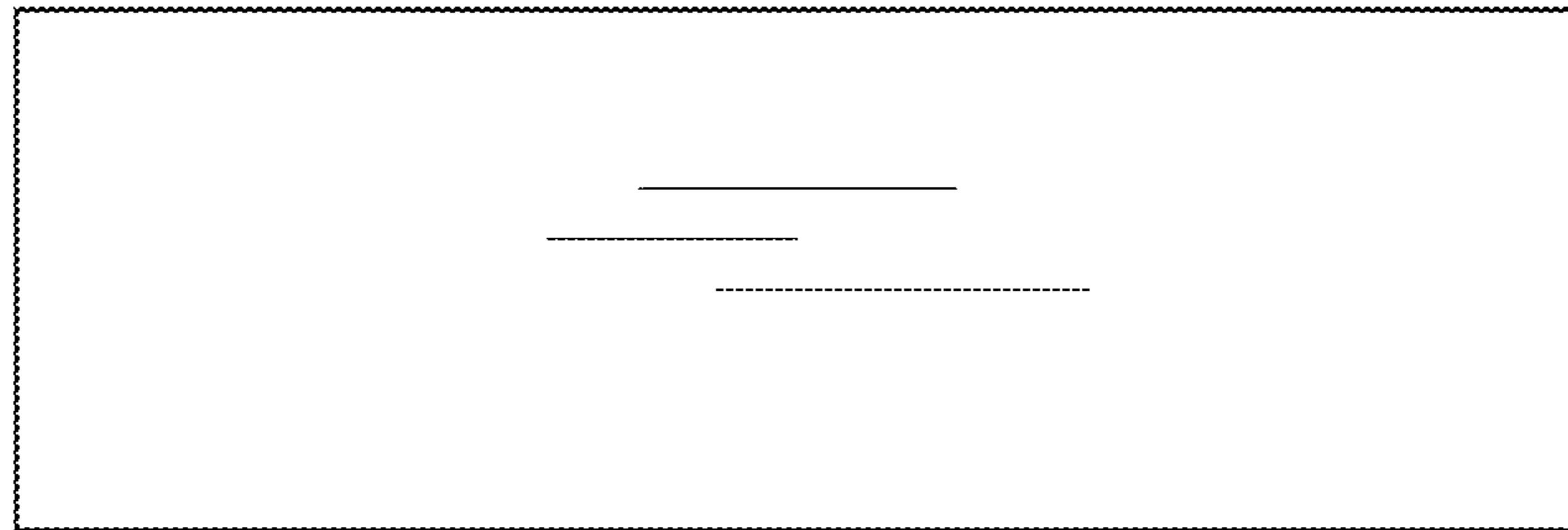
**FIG. 1**



**FIG. 2**



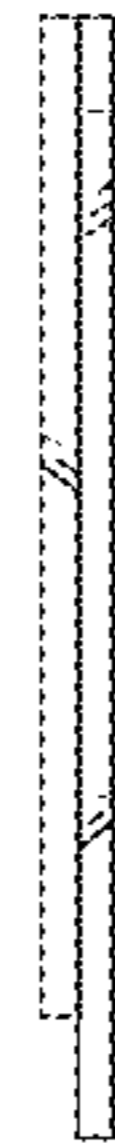
**FIG. 3**



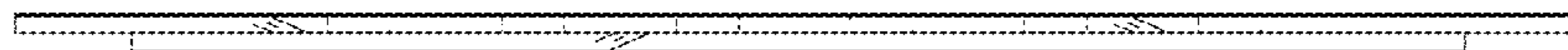
**FIG. 4**



**FIG. 5**



**FIG. 6**



**FIG. 7**

