



US00D874018S

(12) **United States Design Patent**
Teramura et al.

(10) **Patent No.:** **US D874,018 S**

(45) **Date of Patent:** **** Jan. 28, 2020**

(54) **CULTURE DEVICE**

(71) Applicant: **JNC CORPORATION**, Tokyo (JP)

(72) Inventors: **Hajime Teramura**, Kanagawa (JP); **Aoi Fujiwara**, Kanagawa (JP)

(73) Assignee: **JNC CORPORATION**, Tokyo (JP)

(**) Term: **15 Years**

(21) Appl. No.: **29/639,114**

(22) Filed: **Mar. 4, 2018**

(30) **Foreign Application Priority Data**

Sep. 4, 2017 (JP) D2017-019063

(51) **LOC (12) Cl.** **24-02**

(52) **U.S. Cl.**
USPC **D24/225**

(58) **Field of Classification Search**
USPC D24/216, 223–227, 229–232; D9/537,
D9/545, 549; D3/203.1, 203.2; D10/81
CPC .. B01L 3/0275; B01L 3/5085; B01L 3/50825;
C12M 23/10; C12M 23/12
See application file for complete search history.

(56) **References Cited**

U.S. PATENT DOCUMENTS

3,888,741 A * 6/1975 Freake C12M 41/34
435/288.3
D315,208 S * 3/1991 Valencia D24/224
D316,752 S * 5/1991 Ricketts D24/226

D316,753 S * 5/1991 Ricketts D24/224
5,520,302 A * 5/1996 Anderson C12M 23/10
206/507
D431,301 S * 9/2000 Fisch D24/225
D689,688 S * 9/2013 Horn D3/203.2
D690,828 S * 10/2013 Yoon D24/224
D694,904 S * 12/2013 Banes D24/224
D767,163 S * 9/2016 Schimmel D24/226
D793,572 S * 8/2017 Kozuka D24/224

* cited by examiner

Primary Examiner — Susan Bennett Hattan

Assistant Examiner — Omeed Agilee

(57) **CLAIM**

The ornamental design for a culture device, as shown and described.

DESCRIPTION

FIG. 1 is a front elevational view of a culture device showing our new design;
FIG. 2 is a rear elevational view thereof;
FIG. 3 is a right side elevational view thereof;
FIG. 4 is a left side elevational view thereof;
FIG. 5 is a top plan view thereof; and
FIG. 6 is a bottom plan view thereof.
FIG. 7 is a cross-sectional view thereof taken along line 7-7 of FIG. 1;
FIG. 8 is a cross-sectional view thereof taken along line 8-8 shown in FIG. 3;
FIG. 9 is a front elevational view thereof in an open position;
FIG. 10 is a top plan view thereof in an open position; and,
FIG. 11 is a left side elevational view thereof in an open position.

1 Claim, 11 Drawing Sheets

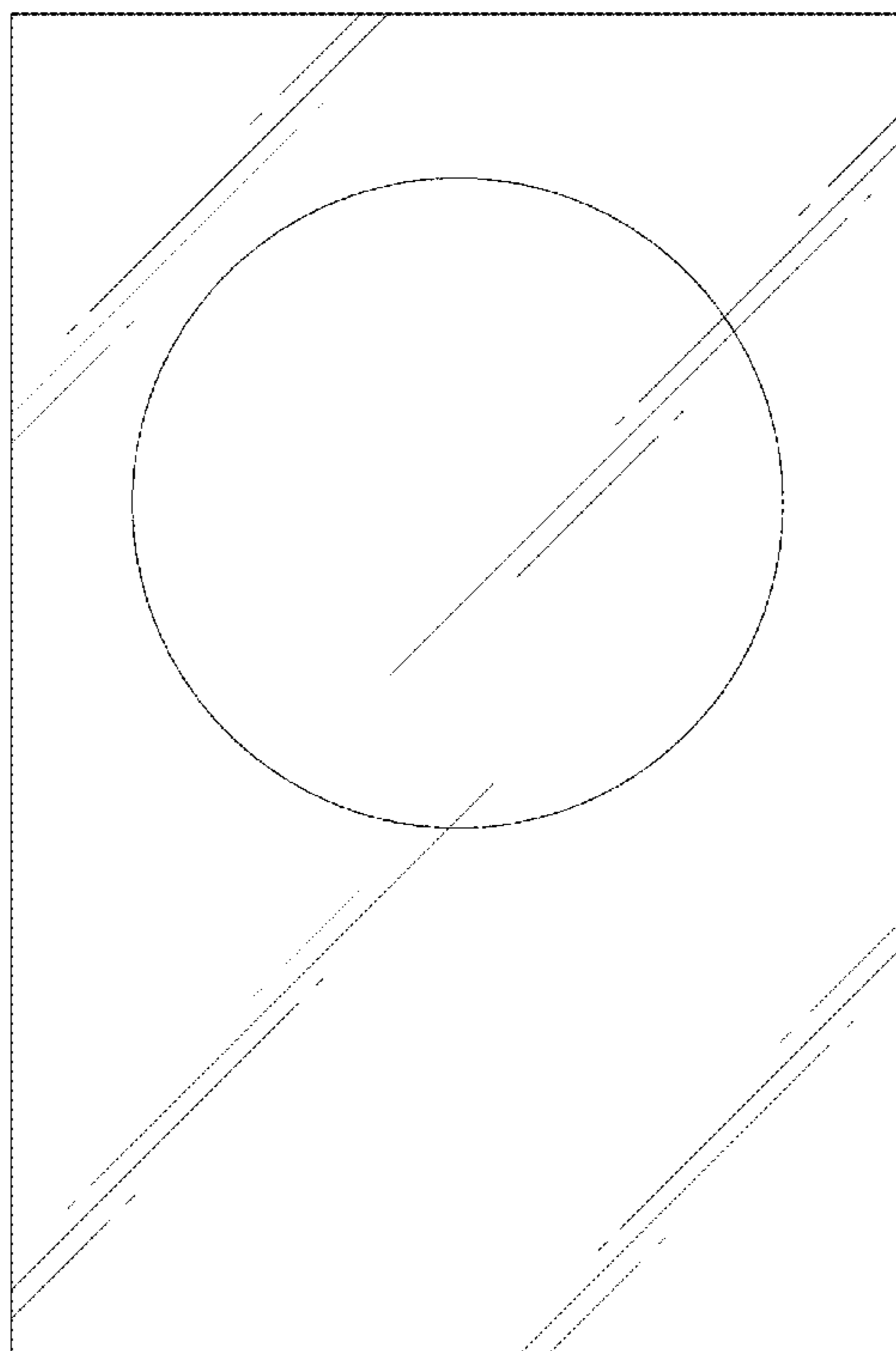


FIG. 1

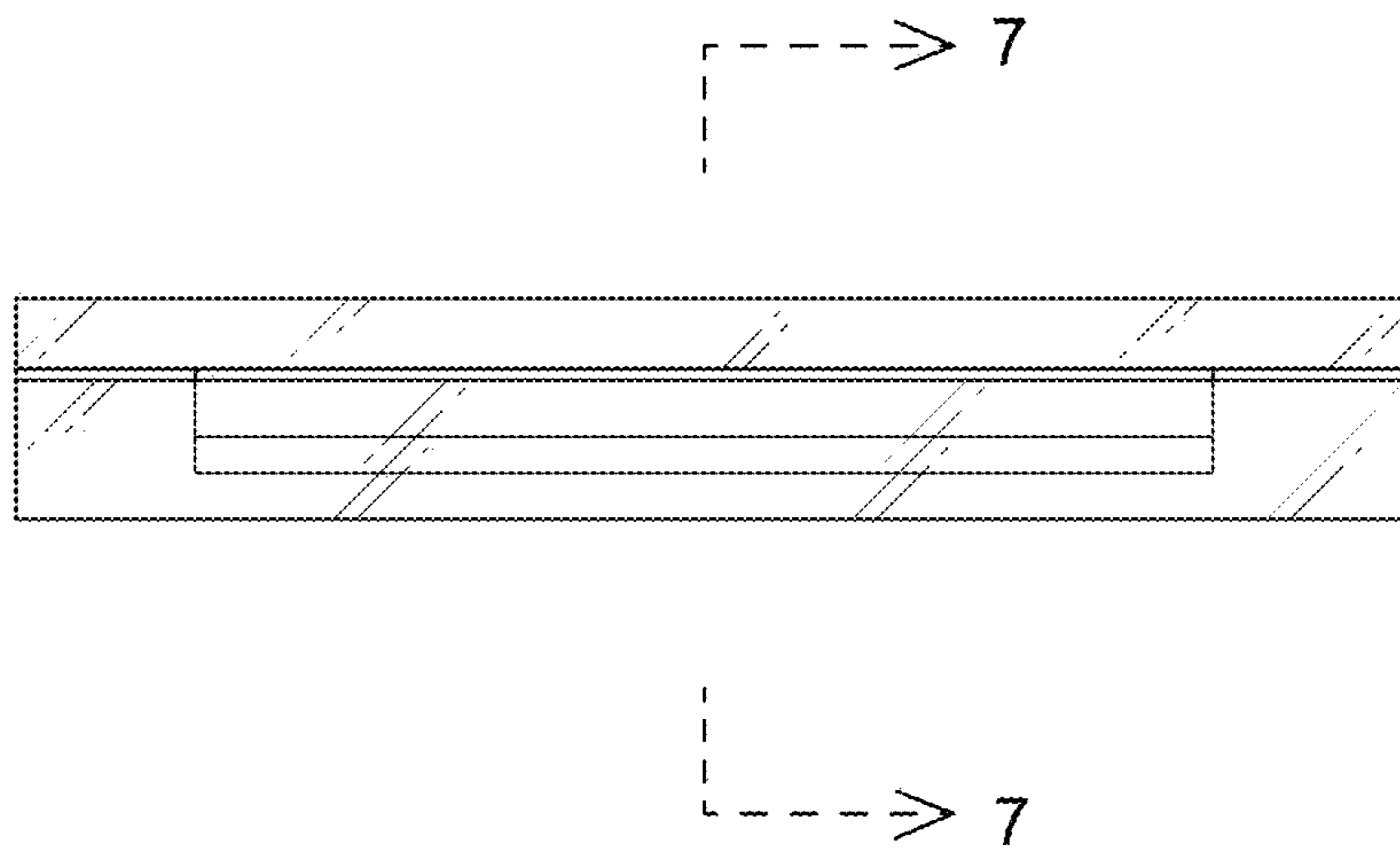


FIG. 2

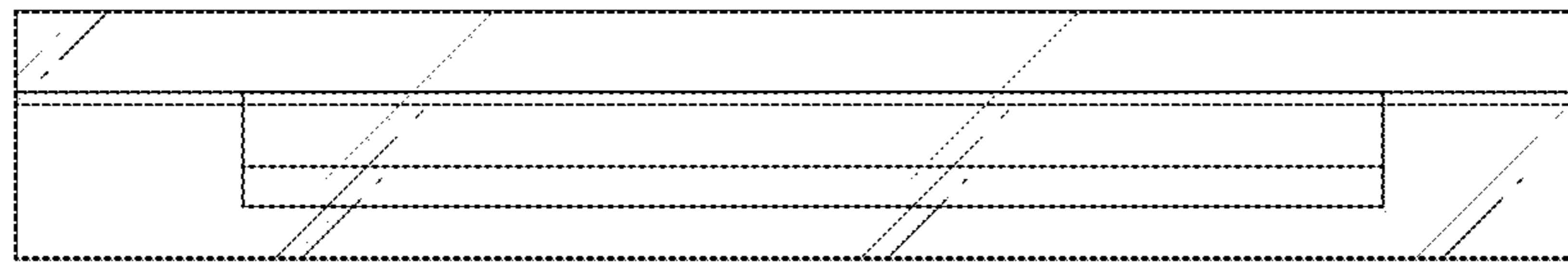


FIG. 3

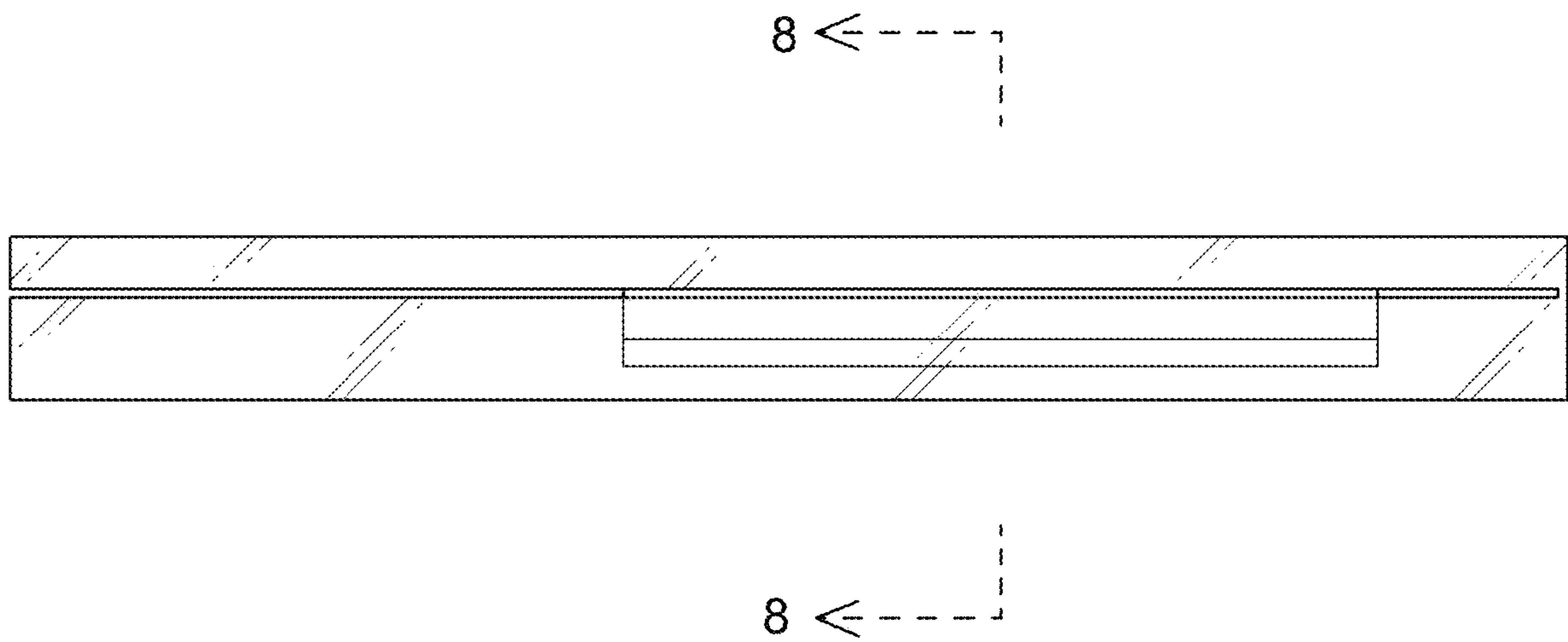


FIG. 4

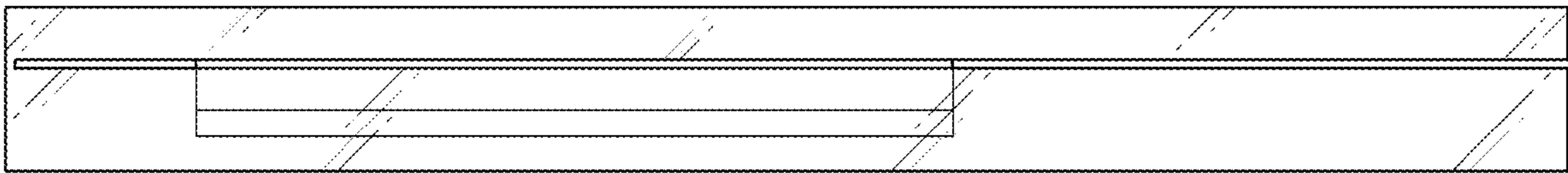


FIG. 5

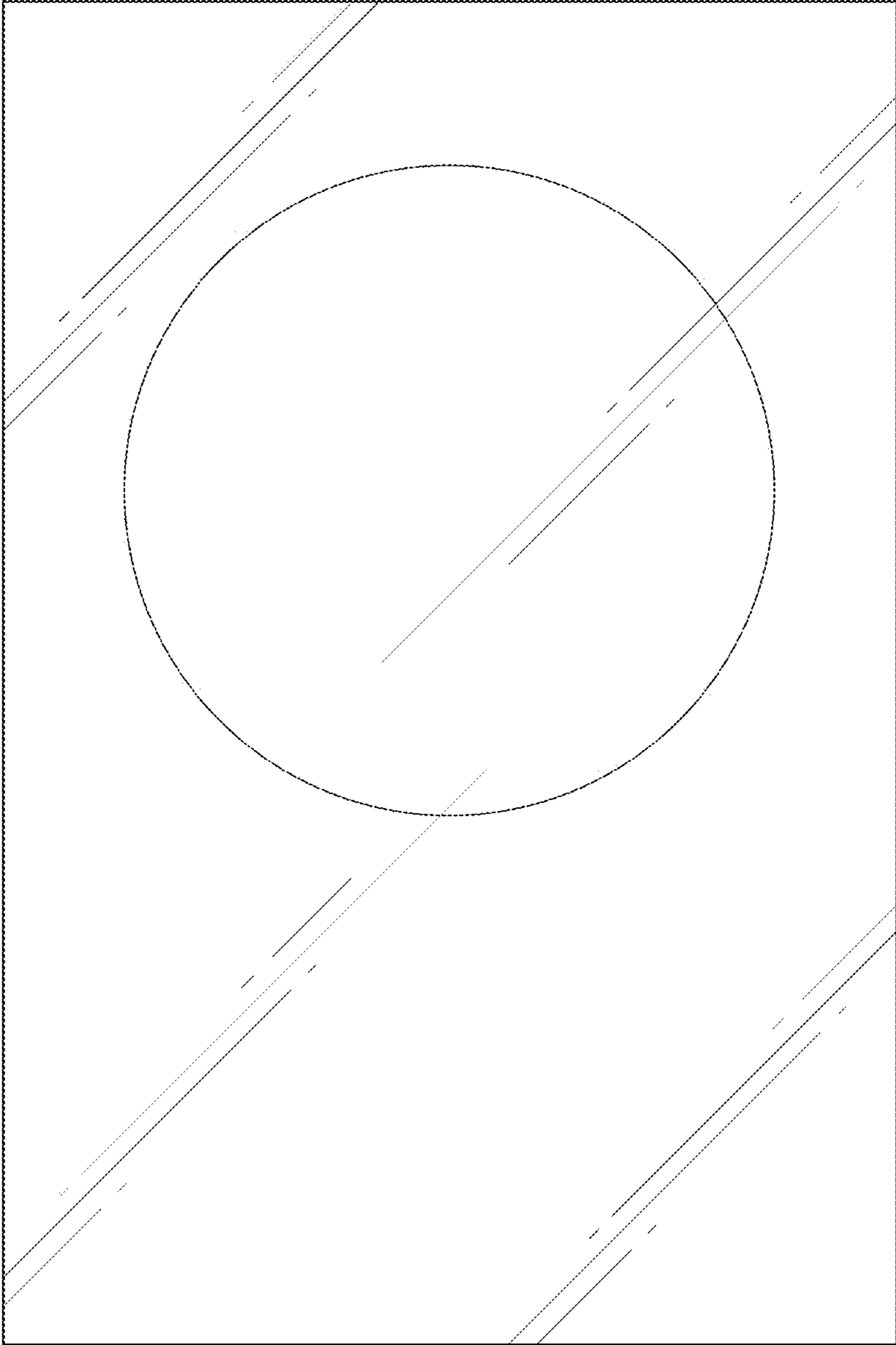


FIG. 6

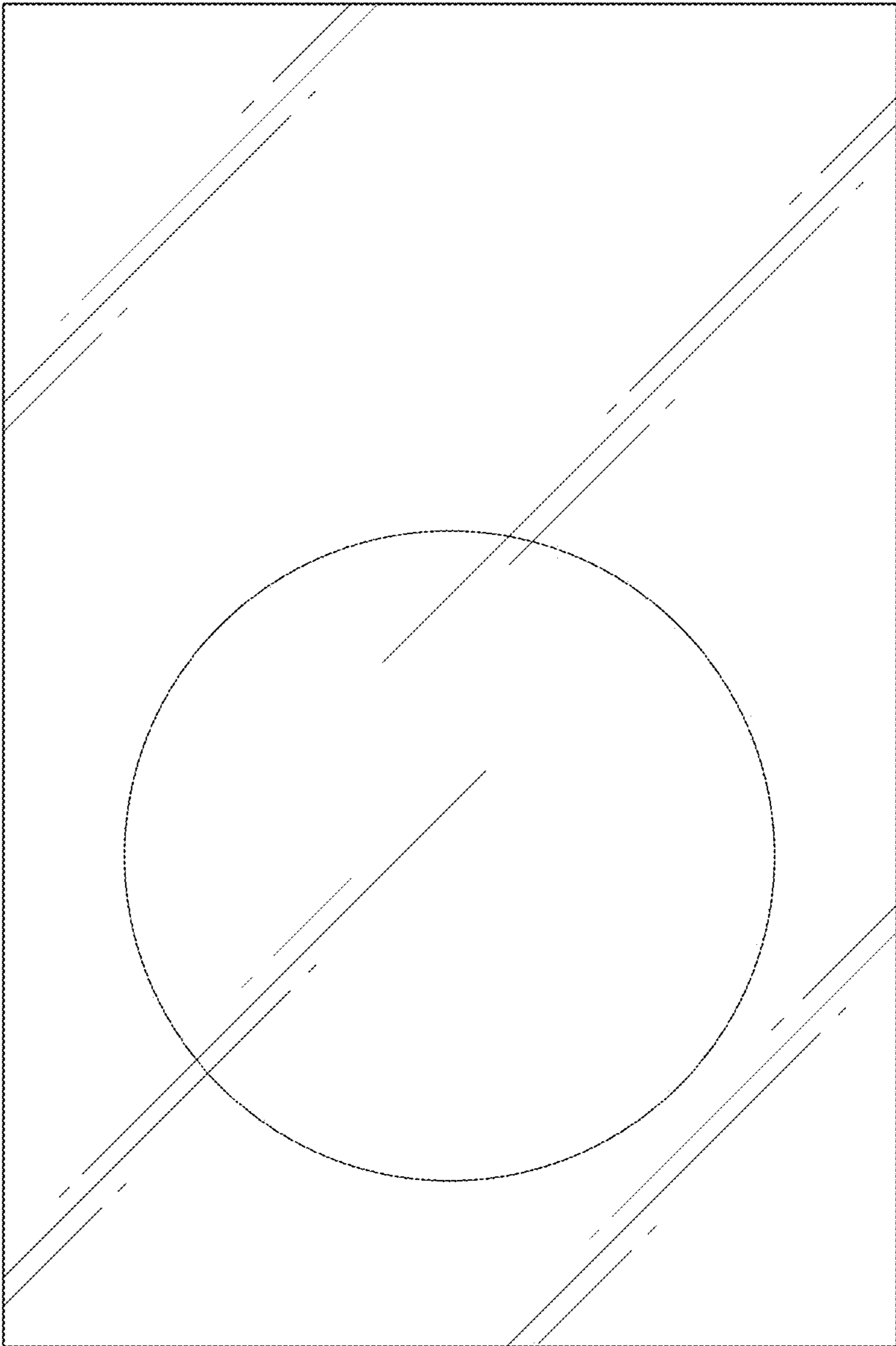


FIG. 7

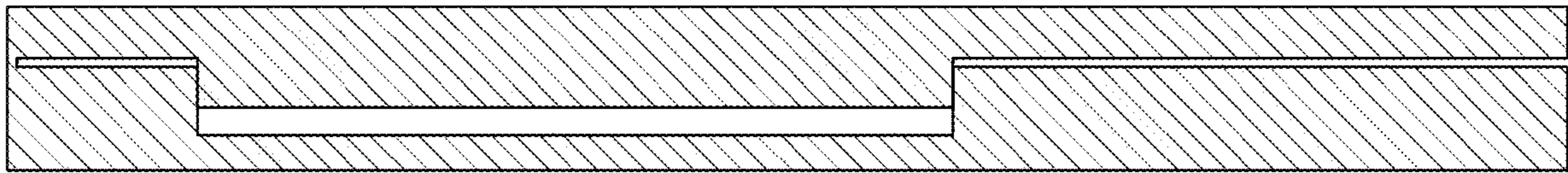


FIG. 8

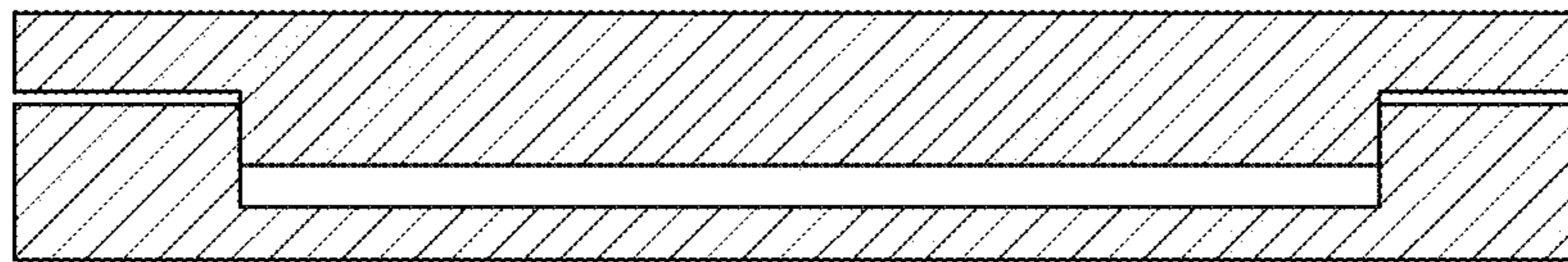


FIG. 9

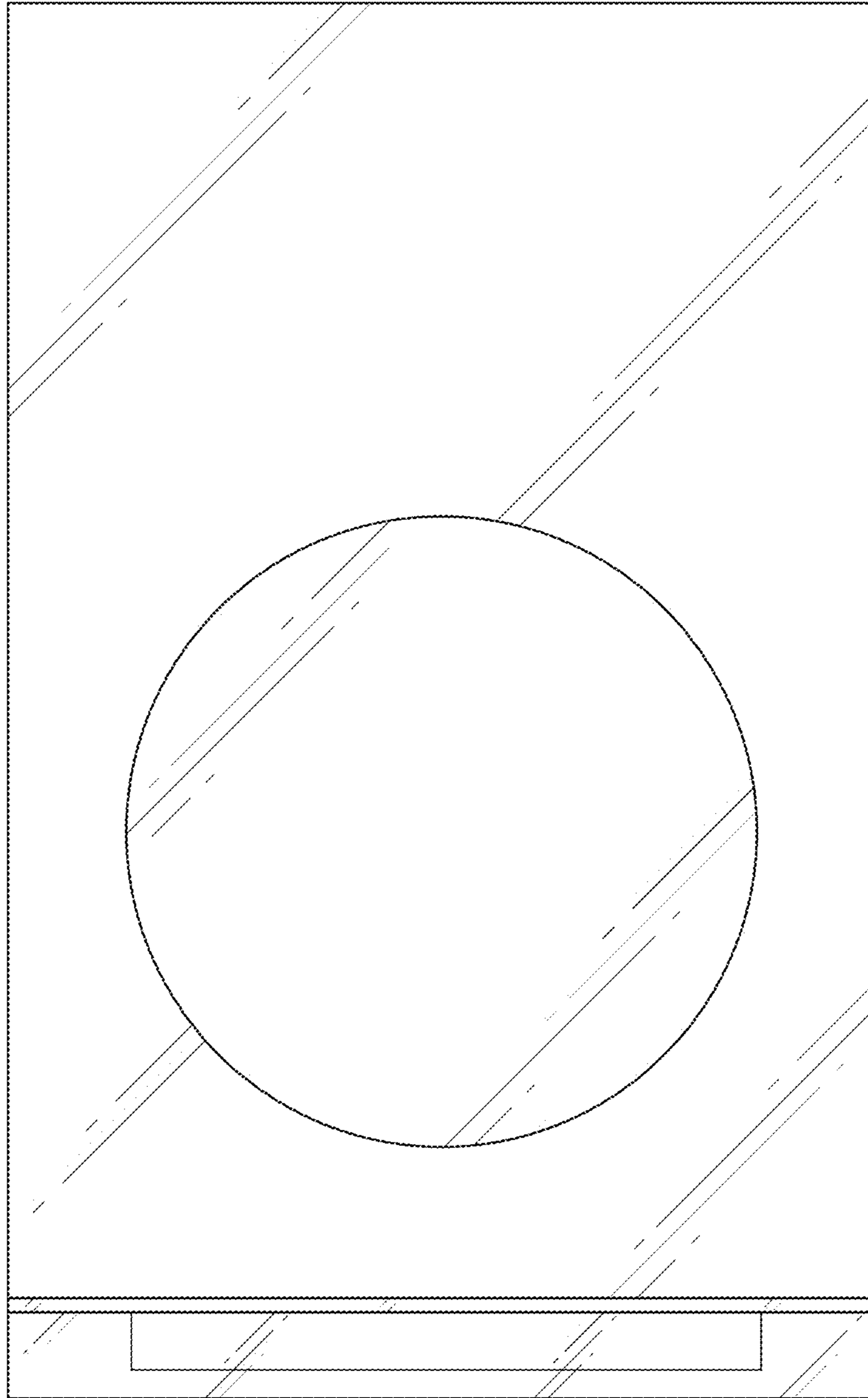


FIG. 10

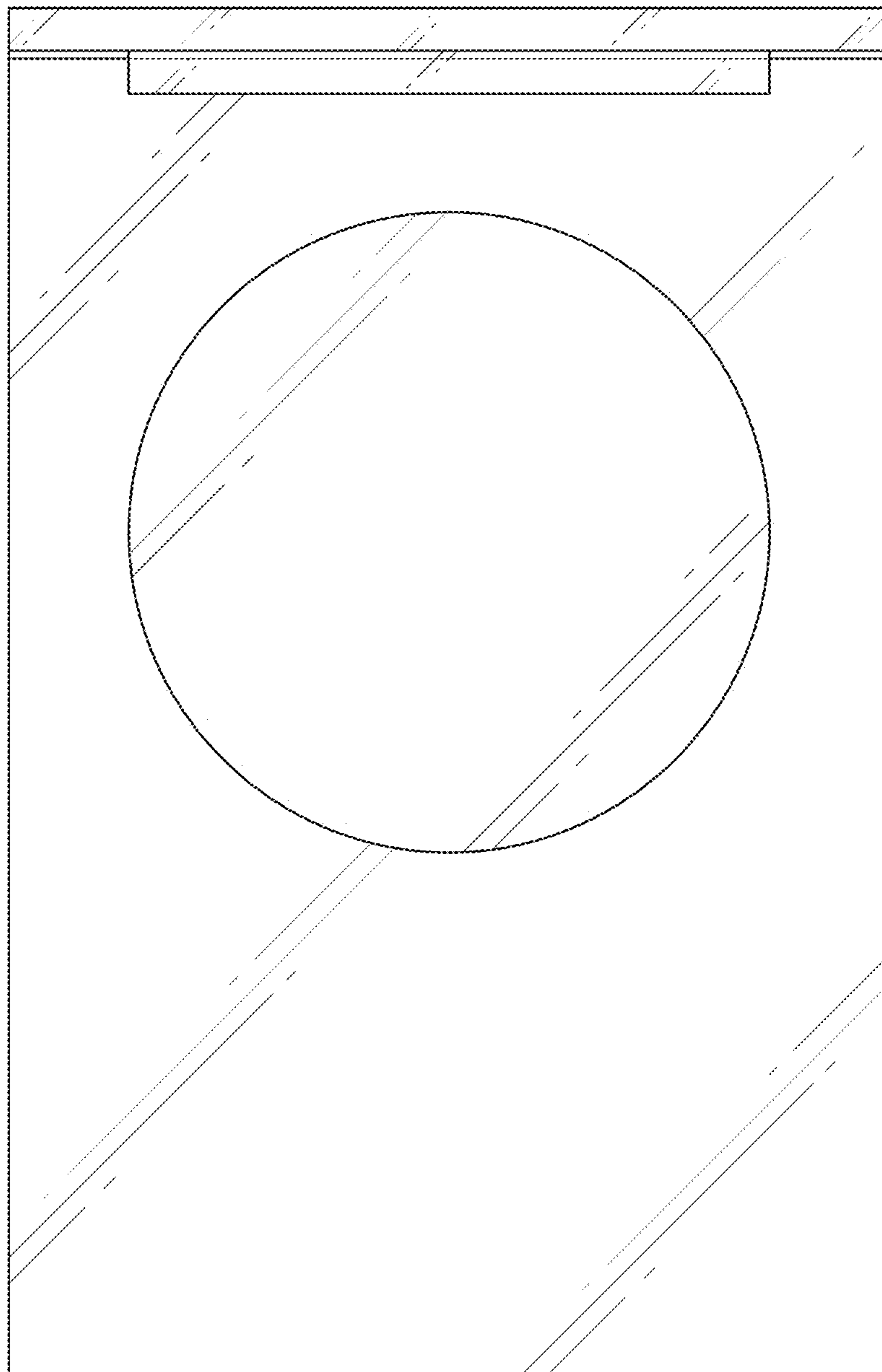


FIG. 11

