

US00D874016S

(12) **United States Design Patent** (10) **Patent No.:** **US D874,016 S**  
**Figueredo et al.** (45) **Date of Patent:** **\*\* Jan. 28, 2020**

(54) **SAMPLE READER**

(56) **References Cited**

(71) Applicant: **Hi Technologies SA**, Curitiba, PR (BR)

U.S. PATENT DOCUMENTS

(72) Inventors: **Marcus Vinicius Mazega Figueredo**, Curitiba (BR); **Sérgio Renato Rogal, Jr.**, Curitiba (BR); **Marcelo Júnior Cossetin**, Curitiba (BR); **Raquel dos Santos Verríssimo**, Curitiba (BR); **Ricardo Felipe Lopes da Silva**, Curitiba (BR); **Kátya Jaqueline Ribeiro Passos**, Curitiba (BR)

D333,630 S \* 3/1993 Marks ..... D10/81  
D682,432 S \* 5/2013 Khan ..... D24/186  
D720,466 S \* 12/2014 Edding ..... D24/216  
D773,067 S \* 11/2016 Wang ..... D24/216  
D805,650 S \* 12/2017 Hsiung ..... D24/216  
2012/0088230 A1 \* 4/2012 Givens ..... G01N 21/0303  
435/5  
2016/0188937 A1 \* 6/2016 Tyrrell ..... G01N 33/48771  
382/128

(73) Assignee: **Hi Technologies S.A.**, Curitiba, PR (BR)

\* cited by examiner

(\*\*) Term: **15 Years**

*Primary Examiner* — Anhdao Doan

(21) Appl. No.: **29/608,628**

(74) *Attorney, Agent, or Firm* — Pilloff & Passino LLP; Sean A. Passino; Rachel K. Pilloff

(22) Filed: **Jun. 23, 2017**

(57) **CLAIM**

The ornamental design for a sample reader, as shown and described.

(30) **Foreign Application Priority Data**

**DESCRIPTION**

Dec. 29, 2016 (BR) ..... 30 2016 005996 09

(51) **LOC (12) Cl.** ..... **24-01**

(52) **U.S. Cl.**

USPC ..... **D24/216**

(58) **Field of Classification Search**

USPC ..... D24/107, 169, 185, 186, 216–219, D24/231–234; D10/81

CPC ..... G01N 21/0483; G01N 21/0303; G01N 35/00029; G01N 35/00019; G01N 2035/00326; G01N 21/6428; G01N 21/6486; G01N 2201/061

See application file for complete search history.

FIG. 1 is a front perspective view of a sample reader showing our design.

FIG. 2 is a front side elevational view thereof.

FIG. 3 is a rear side elevational view thereof.

FIG. 4 is a right side elevational view thereof.

FIG. 5 is a left side elevational view thereof.

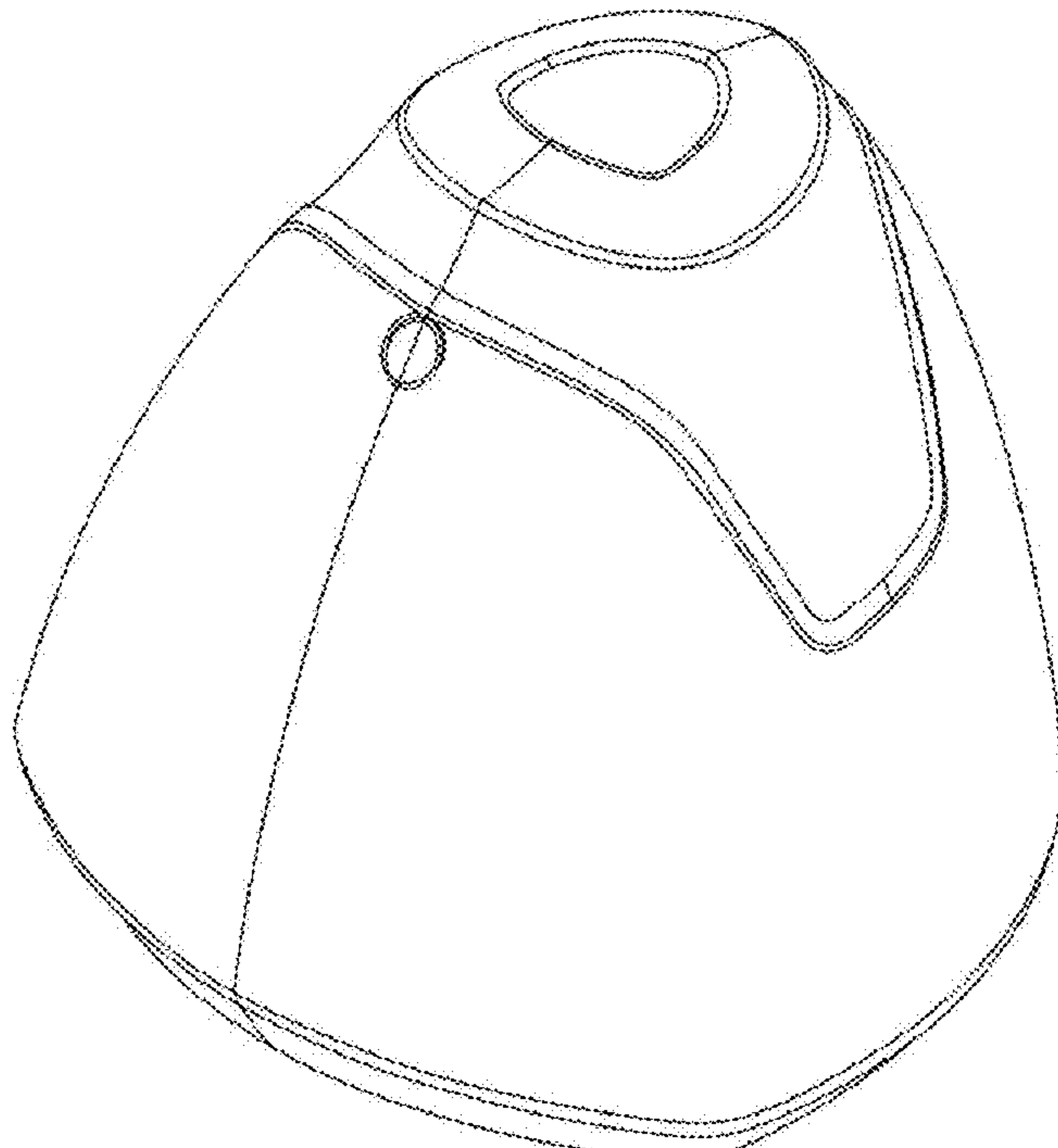
FIG. 6 is a top plan view thereof.

FIG. 7 is a bottom plan view thereof; and,

FIG. 8 is a bottom perspective view thereof.

In FIG. 6, the broken lines show portions of the sample reader that form no part of the claimed design.

**1 Claim, 5 Drawing Sheets**



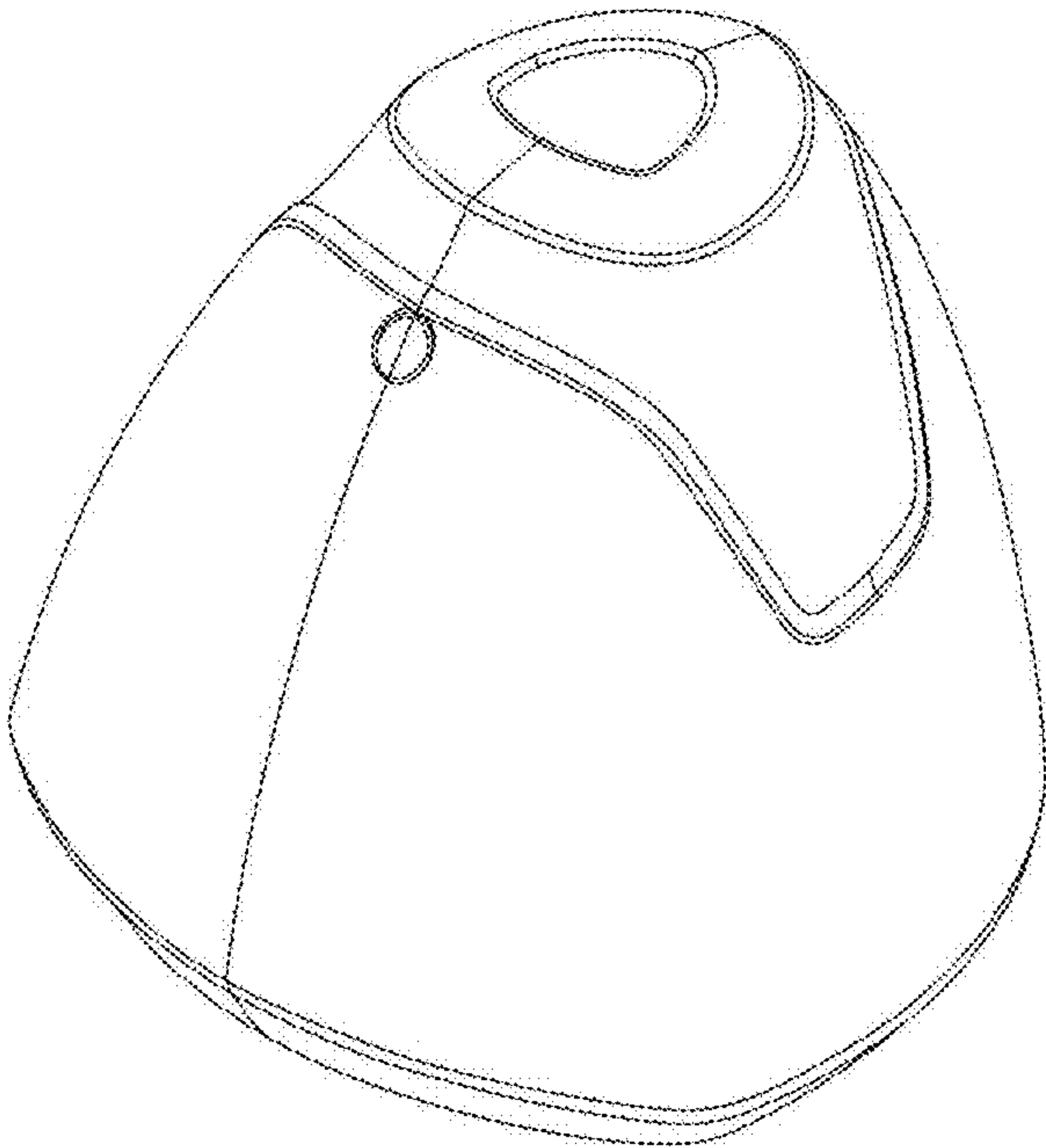


FIG.1

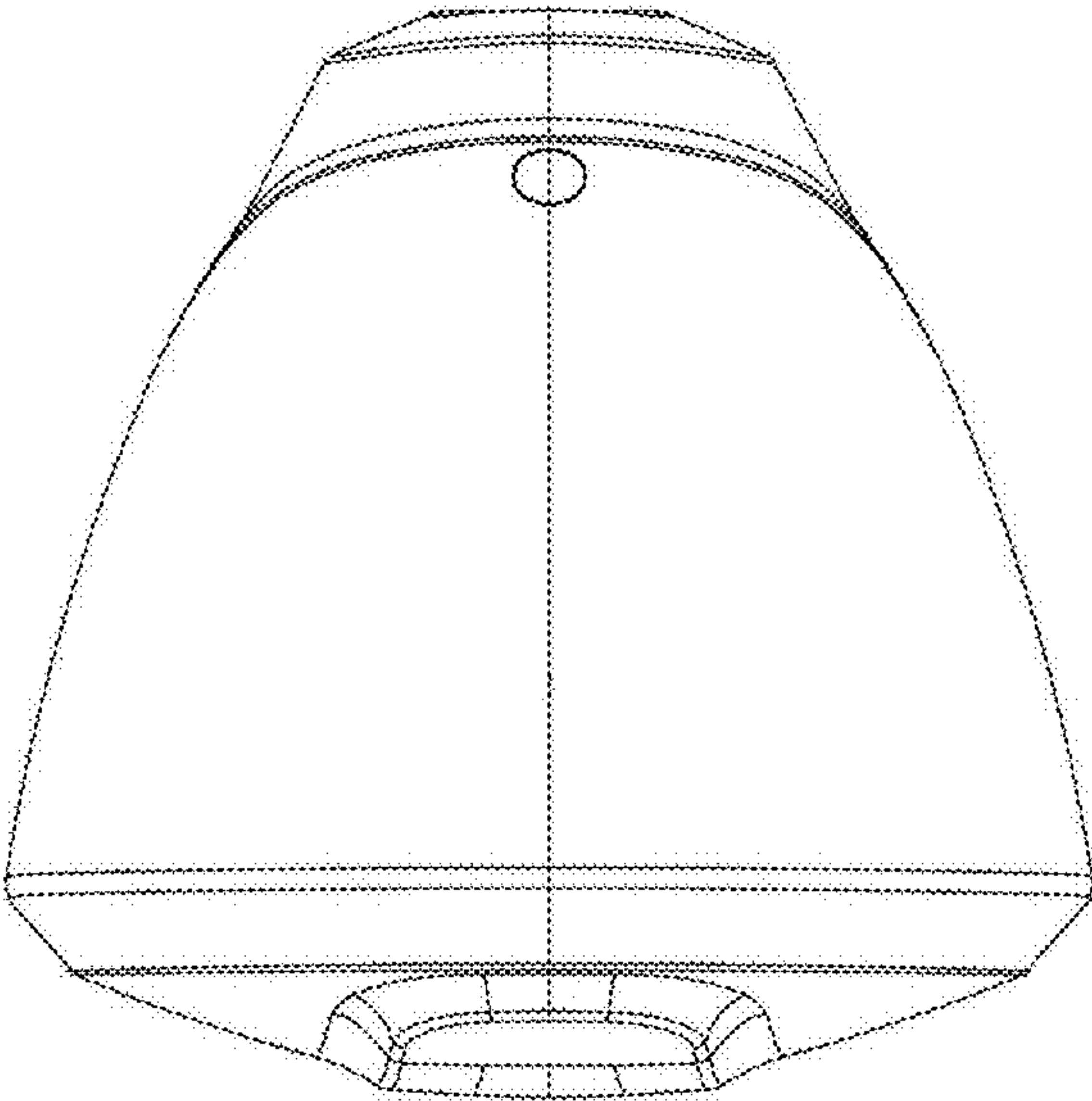


FIG. 2

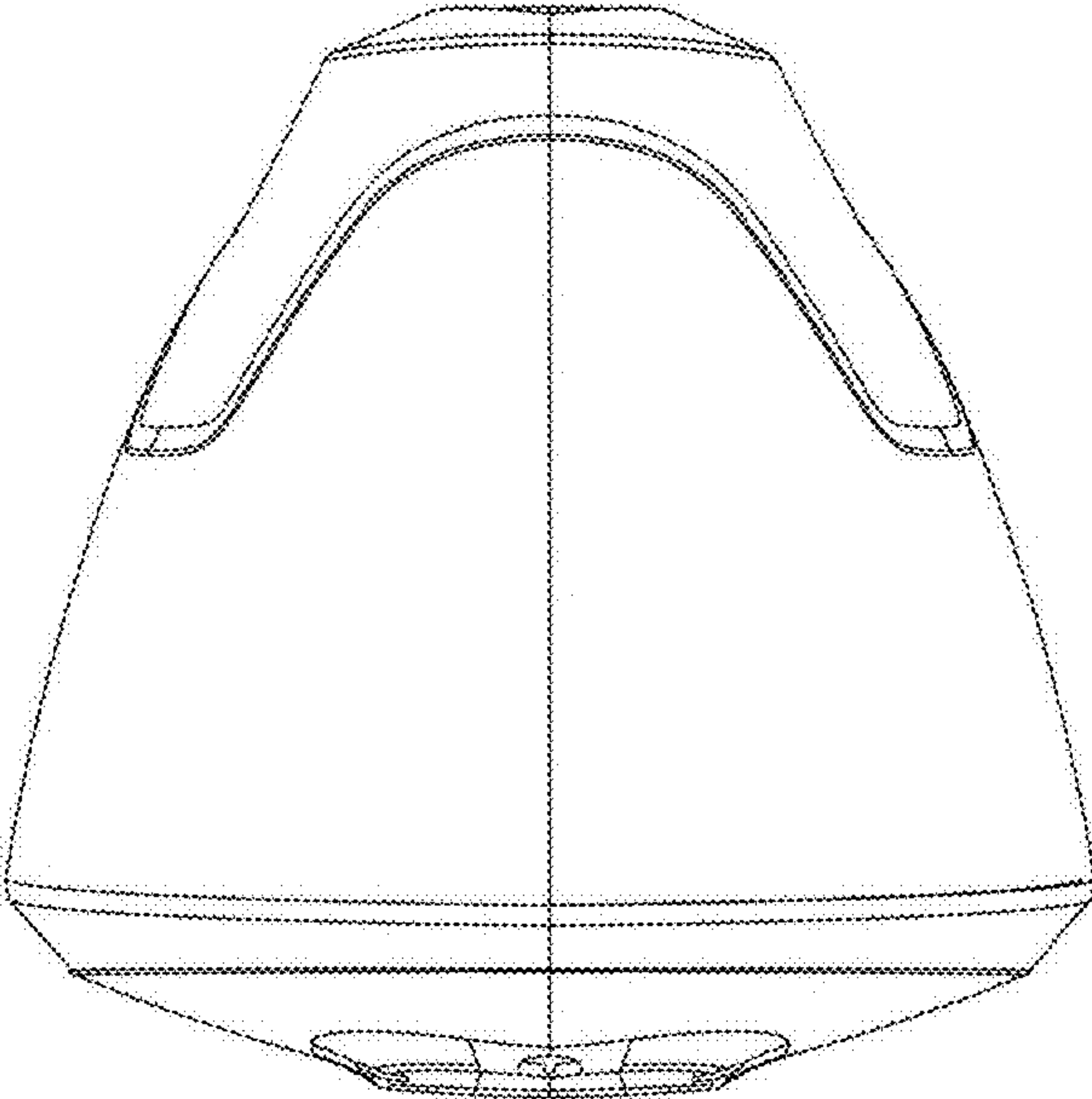


FIG. 3

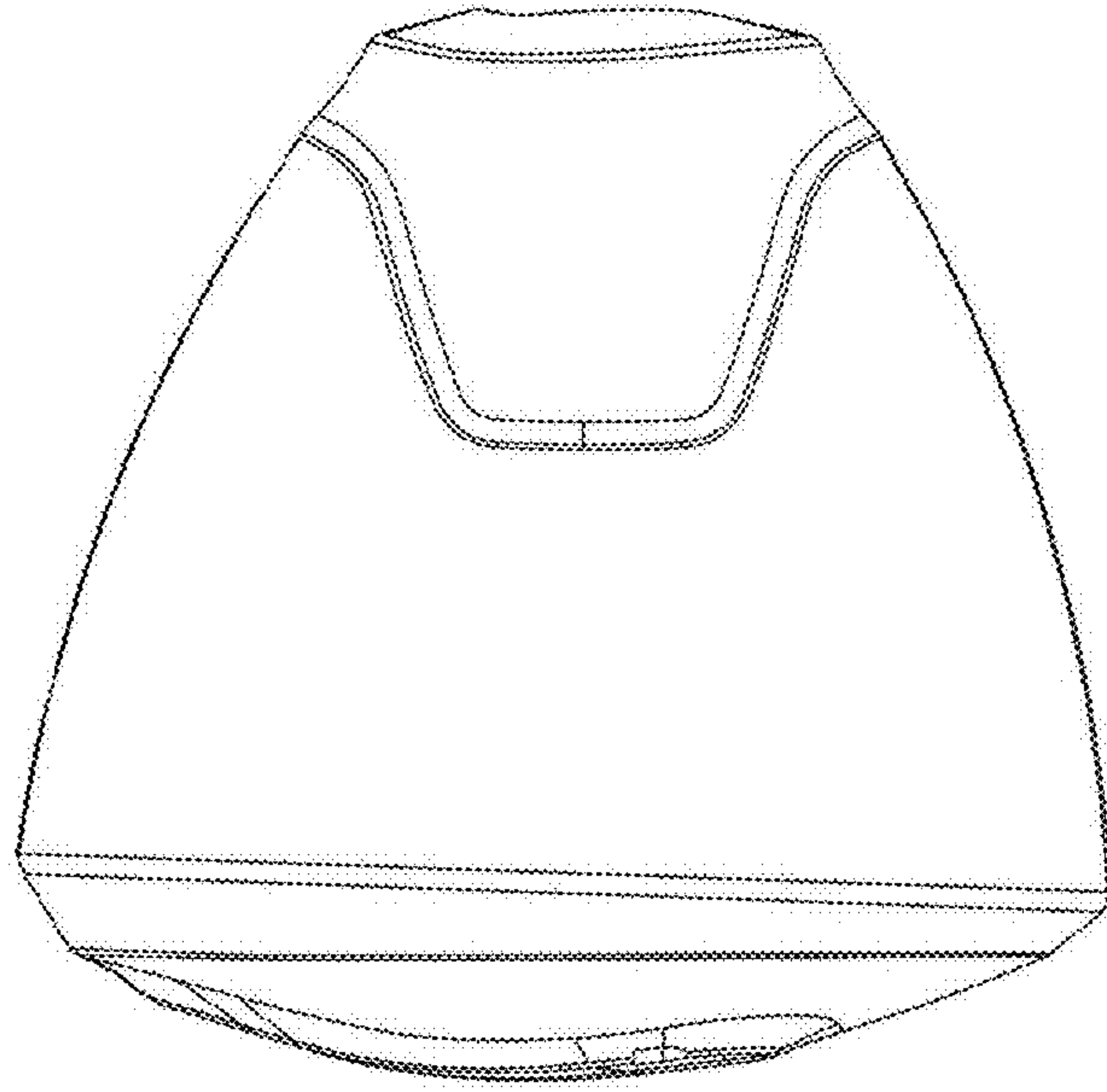


FIG. 4

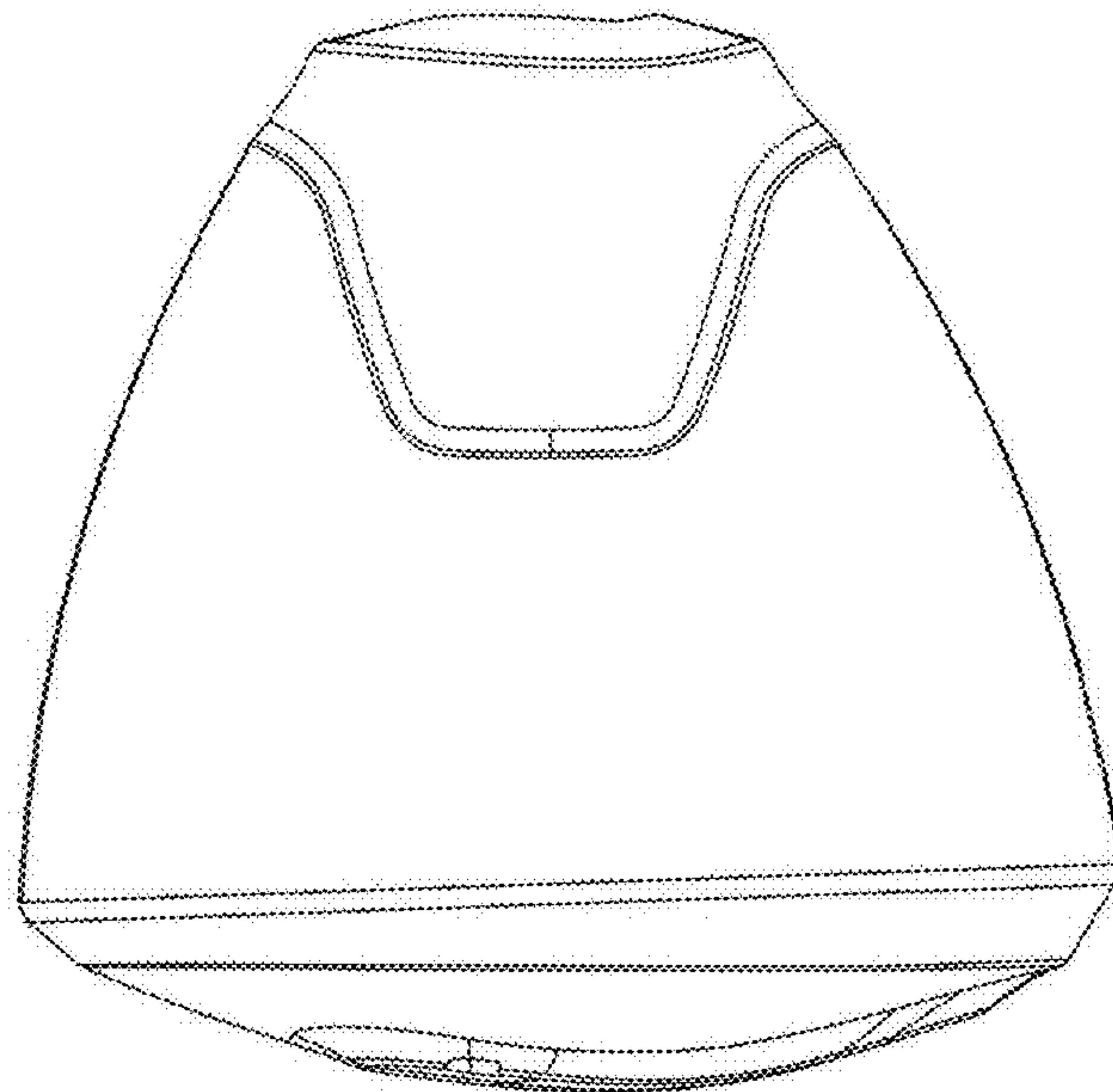


FIG. 5

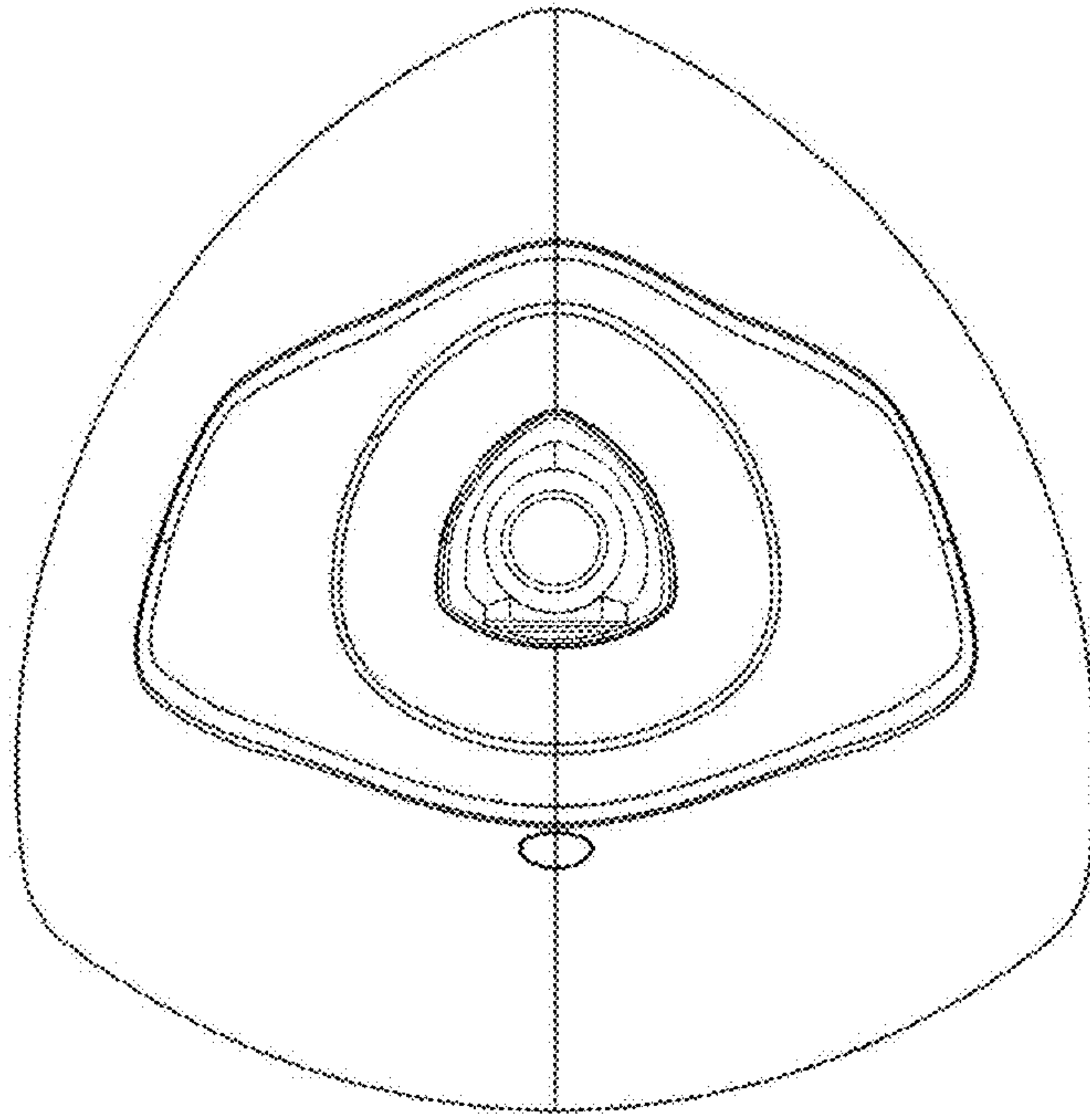


FIG.6

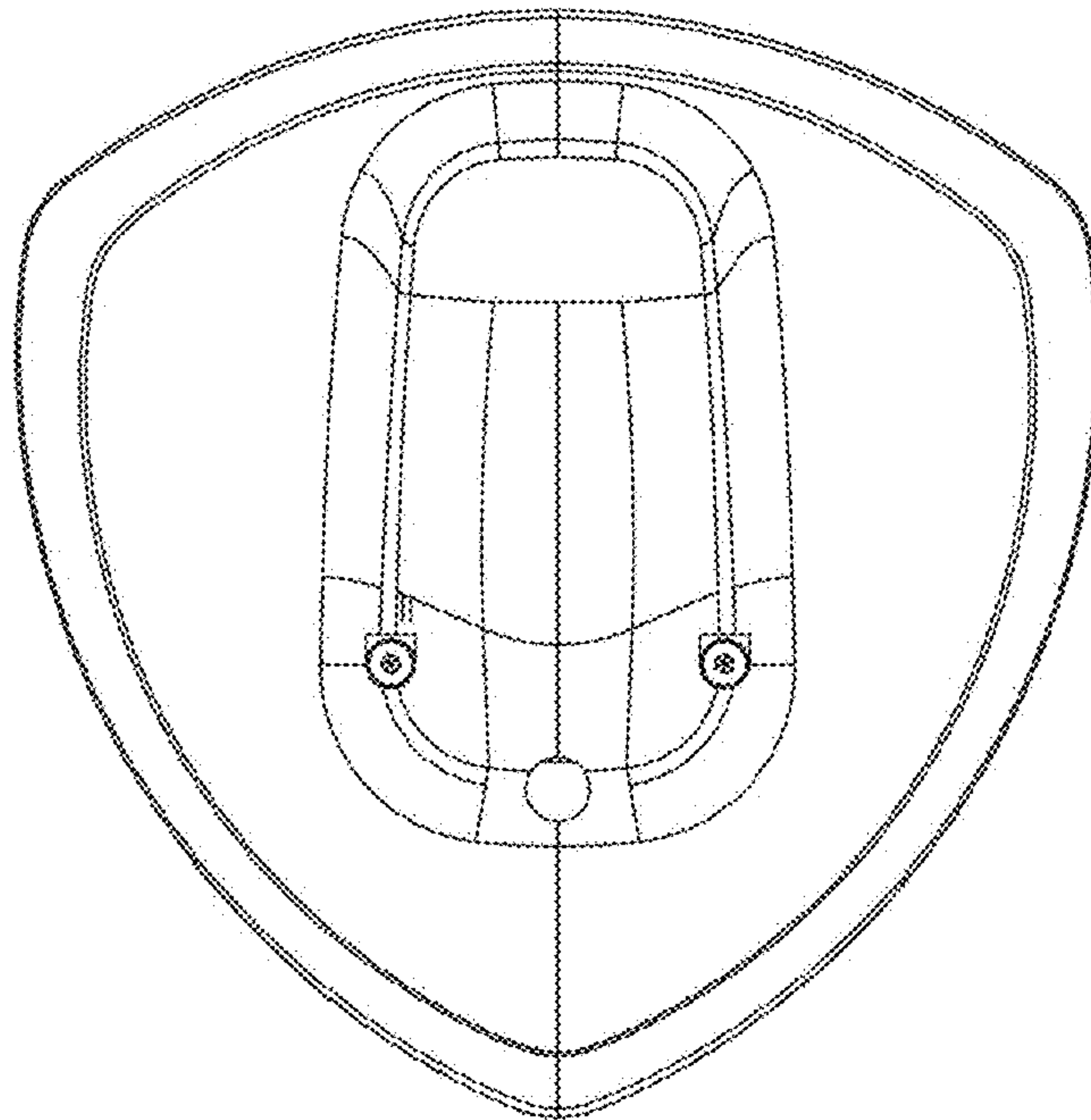


FIG.7



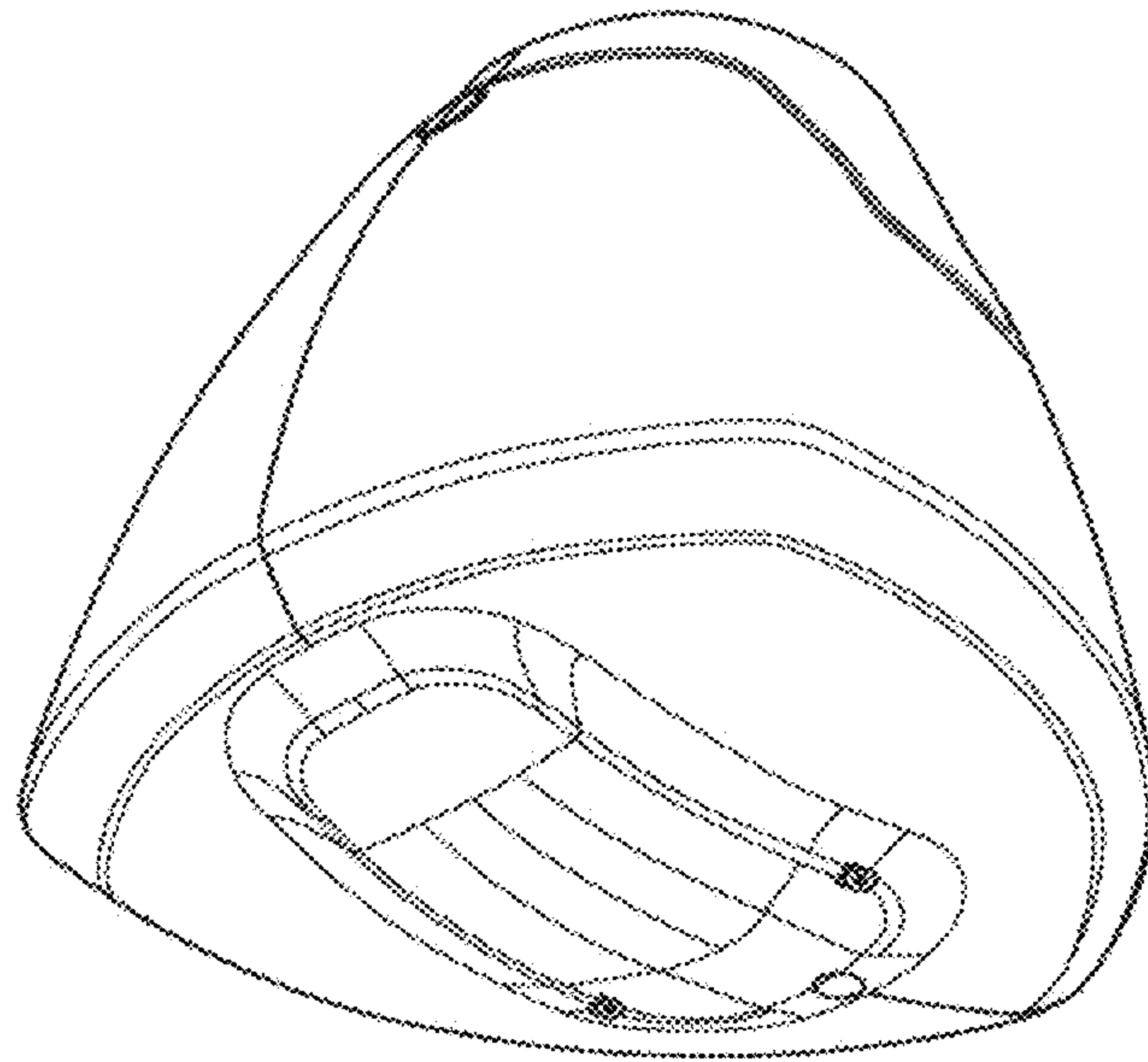


FIG. 8