



US00D874013S

(12) **United States Design Patent** (10) **Patent No.:** **US D874,013 S**  
**Wagenknecht et al.** (45) **Date of Patent:** **\*\* Jan. 28, 2020**

- (54) **CAP FOR A BABY BOTTLE**
- (71) Applicant: **MAPA GmbH**, Zeven (DE)
- (72) Inventors: **Uwe Wagenknecht**, Tostedt (DE);  
**Bodo Warden**, Viersen (DE);  
**Sarah-Dimple Dass**, Hamburg (DE)
- (73) Assignee: **MAPA GmbH**, Zeven (DE)
- (\*\*) Term: **15 Years**
- (21) Appl. No.: **29/680,454**
- (22) Filed: **Feb. 15, 2019**

- 2007/0068890 A1\* 3/2007 Rohrig ..... A61J 9/04  
215/11.1
- 2013/0200031 A1\* 8/2013 Rees ..... A61J 11/006  
215/11.4
- 2015/0290086 A1\* 10/2015 Prentice ..... A61J 9/04  
215/11.5
- 2015/0290087 A1\* 10/2015 Kirkland ..... A61J 11/02  
215/11.5
- 2016/0089306 A1\* 3/2016 Chee ..... A61J 9/00  
215/11.1
- 2016/0120761 A1\* 5/2016 Wood ..... B65D 81/3266  
215/11.6
- 2017/0112720 A1\* 4/2017 Wagenknecht ..... A61J 11/006

OTHER PUBLICATIONS

“NUK Nature Sense Baby Bottle”. Found online May 3, 2019 at amazon.co.uk. Page dated Apr. 10, 2017. Retrieved from [https://www.amazon.co.uk/NUK-Nature-Bottle-Months-Silocone/dp/B06Y5YYX6W/ref=sr\\_1\\_fkmr1\\_1?keywords=nuk+simply+natural&qid=1556911834&s=gateway&sr=8-1-fkmr1.\\*](https://www.amazon.co.uk/NUK-Nature-Bottle-Months-Silocone/dp/B06Y5YYX6W/ref=sr_1_fkmr1_1?keywords=nuk+simply+natural&qid=1556911834&s=gateway&sr=8-1-fkmr1.*)

\* cited by examiner

*Primary Examiner* — Kendra Leslie Hamilton

**Related U.S. Application Data**

- (62) Division of application No. 29/561,181, filed on Apr. 14, 2016, now Pat. No. Des. 841,174.

**Foreign Application Priority Data**

- Oct. 16, 2015 (EM) ..... 002825554

- (51) **LOC (12) Cl.** ..... **07-01**

- (52) **U.S. Cl.**  
USPC ..... **D24/197**

- (58) **Field of Classification Search**  
USPC ..... D24/193, 194, 195, 196, 197, 198, 199,  
D24/207; D7/392, 510, 511, 517, 539,  
D7/619.2; D9/516, 530, 719, 761  
CPC ..... A61J 9/00; A61J 9/0623  
See application file for complete search history.

**References Cited**

U.S. PATENT DOCUMENTS

- D478,669 S \* 8/2003 Wear ..... D24/197
- D595,417 S \* 6/2009 Driver ..... D24/197
- D666,731 S \* 9/2012 Mustecaplioglu ..... D24/197
- D674,498 S \* 1/2013 Lhomme ..... D24/197
- D696,410 S \* 12/2013 Tollman ..... D24/197
- D794,392 S \* 8/2017 Rashid ..... D7/507

**CLAIM**

The ornamental design for a cap for a baby bottle, as shown and described.

**DESCRIPTION**

FIG. 1 is a perspective view of cap for a baby bottle, showing our new design;  
 FIG. 2 is a left view thereof;  
 FIG. 3 is a right view thereof;  
 FIG. 4 is a front view thereof;  
 FIG. 5 is a back view thereof;  
 FIG. 6 is a top view thereof; and,  
 FIG. 7 is a bottom view thereof.  
 The broken lines in the drawings depict portions of the cap for a baby bottle that form no part of the claimed design.

**1 Claim, 4 Drawing Sheets**

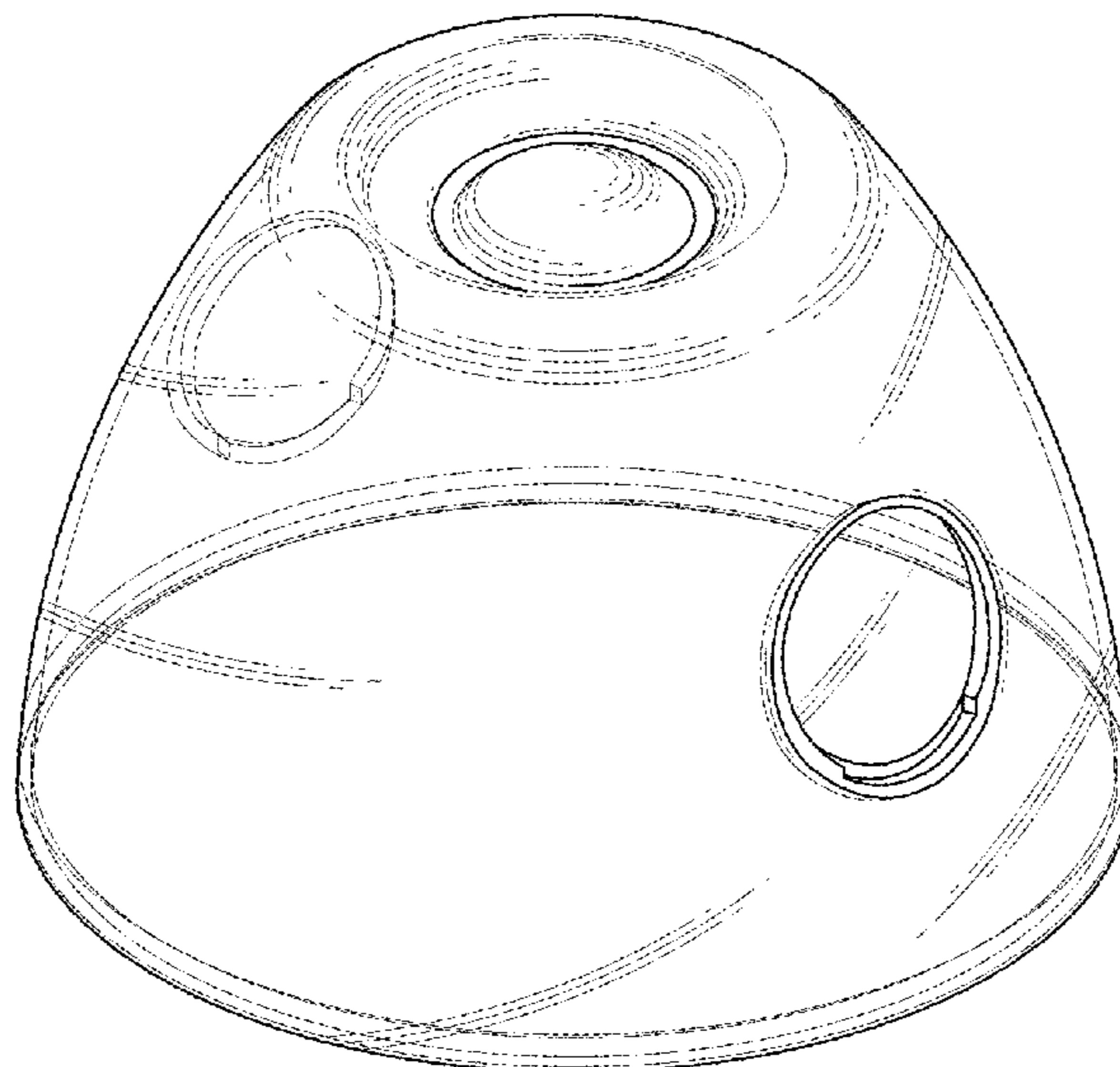


FIG. 1

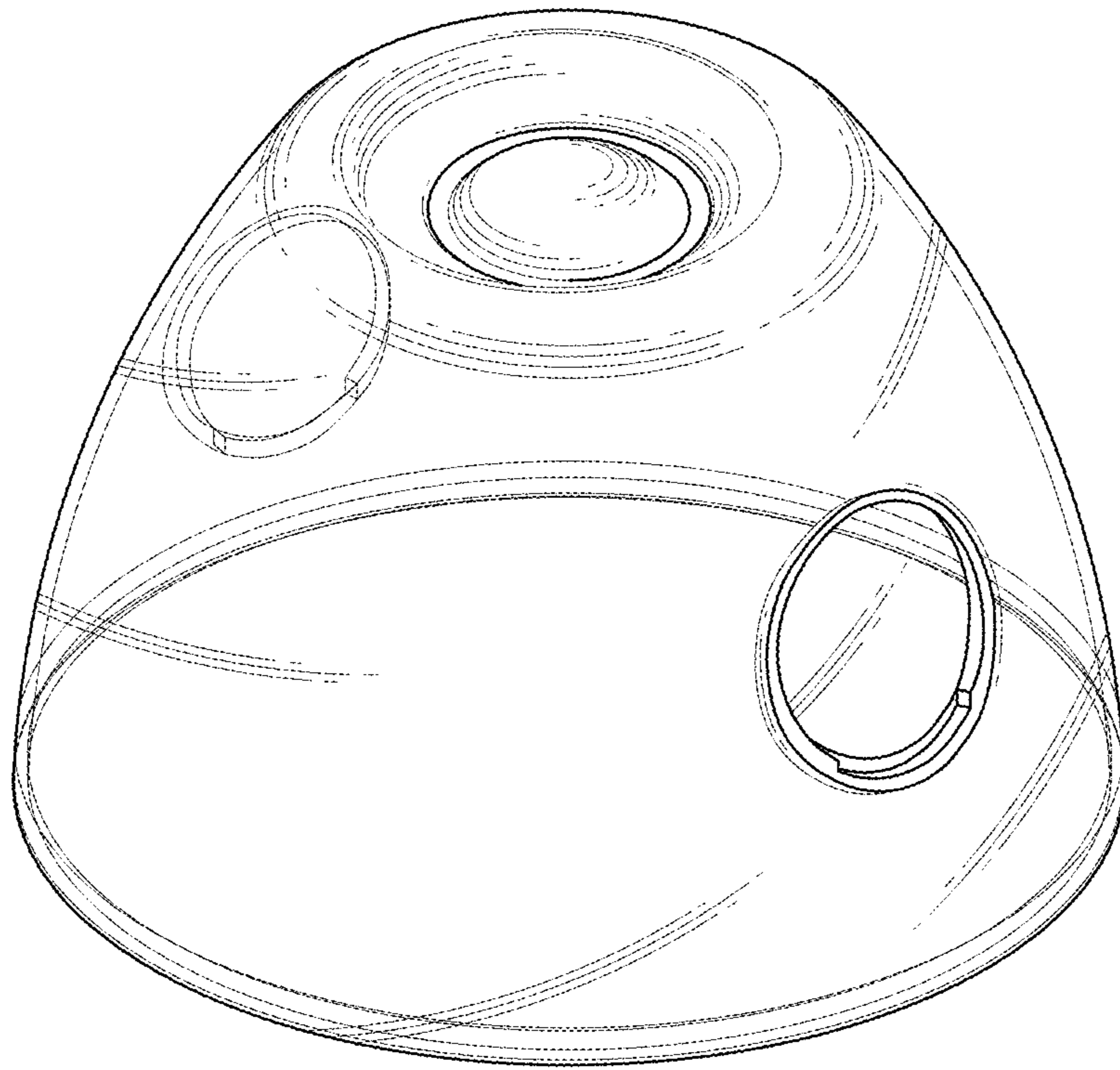


FIG. 2

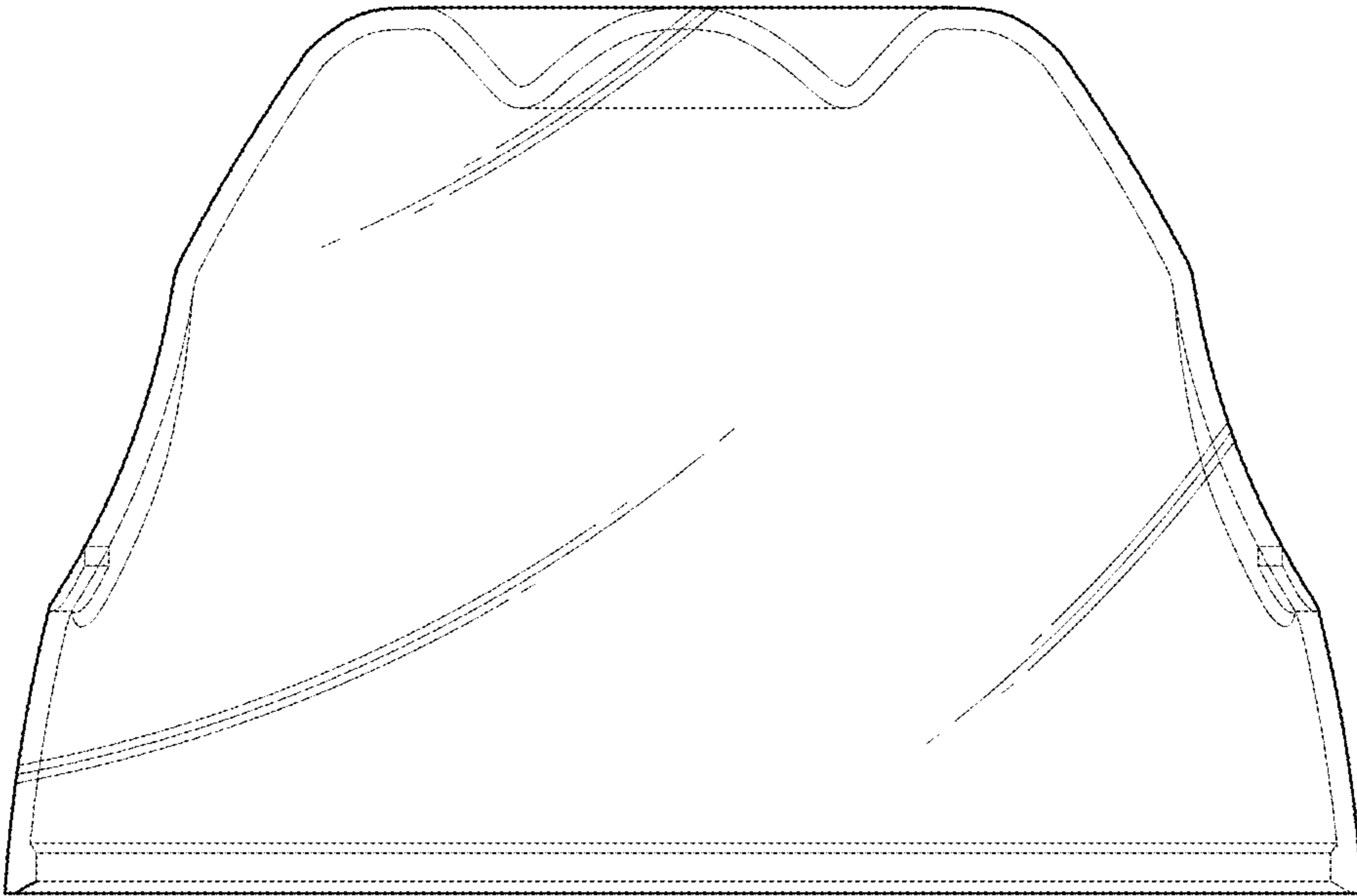


FIG. 3

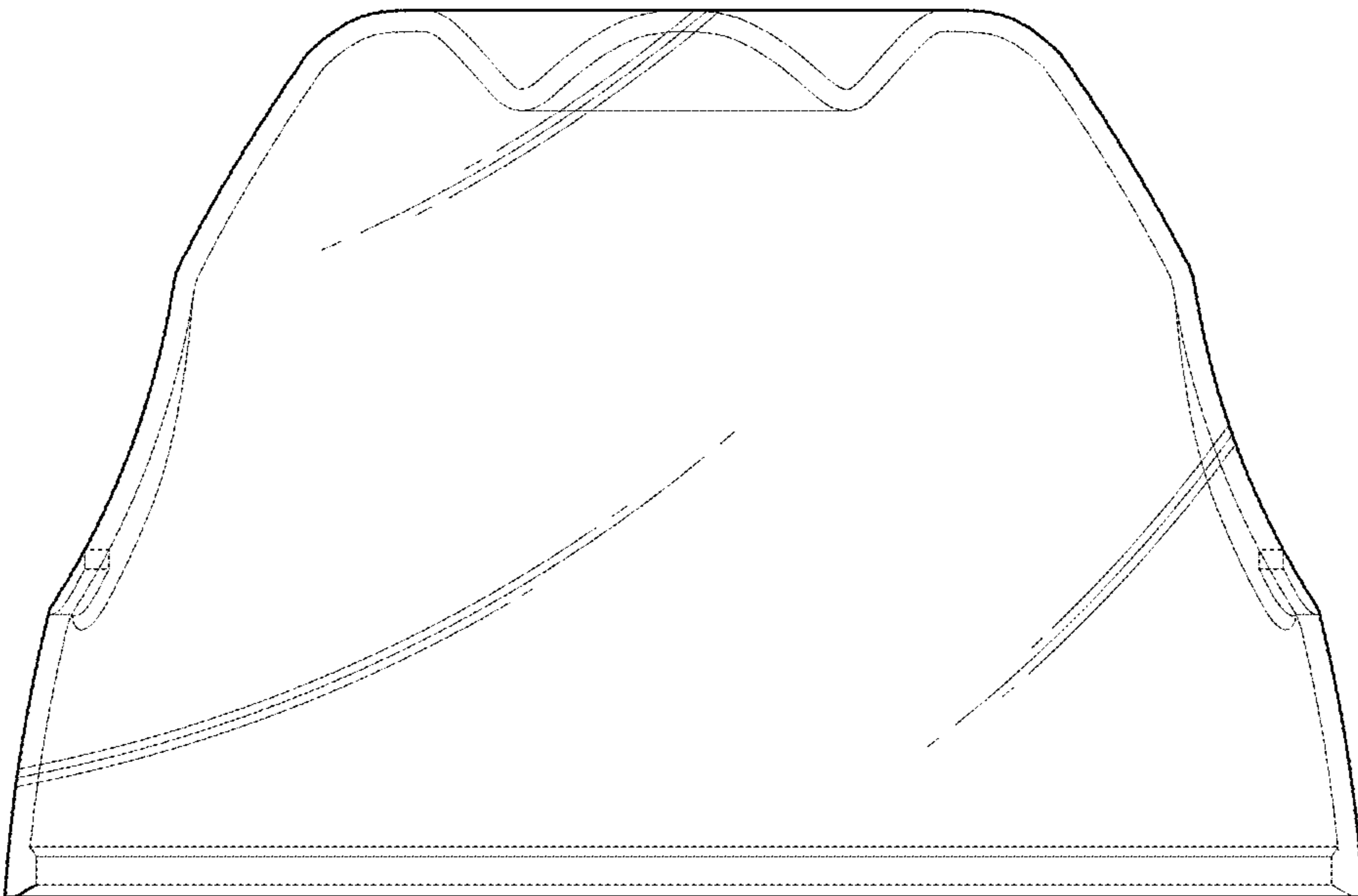


FIG. 4

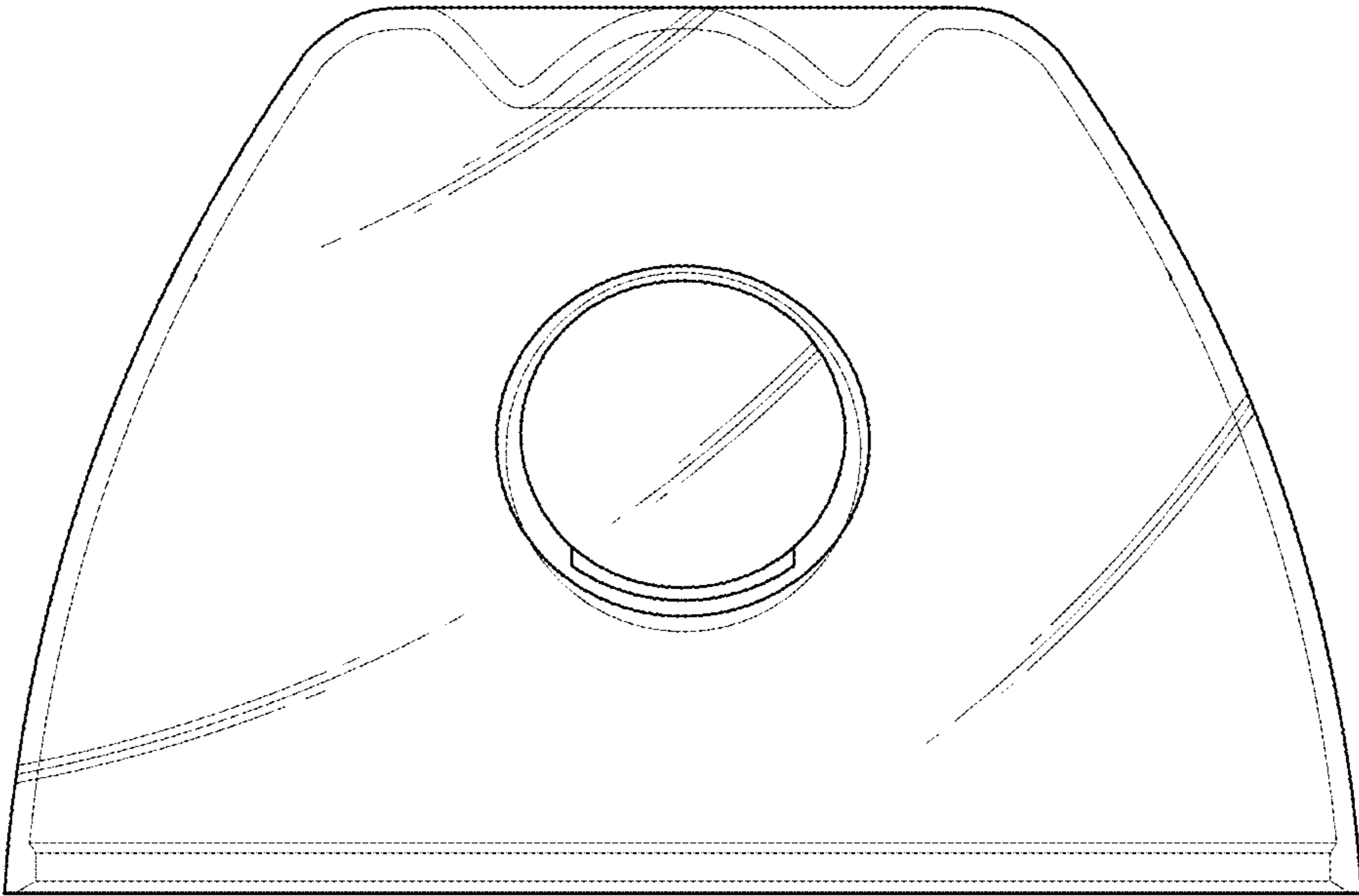


FIG. 5

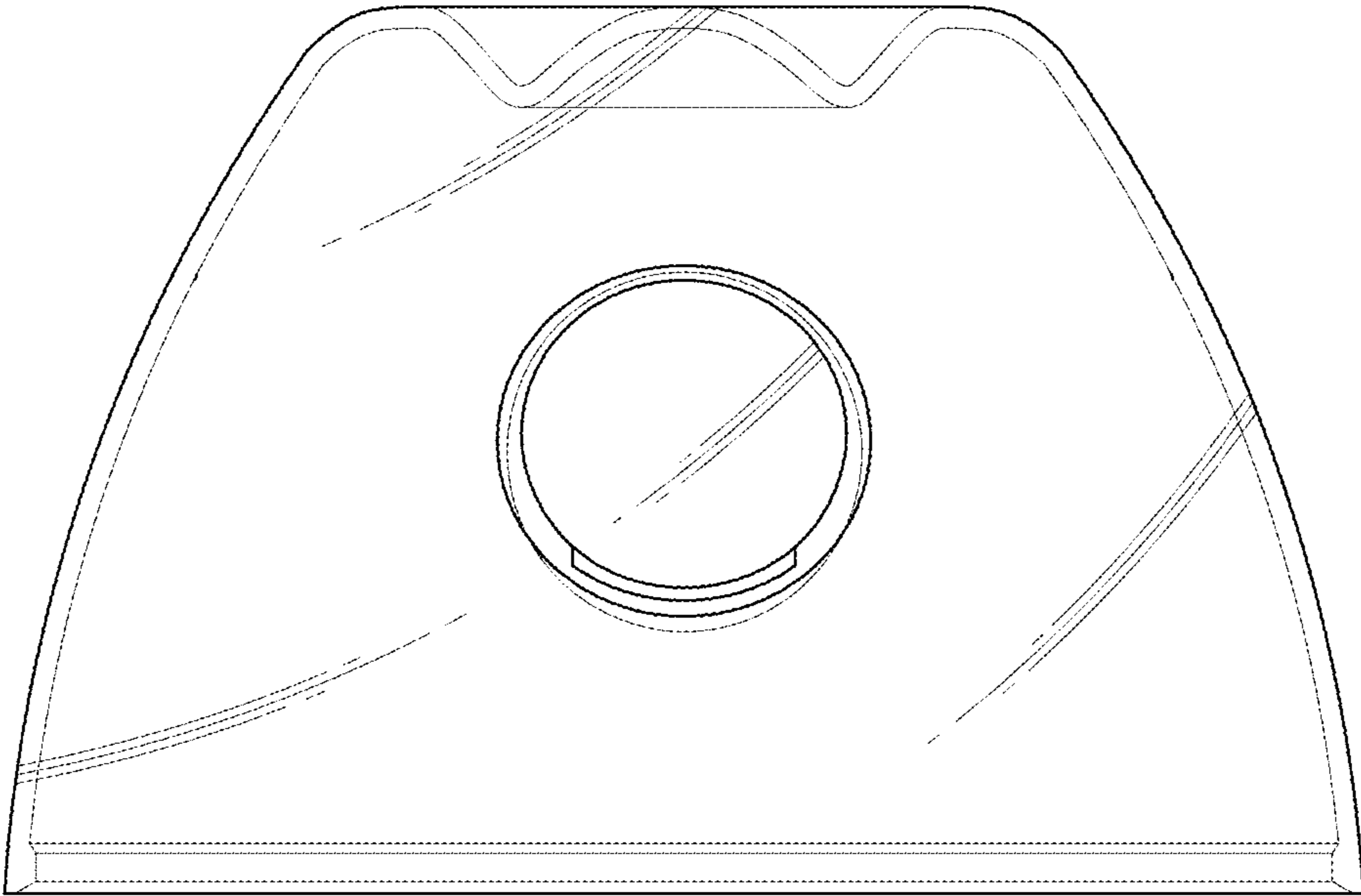




FIG. 6

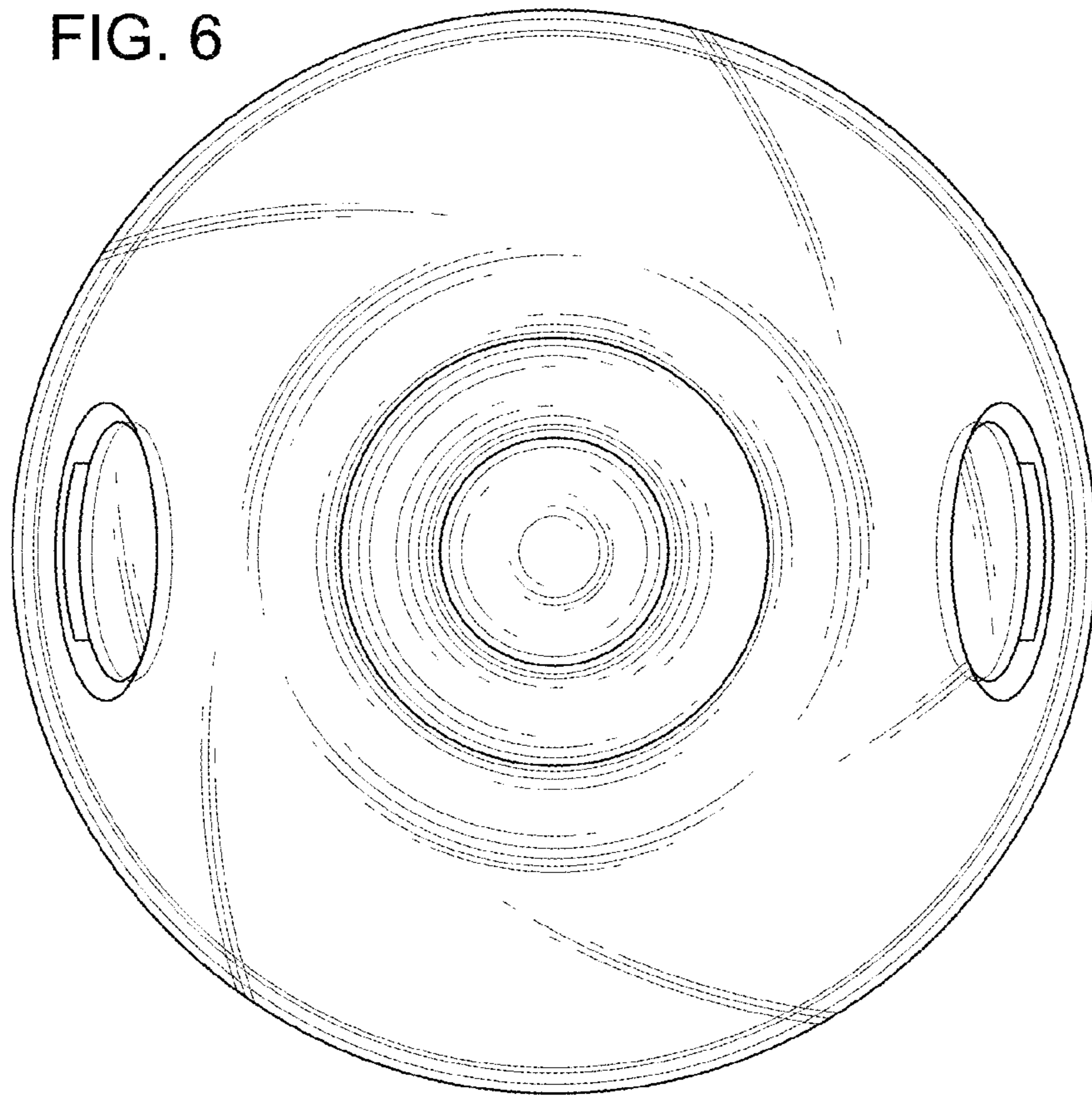


FIG. 7

