



US00D874008S

(12) **United States Design Patent**
Kotzer et al.

(10) **Patent No.:** **US D874,008 S**
(45) **Date of Patent:** **** Jan. 28, 2020**

(54) **HEARING ASSISTANCE DEVICE**
(71) Applicant: **NUANCE HEARING LTD.**, Tel Aviv (IL)

D819,607 S * 6/2018 Chui D14/225
D834,567 S * 11/2018 Snyder D14/228
D847,373 S * 4/2019 Hurwit D24/231

(72) Inventors: **Omer Kotzer**, Tel Aviv (IL); **Oran Bertelsen**, Ramat Gan (IL); **Igor Gitelstain**, Rehovot (IL)

OTHER PUBLICATIONS

Phonak, Roger Select™—Quick setup guide, pp. 1-10, Nov. 15, 2017.
Phonak, “Roger™ wireless microphone solutions”, pp. 1-2, Nov. 28, 2017.
Phonak, “Roger™ in challenging listening situations”, pp. 1-13, Sep. 19, 2018.
Phonak, “Roger Select™ User Guide”, pp. 1-64, Sep. 19, 2018.

(73) Assignee: **Nuance Hearing Ltd.**, Tel Aviv (IL)

(**) Term: **15 Years**

* cited by examiner

(21) Appl. No.: **29/679,203**

Primary Examiner — Anhdao Doan
(74) *Attorney, Agent, or Firm* — Kligler & Associates
Patent Attorneys Ltd

(22) Filed: **Feb. 4, 2019**

(51) **LOC (12) Cl.** **24-99**

(52) **U.S. Cl.**

USPC **D24/173**; D14/225

(58) **Field of Classification Search**

USPC D24/106, 151, 173–175, 186, 200, 231;
D14/205, 223, 224, 225, 226, 249, 206,
D14/216, 228

CPC .. H04R 2225/025; H04R 25/60; H04R 25/63;
H04R 25/67; H04R 25/602; H04R
25/604; H04R 25/608; H04R 25/65;
H04R 25/652; H04R 1/105; H04R 1/75

See application file for complete search history.

(57) **CLAIM**

The ornamental design for a hearing assistance device, as shown and described.

DESCRIPTION

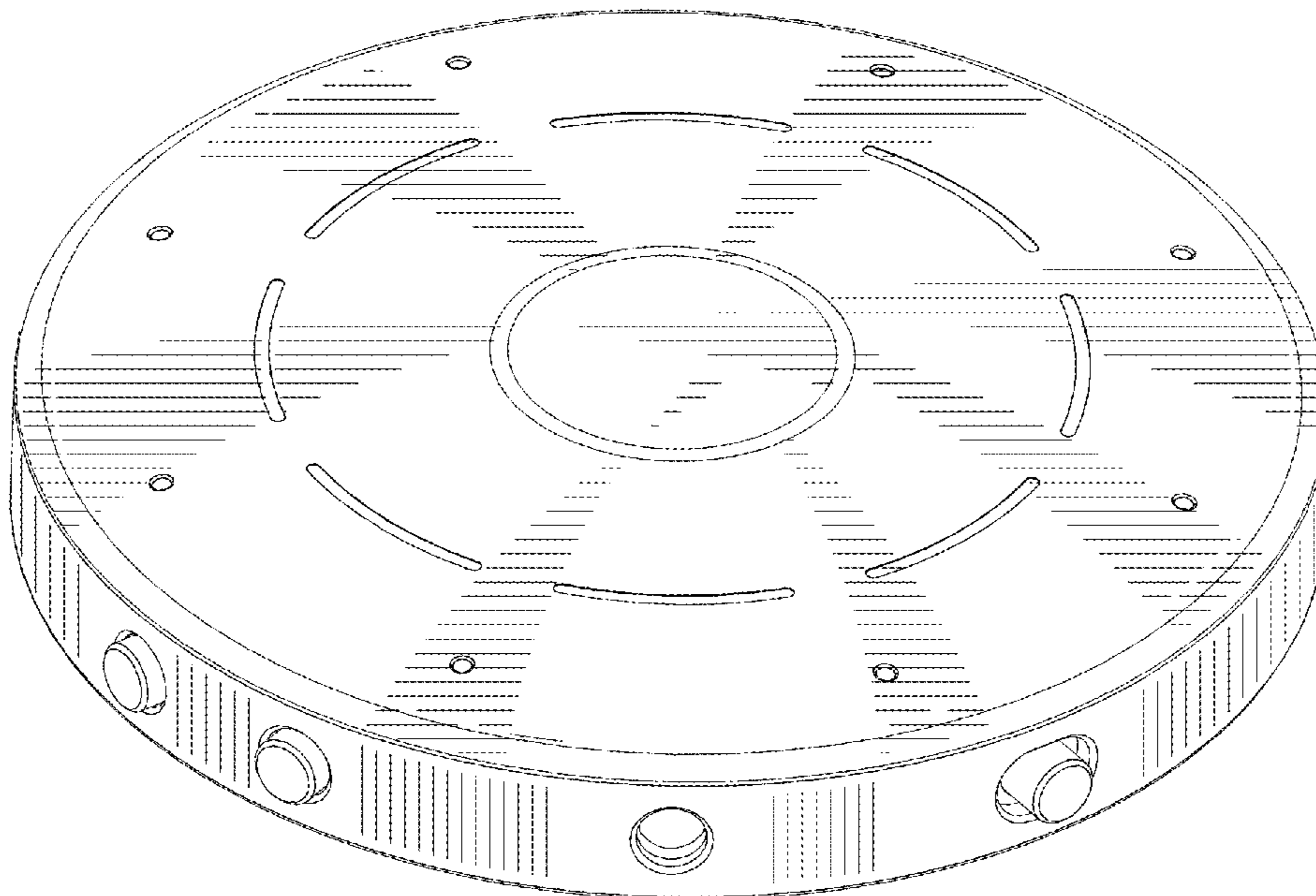
FIG. 1 is a top, front perspective view of a hearing assistance device, showing our new design;
FIG. 2 is a bottom, front perspective view thereof;
FIG. 3 is a bottom, rear perspective view thereof;
FIG. 4 is a top plan view thereof.
FIG. 5 is a bottom plan view thereof;
FIG. 6 is a front elevation view thereof;
FIG. 7 is a rear elevation view thereof;
FIG. 8 is a right elevation view thereof; and,
FIG. 9 is a left elevation view thereof.
The broken lines show a portion of the hearing assistance device that forms no part of the claimed design.

(56) **References Cited**

U.S. PATENT DOCUMENTS

D105,261 S * 7/1937 Breen D24/174
D722,166 S * 2/2015 Buehl D24/174
D734,473 S * 7/2015 Brandis D24/174
D740,793 S * 10/2015 Jobetto D14/225
D743,383 S * 11/2015 Hinokio D14/225
D760,392 S * 6/2016 Jurkiewicz D24/174
D772,197 S * 11/2016 Hejazi D14/205

1 Claim, 7 Drawing Sheets



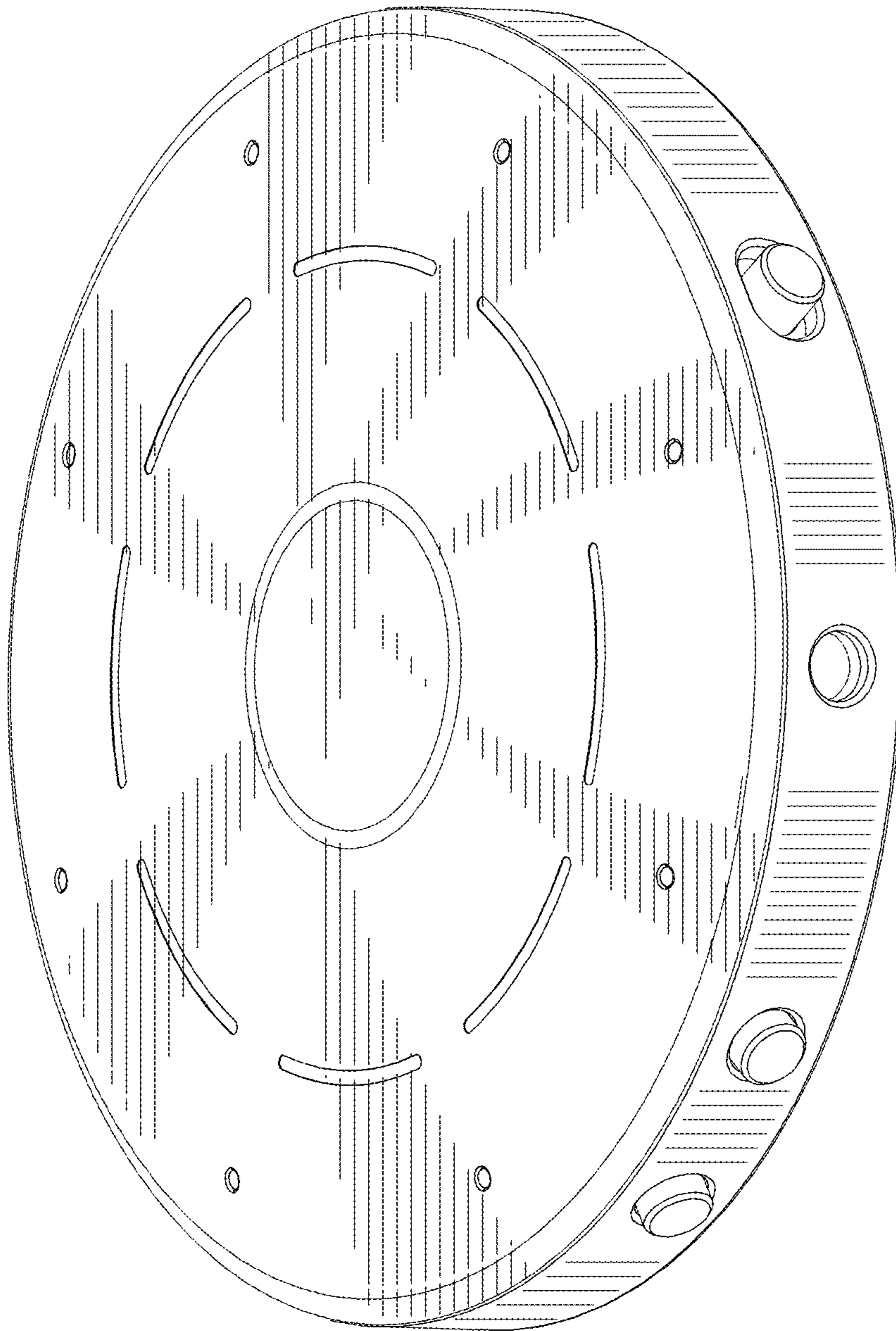


FIG. 1

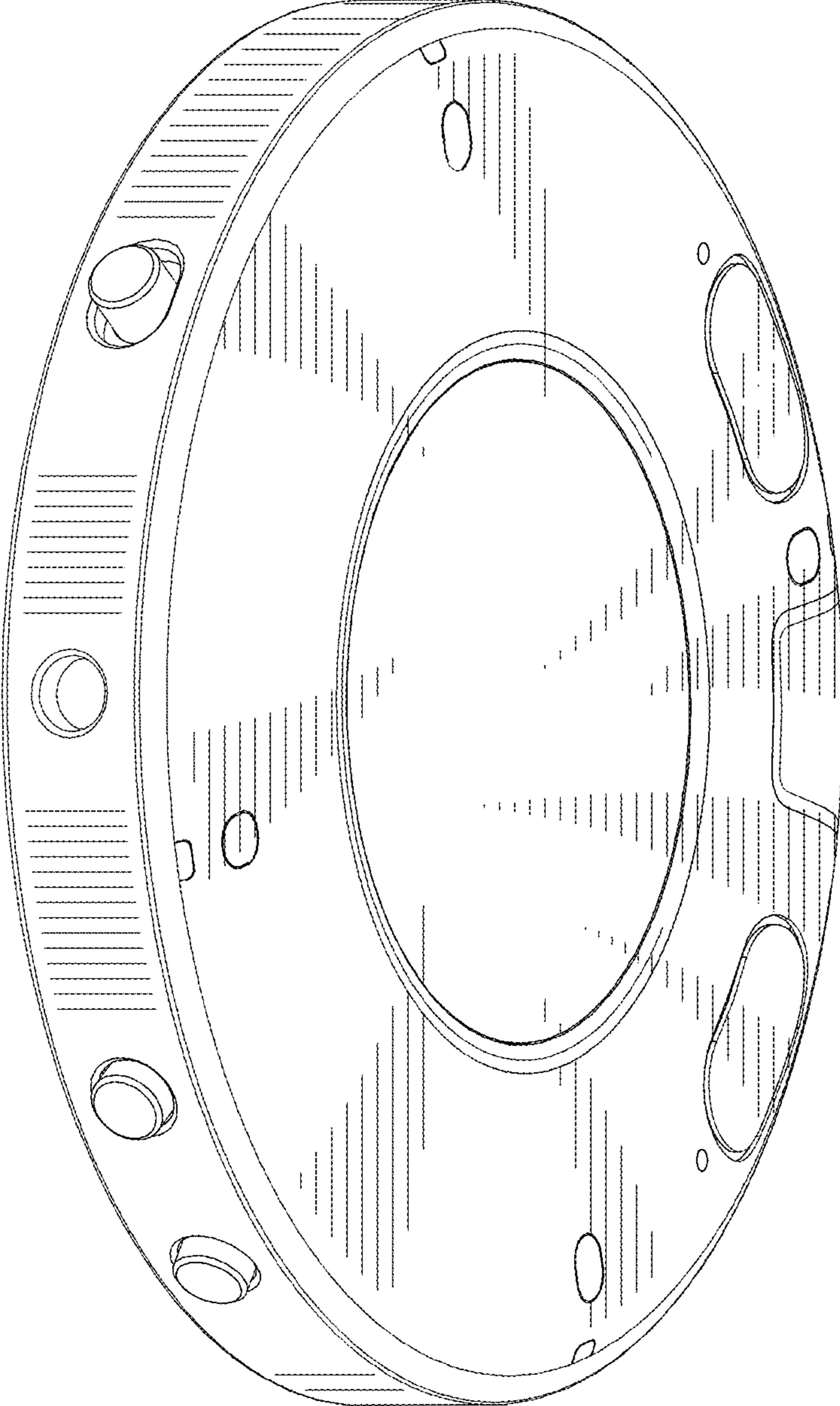


FIG. 2

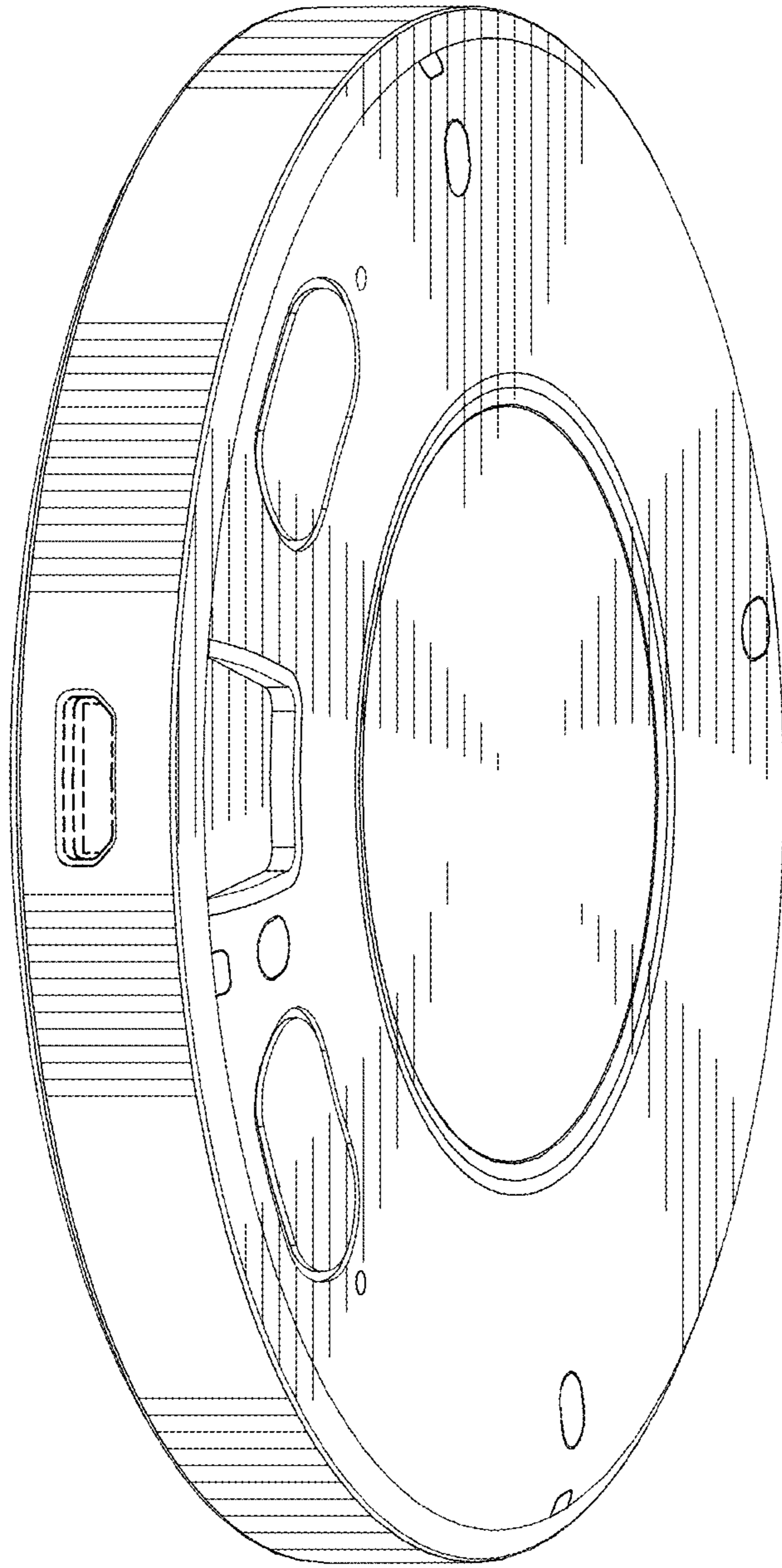


FIG. 3

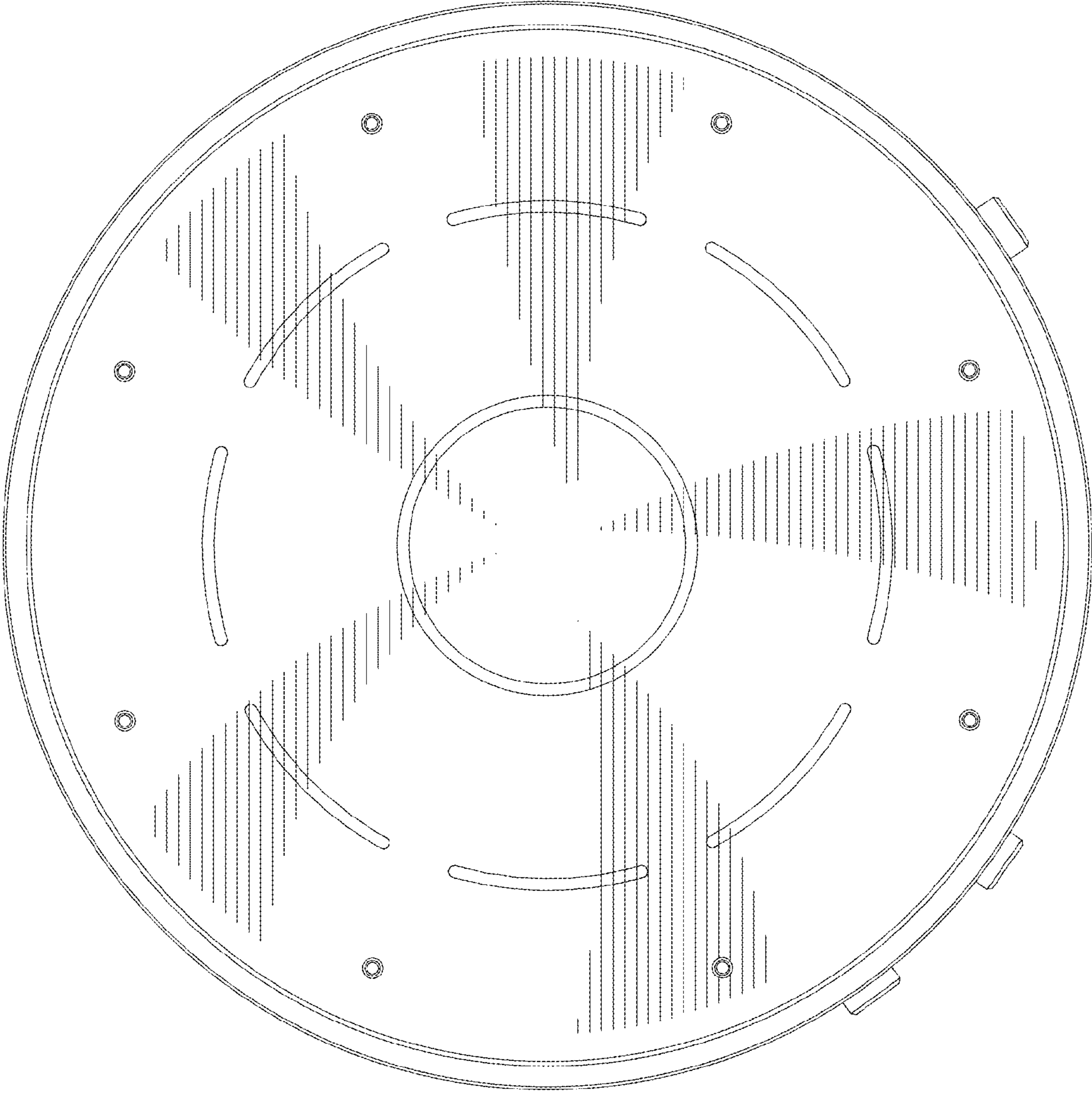


FIG. 4

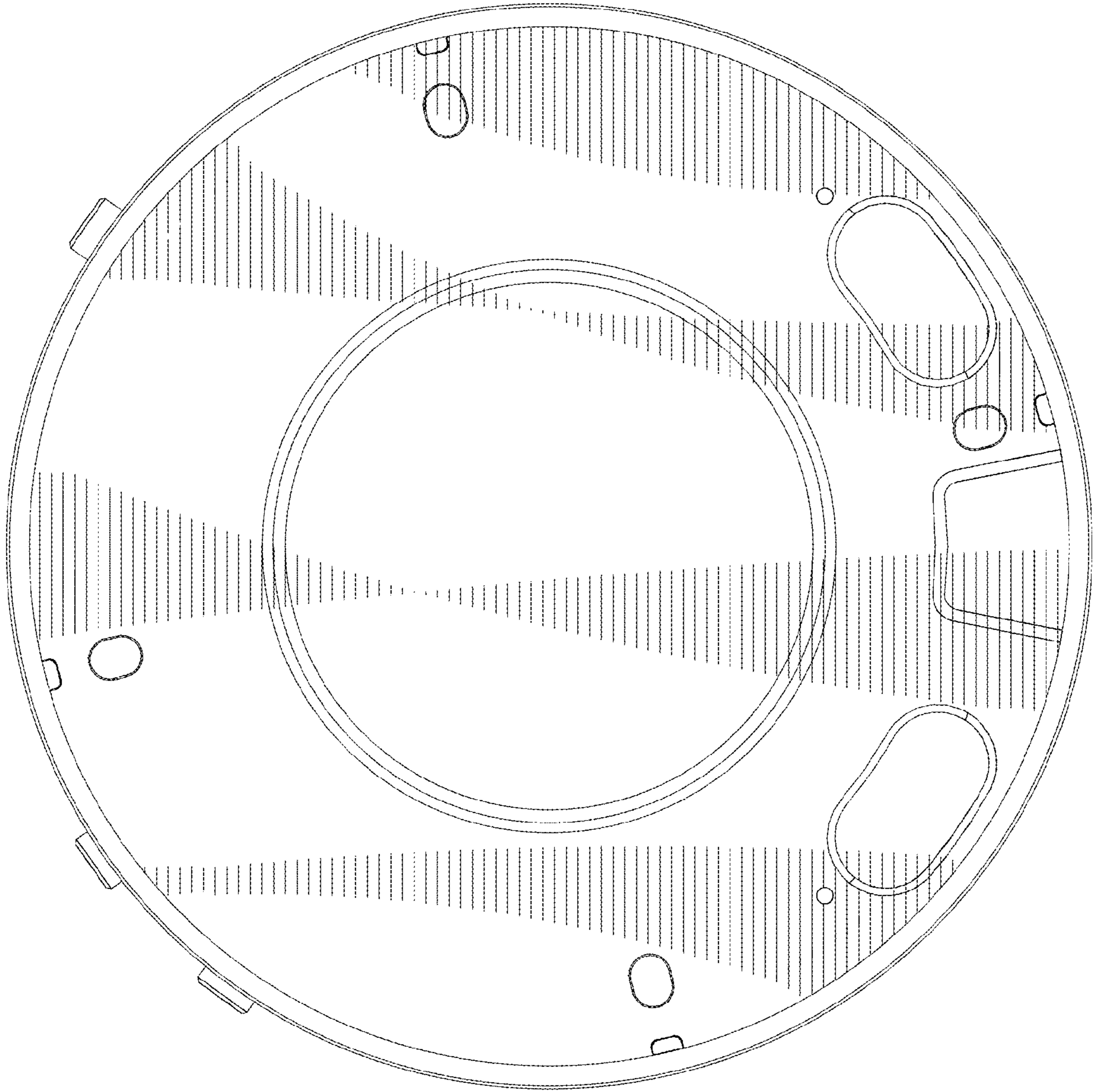


FIG. 5

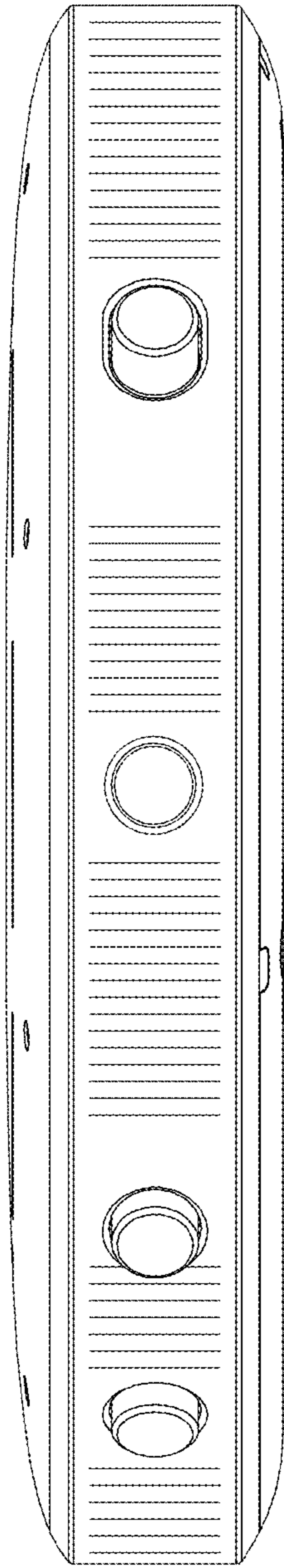


FIG. 6

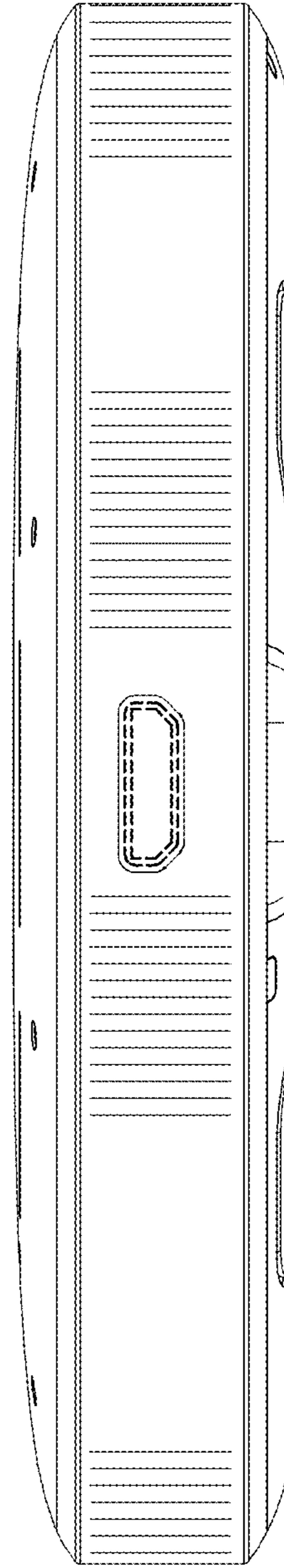


FIG. 7

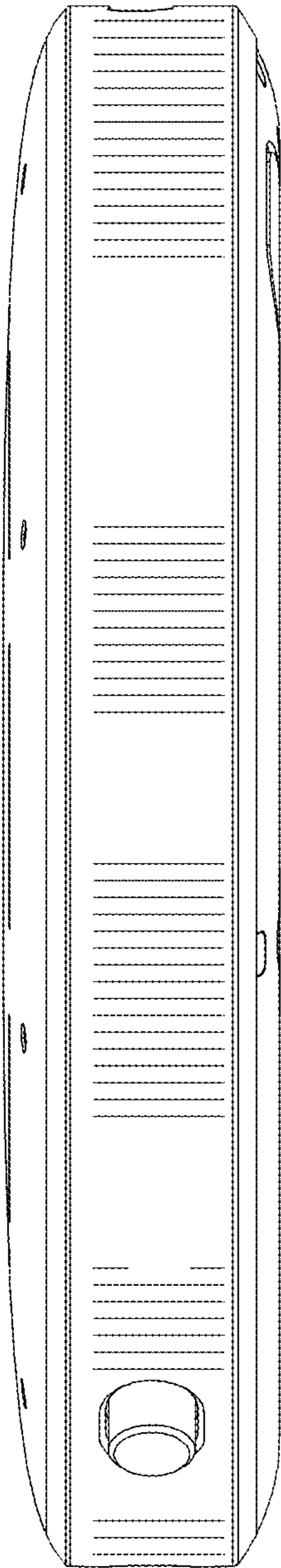


FIG. 8

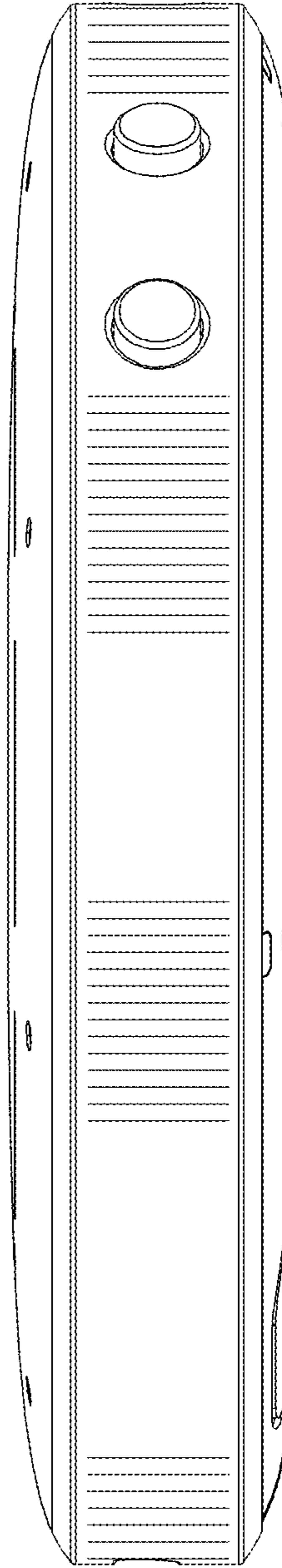


FIG. 9