



US00D874005S

(12) **United States Design Patent**  
**Zhang et al.**

(10) **Patent No.:** **US D874,005 S**  
(45) **Date of Patent:** **\*\* Jan. 28, 2020**

(54) **IMAGING APPARATUS**

- (71) Applicant: **General Electric Company**, Schenectady, NY (US)
- (72) Inventors: **Wei Zhang**, Beijing (CN); **Jun Hou**, Shanghai (CN); **Duncan Lovel Trevor-Wilson**, Shanghai (CN); **Aurelie Boudier**, Bois d’Arey (FR)
- (73) Assignee: **General Electric Company**, Schenectady, NY (US)

(\*\*) Term: **15 Years**

(21) Appl. No.: **29/627,199**

(22) Filed: **Nov. 22, 2017**

(51) **LOC (12) Cl.** ..... **24-01**

(52) **U.S. Cl.**  
USPC ..... **D24/158**

(58) **Field of Classification Search**  
 USPC ..... D24/158–161, 185, 186, 107  
 CPC ..... A61B 6/06; A61B 6/4405; A61B 6/4411;  
 A61B 6/032; A61B 5/055; G01N  
 2223/1016; G01N 2223/301; G01N  
 2223/031; G01N 2223/419; G01N  
 23/046; G01R 33/48  
 See application file for complete search history.

(56) **References Cited**

**U.S. PATENT DOCUMENTS**

D432,655 S	*	10/2000	Benders	.....	D24/158
D639,950 S	*	6/2011	Ramos	.....	D24/158
D700,339 S	*	2/2014	Tan	.....	D24/158
D700,340 S	*	2/2014	Tan	.....	D24/158
D818,126 S	*	5/2018	Personnelli	.....	D24/158

**OTHER PUBLICATIONS**

Stalter, R. et al., “An Ornamental Design for an Imaging Apparatus,” U.S. Appl. No. 29/627,198, filed Nov. 22, 2017, 41 pages.

\* cited by examiner

*Primary Examiner* — Anhdao Doan  
(74) *Attorney, Agent, or Firm* — McCoy Russell LLP

(57) **CLAIM**

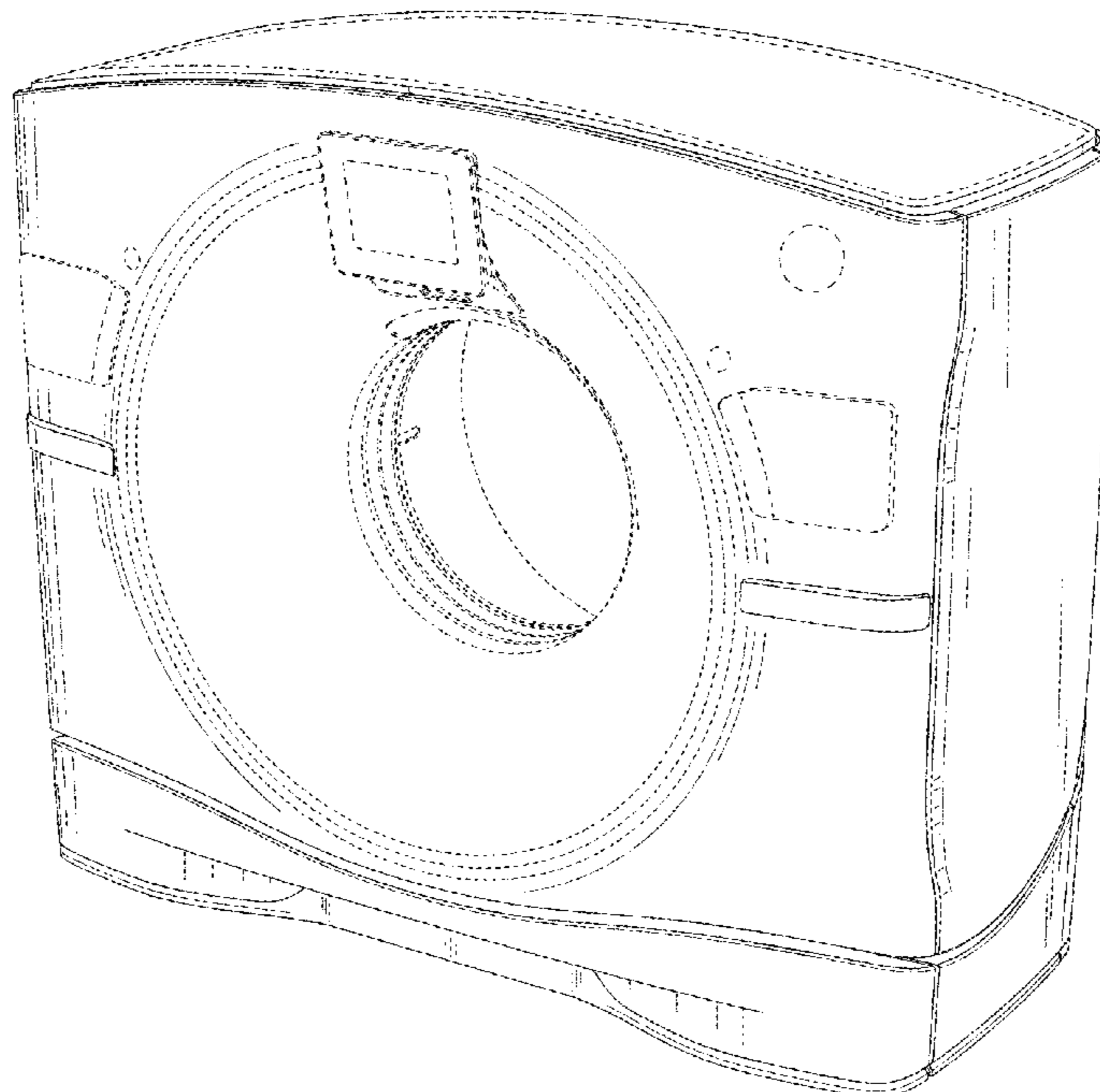
The ornamental design for an imaging apparatus, as shown and described.

**DESCRIPTION**

FIG. 1 is a front elevation view of an imaging apparatus. FIG. 2 is a front-right perspective view of the imaging apparatus of FIG. 1. FIG. 3 is left side elevation view of the imaging apparatus of FIG. 1. FIG. 4 is a back-right perspective view of the imaging apparatus of FIG. 1. FIG. 5 is a back elevation view of the imaging apparatus of FIG. 1. FIG. 6 is a right side elevation view of the imaging apparatus of FIG. 1. FIG. 7 is a top plan view of the imaging apparatus of FIG. 1; and, FIG. 8 is a bottom plan view of the imaging apparatus of FIG. 1.

The broken lines in FIGS. 1-8 are included for the purpose of illustrating portions of the imaging apparatus, and form no part of the claimed design.

**1 Claim, 8 Drawing Sheets**



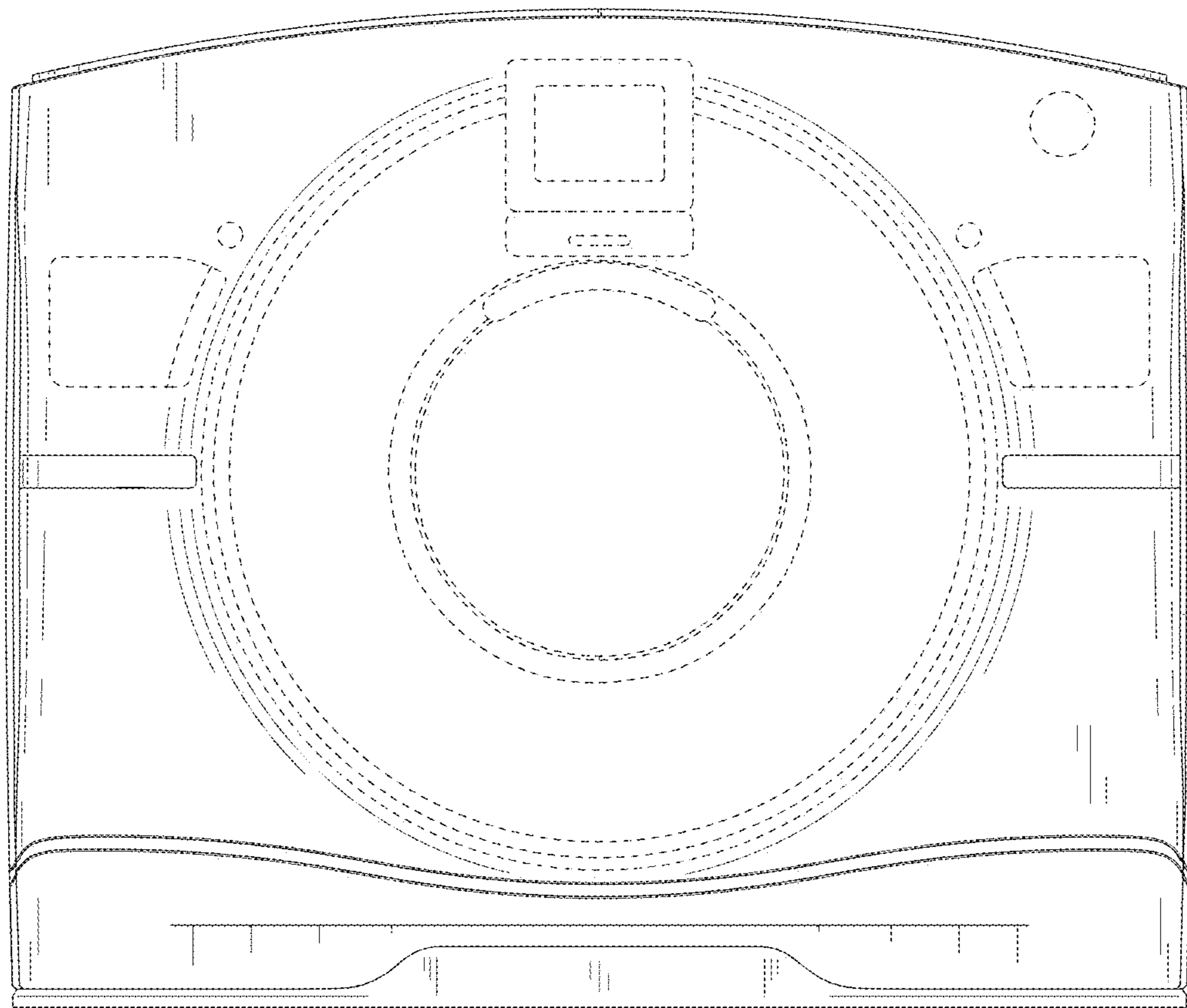


FIG. 1

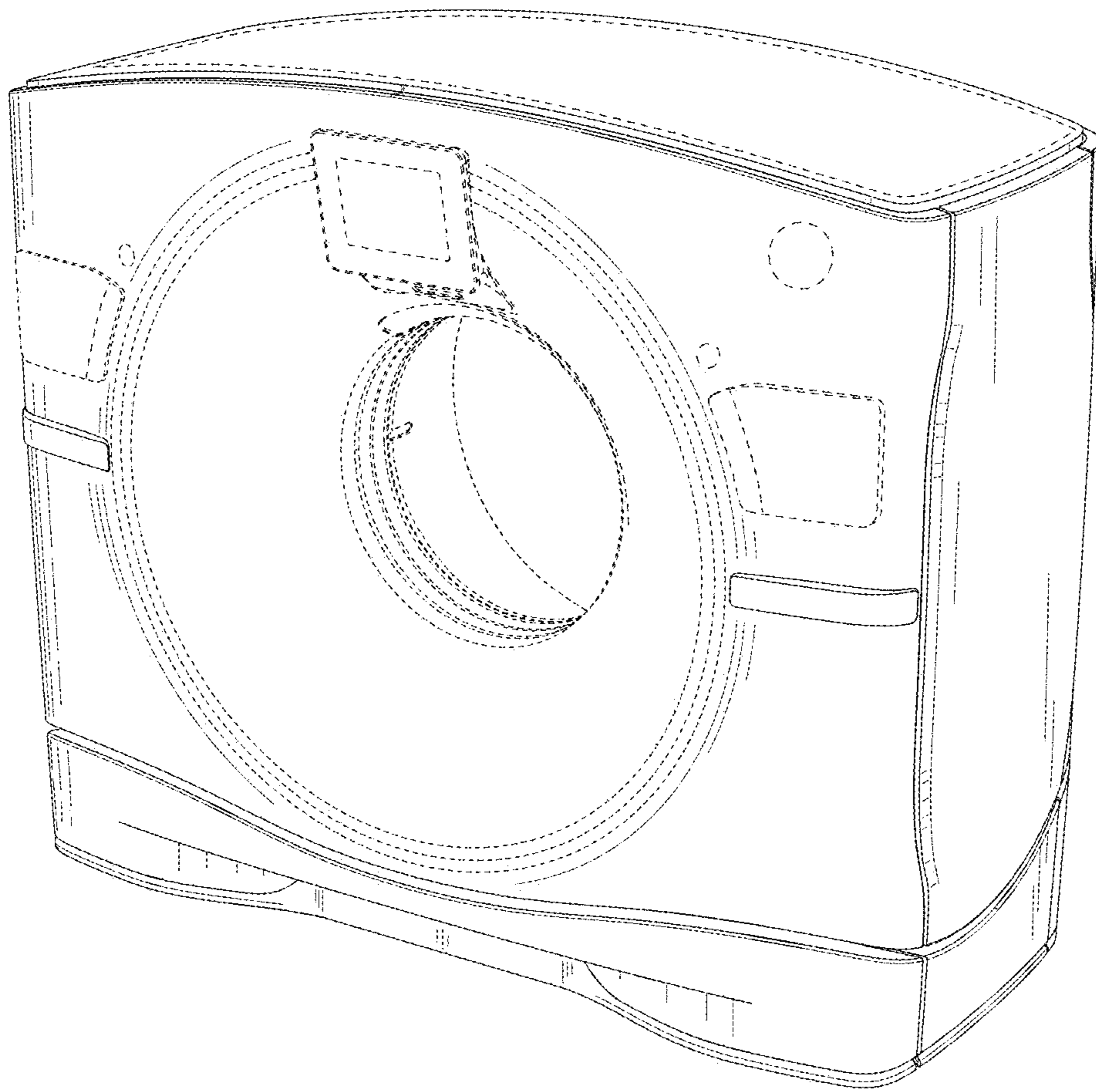


FIG. 2

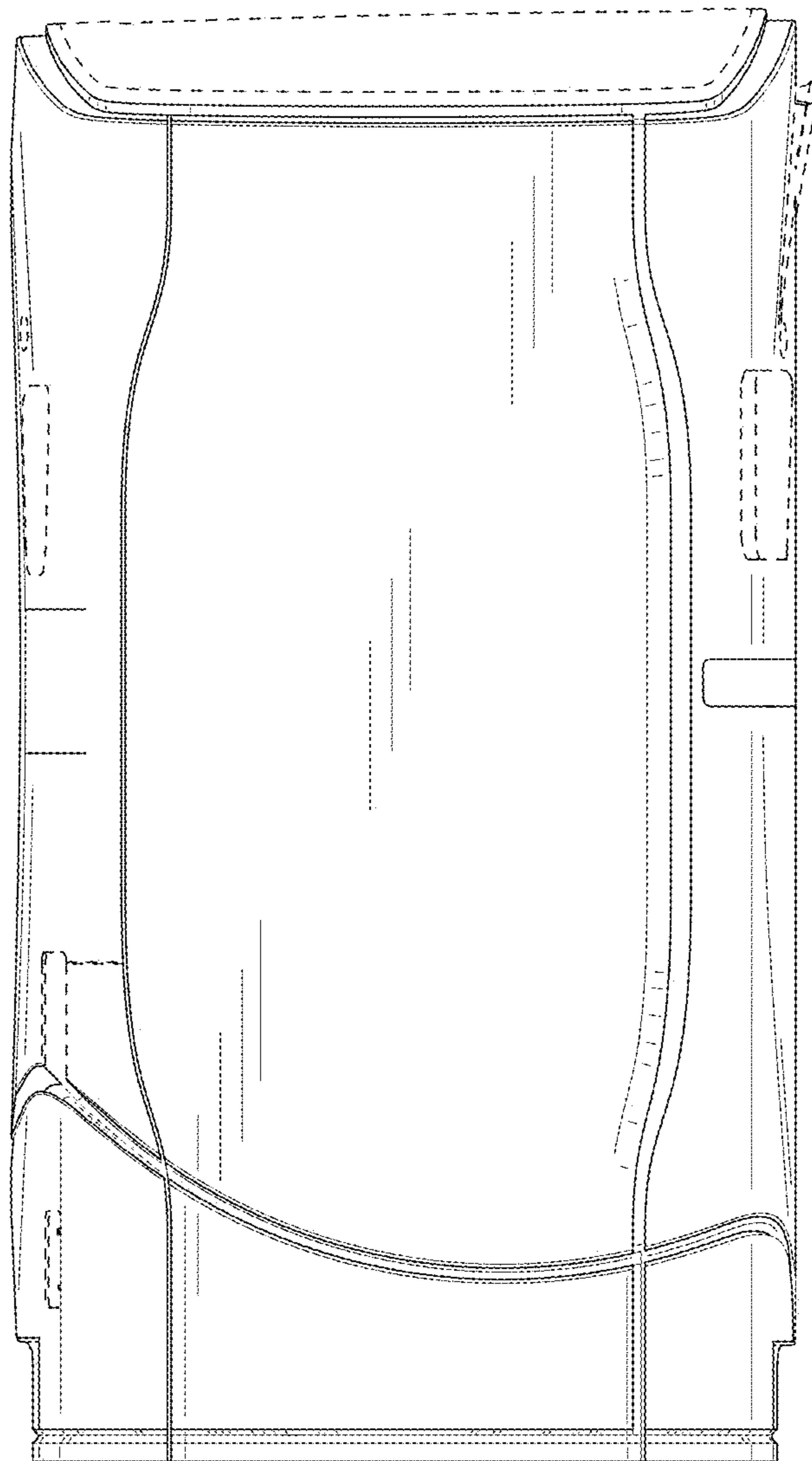


FIG. 3

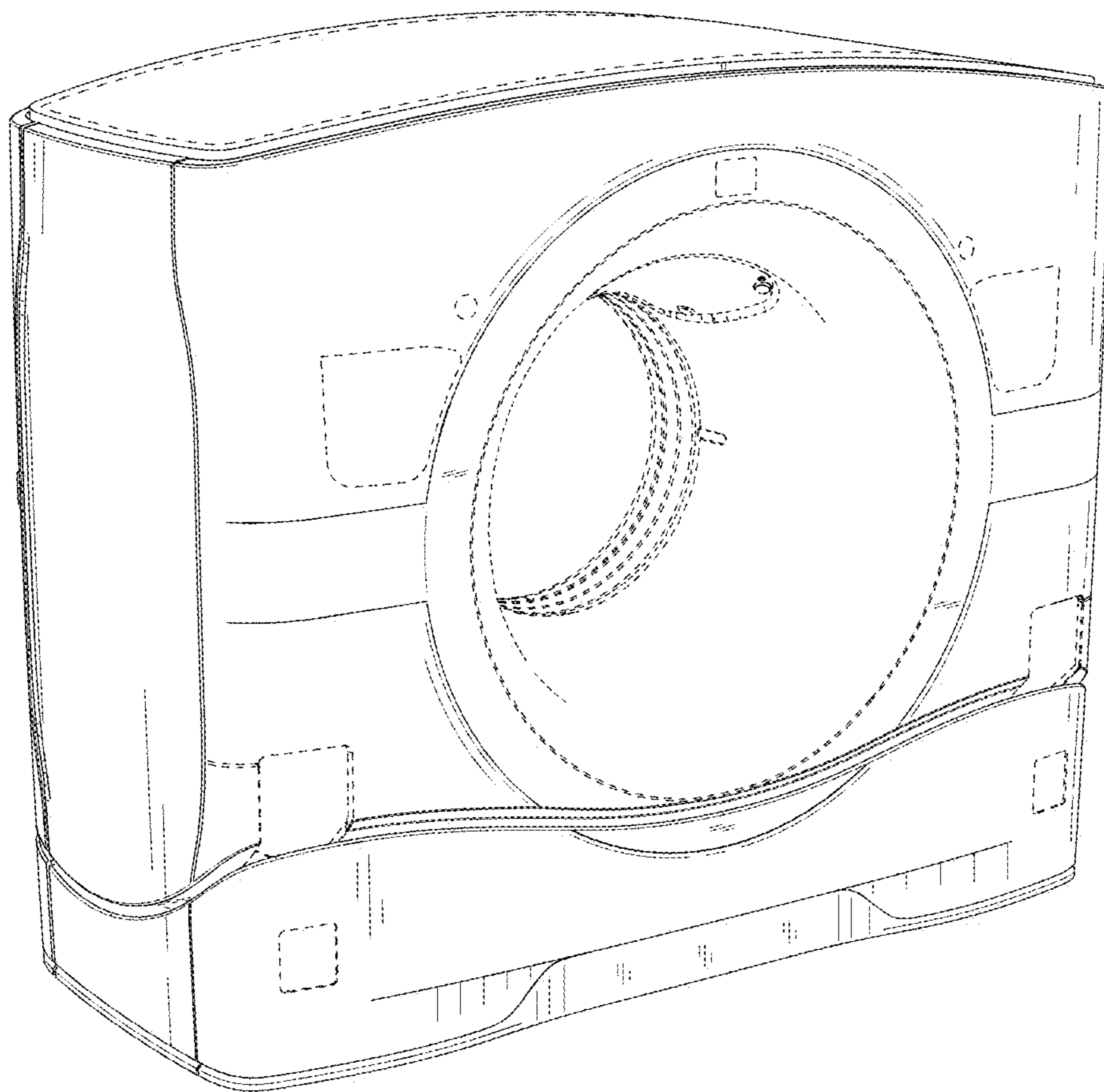


FIG. 4

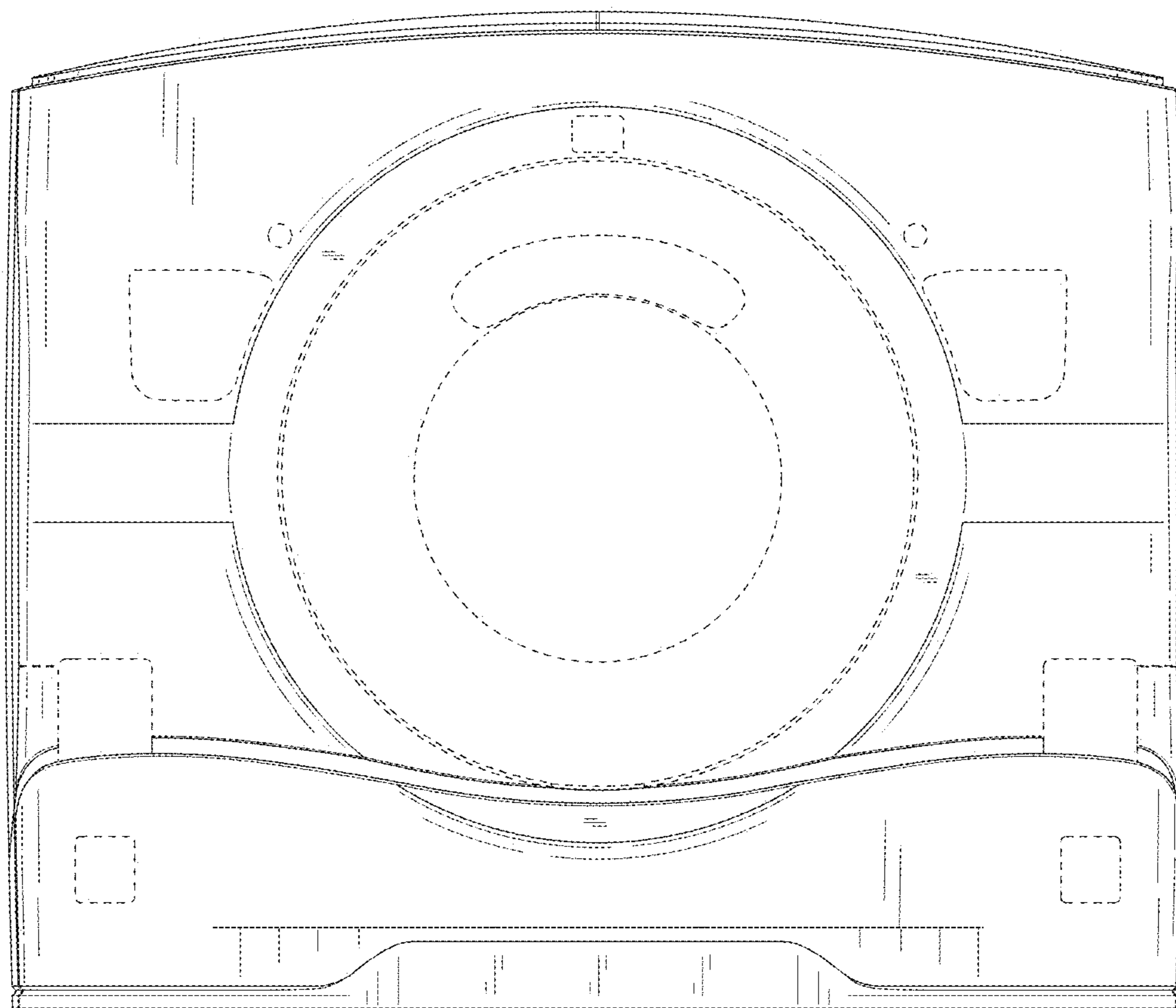


FIG. 5

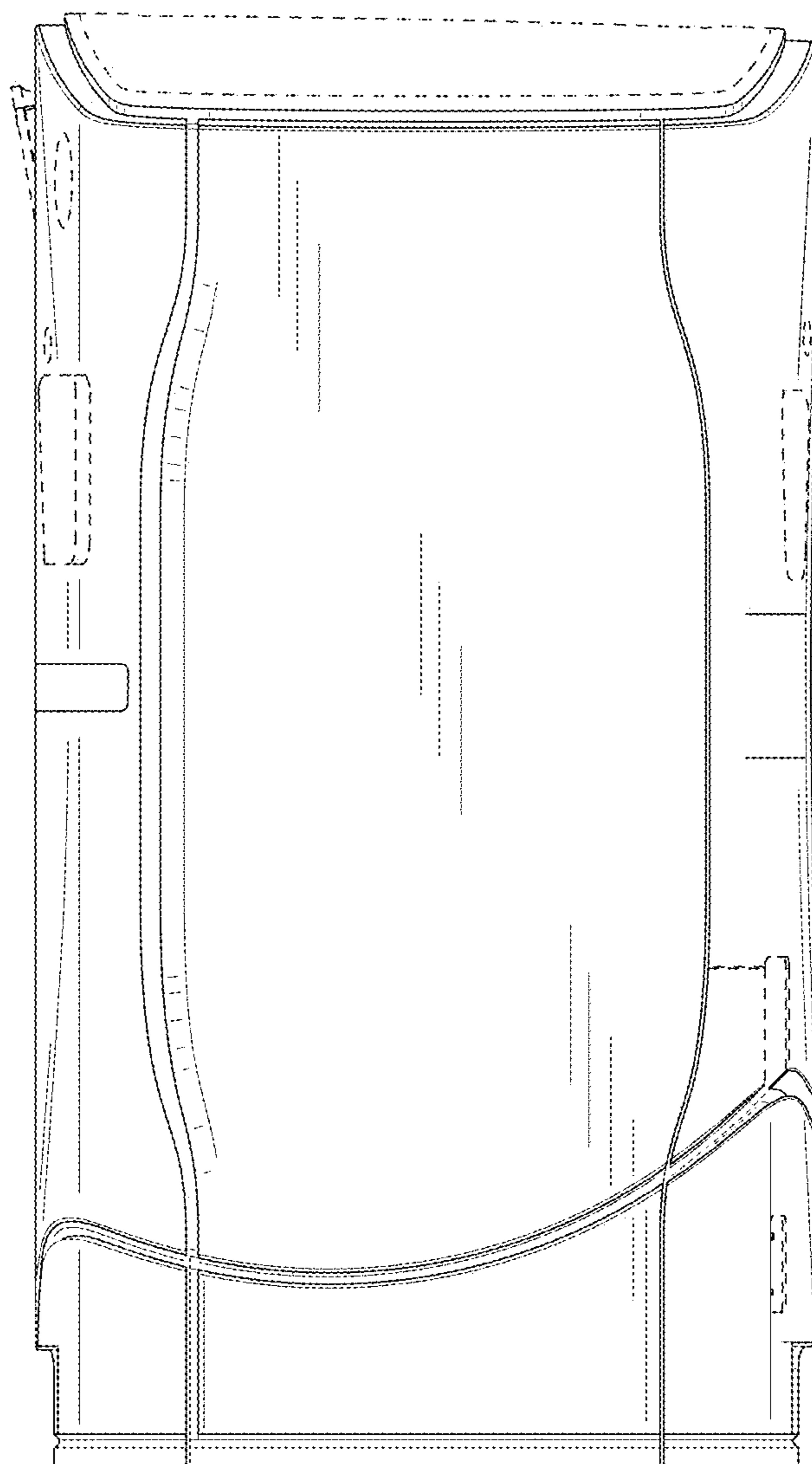


FIG. 6

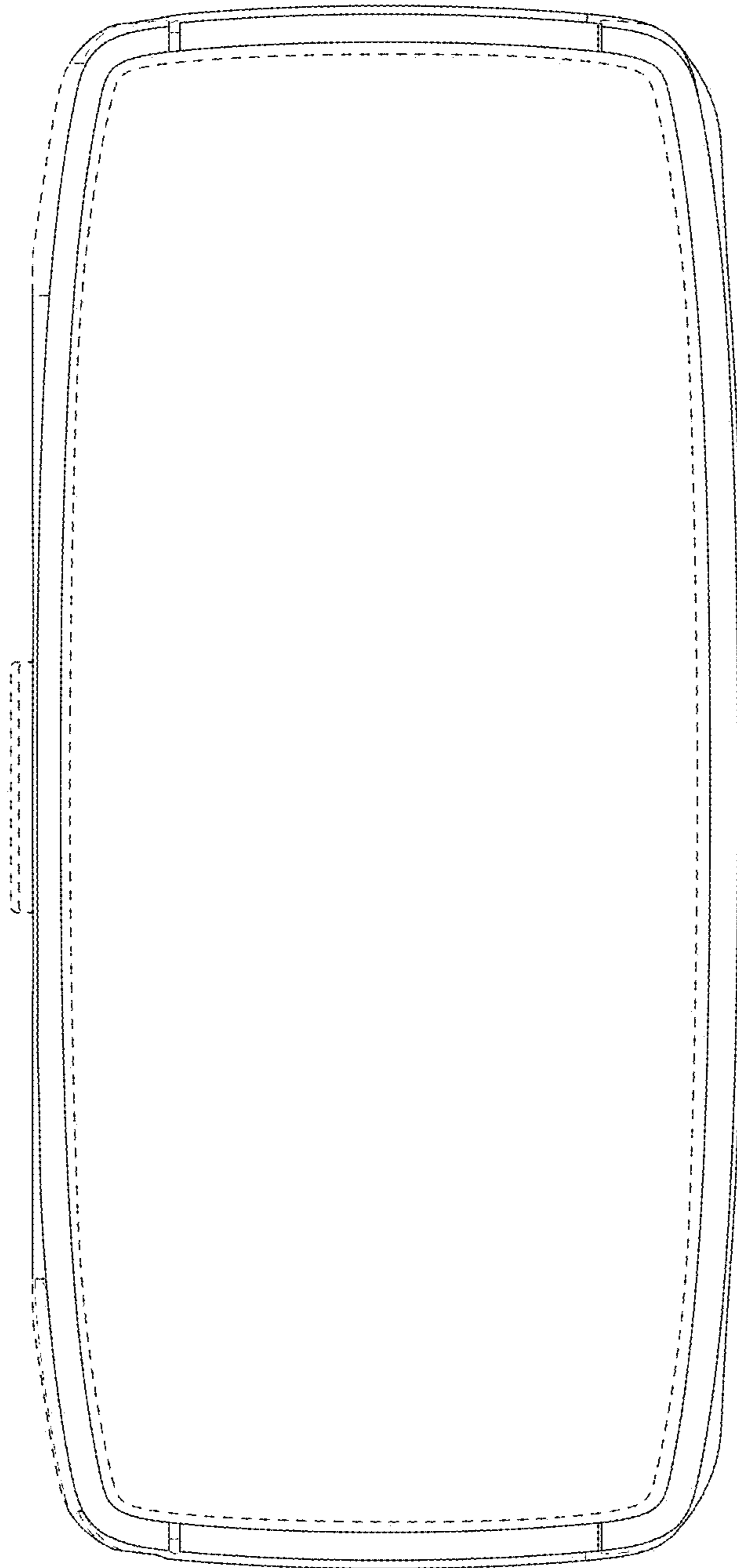


FIG. 7



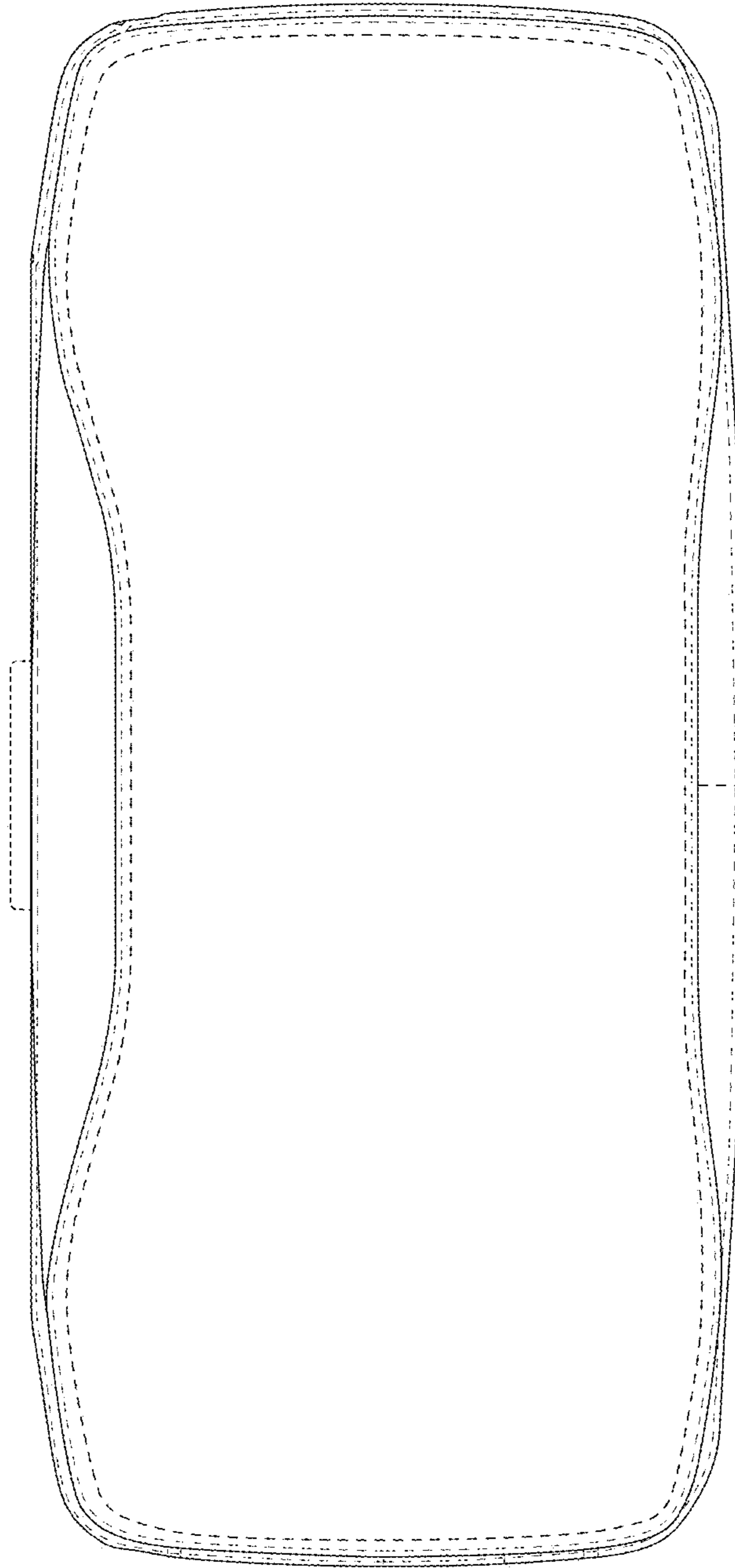


FIG. 8