



US00D874002S

(12) **United States Design Patent** (10) **Patent No.:** **US D874,002 S**
Krenz et al. (45) **Date of Patent:** **** Jan. 28, 2020**

(54) **PROSTHESIS FOR A LOWER EXTREMITY**
 (71) Applicant: **OTTO BOCK HEALTHCARE GMBH**, Duderstadt (DE)
 (72) Inventors: **Hannes Krenz**, Goettingen (DE); **Adam Wehsely-Swiczinsky**, Vienna (AT); **Christian Noack**, Goettingen (DE); **Peter Gerhardt**, Duderstadt (DE)

D462,769 S * 9/2002 Meyer D24/155
 D617,460 S * 6/2010 Okuda D24/155
 D733,884 S * 7/2015 Hillmann D24/155
 9,138,624 B2 * 9/2015 Maugham A44B 17/0041
 9,198,778 B2 * 12/2015 Celebi A61F 2/76
 D782,679 S * 3/2017 Tazreak D24/155
 D795,432 S * 8/2017 Radzinsky D24/155
 D857,896 S * 8/2019 Fonfara D24/155
 2008/0228288 A1 * 9/2008 Nelson A61F 2/66
 623/55

(73) Assignee: **OTTOBOCK SE & CO. KGAA**, Duderstadt (DE)

* cited by examiner

(**) Term: **15 Years**

Primary Examiner — Charles D Hanson

(74) *Attorney, Agent, or Firm* — Holland & Hart, LLP

(21) Appl. No.: **29/638,989**

(22) Filed: **Mar. 2, 2018**

(51) **LOC (12) Cl.** **24-03**

(52) **U.S. Cl.**
 USPC **D24/155**

(58) **Field of Classification Search**
 USPC D24/155
 CPC A61F 2/80; A61F 2/60; A61F 2/76; A61F 2/68; A61F 2/64; A61F 2220/0025; A61F 2220/41; A61F 2002/607; A61F 2002/802; A61F 2002/5007
 See application file for complete search history.

(56) **References Cited**

U.S. PATENT DOCUMENTS

6,231,618 B1 * 5/2001 Schall A61F 2/76
 623/33
 D462,767 S * 9/2002 Meyer A61F 2/76
 D24/155

(57) **CLAIM**

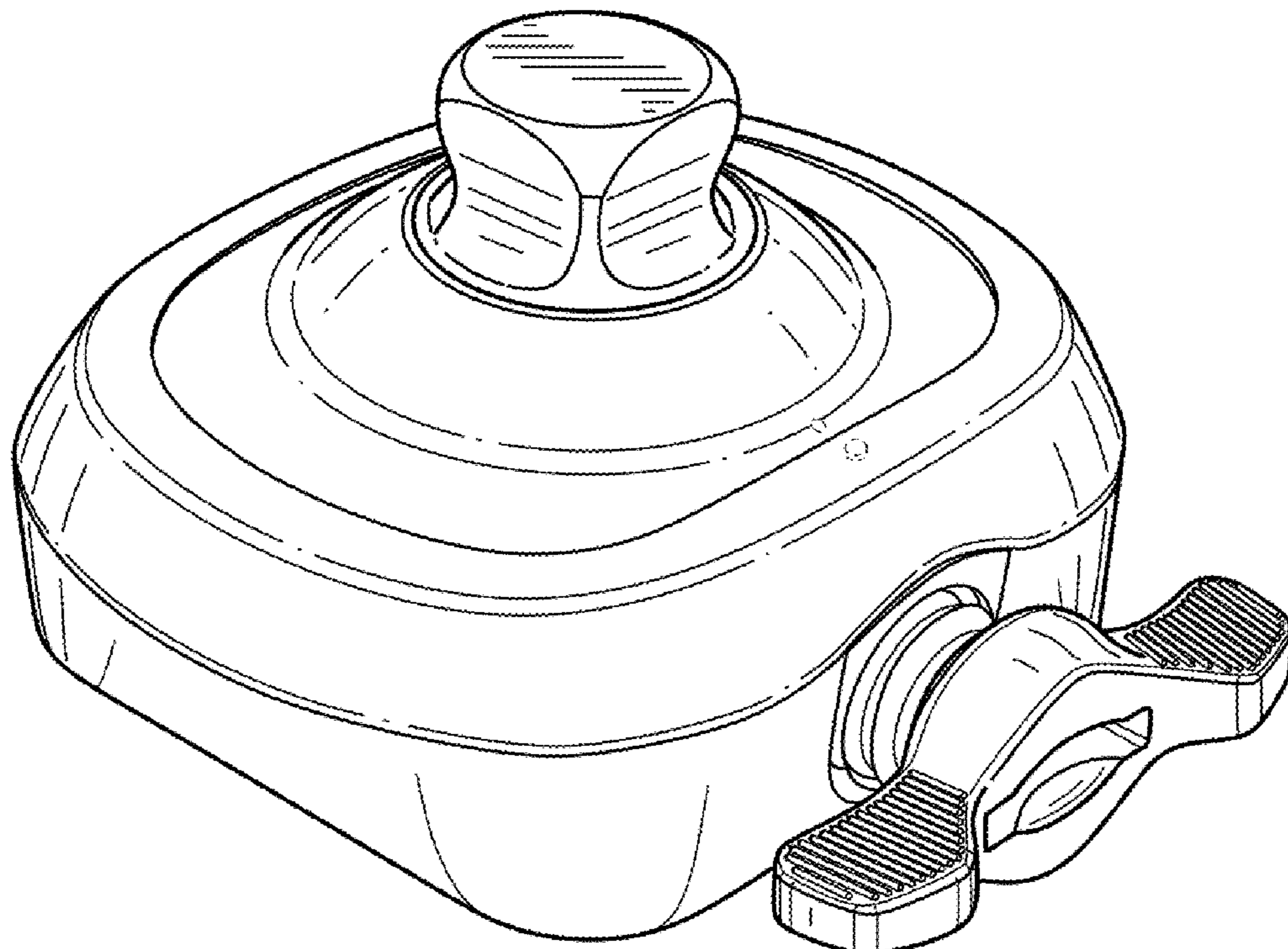
The ornamental design for a prosthesis for a lower extremity, as shown and described.

DESCRIPTION

FIG. 1 is a top perspective view of a prosthesis for a lower extremity according to the present invention; FIG. 2 is another top perspective view thereof; FIG. 3 is right side view thereof; FIG. 4 is front view thereof; FIG. 5 is left side view thereof; FIG. 6 is rear view thereof; and, FIG. 7 is top view thereof.

The broken lines shown in the figures illustrate unclaimed portions of the prosthesis for a lower extremity.

1 Claim, 4 Drawing Sheets



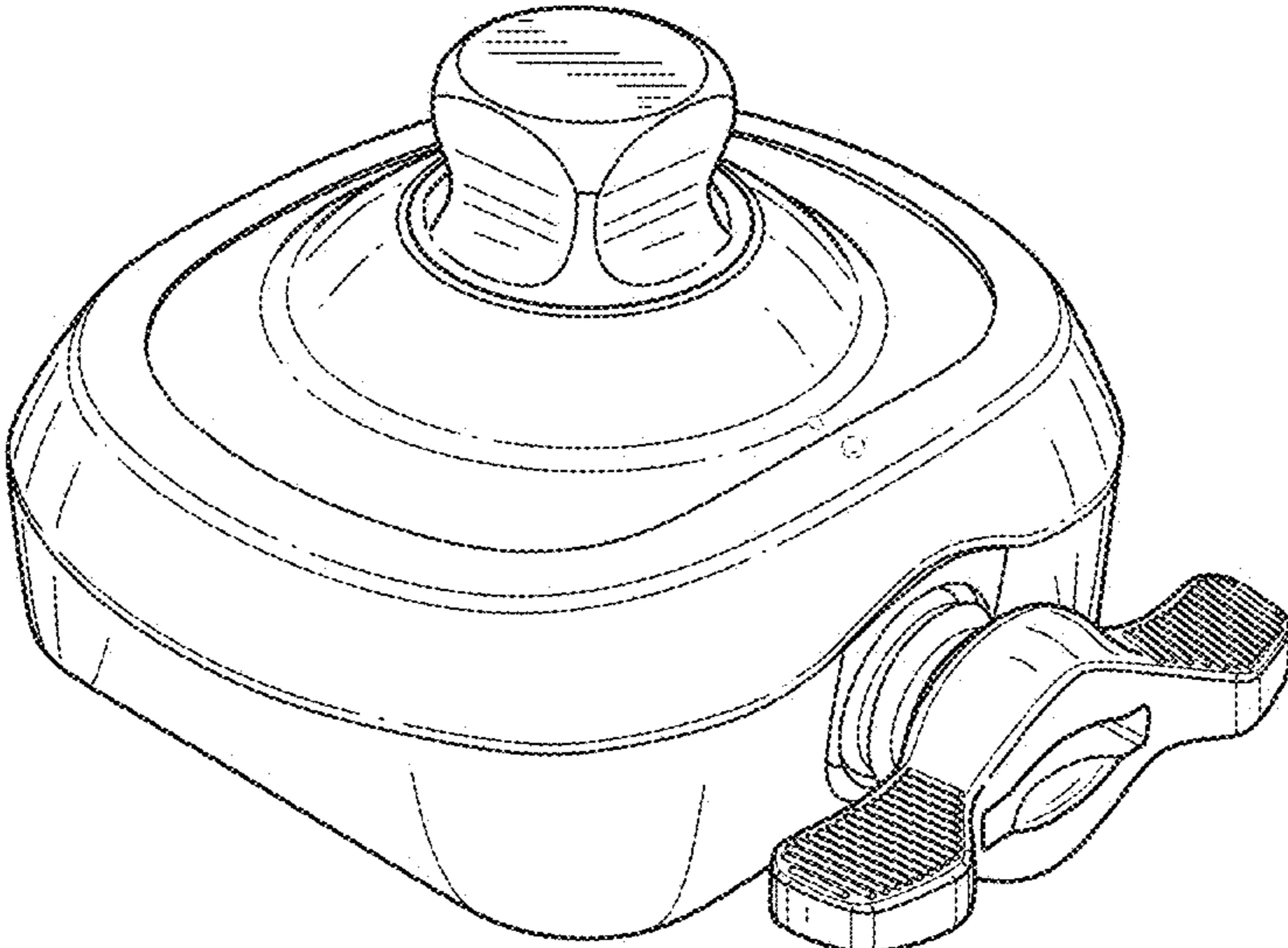


FIG. 1

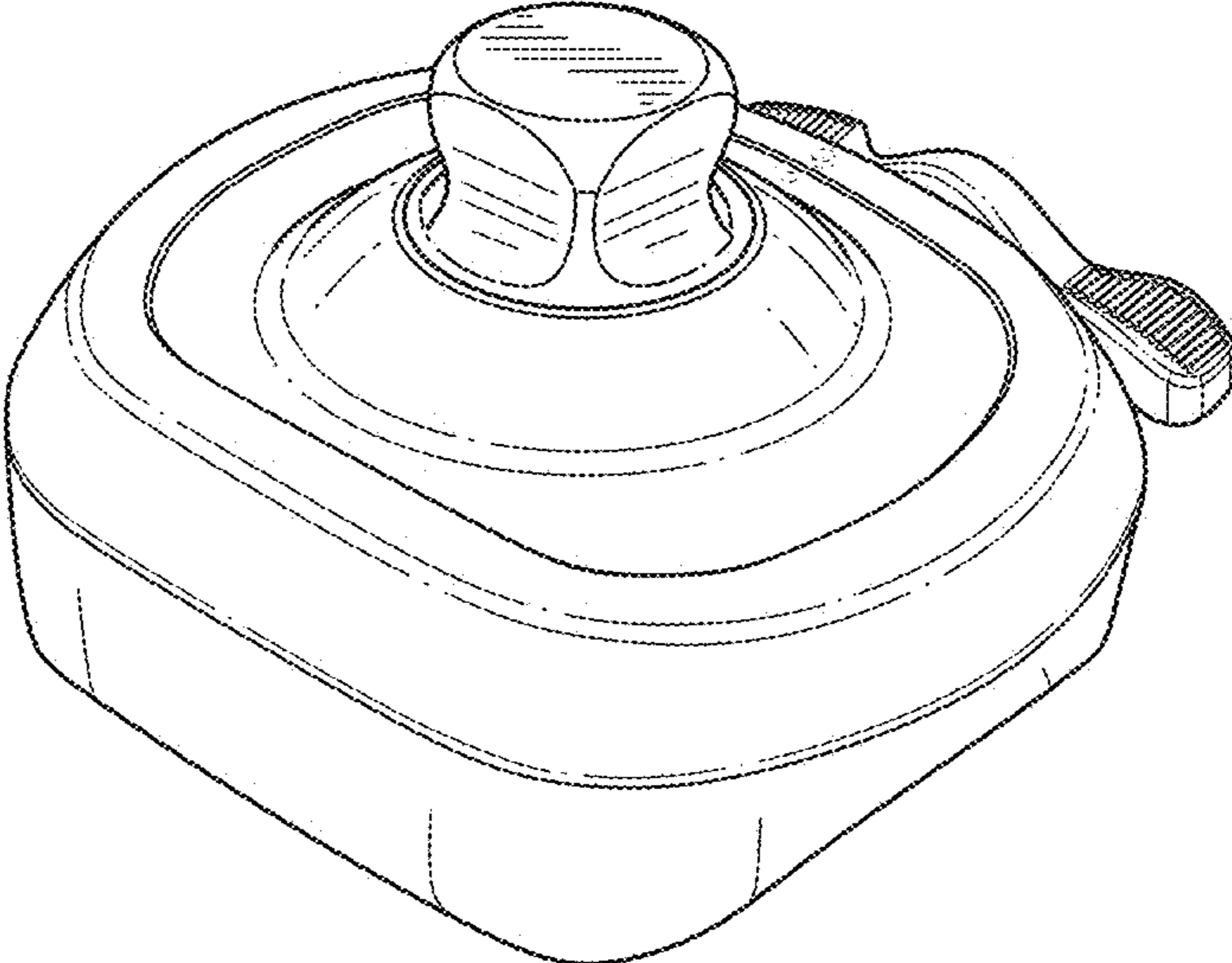


FIG. 2

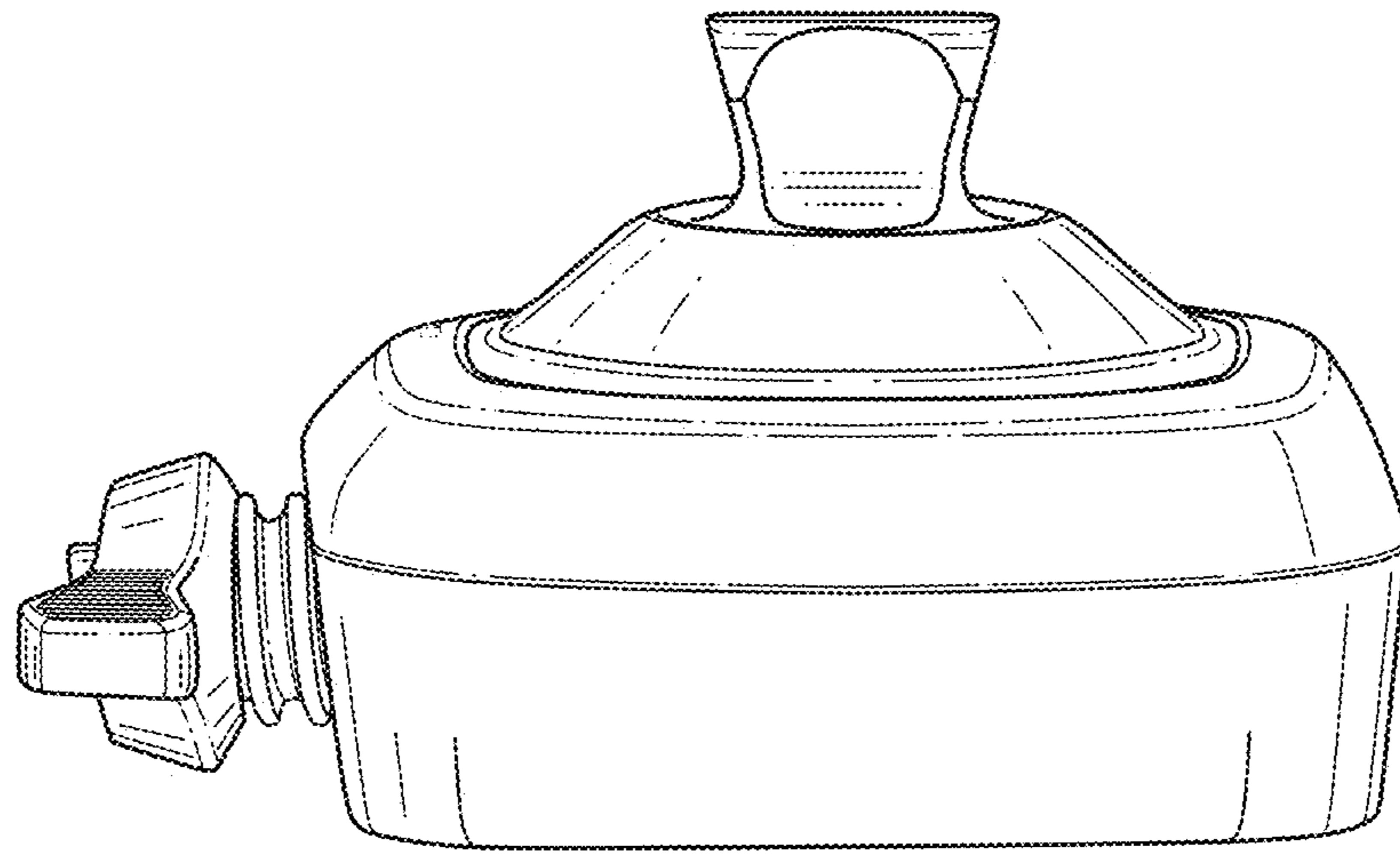


FIG. 3

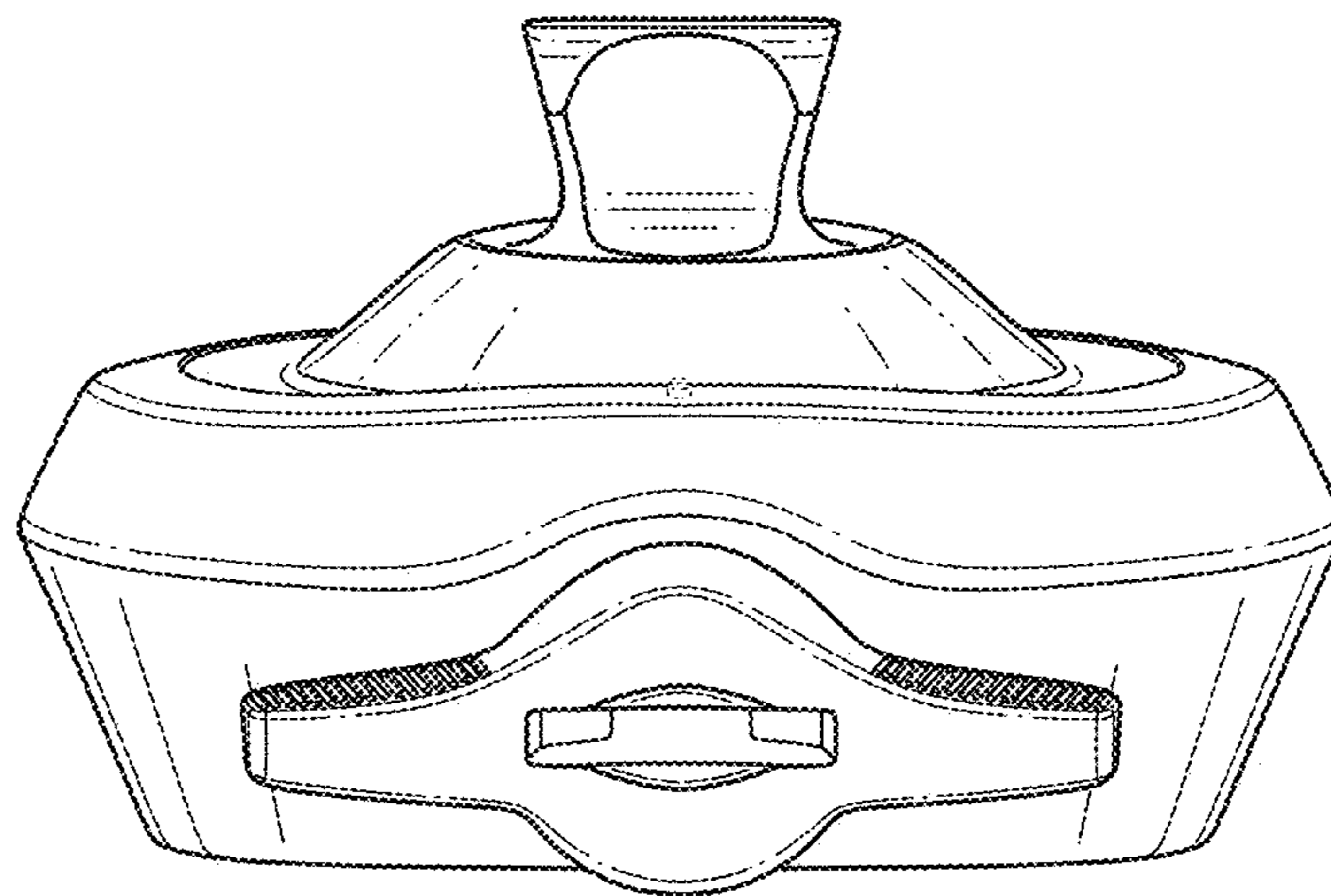


FIG. 4

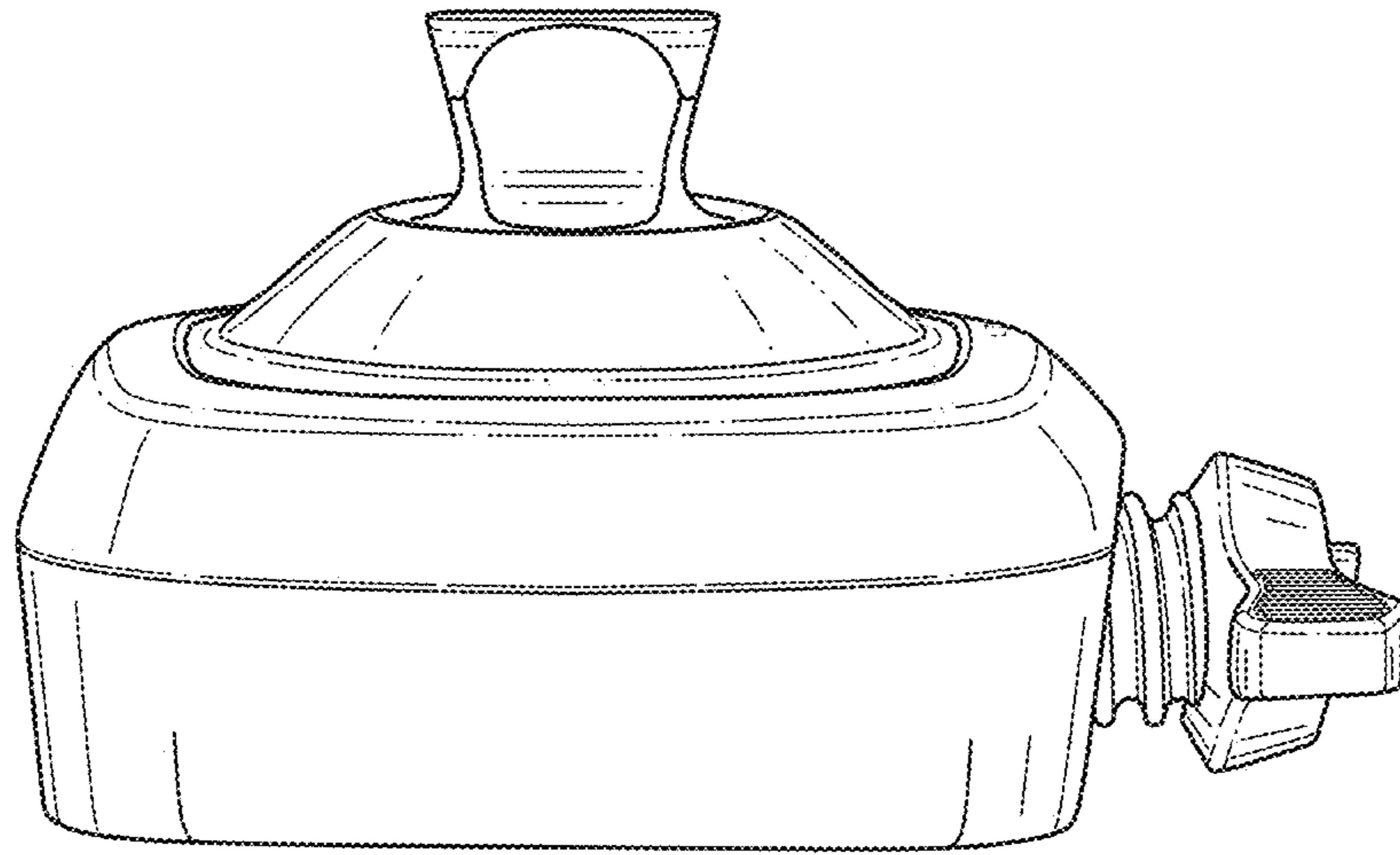


FIG. 5

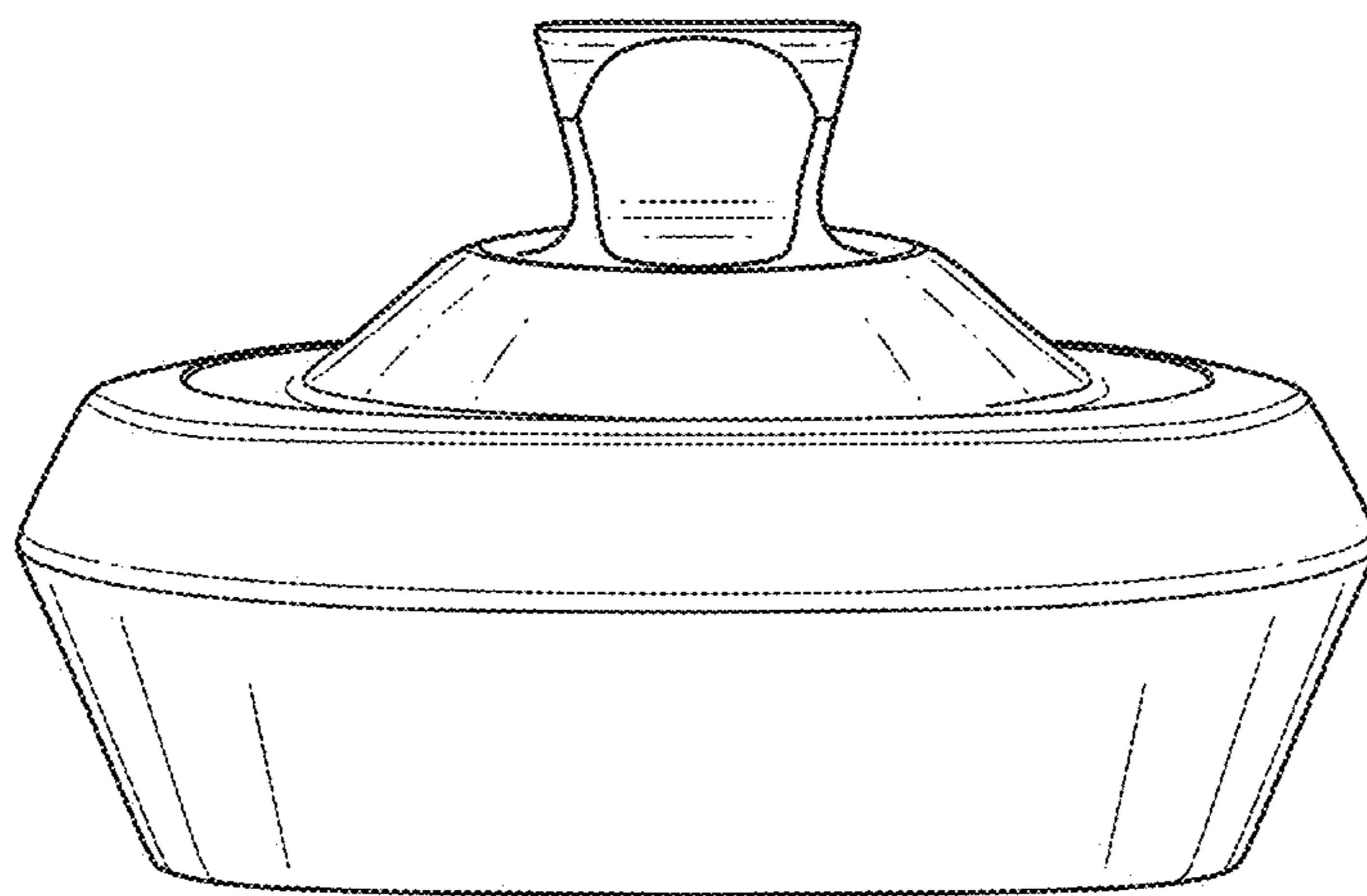


FIG. 6

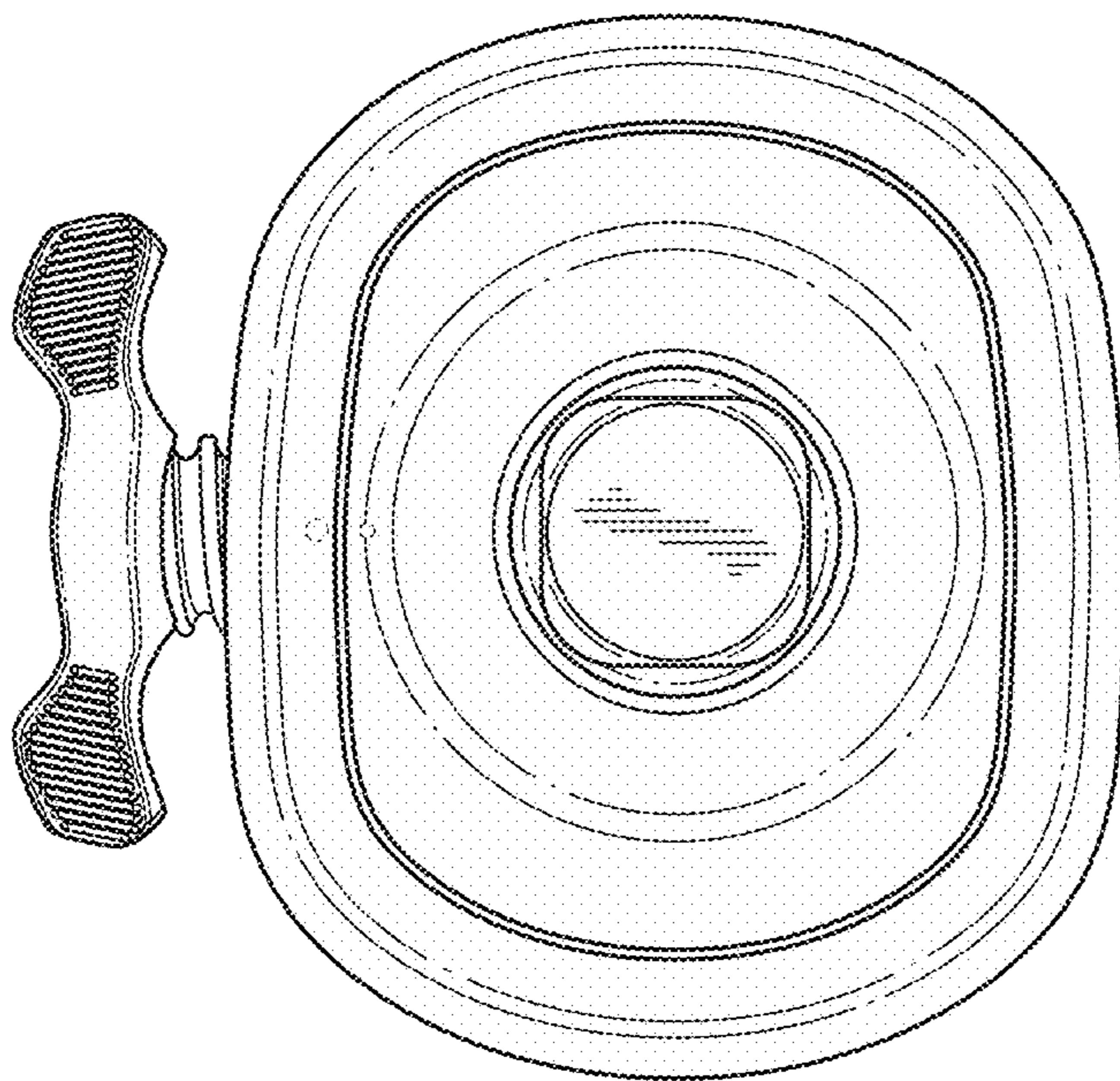


FIG. 7