



US00D874001S

(12) **United States Design Patent**  
**Khouri**

(10) **Patent No.:** **US D874,001 S**

(45) **Date of Patent:** **\*\* Jan. 28, 2020**

(54) **CURVED INTERPROXIMAL DENTAL TOOL BLADE**

(71) Applicant: **Louie Khouri**, Birmingham, MI (US)

(72) Inventor: **Louie Khouri**, Birmingham, MI (US)

(\*\*) Term: **15 Years**

(21) Appl. No.: **29/627,137**

(22) Filed: **Nov. 22, 2017**

**Related U.S. Application Data**

(63) Continuation-in-part of application No. 15/221,665, filed on Jul. 28, 2016, now Pat. No. 10,117,725.

(51) **LOC (12) Cl.** ..... **24-02**

(52) **U.S. Cl.**  
USPC ..... **D24/152**

(58) **Field of Classification Search**  
USPC ..... D24/147, 152; D8/90, 9, 20, 26, 64, 96, D8/98; D7/696; 433/144; 30/144, 30/166.3; 83/853  
CPC ..... A61C 3/06; A61C 3/12; A61C 15/046  
See application file for complete search history.

(56) **References Cited**

**U.S. PATENT DOCUMENTS**

- 2,288,011 A \* 6/1942 Mizzy ..... A61C 3/06  
433/148
- 5,974,668 A \* 11/1999 Butzer ..... A24F 13/24  
30/110
- D500,644 S \* 1/2005 Cavanaugh ..... D32/49

- D576,730 S \* 9/2008 Kim ..... D24/147
- 7,455,521 B2 \* 11/2008 Fishburne, Jr. .... A61C 3/06  
132/323
- D609,341 S \* 2/2010 Khouri ..... A61C 3/06  
D24/152
- D751,708 S \* 3/2016 Tapocik ..... D24/152
- 9,402,694 B2 \* 8/2016 Khouri ..... A61C 3/06

\* cited by examiner

*Primary Examiner* — Wan Laymon

(74) *Attorney, Agent, or Firm* — Harness, Dickey & Pierce, P.L.C.

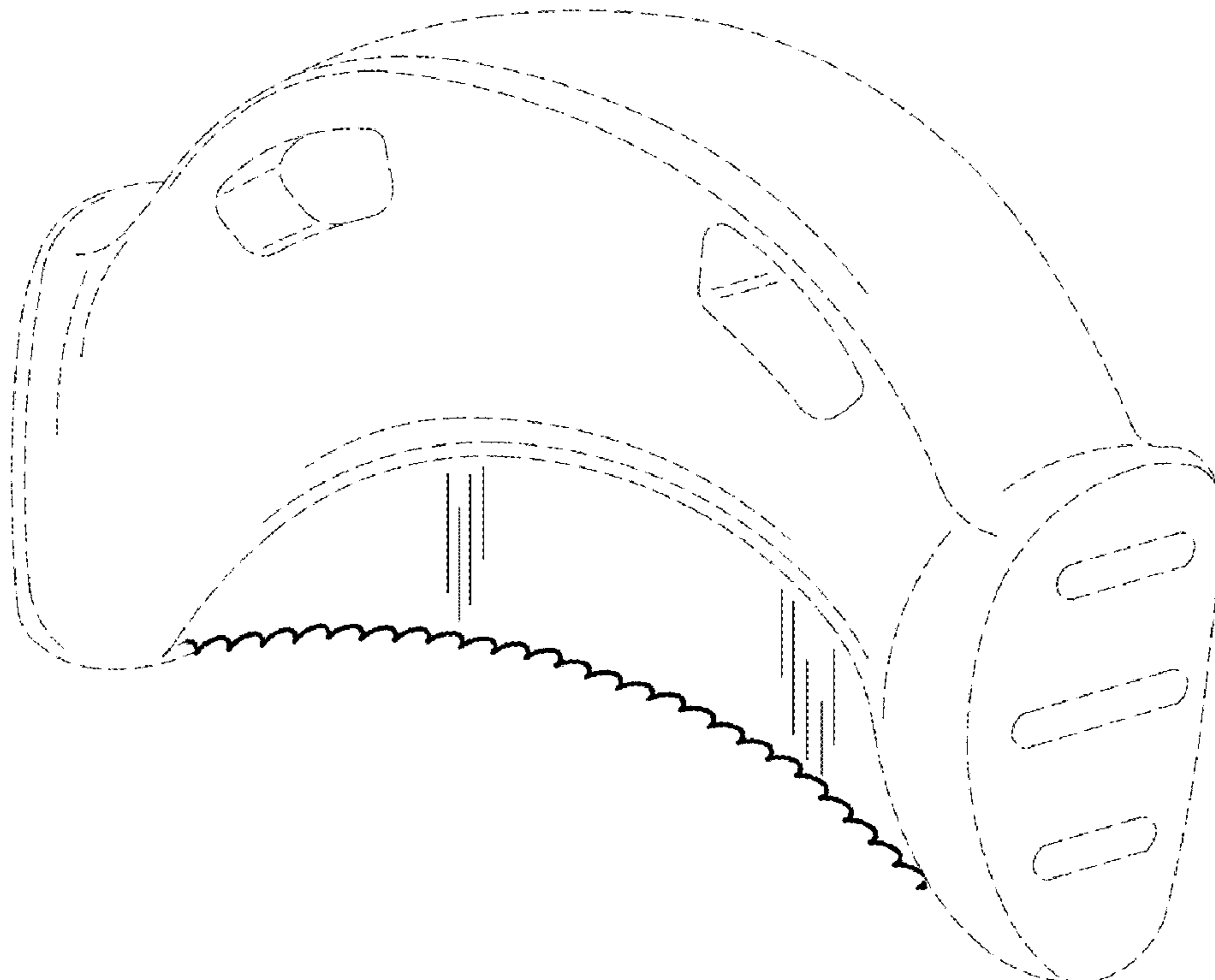
(57) **CLAIM**

The ornamental design for a curved interproximal dental tool blade, as shown and described.

**DESCRIPTION**

FIG. 1 is a front elevational view of the curved interproximal dental tool blade according to my new design as shown; FIG. 2 is a front view of the curved interproximal dental tool blade as shown in FIG. 1; FIG. 3 is a top view of a curved interproximal dental tool blade shown in FIG. 1; FIG. 4 is a left side view of a curved interproximal dental tool blade shown in FIG. 1; FIG. 5 is a bottom view of a curved interproximal dental tool blade shown in FIG. 1; FIG. 6 is a back view of a curved interproximal dental tool blade shown in FIG. 1; and, FIG. 7 is a right side view of a curved interproximal dental tool blade shown in FIG. 1.

**1 Claim, 2 Drawing Sheets**



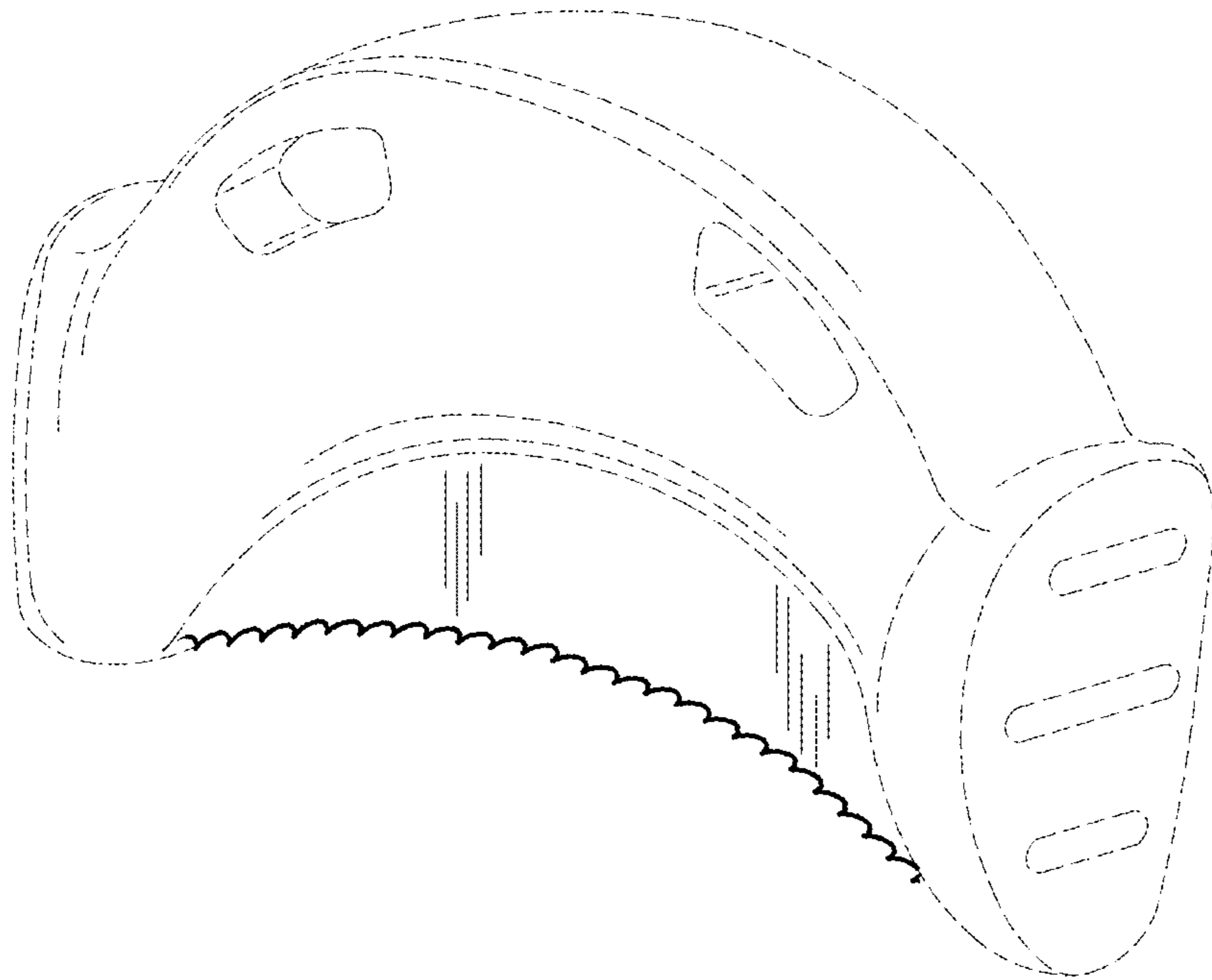


FIG - 1

FIG - 2

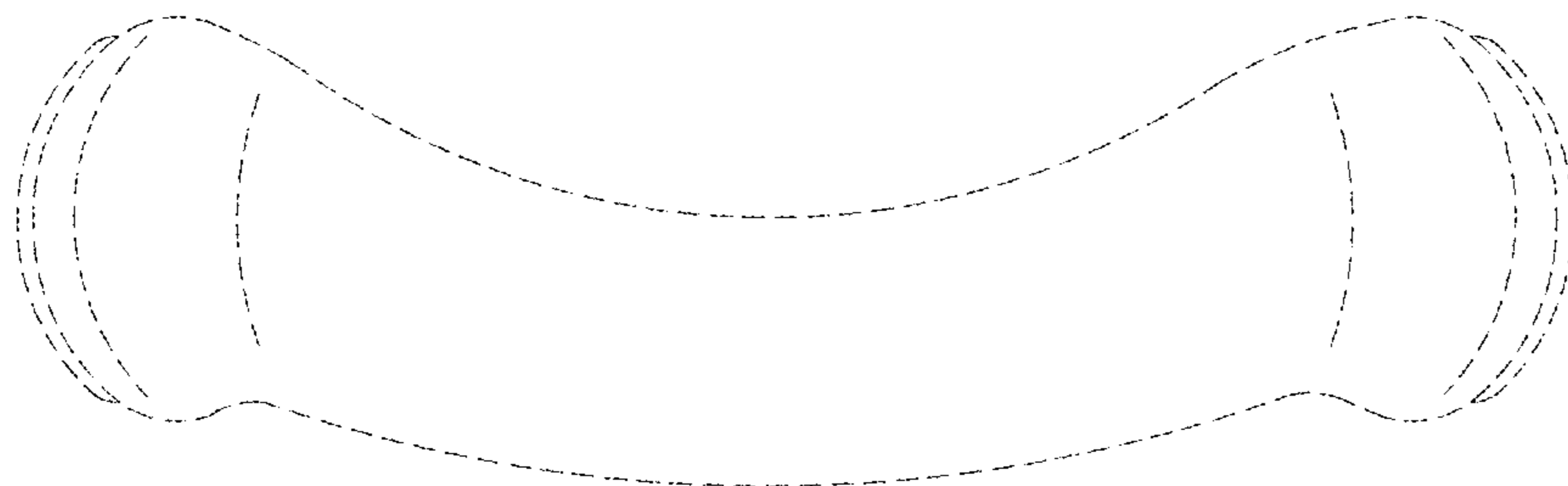
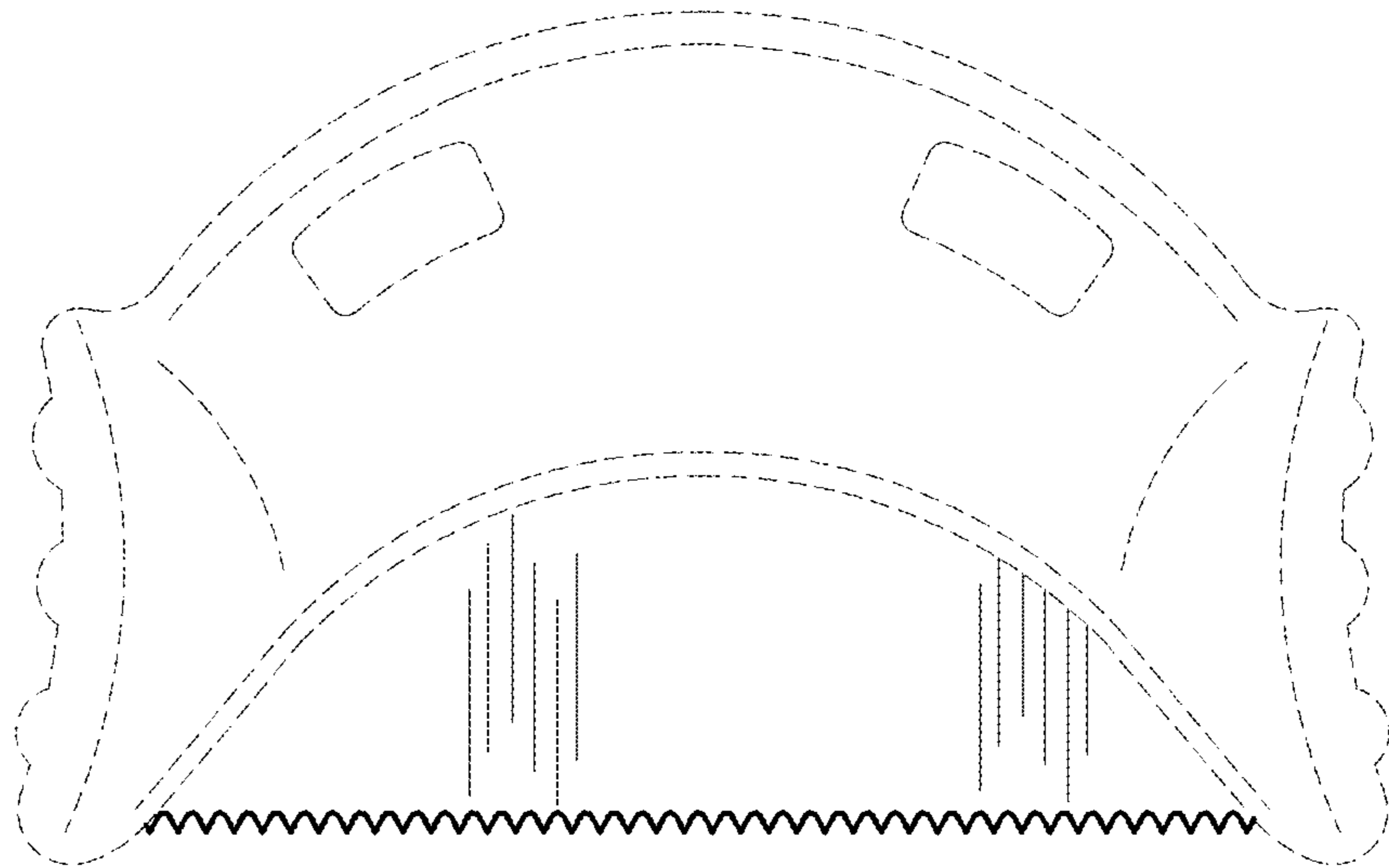


FIG - 3

FIG - 4

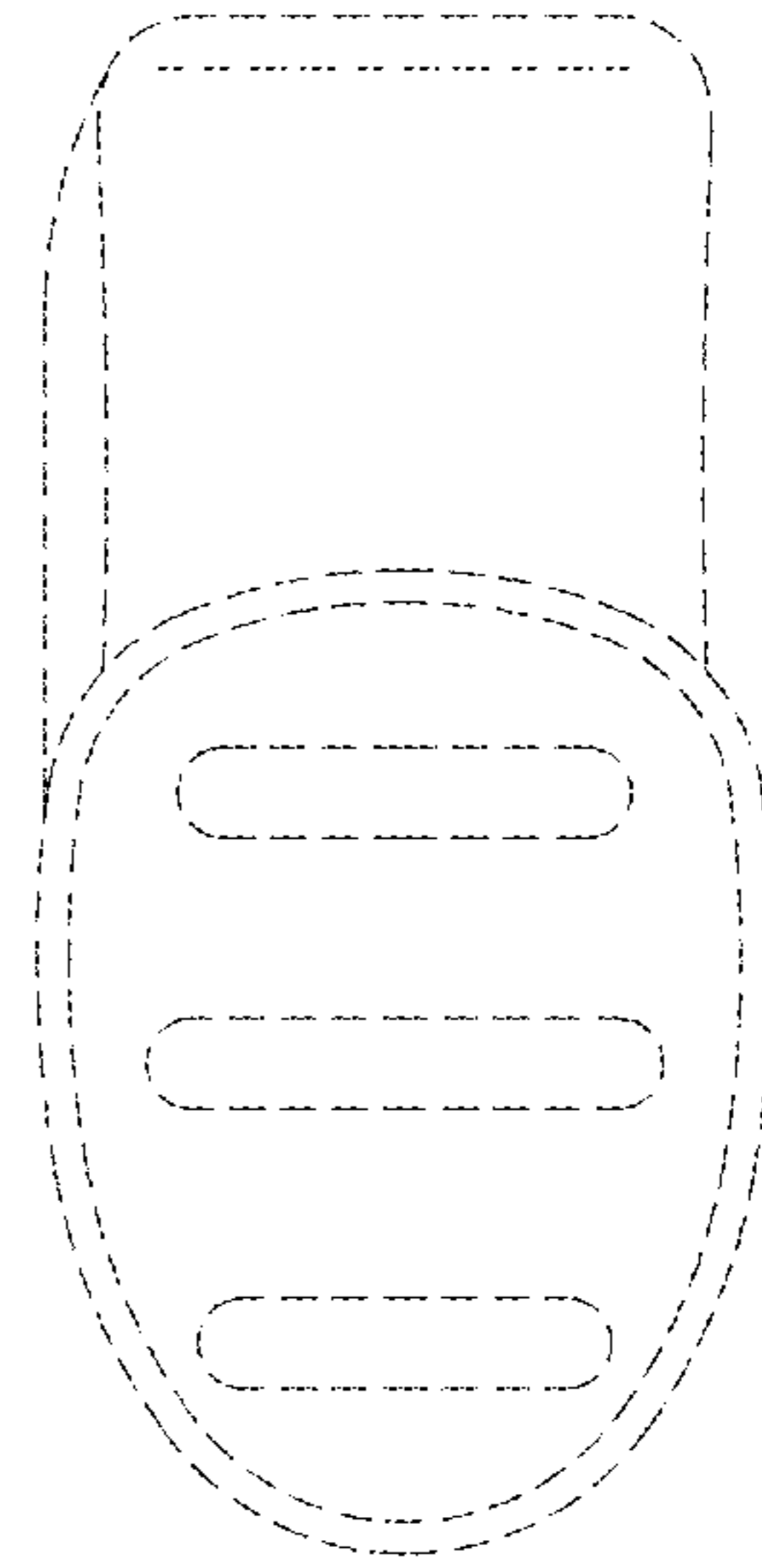


FIG - 5

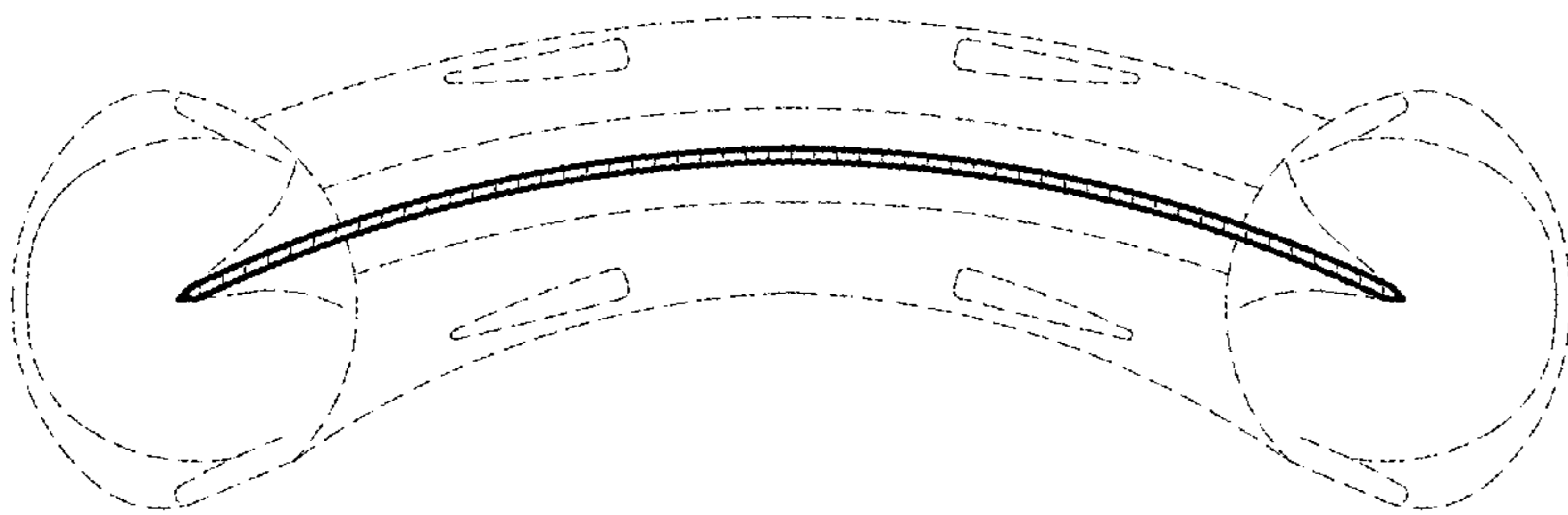


FIG - 6

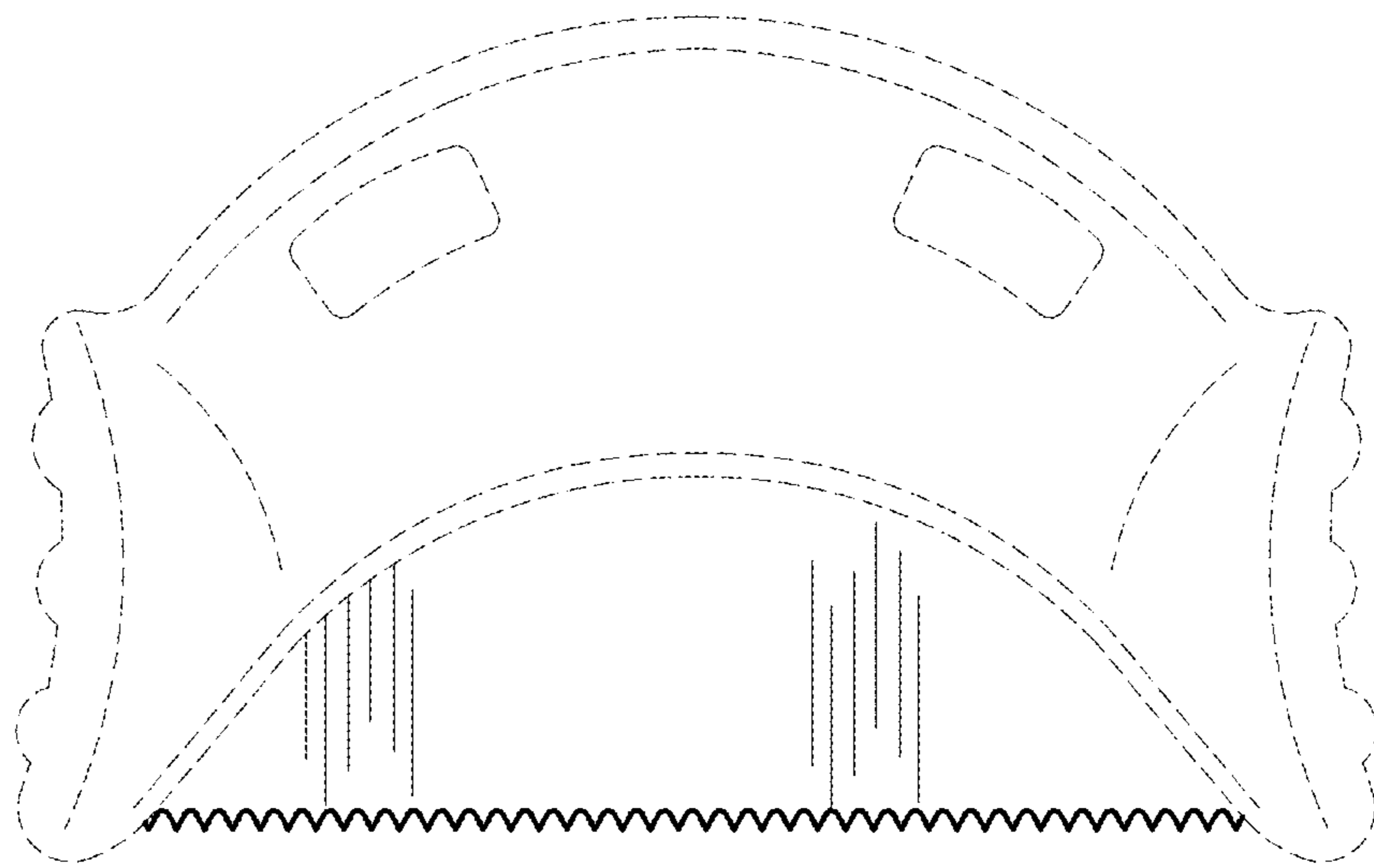


FIG - 7

