



US00D873999S

(12) **United States Design Patent**
Di Sessa et al.

(10) **Patent No.:** **US D873,999 S**
(45) **Date of Patent:** **** Jan. 28, 2020**

- (54) **LASER SYSTEM DISPLAY**
- (71) Applicant: **Azena Medical, LLC**, Walnut Creek, CA (US)
- (72) Inventors: **Alexandre B. Di Sessa**, Walnut Creek, CA (US); **Roberto Minoru Imai**, Dublin, CA (US)
- (73) Assignee: **Azena Medical, LLC**, Walnut Creek, CA (US)
- (**) Term: **15 Years**
- (21) Appl. No.: **29/670,683**
- (22) Filed: **Nov. 19, 2018**

D553,142 S * 10/2007 Blencowe D14/486
 7,443,296 B2 10/2008 Mezhinsky
 7,695,469 B2 * 4/2010 Boutoussov A61B 18/22
 606/13
 7,815,630 B2 10/2010 Rizoiu
 8,192,359 B2 * 6/2012 Kusakabe A61B 5/00
 433/27

(Continued)

Related U.S. Application Data

- (63) Continuation of application No. 29/585,062, filed on Nov. 19, 2016, now Pat. No. Des. 841,163.
- (51) **LOC (12) Cl.** **24-02**
- (52) **U.S. Cl.**
USPC **D24/144**; D24/152
- (58) **Field of Classification Search**
USPC D24/144, 146, 133, 107, 112, 130, D24/185-186, 152, 176; D14/341, 485, D14/487-488; D18/26; D10/49-50, 64, D10/65, 122, 126, 30; D16/134; D20/11
CPC A61B 18/20; A61B 18/201; A61B 18/22; A61B 2018/202; A61B 2017/00199; A61B 5/00; A61C 1/0046; A61C 1/07; A61C 17/20; G06F 3/048; G06F 3/0481; G06F 3/04817; G06F 3/0482; G09G 3/30; G09G 2320/064
See application file for complete search history.

References Cited

U.S. PATENT DOCUMENTS

D322,415 S * 12/1991 Ritchie D10/126
 D453,966 S 2/2002 Claren

OTHER PUBLICATIONS

Notice of Allowance dated Sep. 19, 2019 for U.S. Appl. No. 29/670,685.

Primary Examiner — Wan Laymon

(74) *Attorney, Agent, or Firm* — Stoel Rives LLP

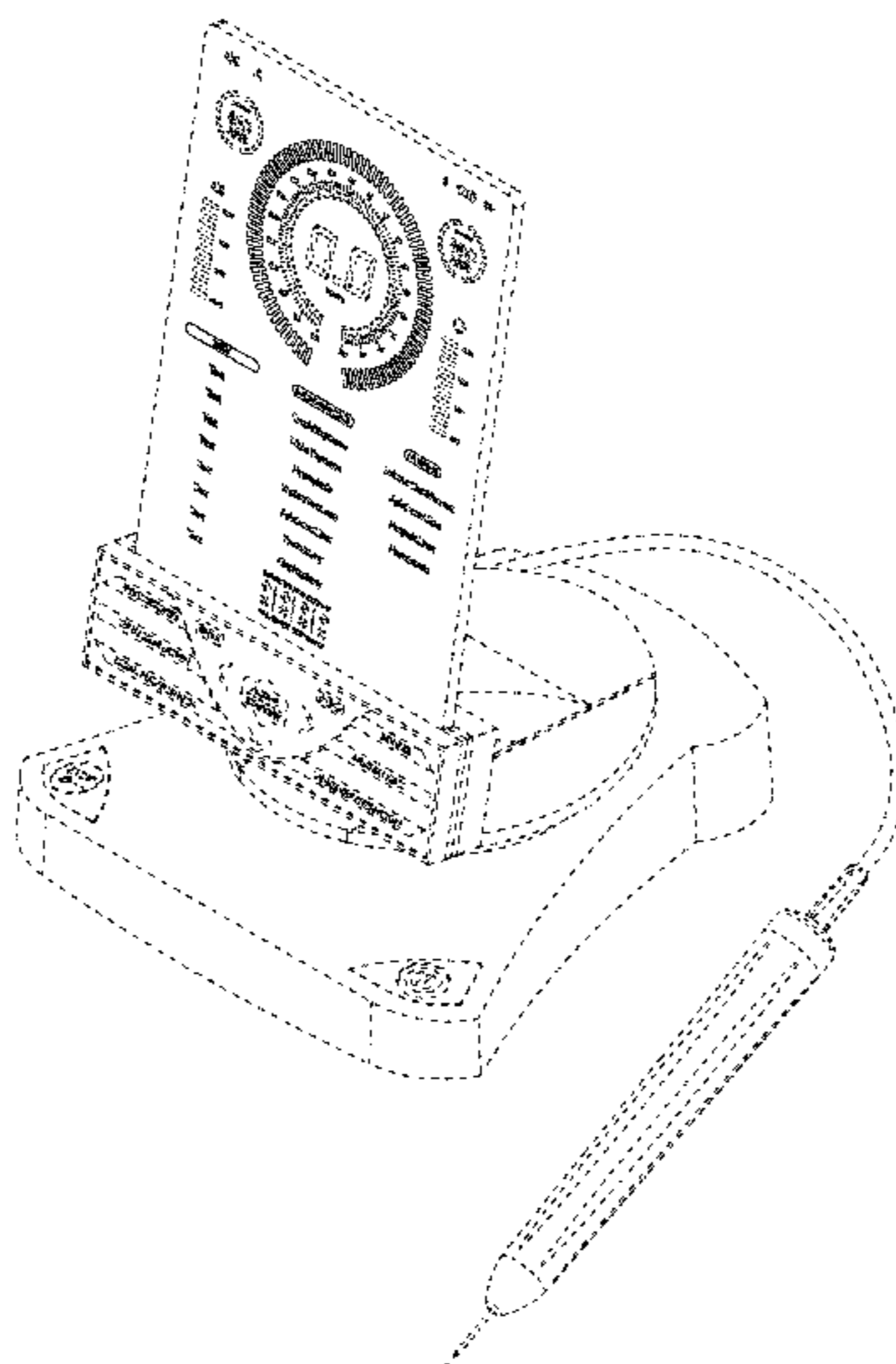
(57) **CLAIM**

The ornamental design for a laser system display, as shown and described.

DESCRIPTION

FIG. 1 is a perspective view of a laser system display showing our new design, where the laser system display is depicted in an operational state;
 FIG. 2 is an enlarged front plan view thereof;
 FIG. 3 is another perspective view thereof, wherein the laser system display is depicted in a first alternative operational state;
 FIG. 4 is another enlarged front plan view thereof, wherein the laser system display is depicted in the first alternative operational state;
 FIG. 5 is another perspective view thereof, wherein the laser system display is depicted in a second alternative operational state; and,
 FIG. 6 is another enlarged front plan view thereof, wherein the laser system display is depicted in the second alternative operational state.
 The broken lines are directed to environment and are for illustrative purposes only; the broken lines form no part of the claimed design.

1 Claim, 6 Drawing Sheets



(56)

References Cited

U.S. PATENT DOCUMENTS

8,195,313	B1 *	6/2012	Fadell	G06F 3/0482 700/83
D687,043	S *	7/2013	Matas	D14/485
D687,057	S *	7/2013	Plitkins	D14/488
8,850,348	B2 *	9/2014	Fadell	G06F 3/048 715/771
D841,163	S	2/2019	Di Sessa	
10,304,374	B2 *	5/2019	Di Sessa	G09G 3/30
2010/0082020	A1	4/2010	Gong	
2013/0330684	A1	12/2013	Dillon	
2015/0073399	A1	3/2015	Boitor	

* cited by examiner

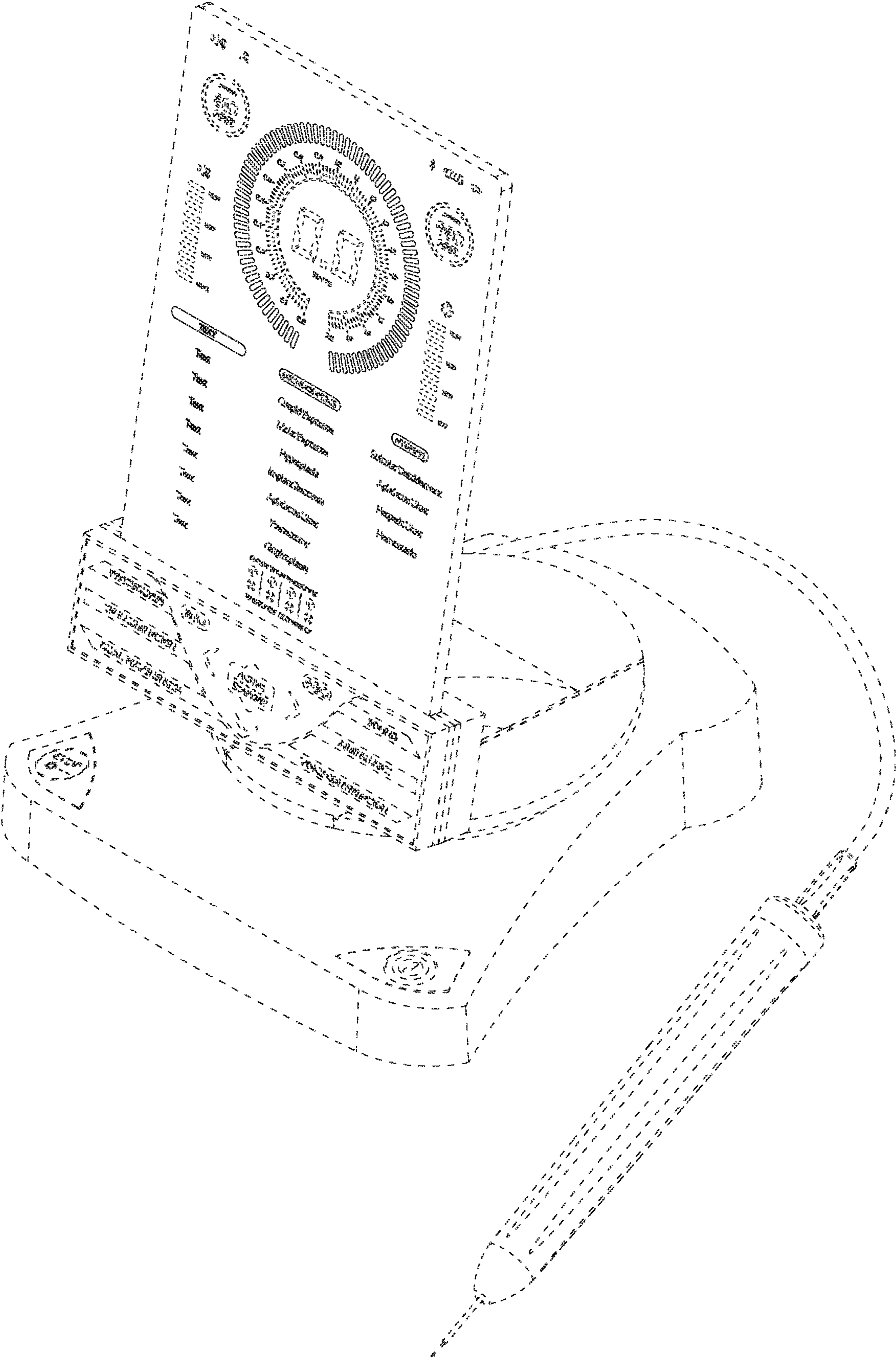


FIG. 1

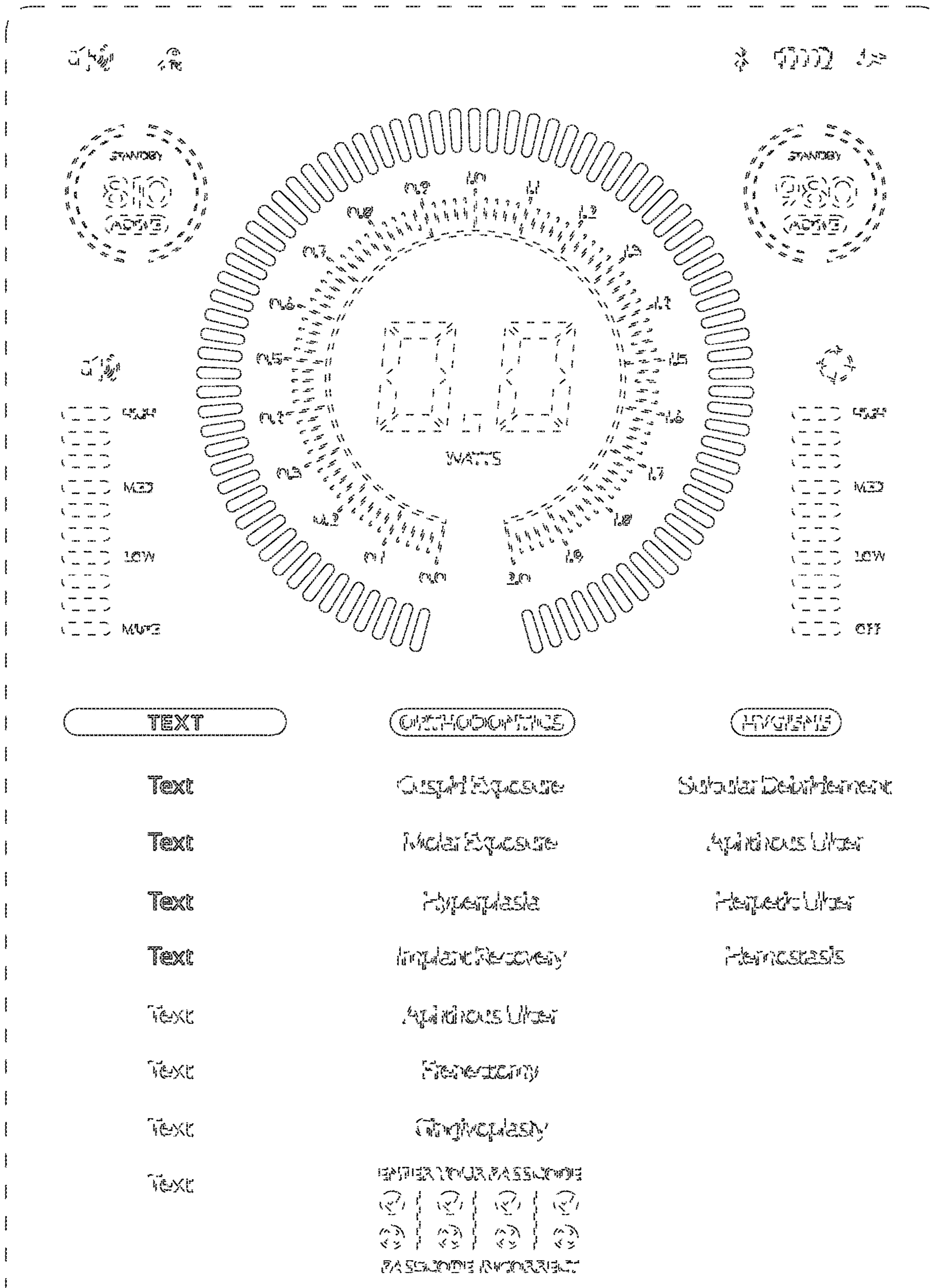


FIG. 2

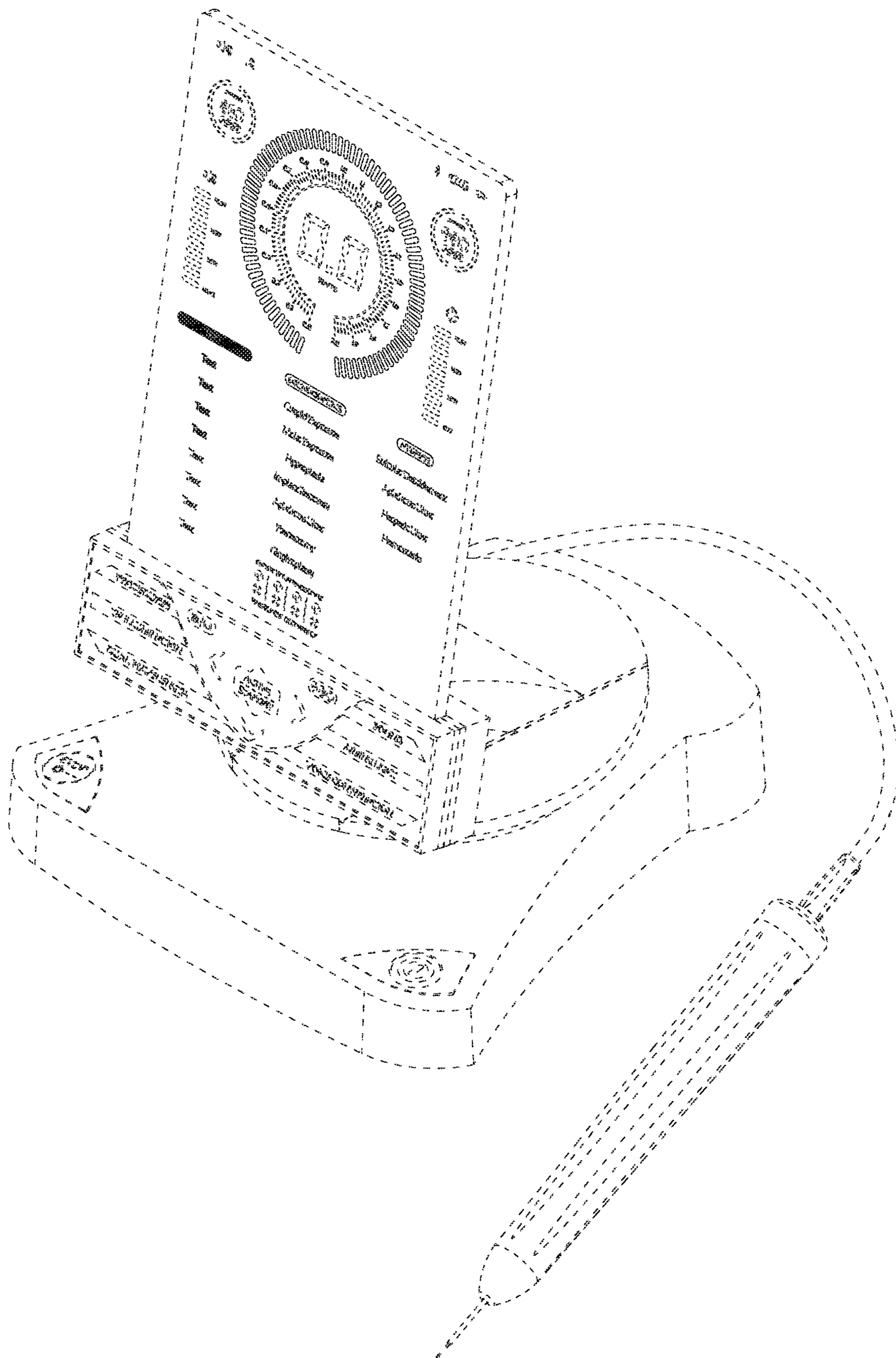


FIG. 3

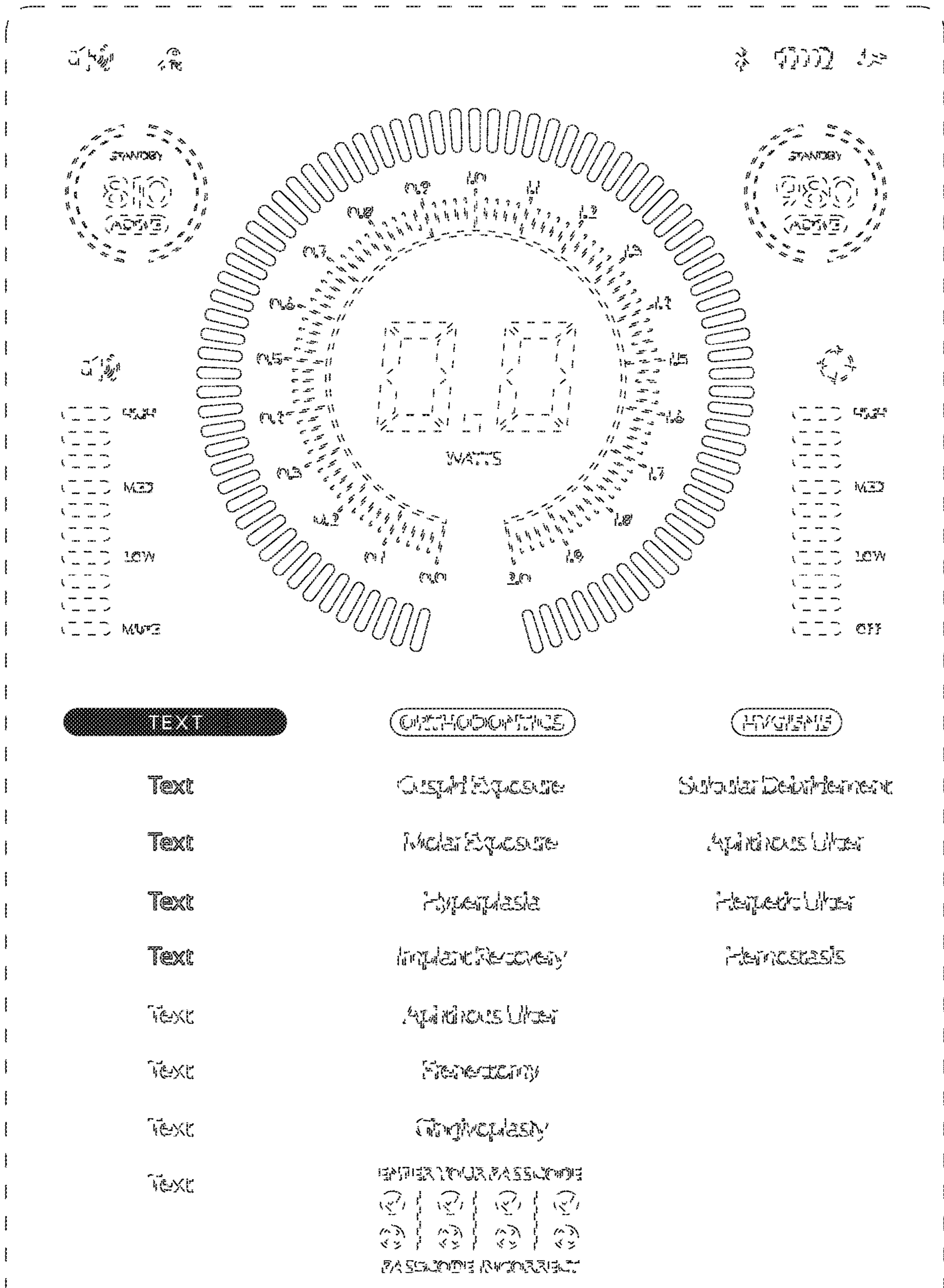


FIG. 4

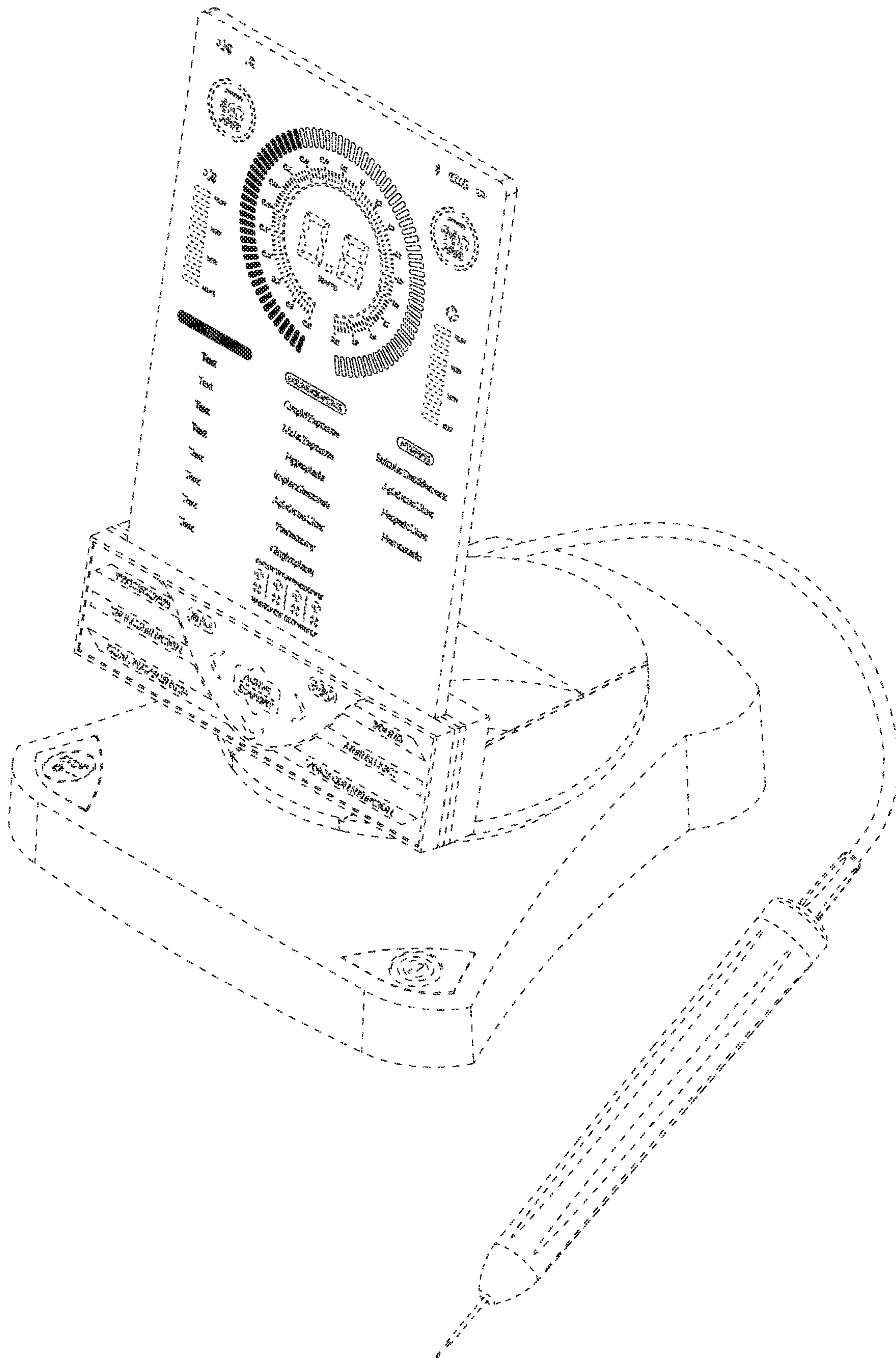


FIG. 5

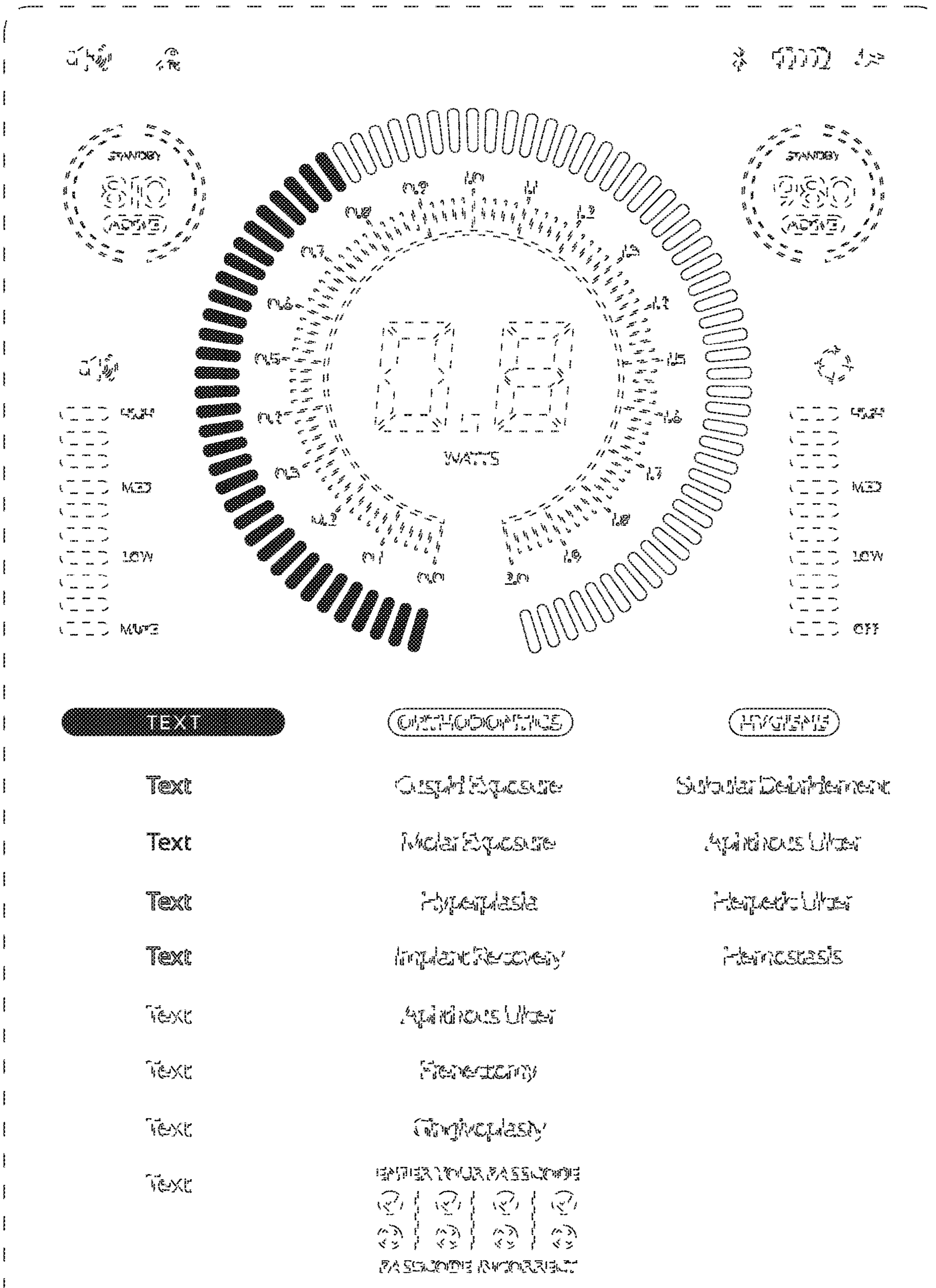


FIG. 6