



US00D873998S

(12) **United States Design Patent** (10) **Patent No.:** **US D873,998 S**
Harding et al. (45) **Date of Patent:** **** Jan. 28, 2020**

(54) **CATHETER ASSEMBLY AND NEEDLE COVER COVER**

(56) **References Cited**

U.S. PATENT DOCUMENTS

(71) Applicant: **Becton, Dickinson and Company**,
Franklin Lakes, NJ (US)
(72) Inventors: **Weston Harding**, Lehi, UT (US);
Stephen Bornhoft, Sandy, UT (US);
John Stokes, Pleasant View, UT (US);
Yiping Ma, Layton, UT (US); **Siddarth**
Shevgoor, Laguna Beach, CA (US);
Curt Bingham, Hyde Park, UT (US)

4,951,977 A * 8/1990 Shutt F16L 37/122
285/277
D351,227 S * 10/1994 Patton D24/112
D353,456 S * 12/1994 Fayngold D24/128
5,501,674 A 3/1996 Trombley, III et al.
D381,418 S 7/1997 Erskine et al.
D381,422 S 7/1997 Erskine et al.
5,713,876 A 2/1998 Bogert et al.
5,830,190 A * 11/1998 Howell A61M 25/0631
604/168.01
5,951,515 A 9/1999 Osterlind
6,004,294 A 12/1999 Brimhall et al.

(73) Assignee: **Becton, Dickinson and Company**,
Franklin Lakes, NJ (US)

(Continued)

(**) Term: **15 Years**
(21) Appl. No.: **29/696,955**
(22) Filed: **Jul. 2, 2019**

FOREIGN PATENT DOCUMENTS

WO WO-02068022 A1 9/2002
WO WO-2010061405 A2 6/2010
WO WO-2013137348 A1 9/2013

Primary Examiner — David G Muller
(74) *Attorney, Agent, or Firm* — Dickinson Wright PLLC

(57) **CLAIM**

The ornamental design for a catheter assembly and needle cover, as shown and described.

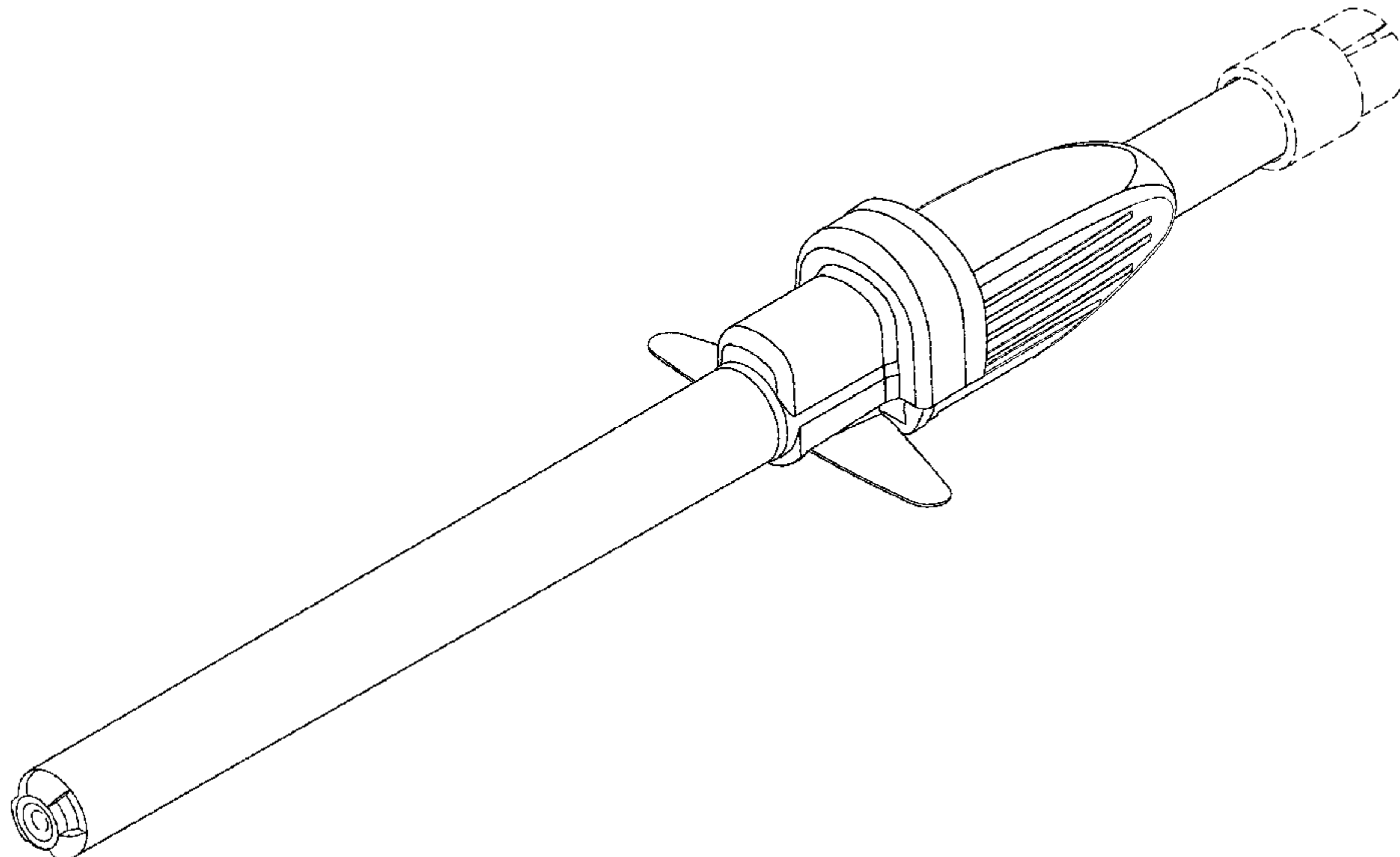
DESCRIPTION

FIG. 1 is a top perspective view of a catheter assembly and needle cover embodying our new design;
FIG. 2 is a bottom perspective view thereof;
FIG. 3 is a top plan view thereof;
FIG. 4 is a side elevation view thereof;
FIG. 5 is an opposite side elevation view thereof;
FIG. 6 is a bottom plan view thereof;
FIG. 7 is a front elevation view thereof; and,
FIG. 8 is a rear elevation view thereof.
The ornamental design that is claimed is shown in solid lines in the drawings. The broken lines in the drawings represent portions of the catheter assembly and needle cover that form no part of the claimed design.

Related U.S. Application Data

(62) Division of application No. 29/591,961, filed on Jan. 25, 2017, now Pat. No. Des. 858,755.
(51) **LOC (12) Cl.** **24-02**
(52) **U.S. Cl.**
USPC **D24/130**
(58) **Field of Classification Search**
USPC D24/127-131, 112-114, 133, 186;
606/181, 185; 604/264, 523-528, 272,
604/187, 158, 164.01-164.11, 181, 184,
604/227; 600/101, 139, 143;
128/200.24, 207.14, 207.15
CPC A61M 25/00; A61M 39/00; A61M 27/00;
A61M 25/0043; A61M 25/0067; A61M
25/0097; A61F 2/958
See application file for complete search history.

1 Claim, 5 Drawing Sheets



US D873,998 S

Page 2

(56)

References Cited

U.S. PATENT DOCUMENTS

6,379,333 B1 *	4/2002	Brimhall	A61M 5/3273	604/110	D655,406 S	3/2012	Ma et al.	
D459,802 S	7/2002	Cindrich			8,235,945 B2	8/2012	Baid	
6,652,486 B2 *	11/2003	Bialecki	A61M 25/0618	604/110	8,585,644 B2 *	11/2013	Rodriguez Lelis	A61M 25/0113
6,652,490 B2 *	11/2003	Howell	A61M 5/3273	604/110				604/110
D492,031 S	6/2004	Cindrich et al.			8,591,467 B2	11/2013	Walker et al.	
6,749,588 B1	6/2004	Howell et al.			9,011,382 B2 *	4/2015	Nilsson	A61M 25/0606
D491,266 S	7/2004	Cindrich et al.						604/164.02
D592,302 S	5/2009	Stokes et al.			9,056,188 B2	6/2015	Hager et al.	
7,530,965 B2	5/2009	Villa et al.			9,095,679 B2	8/2015	Nishimura et al.	
7,658,725 B2 *	2/2010	Bialecki	A61M 25/0606	604/164.08	D739,932 S *	9/2015	Ratjen	D24/113
					D752,214 S	3/2016	Limaye et al.	
7,722,569 B2	5/2010	Soderholm et al.			D755,371 S	5/2016	Limaye et al.	
7,753,887 B2 *	7/2010	Botich	A61M 25/0631	604/110	D802,748 S *	11/2017	Mills	D24/112
					2008/0140011 A1	6/2008	Hager et al.	
					2014/0303561 A1	10/2014	Li	
					2014/0364809 A1	12/2014	Isaacson et al.	
					2015/0238733 A1	8/2015	bin Abdulla	

* cited by examiner

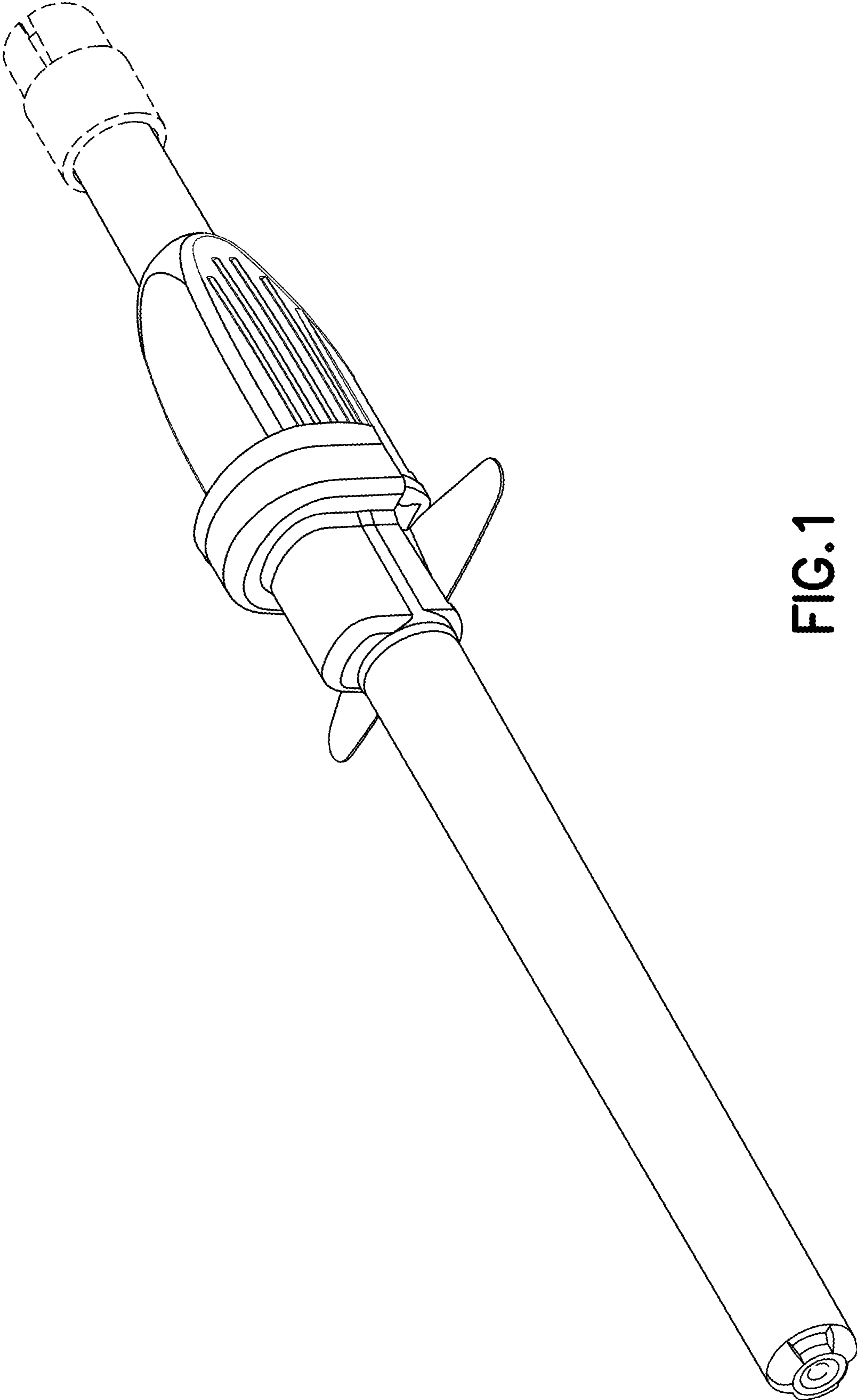


FIG.1

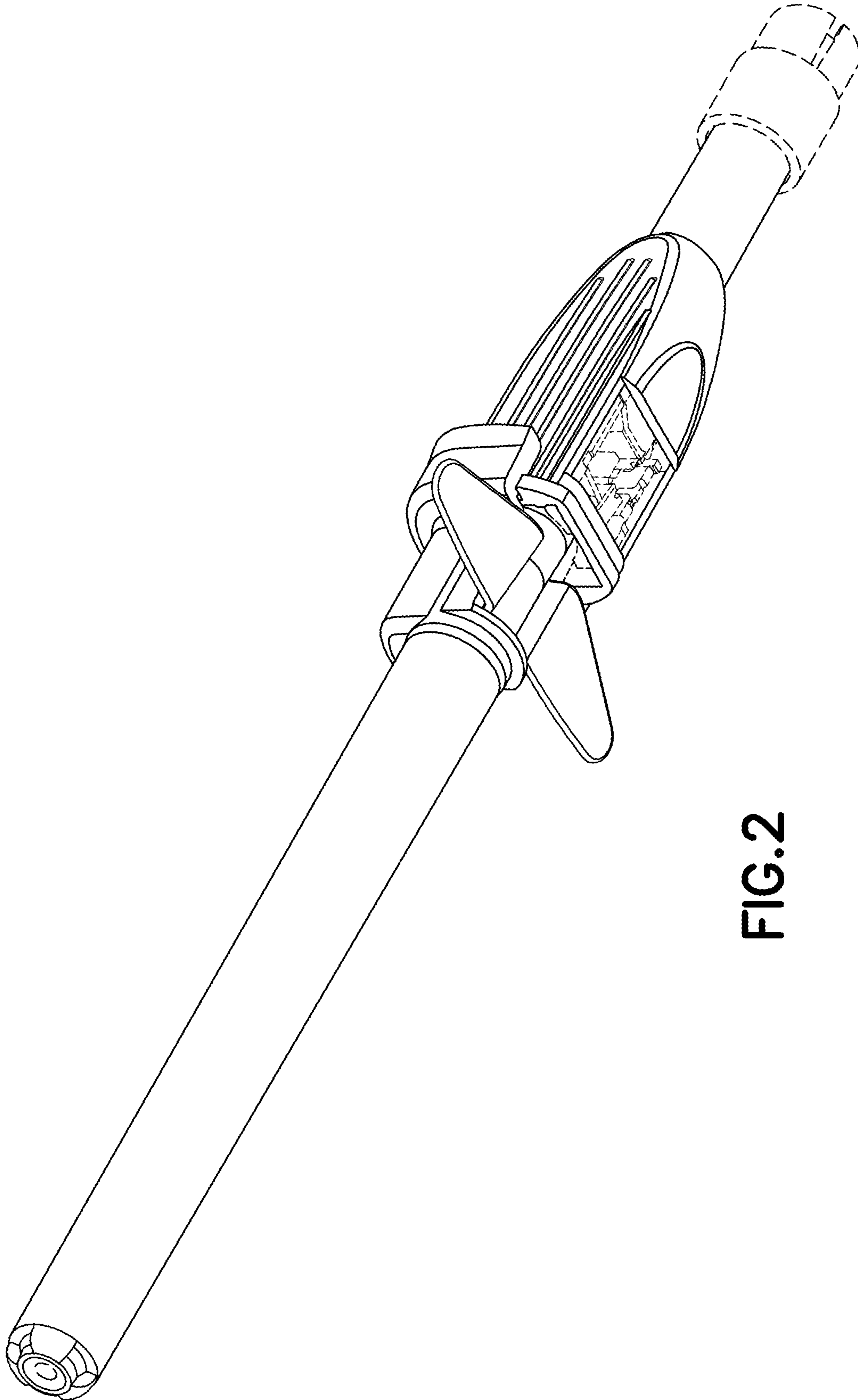


FIG.2

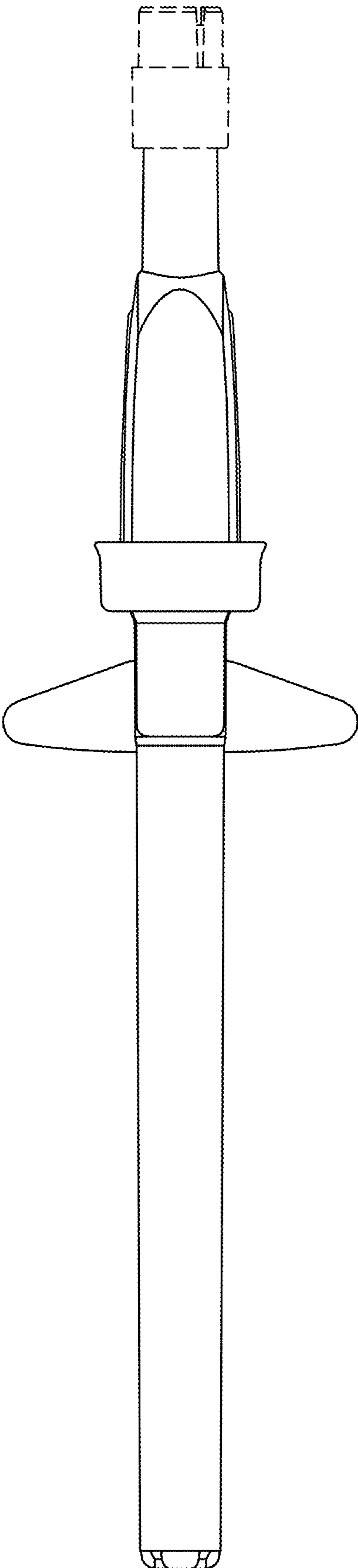


FIG. 3

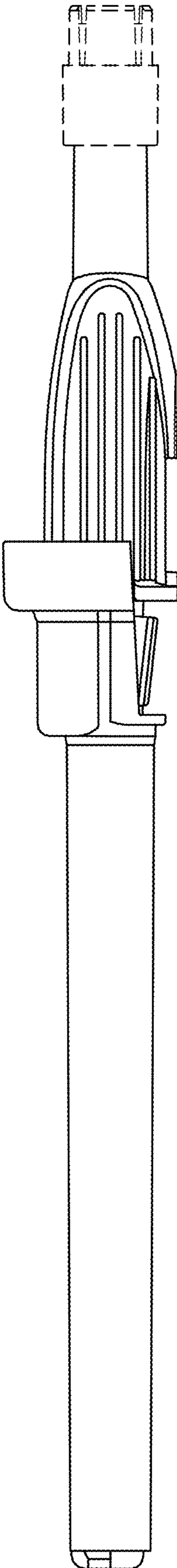


FIG. 4

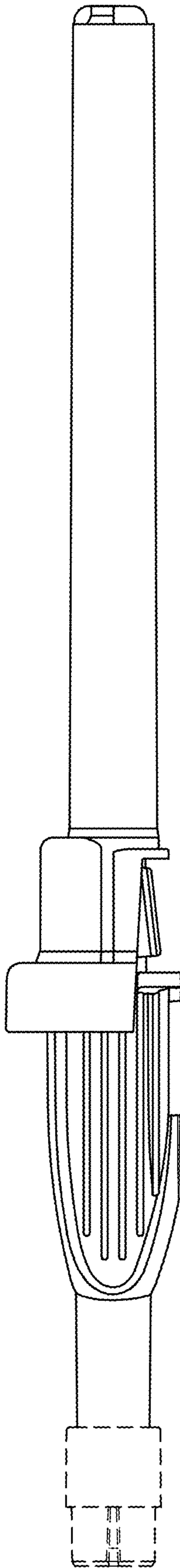


FIG. 5

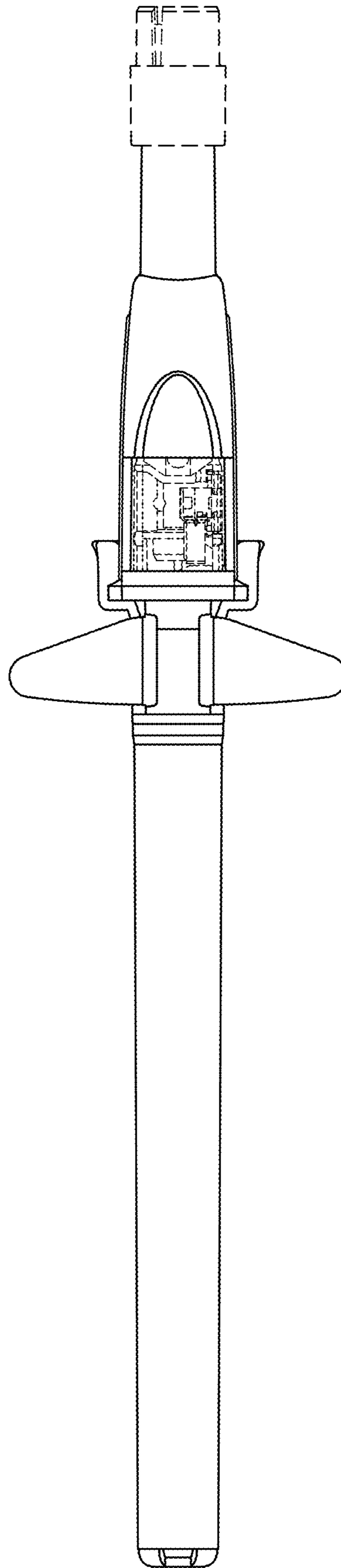


FIG. 6

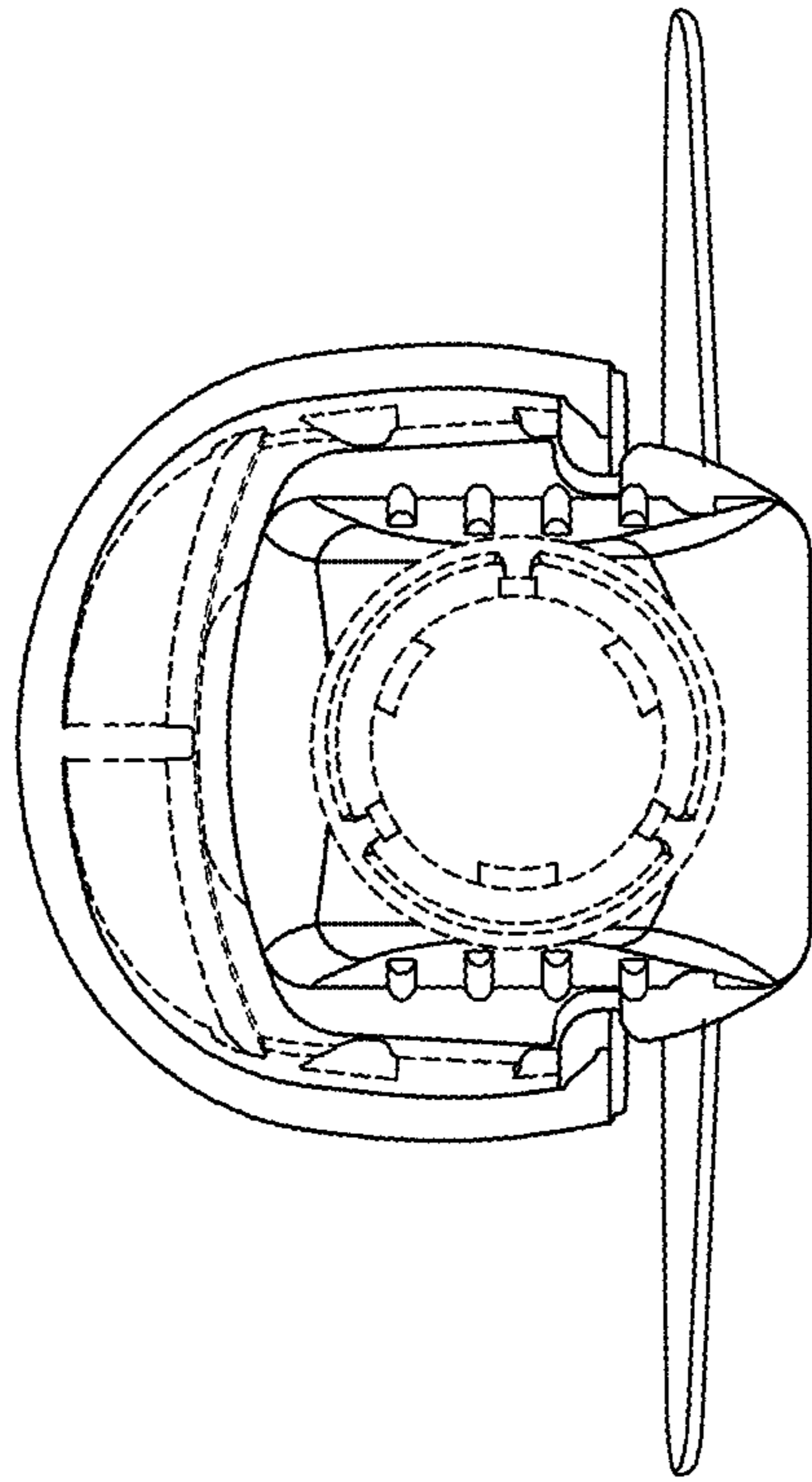


FIG. 8

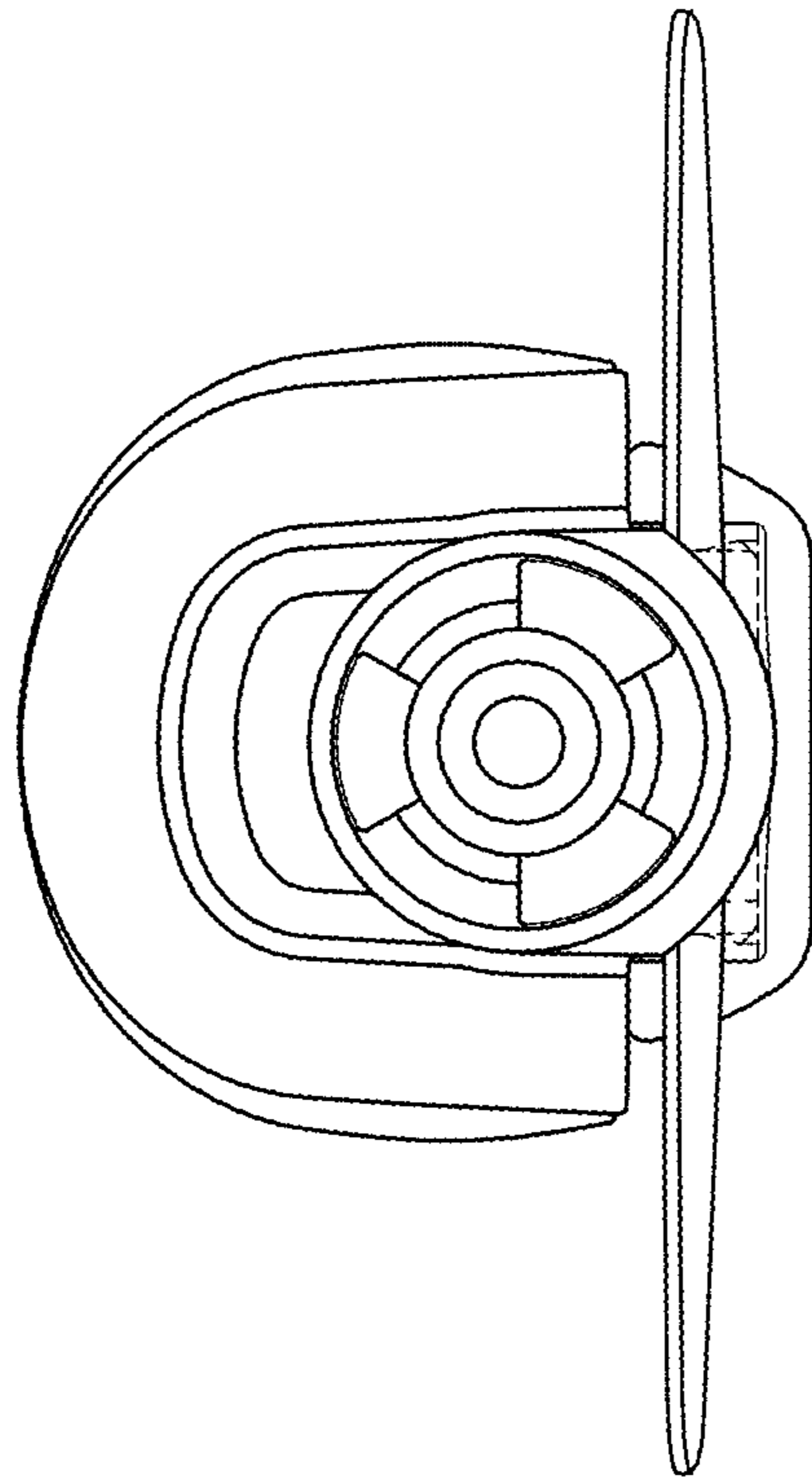


FIG. 7