



US00D873994S

(12) **United States Design Patent** (10) **Patent No.:** **US D873,994 S**
Hendrix et al. (45) **Date of Patent:** **** Jan. 28, 2020**

- (54) **MEDICAL FLUID BASIN**
- (71) Applicant: **Microtek Medical, Inc.**, Columbus, MS (US)
- (72) Inventors: **Heidi Frances Hendrix**, Atlanta, GA (US); **David Richard Rawlings**, Cumming, GA (US); **Antonio Belton**, Chicago, IL (US); **Elvis Campana**, Chantilly, VA (US)
- (73) Assignee: **Microtek Medical, Inc.**, Columbus, MS (US)
- (**) Term: **15 Years**
- (21) Appl. No.: **29/619,200**
- (22) Filed: **Sep. 27, 2017**
- (51) **LOC (12) Cl.** **24-02**
- (52) **U.S. Cl.**
USPC **D24/121**
- (58) **Field of Classification Search**
USPC D24/121–123, 117; D23/276, 295, 284, D23/277; 4/450–460, 488, 492, 493, 513, 4/538, 553, 905, 144.1–144.4, DIG. 5; D9/502, 428, 429, 425, 431, 562; D7/500, 587, 586, 545, 584; D30/129, D30/128, 131, 132, 121; 604/317, 319
CPC A61B 46/10; A61F 7/0241; A61F 7/0085
See application file for complete search history.

(56) **References Cited**
U.S. PATENT DOCUMENTS

3,777,749 A	12/1973	Collins
4,934,152 A	6/1990	Templeton
5,163,299 A	11/1992	Faries, Jr. et al.
5,331,820 A	7/1994	Faries, Jr. et al.
5,333,326 A	8/1994	Faries, Jr. et al.
5,400,616 A	3/1995	Faries, Jr. et al.
5,402,644 A	4/1995	Faries, Jr. et al.
5,429,801 A	7/1995	Faries, Jr. et al.

5,435,322 A	7/1995	Marshall
5,457,962 A	10/1995	Faries, Jr. et al.
5,502,980 A	4/1996	Faries, Jr. et al.
5,522,095 A	6/1996	Faries, Jr. et al.
5,524,643 A	6/1996	Faries, Jr. et al.
5,551,240 A	9/1996	Faries, Jr. et al.

(Continued)

FOREIGN PATENT DOCUMENTS

AU	2016200812 B2	11/2016
CA	2620906 A1	3/2006

(Continued)

OTHER PUBLICATIONS

International Patent Application No. PCT/US2017/024183, International Search Report and Written Opinion dated Jul. 17, 2017, 11 pages.

(Continued)

Primary Examiner — David G Muller
(74) *Attorney, Agent, or Firm* — Fredrikson & Byron, P.A.

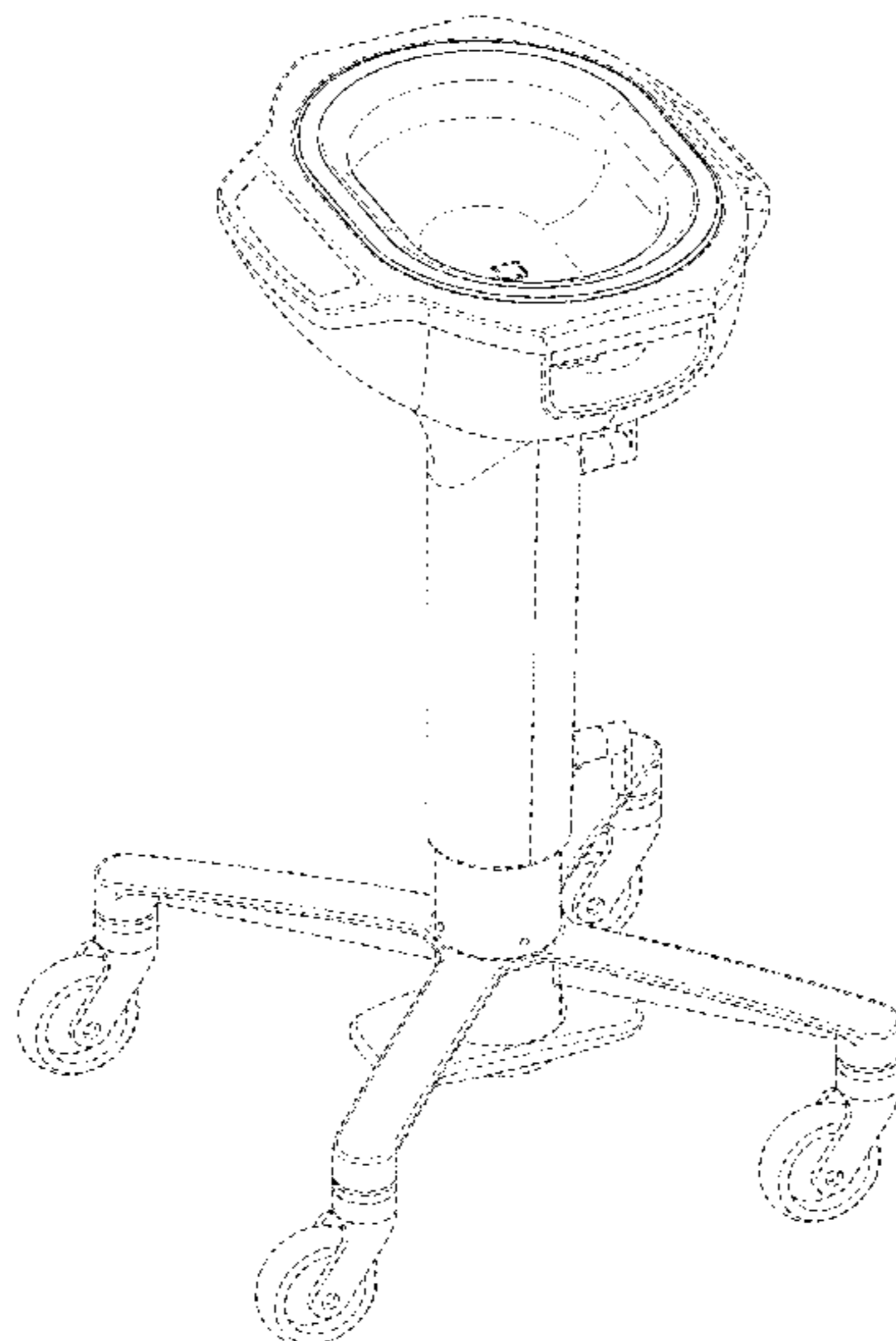
(57) **CLAIM**

We claim the ornamental design for a medical fluid basin, as shown and described.

DESCRIPTION

FIG. 1 is a perspective view of our new design for a medical fluid basin;
 FIG. 2 is a front view thereof;
 FIG. 3 is a rear view thereof;
 FIG. 4 is a left side view thereof;
 FIG. 5 is a right side view thereof;
 FIG. 6 is a top view thereof; and,
 FIG. 7 is a bottom view thereof.
 The broken lines shown on FIGS. 1-7 illustrate portions of the medical fluid basin that form no part of the claimed design.

1 Claim, 7 Drawing Sheets



(56)

References Cited

U.S. PATENT DOCUMENTS

5,615,423 A 4/1997 Faries, Jr. et al.
 5,653,938 A 8/1997 Faries, Jr. et al.
 5,682,264 A 10/1997 Cleveland et al.
 5,809,788 A 9/1998 Faries, Jr. et al.
 5,816,252 A 10/1998 Faries, Jr. et al.
 5,857,467 A 1/1999 Faries, Jr. et al.
 D405,875 S * 2/1999 Slothower D23/284
 5,879,621 A 3/1999 Faries, Jr. et al.
 5,950,438 A 9/1999 Faries, Jr. et al.
 6,003,328 A 12/1999 Faries, Jr. et al.
 D421,124 S 2/2000 Yavitz
 6,035,855 A 3/2000 Faries, Jr. et al.
 6,087,636 A 7/2000 Faries, Jr. et al.
 6,091,058 A 7/2000 Faries, Jr. et al.
 D431,286 S * 9/2000 Kohler, Jr. D23/284
 D433,741 S * 11/2000 Singer D23/284
 6,255,627 B1 7/2001 Faries, Jr. et al.
 6,371,121 B1 4/2002 Faries, Jr. et al.
 6,615,836 B1 9/2003 Griesbach et al.
 D483,491 S 12/2003 Grady et al.
 6,810,881 B2 11/2004 Faries, Jr. et al.
 6,860,271 B2 3/2005 Faries, Jr.
 6,910,485 B2 6/2005 Faries, Jr. et al.
 6,918,395 B2 7/2005 Faries, Jr. et al.
 7,128,275 B2 10/2006 Kammer et al.
 7,176,030 B2 2/2007 Faries, Jr. et al.
 D546,943 S 7/2007 Kammer et al.
 D546,944 S 7/2007 Kammer et al.
 D547,179 S * 7/2007 Bouveret D9/428
 D547,444 S 7/2007 Kammer et al.
 7,347,210 B2 3/2008 Faries, Jr. et al.
 7,350,373 B1 4/2008 Faries, Jr. et al.
 D568,989 S 5/2008 Kammer et al.
 D569,970 S 5/2008 Kammer et al.
 7,398,738 B2 7/2008 Newhouse et al.
 7,418,966 B2 9/2008 Faries, Jr. et al.
 7,441,714 B2 10/2008 Kammer et al.
 7,459,657 B2 12/2008 Kammer et al.
 7,560,667 B2 7/2009 Kammer et al.
 7,671,302 B1 3/2010 Faries, Jr. et al.
 7,728,262 B1 6/2010 Faries, Jr. et al.
 7,854,387 B2 12/2010 Kammer et al.
 7,903,957 B2 3/2011 Kammer et al.
 7,959,860 B2 6/2011 Faries, Jr. et al.
 D645,738 S * 9/2011 Shiffer D9/425

D647,199 S * 10/2011 Kroiss D24/123
 D654,174 S 2/2012 Matthews et al.
 8,138,454 B2 3/2012 Kammer et al.
 8,148,667 B2 4/2012 Faries, Jr. et al.
 D679,548 S * 4/2013 Chen D7/545
 D698,426 S * 1/2014 Delaney 4/315
 D724,706 S * 3/2015 Meneghello D23/277
 D726,291 S * 4/2015 Spangler D23/277
 D731,304 S * 6/2015 Bischoff D9/425
 D738,720 S * 9/2015 Yang D9/428
 D756,769 S * 5/2016 Tuchrelo D9/425
 9,367,061 B2 6/2016 Miller et al.
 D764,871 S * 8/2016 Touchet D7/545
 D773,686 S 12/2016 Moore
 D779,643 S * 2/2017 Stauffer D23/284
 D789,786 S * 6/2017 Michalas D9/425
 D811,215 S * 2/2018 Wu D9/428
 D814,293 S * 4/2018 Tyberghein D9/425
 D821,604 S 6/2018 Tremblay et al.
 D824,248 S * 7/2018 Tuchrelo D9/425
 D835,272 S 12/2018 Heni et al.
 D835,465 S * 12/2018 Son D7/545
 D854,186 S 7/2019 Thompson et al.
 2008/0017292 A1 1/2008 Gammons et al.
 2008/0152937 A1 6/2008 Kammer et al.
 2009/0112057 A1 4/2009 Kammer et al.
 2009/0113618 A1 5/2009 Slayton
 2009/0255540 A1 10/2009 Faries, Jr.
 2013/0152946 A1 6/2013 Sosnowski
 2014/0208986 A1 7/2014 Desroches et al.

FOREIGN PATENT DOCUMENTS

CA 2620907 A1 3/2006
 CN 201384756 Y 1/2010
 CN 202885227 U 4/2013
 EP 401591 A2 3/1993
 JP 2004333048 A 11/2004
 RU 2219950 C2 12/2003

OTHER PUBLICATIONS

International Patent Application No. PCT/US2017/024185, International Search Report and Written Opinion dated Jul. 17, 2017, 12 pages.

* cited by examiner

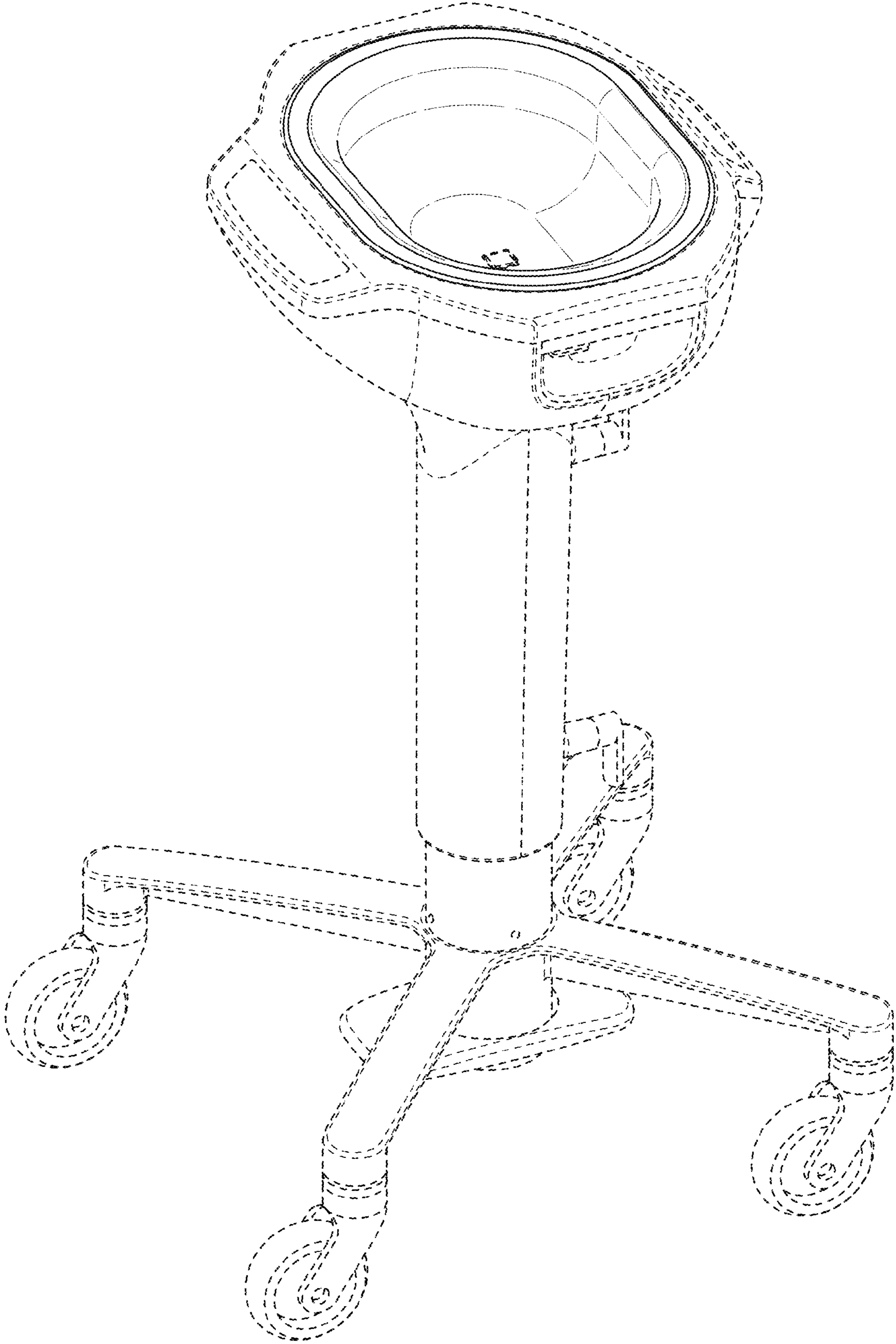


FIG. 1

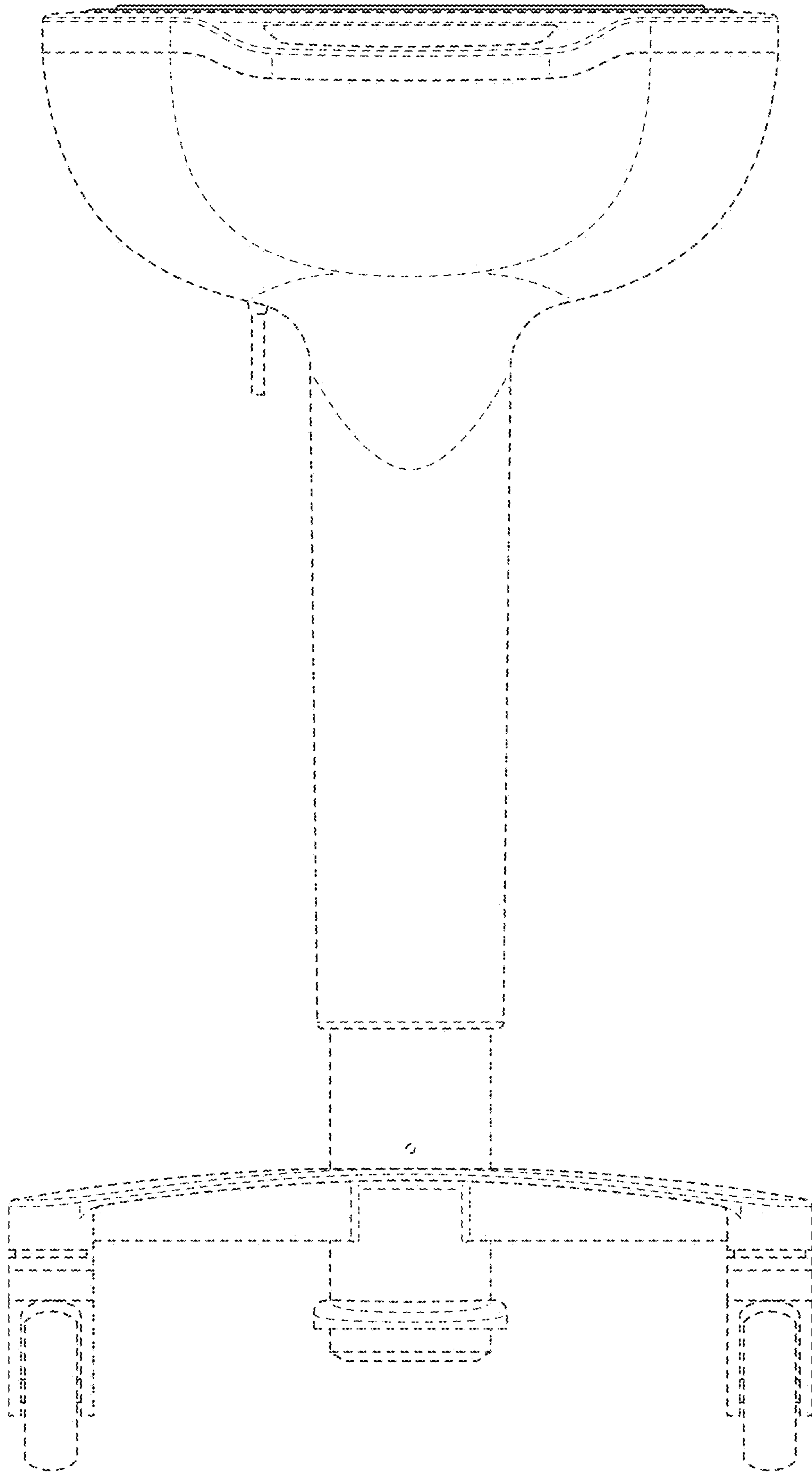


FIG. 2

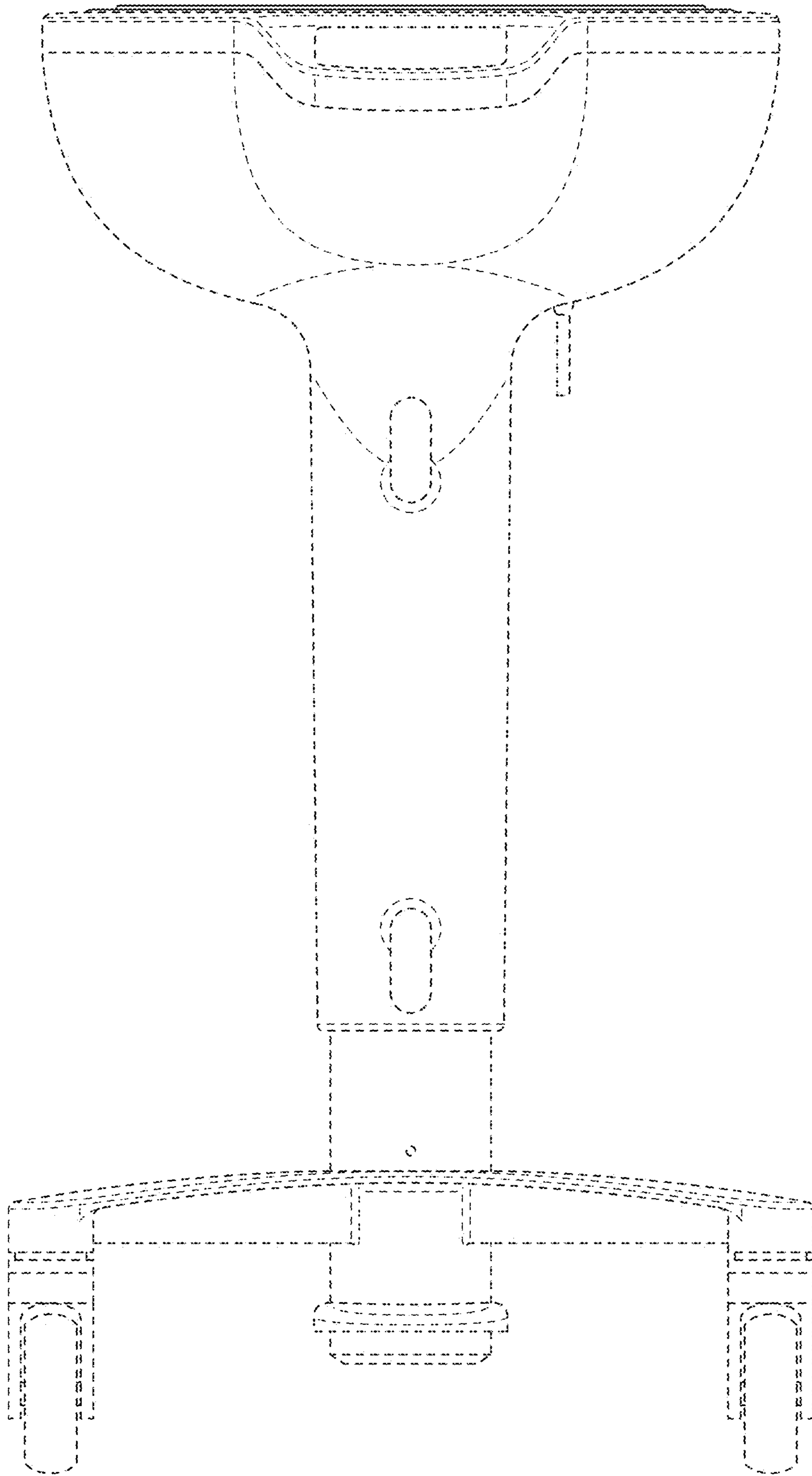


FIG. 3

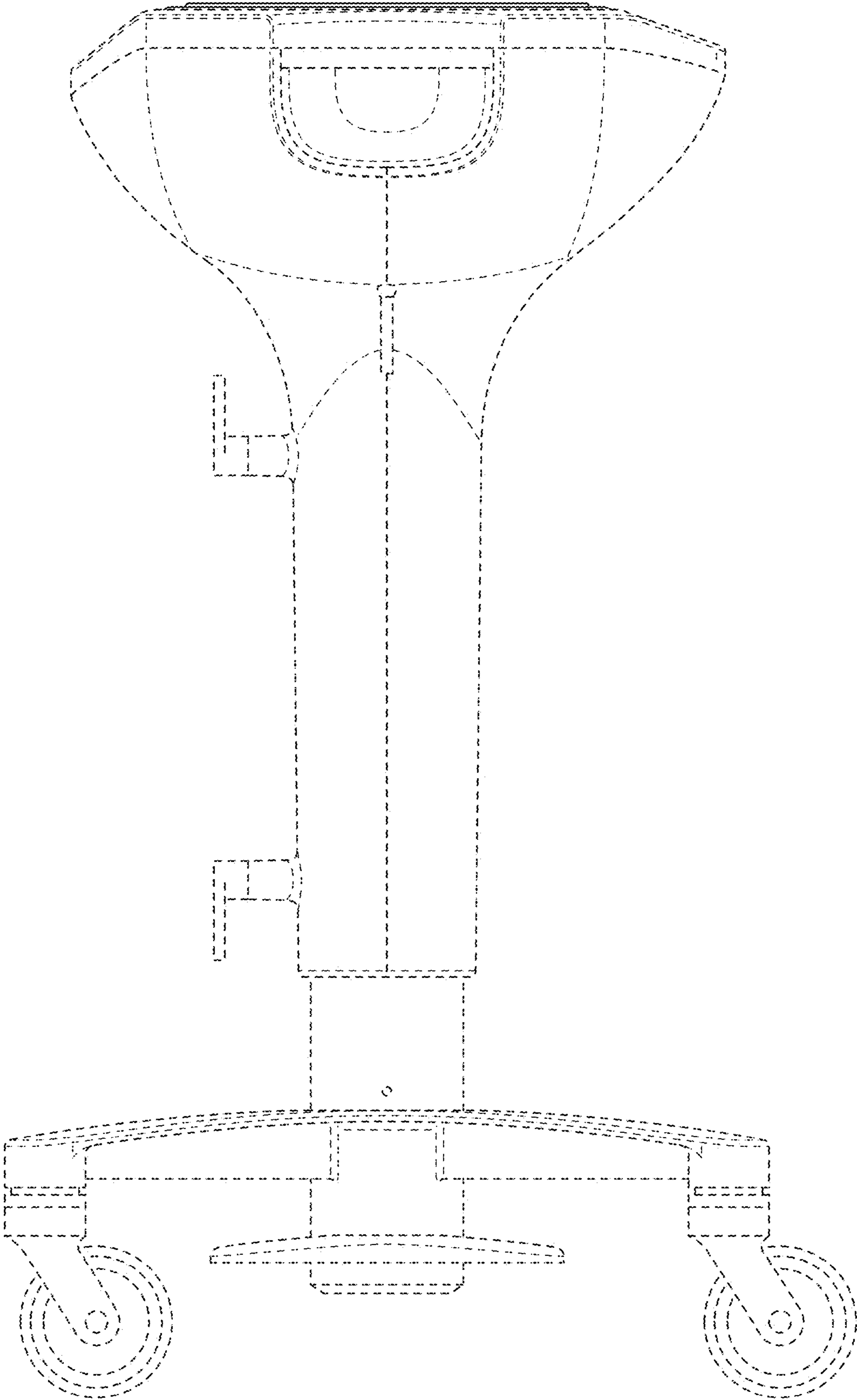


FIG. 4

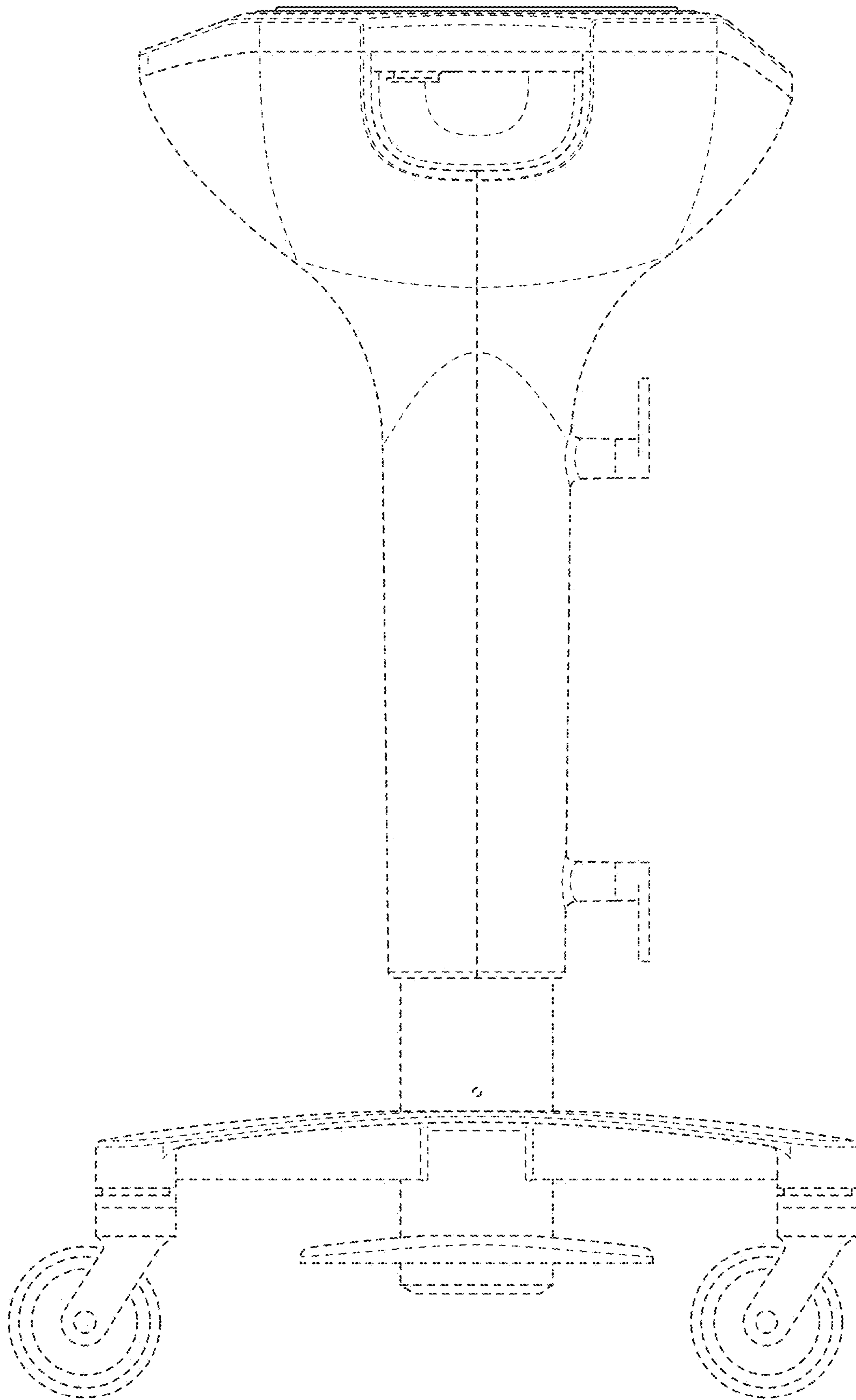


FIG. 5

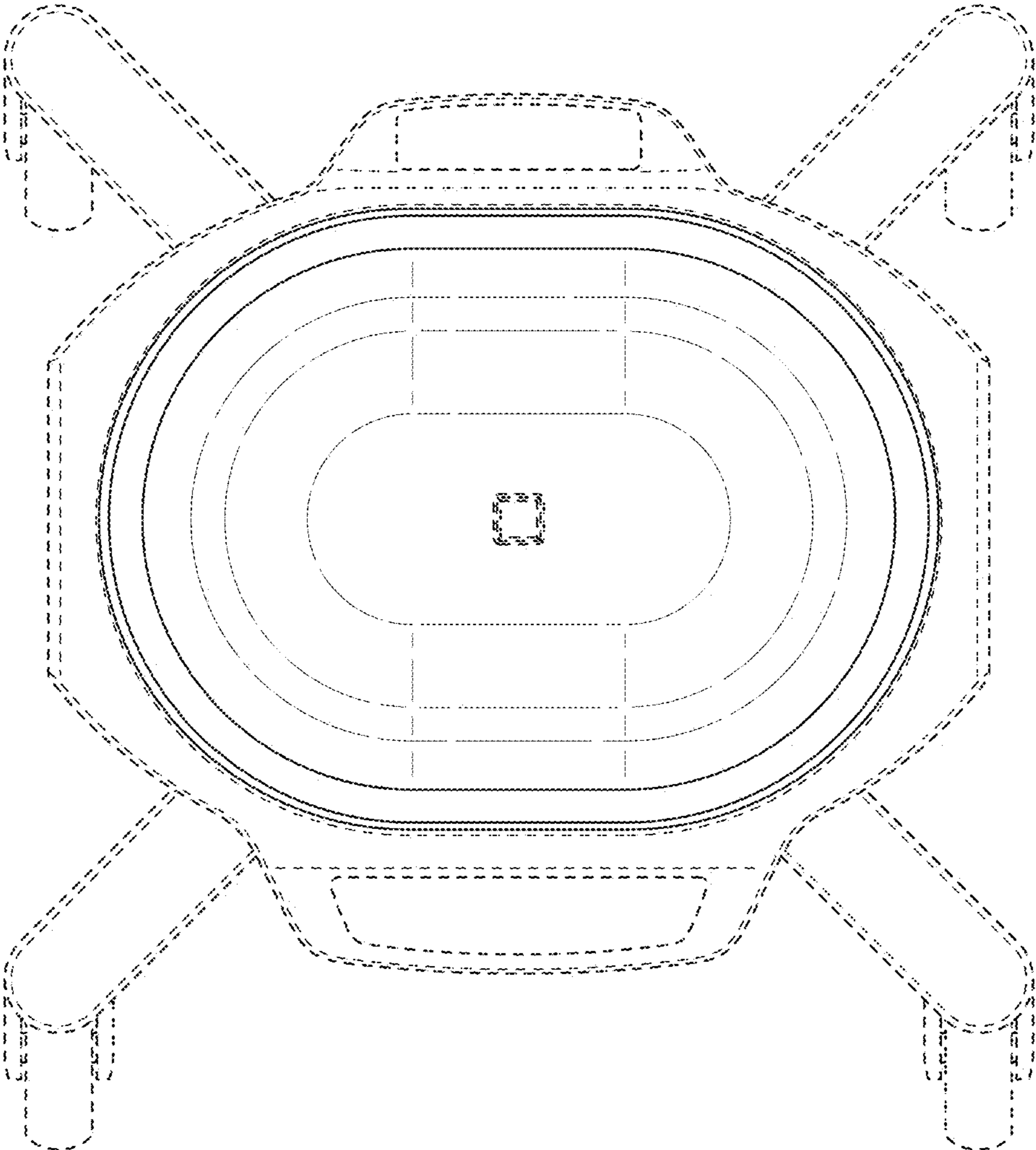


FIG. 6

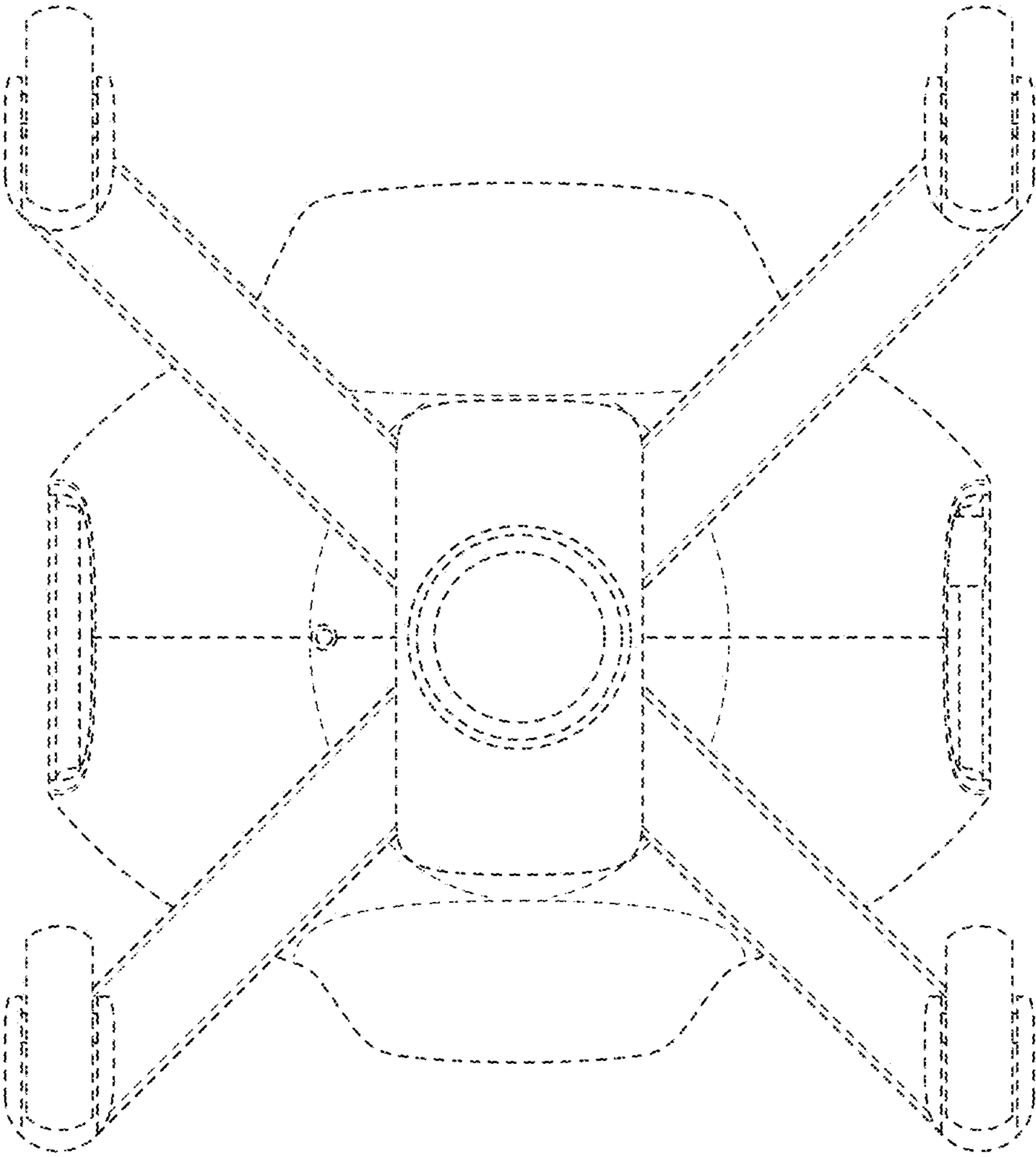


FIG. 7