

US00D873993S

(12) **United States Design Patent** (10) **Patent No.:** **US D873,993 S**
Barlow et al. (45) **Date of Patent:** **** Jan. 28, 2020**

(54) **PATIENT INTERFACE**

(71) Applicant: **ResMed Pty Ltd**, Bella Vista, New South Wales (AU)

(72) Inventors: **Adam Francis Barlow**, Sydney (AU); **William Laurence Hitchcock**, Sydney (AU); **Rupert Christian Scheiner**, Sydney (AU); **Gerard Michael Rummery**, Woodford (AU)

(73) Assignee: **ResMed Pty Ltd**, Bella Vista (AU)

(**) Term: **15 Years**

(21) Appl. No.: **29/680,684**

(22) Filed: **Feb. 19, 2019**

Related U.S. Application Data

(60) Continuation of application No. 29/581,879, filed on Oct. 24, 2016, now Pat. No. Des. 849,241, which is a (Continued)

(51) **LOC (12) Cl.** **29-02**

(52) **U.S. Cl.**
USPC **D24/110.4**

(58) **Field of Classification Search**
USPC D24/110–110.6, 127
(Continued)

(56) **References Cited**

U.S. PATENT DOCUMENTS

D464,426 S 10/2002 Palkon et al.
D487,510 S 3/2004 Guney et al.
(Continued)

OTHER PUBLICATIONS

Barlow et al., U.S. Appl. No. 29/581,879, filed Oct. 24, 2016, entitled “Patient Interface and/or Components Thereof”, (parent application).

Primary Examiner — Lilyana Bekic

(74) *Attorney, Agent, or Firm* — Nixon & Vanderhye P.C.

(57) **CLAIM**

The ornamental design for a patient interface, as shown and described.

DESCRIPTION

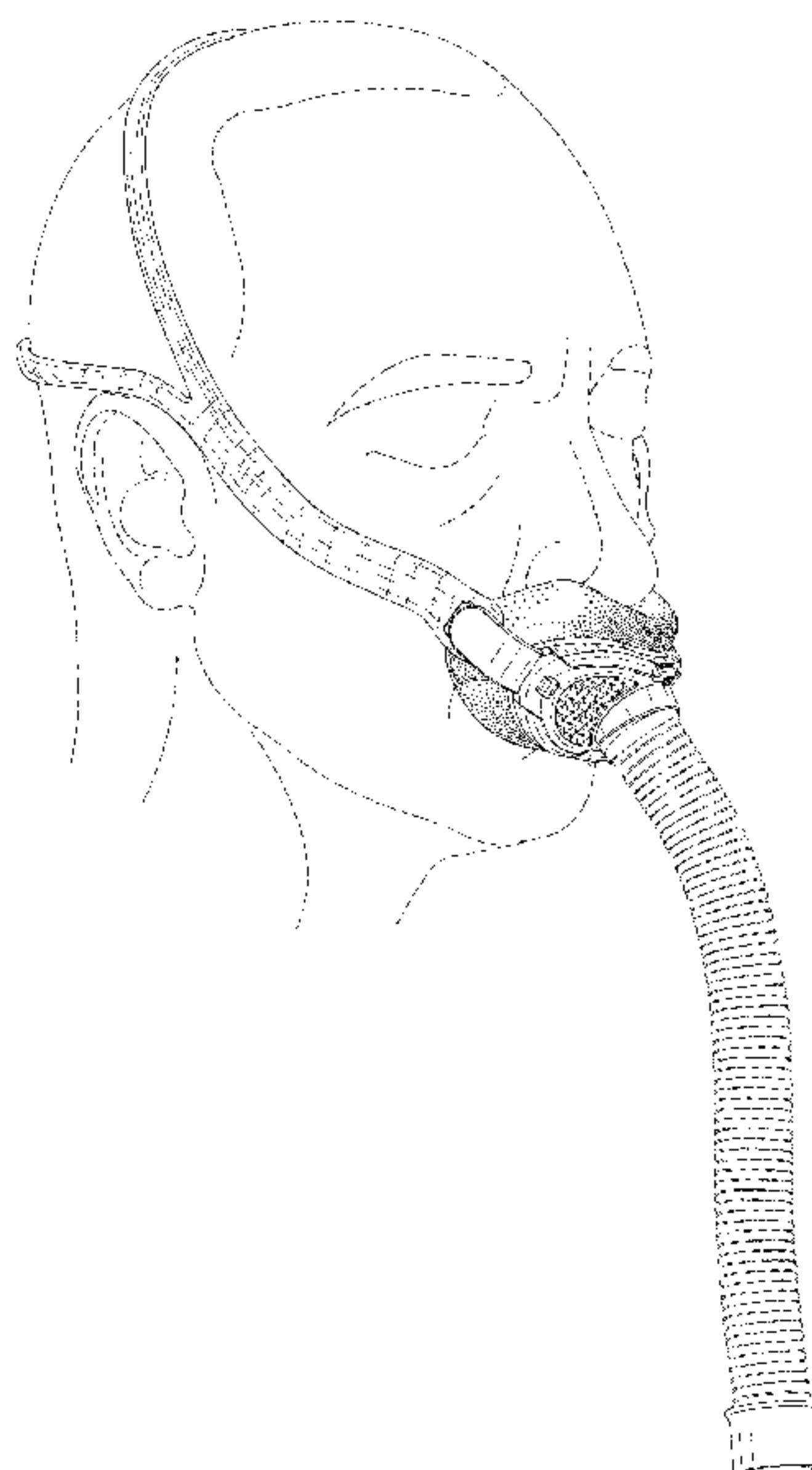
FIG. 1 is a perspective view of a patient interface showing a first embodiment according to our new design, with the straps spaced apart to fit an unclaimed model patient’s head; FIG. 2 is another perspective view thereof; FIG. 3 is a front view thereof; FIG. 4 is a rear view thereof; FIG. 5 is a top view thereof; FIG. 6 is a bottom view thereof; FIG. 7 is a right side view thereof; FIG. 8 is a left side view thereof; FIG. 9 is a perspective view of a patient interface showing a second embodiment according to our new design, with the straps spaced apart to fit an unclaimed model patient’s head; FIG. 10 is another perspective view thereof; FIG. 11 is a front view thereof; FIG. 12 is a rear view thereof; FIG. 13 is a top view thereof; FIG. 14 is a bottom view thereof; FIG. 15 is a right side view thereof; and, FIG. 16 is a left side view thereof.

The broken line showing of the model patient’s head in FIGS. 1 and 9 depicts the environment of the claimed design and forms no part thereof.

All other broken lines depict portions of the patient interface that form no part of the claimed design.

Line shading and stippling in FIGS. 1-8 have been used to indicate a contrast in appearance.

1 Claim, 14 Drawing Sheets



Related U.S. Application Data

division of application No. 29/479,487, filed on Jan. 16, 2014, now Pat. No. Des. 771,238.

(58) **Field of Classification Search**

CPC A61M 16/0622; A61M 16/0616; A61M 16/0816; A61M 16/08; A61M 16/0633; A61M 16/06; A61M 16/0666; A61M 2210/0618; A61M 16/0683

See application file for complete search history.

(56) **References Cited**

U.S. PATENT DOCUMENTS

D493,521 S 7/2004 Guney et al.
 D494,675 S 8/2004 Guney et al.
 D507,348 S 7/2005 Moore et al.
 D530,007 S 10/2006 Guney et al.
 D582,545 S 12/2008 Omura et al.
 D585,981 S 2/2009 Moore et al.
 D692,554 S 10/2013 Siew et al.
 D706,412 S 6/2014 Henry et al.
 D728,778 S 5/2015 Huth et al.
 D737,953 S 9/2015 Wells et al.

D739,009 S 9/2015 Hoge et al.
 D743,535 S 11/2015 Wells et al.
 D771,238 S 11/2016 Scheiner
 D797,921 S 9/2017 Huang
 D808,516 S 1/2018 Edwards
 10,039,894 B2 8/2018 Walls
 10,080,856 B2* 9/2018 McLaren A61M 16/06
 D849,241 S* 5/2019 Barlow D24/110.4
 2011/0259335 A1 10/2011 Sullivan
 2013/0199537 A1 8/2013 Formica et al.
 2014/0026890 A1 1/2014 Haskard et al.
 2015/0224274 A1 8/2015 Siew et al.
 2015/0283349 A1 10/2015 McLaren et al.
 2016/0074611 A1 3/2016 Higgins
 2016/0074614 A1 3/2016 Huddart
 2016/0151596 A1 6/2016 Slight
 2016/0166792 A1 6/2016 Allan
 2016/0213878 A1 7/2016 Browning, Jr.
 2016/0287830 A1 10/2016 Walls
 2016/0346496 A1 12/2016 Harrison
 2017/0281894 A1 10/2017 Walls
 2018/0304036 A1 10/2018 Huang
 2018/0318541 A1* 11/2018 Walls A61M 16/0683
 2019/0030272 A1* 1/2019 Graham A61M 16/0683
 2019/0151592 A1* 5/2019 Bornholdt A61M 16/0666

* cited by examiner

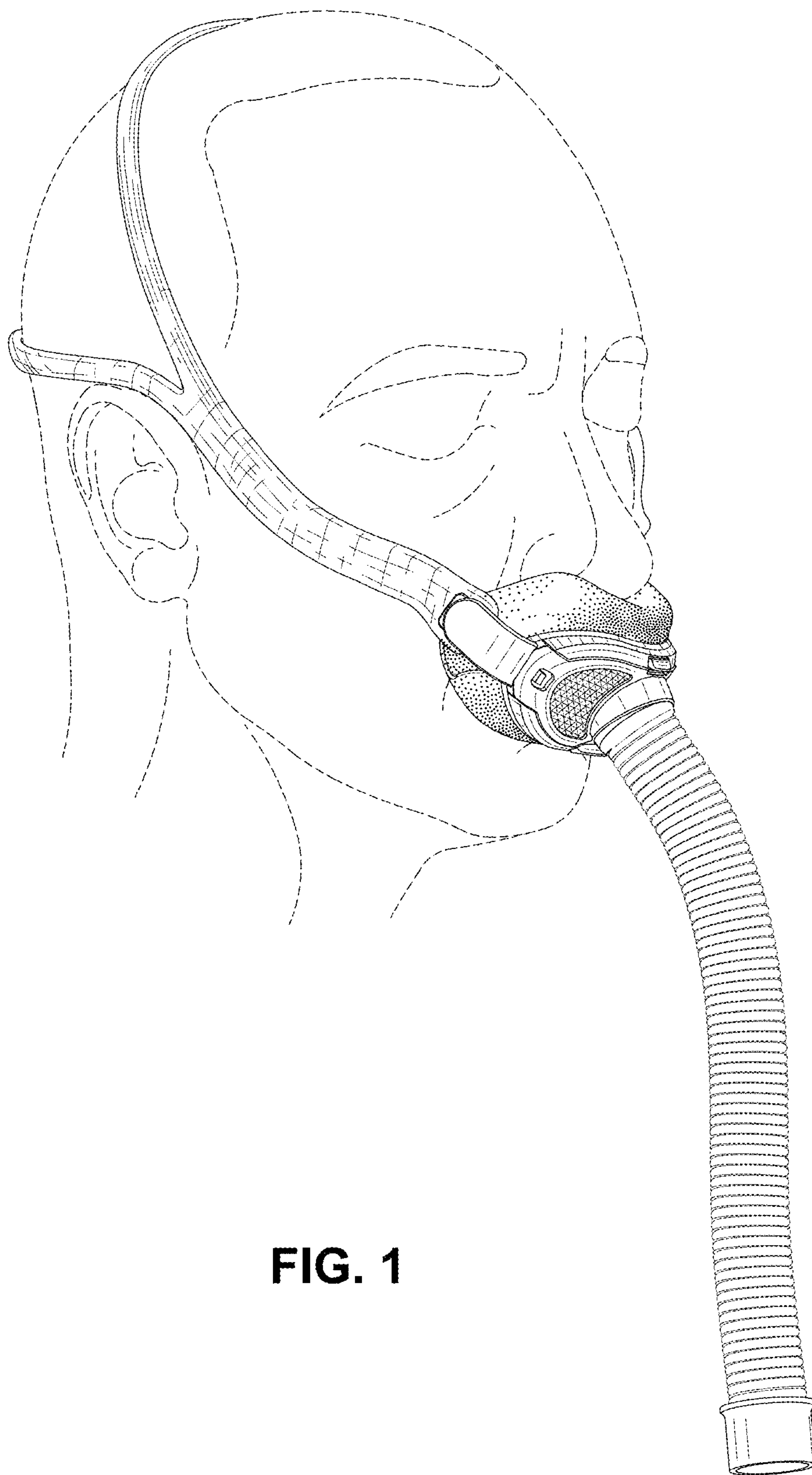


FIG. 1



FIG. 2

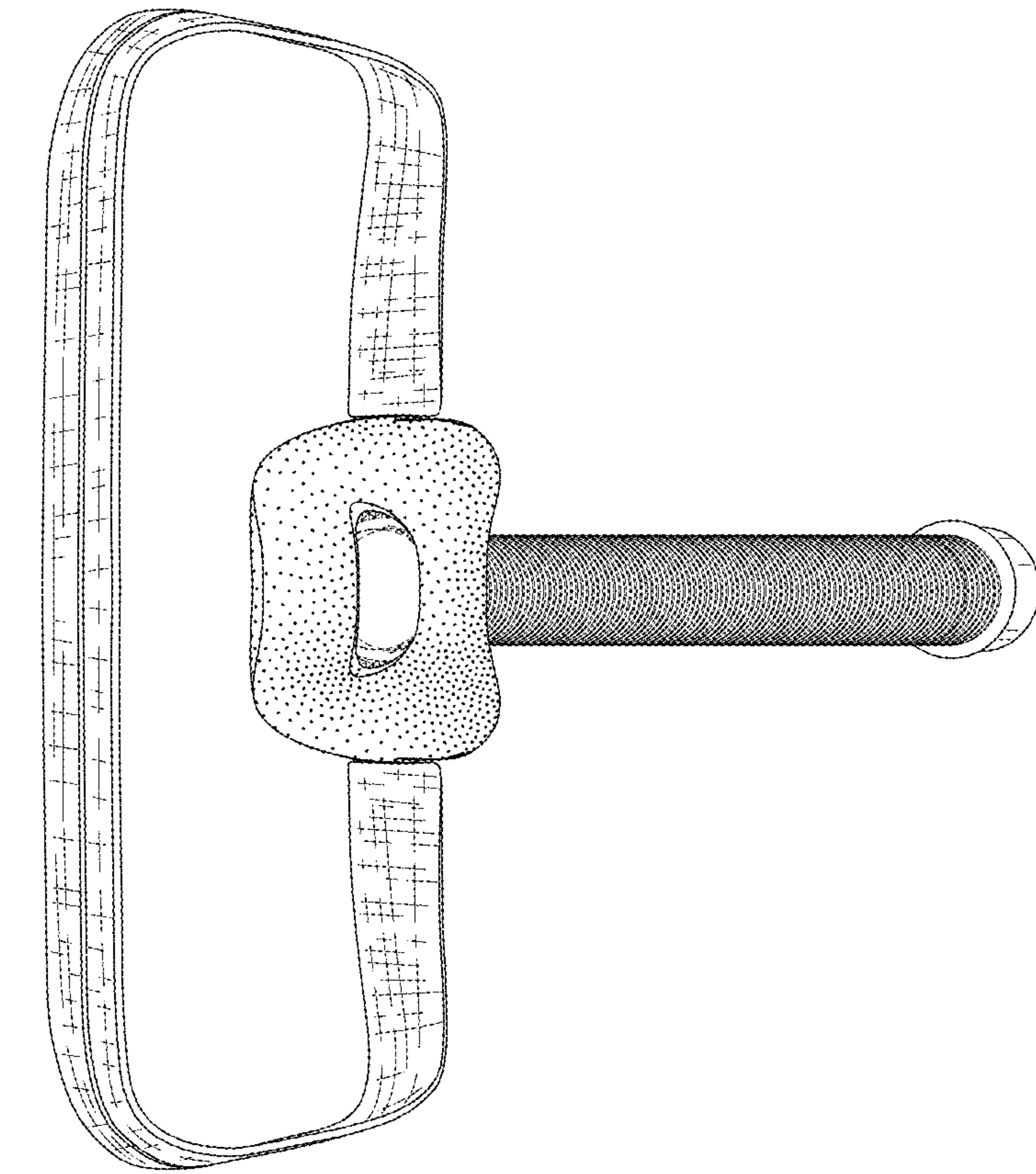


FIG. 4

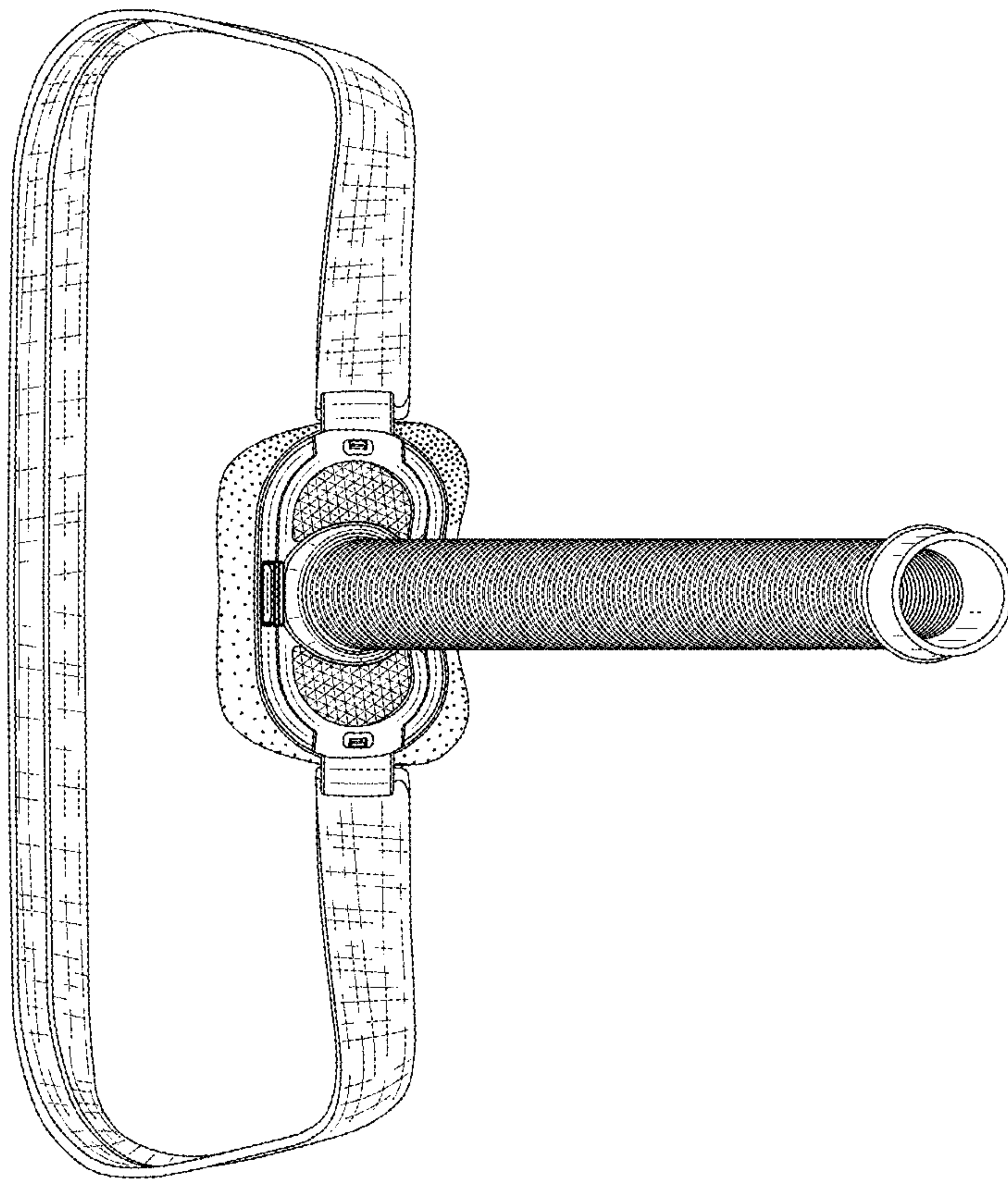


FIG. 3

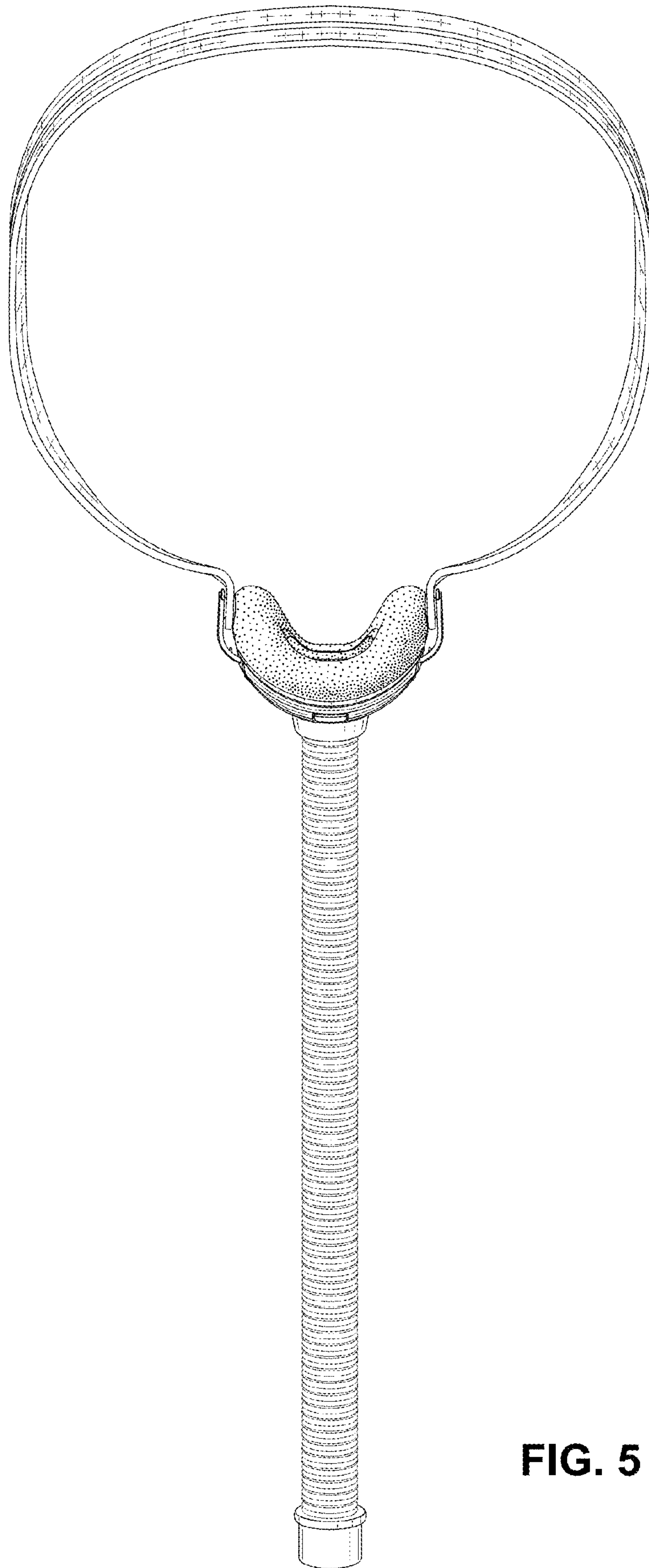


FIG. 5

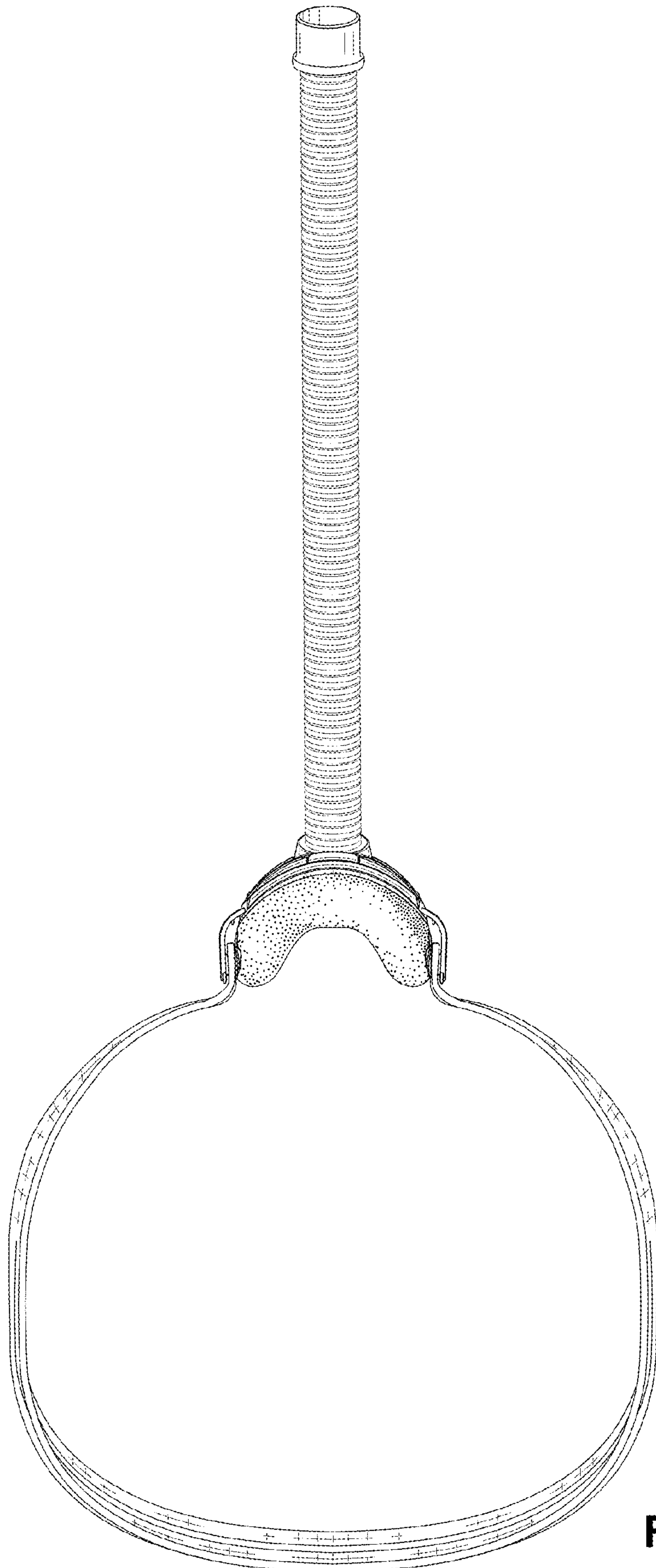


FIG. 6

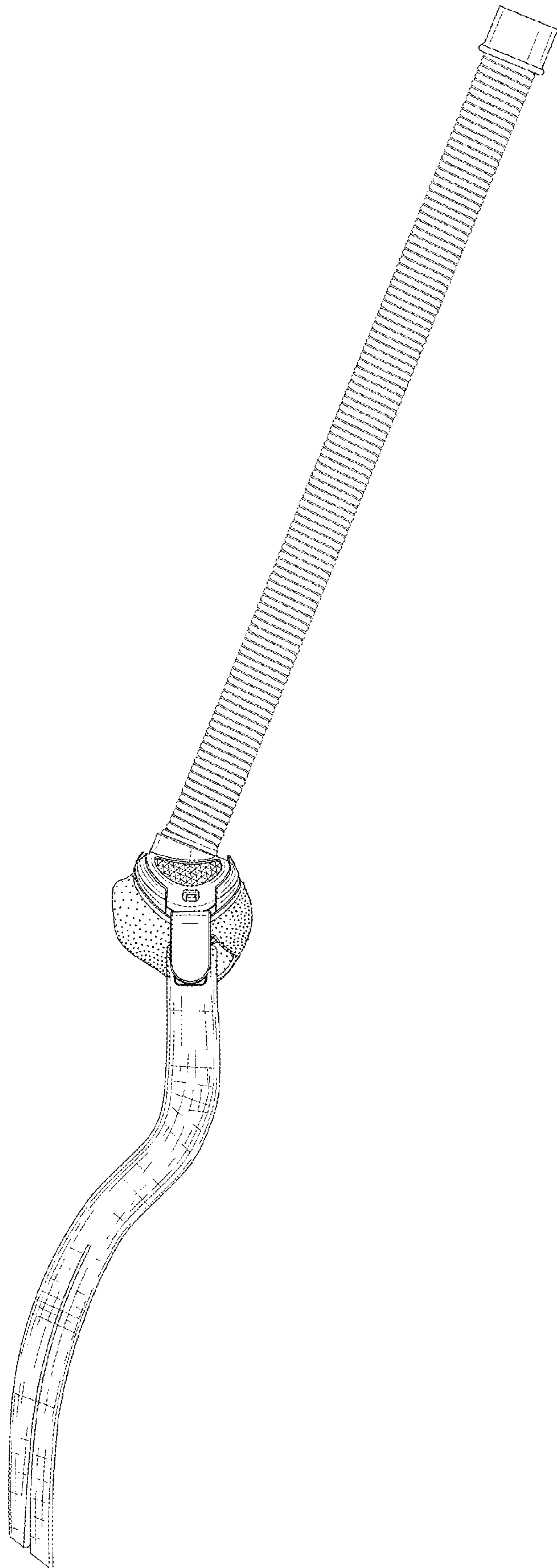


FIG. 7

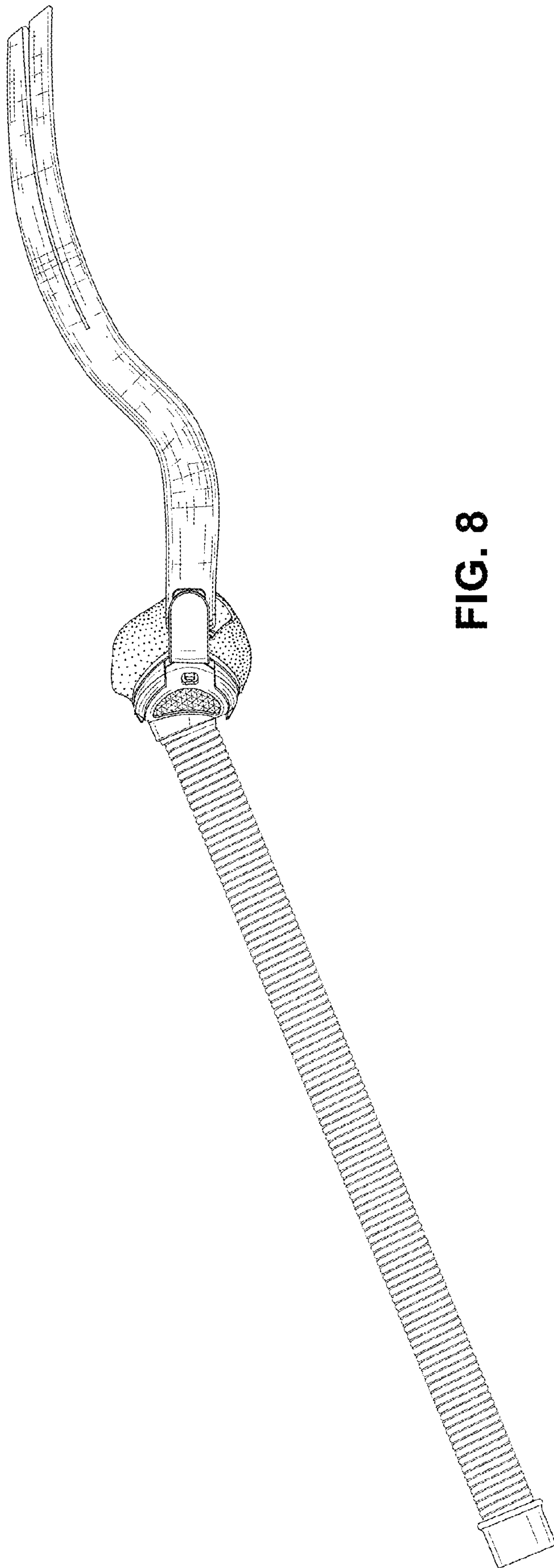


FIG. 8

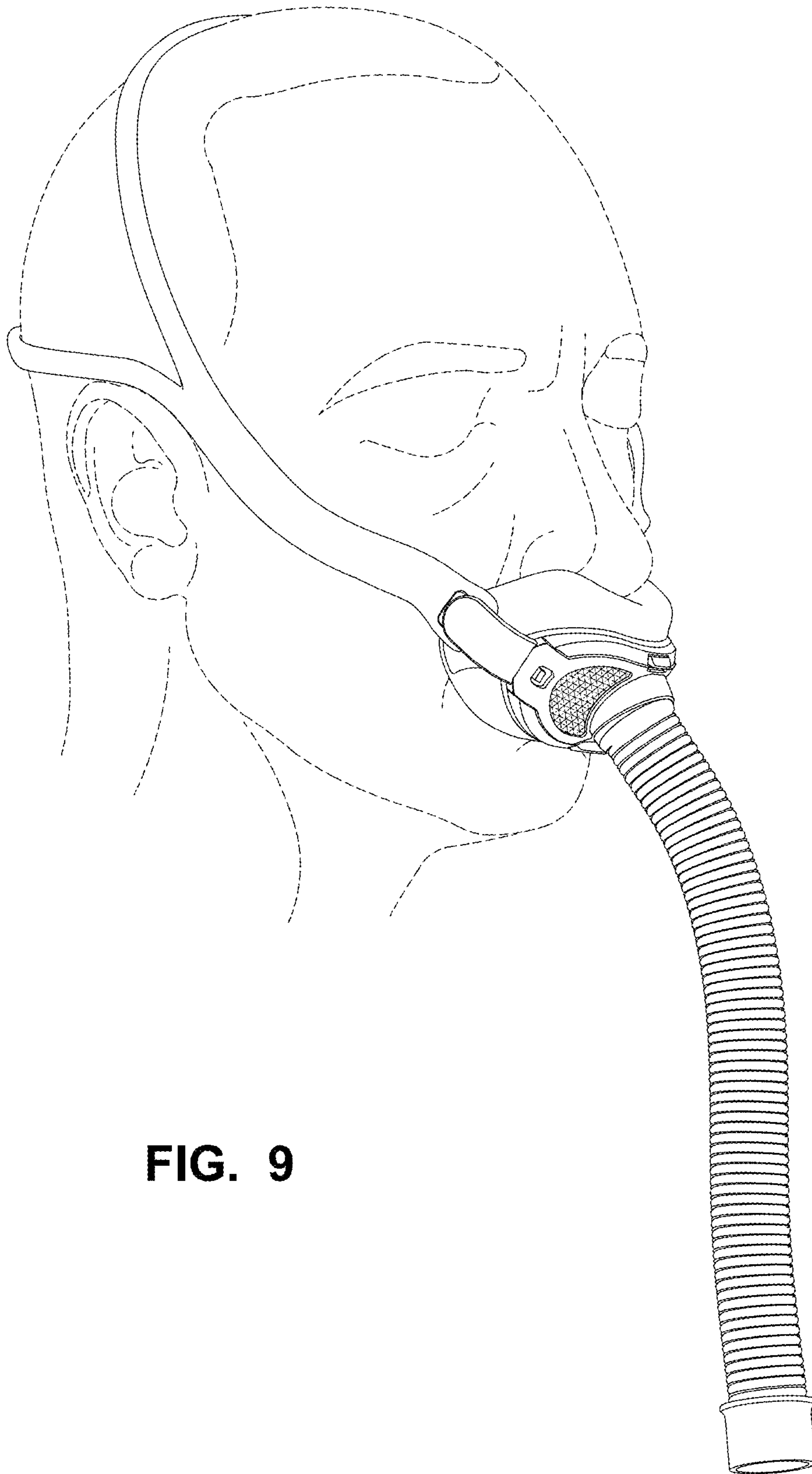


FIG. 9

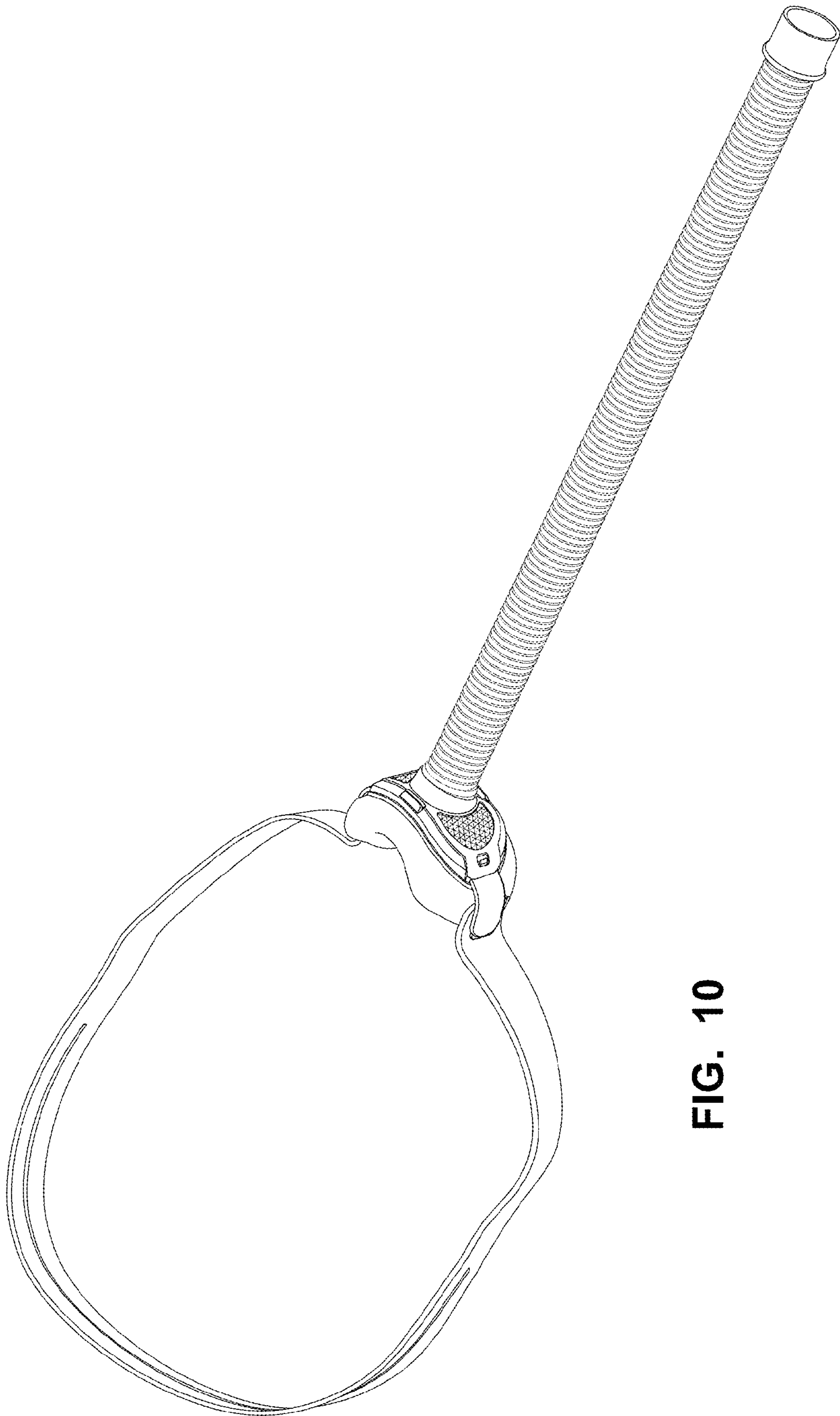


FIG. 10

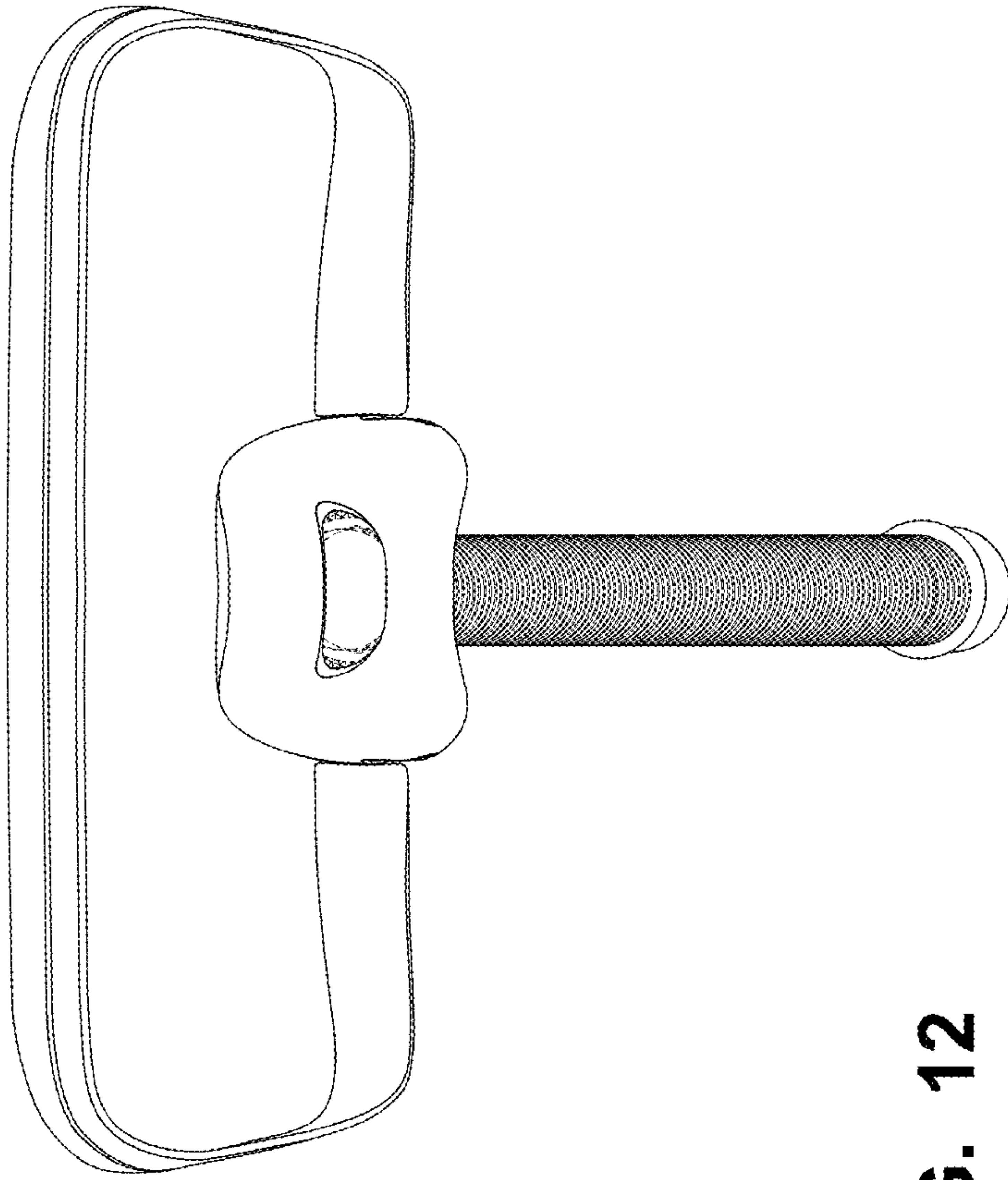


FIG. 12

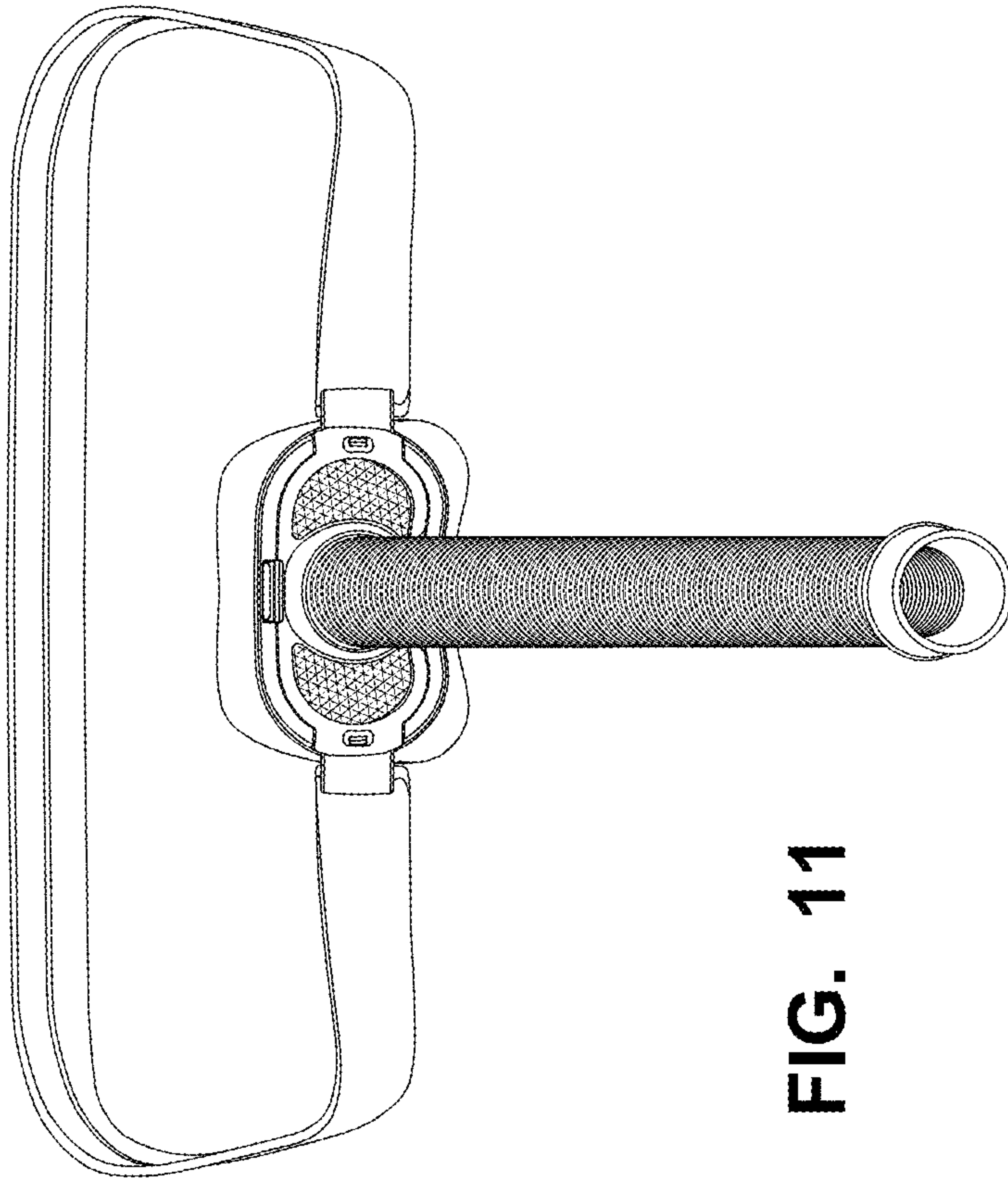


FIG. 11

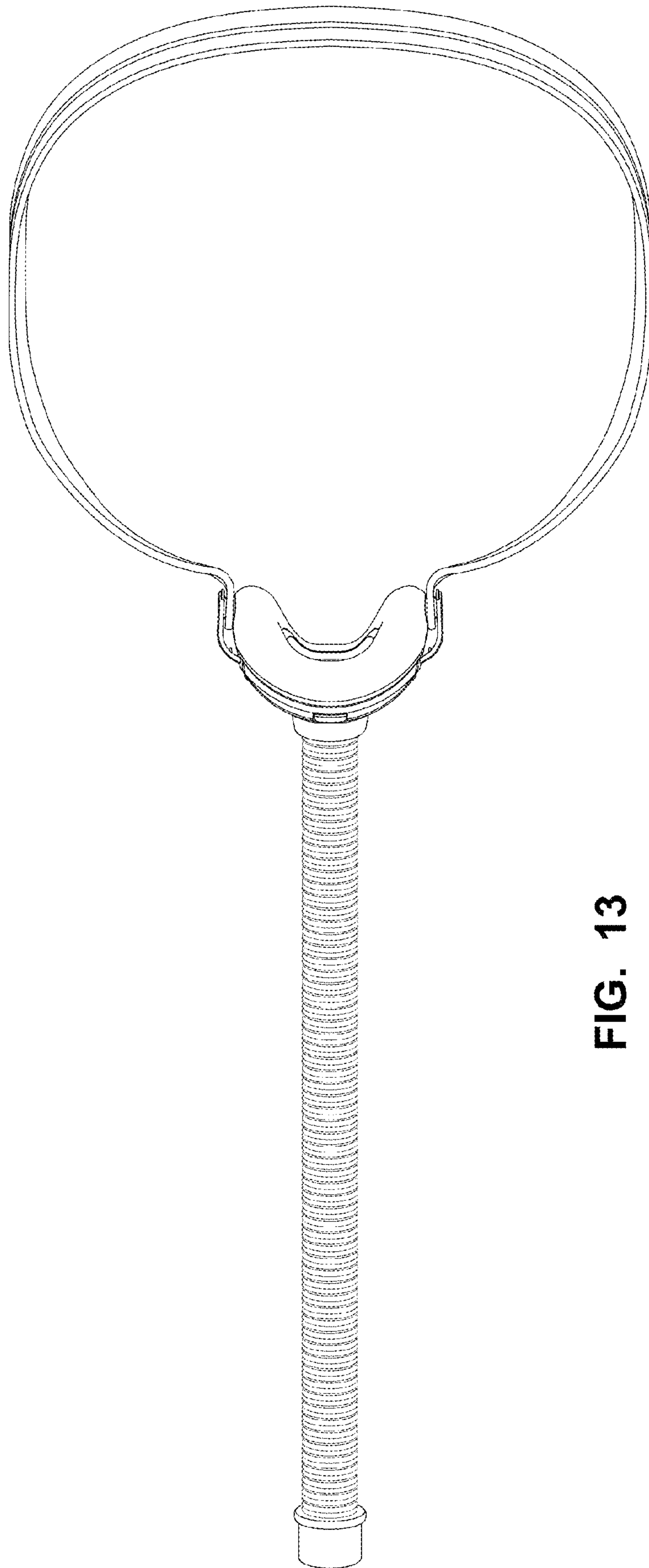


FIG. 13

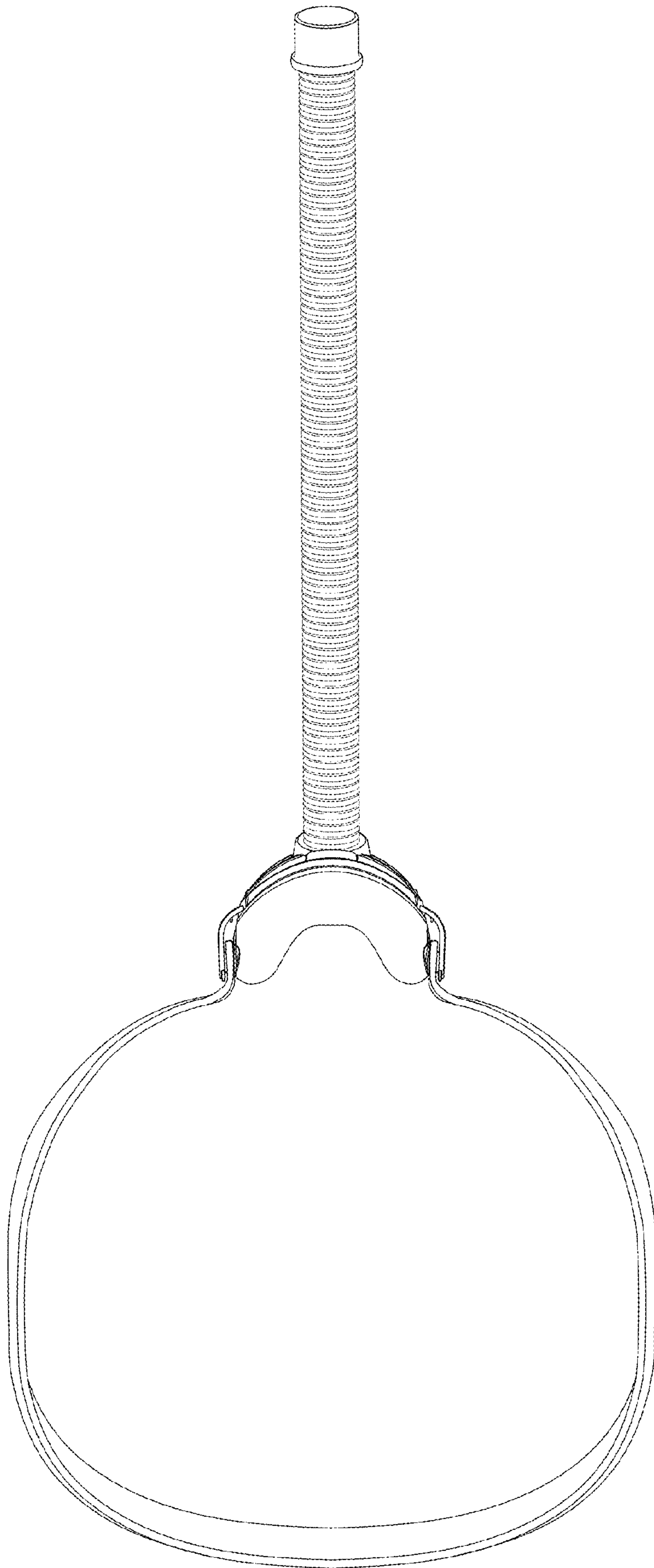


FIG. 14

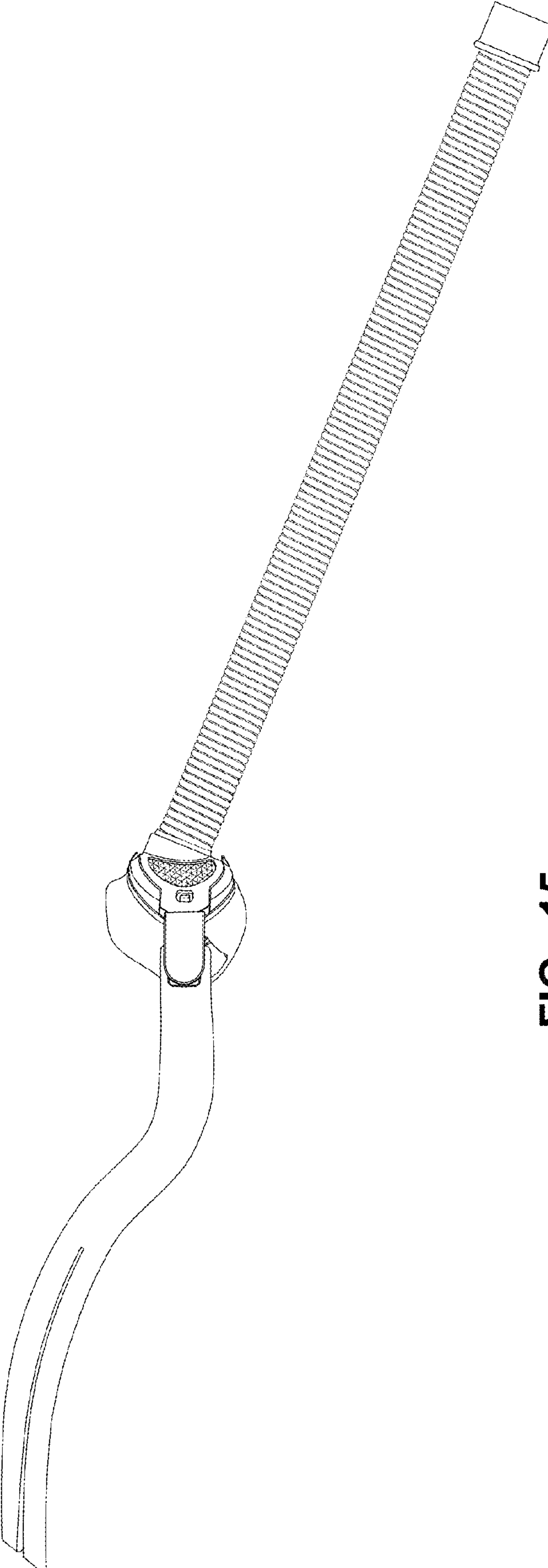


FIG. 15

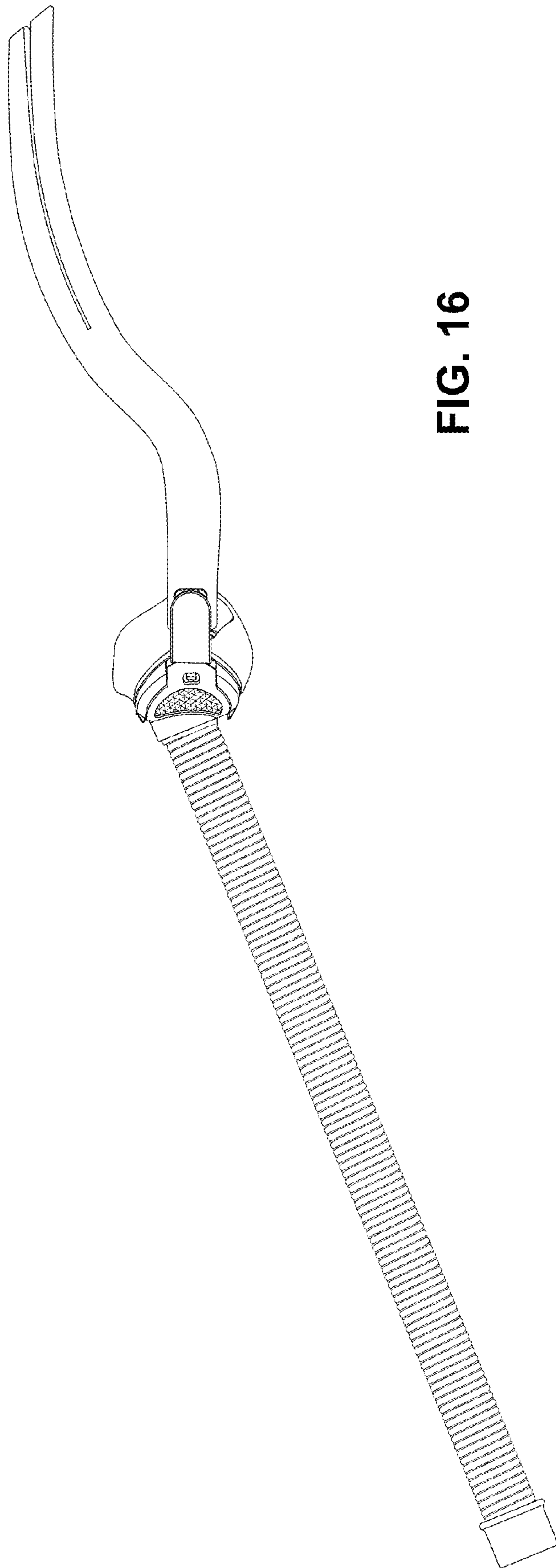


FIG. 16