



US00D873990S

(12) **United States Design Patent**  
**Dixon et al.**

(10) **Patent No.:** **US D873,990 S**  
(45) **Date of Patent:** **\*\* Jan. 28, 2020**

(54) **HANDLE FOR VACUUM DELIVERY DEVICE**

(71) Applicant: **Clinical Innovations, LLC**, Murray, UT (US)  
(72) Inventors: **Richard A. Dixon**, Bountiful, UT (US); **Brandon D. Moon**, Highland, UT (US); **Spencer R. Thomas**, Murray, UT (US)  
(73) Assignee: **Clinical Innovations, LLC**, Murray, UT (US)

(\*\*) Term: **15 Years**

(21) Appl. No.: **29/637,765**

(22) Filed: **Feb. 21, 2018**

(51) **LOC (12) Cl.** ..... **24-02**

(52) **U.S. Cl.**  
USPC ..... **D24/108; D24/133**

(58) **Field of Classification Search**  
USPC ..... D24/108, 133, 147, 137, 138  
CPC . A61B 5/04485; A61B 5/1464; A61B 17/442; A61B 17/445; A61B 17/447; A61B 2017/306; A61B 2017/308  
See application file for complete search history.

(56) **References Cited**

**U.S. PATENT DOCUMENTS**

5,395,379 A \* 3/1995 Deutchman ..... A61B 10/0283 604/227  
6,575,919 B1 \* 6/2003 Reiley ..... A61B 17/34 600/567  
D491,999 S \* 6/2004 Scott ..... D22/142  
6,872,212 B2 \* 3/2005 Vines ..... A61B 17/442 604/35  
D561,336 S \* 2/2008 Laflash ..... D24/138  
(Continued)

**FOREIGN PATENT DOCUMENTS**

CA 2351681 A1 \* 6/2000  
WO WO-0243598 A1 \* 6/2002  
(Continued)

**OTHER PUBLICATIONS**

AAAWholesaleCompany. Link: [https://www.aaawholesalecompany.com/mdl-knewmvac60mth.html?utm\\_source=googleshopping&utm\\_medium=cse&gclid=EAIaIQobChM14\\_XFIZC54QIVEonICh17WAAkEAQYAyABEglfwfD\\_BwE](https://www.aaawholesalecompany.com/mdl-knewmvac60mth.html?utm_source=googleshopping&utm_medium=cse&gclid=EAIaIQobChM14_XFIZC54QIVEonICh17WAAkEAQYAyABEglfwfD_BwE). Visited Apr. 5, 2019. Kiwi Vacuum Delivery. (Year: 2019).\*

*Primary Examiner* — Susan Bennett Hattan  
*Assistant Examiner* — Lauren D McVey  
(74) *Attorney, Agent, or Firm* — TraskBritt

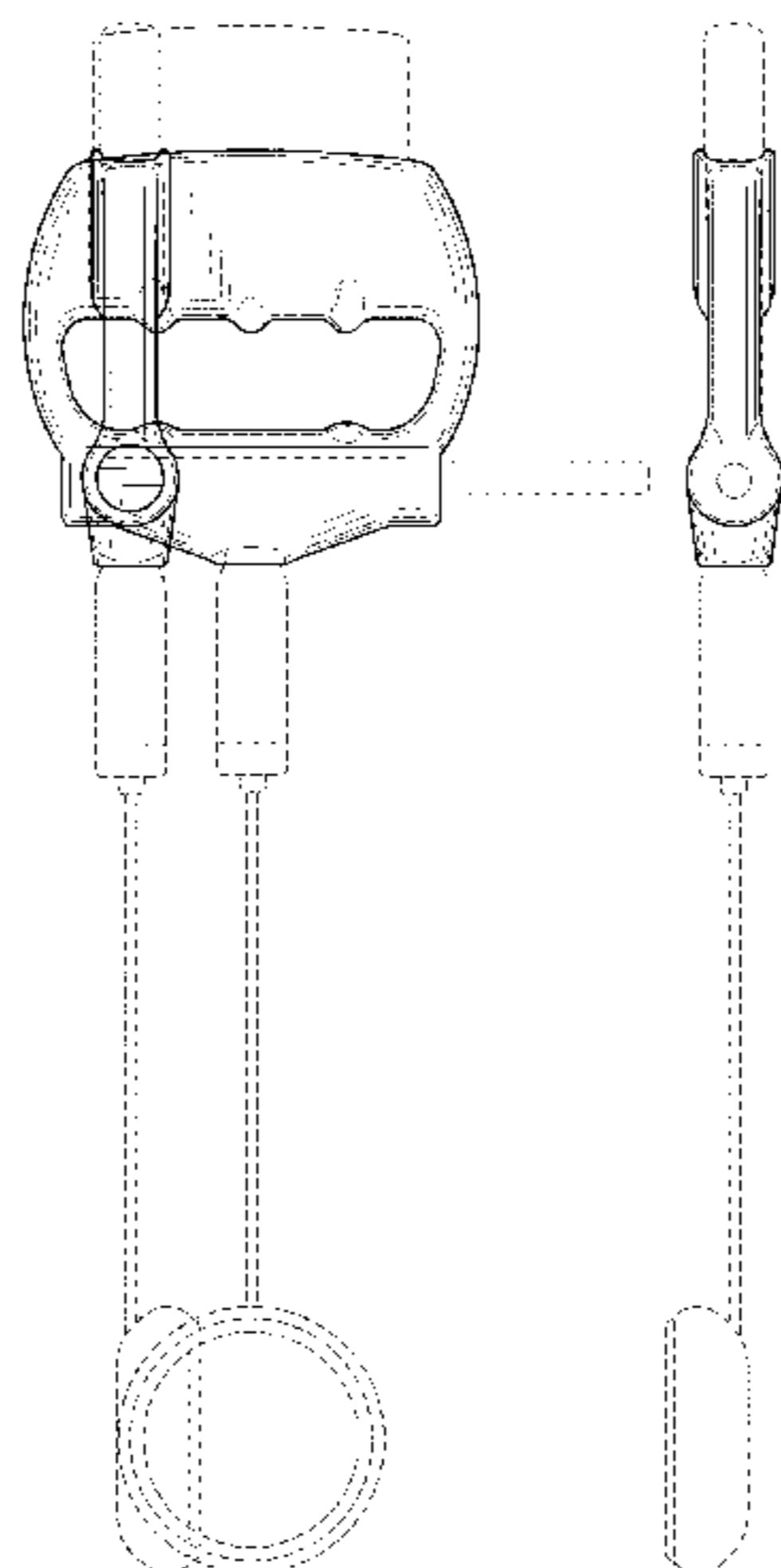
(57) **CLAIM**

The ornamental design for a handle for a vacuum delivery device, as shown and described.

**DESCRIPTION**

FIG. 1 is a front perspective view showing our new design for a handle for a vacuum delivery device;  
FIG. 2 is a rear perspective view of the handle shown in FIG. 1;  
FIG. 3 is a front side elevation view of the handle shown in FIG. 1;  
FIG. 4 is a rear side elevation view of the handle shown in FIG. 1;  
FIG. 5 is a left side elevation view of the handle shown in FIG. 1;  
FIG. 6 is a right side elevation view of the handle shown in FIG. 1;  
FIG. 7 is top plan view of the handle shown in FIG. 1; and, FIG. 8 is a bottom plan view of the handle shown in FIG. 1. The broken lines immediately adjacent to the shaded areas depict the bounds of the claimed design, while all other broken lines are directed to environment. In addition, the unshaded surfaces that directly adjoin the claimed solid line edges form no part of the claimed design.

**1 Claim, 5 Drawing Sheets**



(56)

**References Cited**

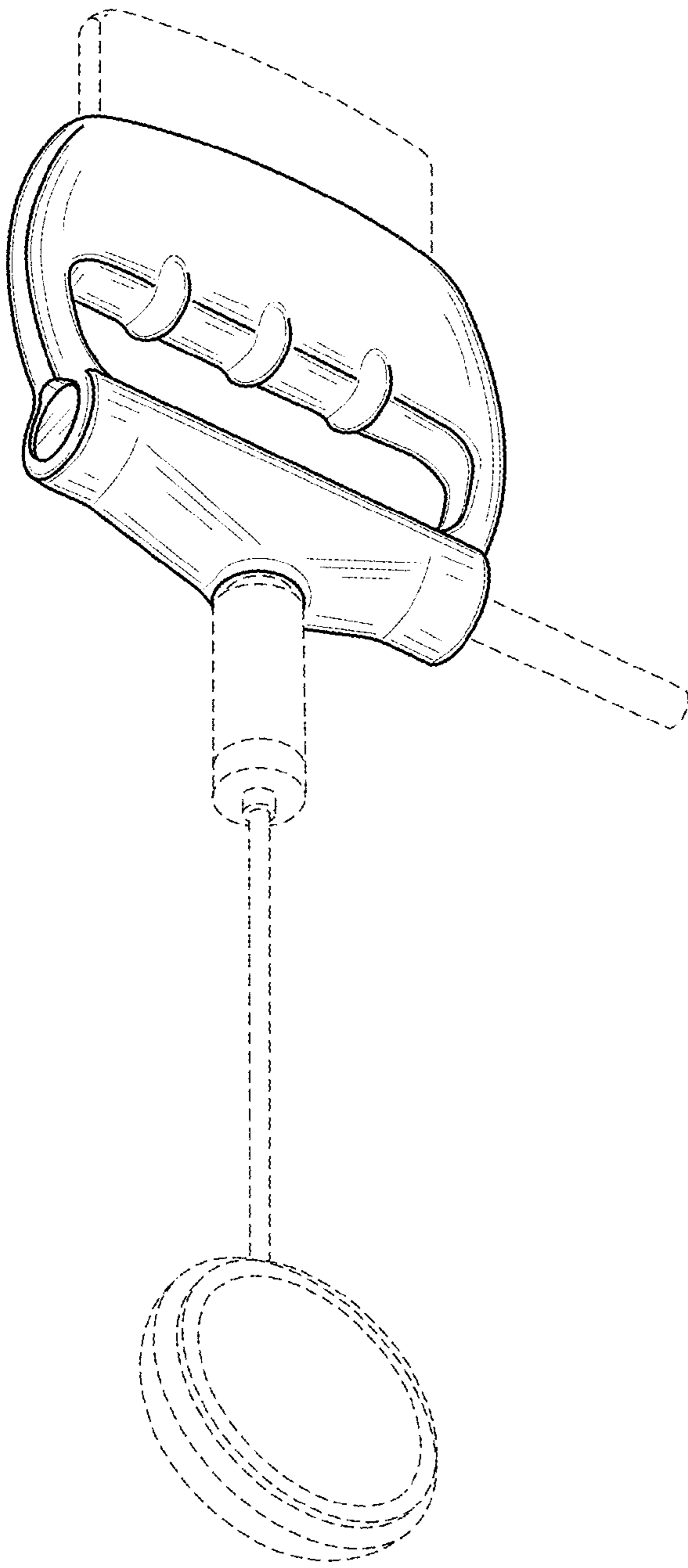
U.S. PATENT DOCUMENTS

D576,728 S \* 9/2008 Yates ..... D24/144  
D689,601 S \* 9/2013 Black ..... D24/108  
D812,747 S \* 3/2018 Funakoshi ..... D24/133  
D858,742 S \* 9/2019 Teoh ..... D24/108  
D858,743 S \* 9/2019 Teoh ..... D24/108  
2002/0165556 A1\* 11/2002 Wallace ..... A61B 17/442  
606/123  
2005/0203334 A1\* 9/2005 Lonky ..... A61B 17/00234  
600/37

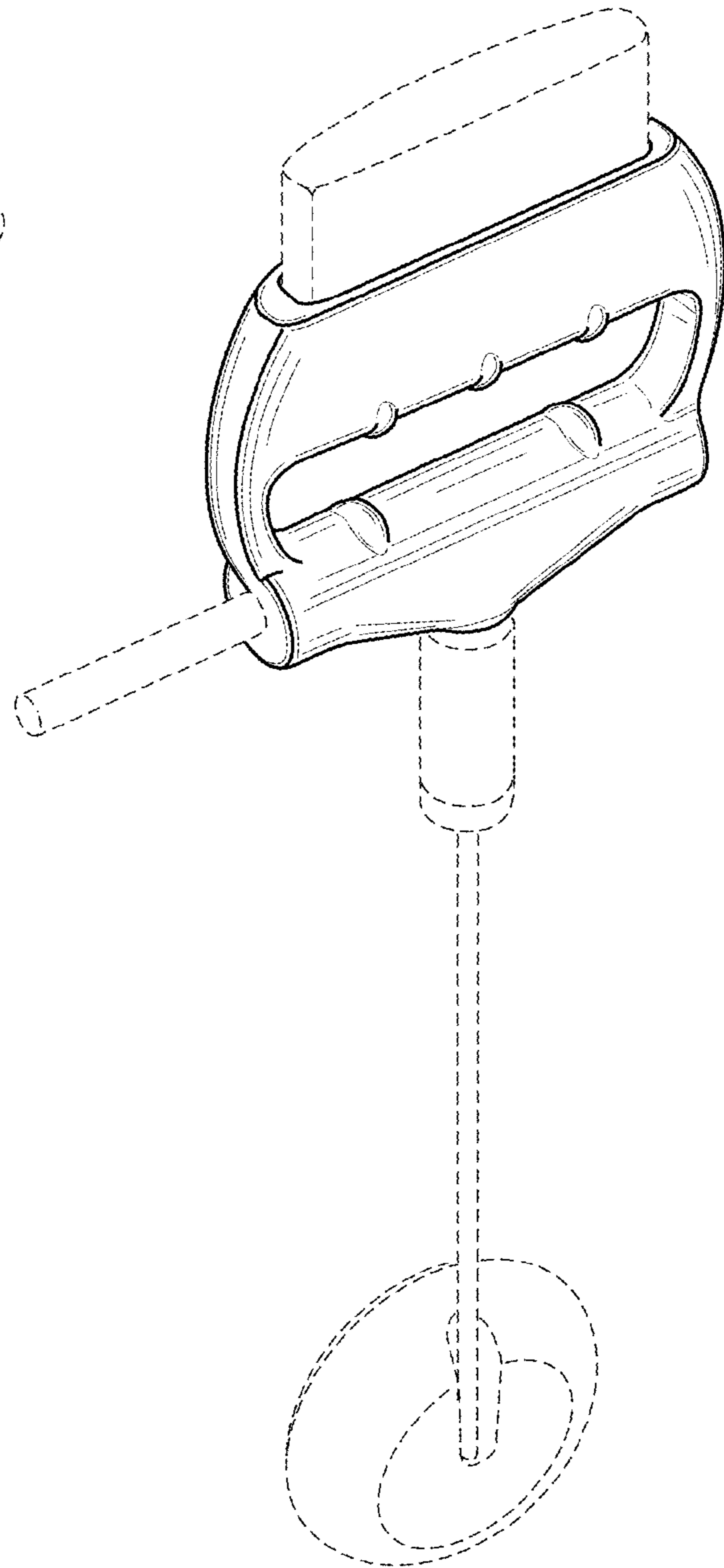
FOREIGN PATENT DOCUMENTS

WO WO-02088546 A1 \* 11/2002  
WO WO-2016038195 A1 \* 3/2016

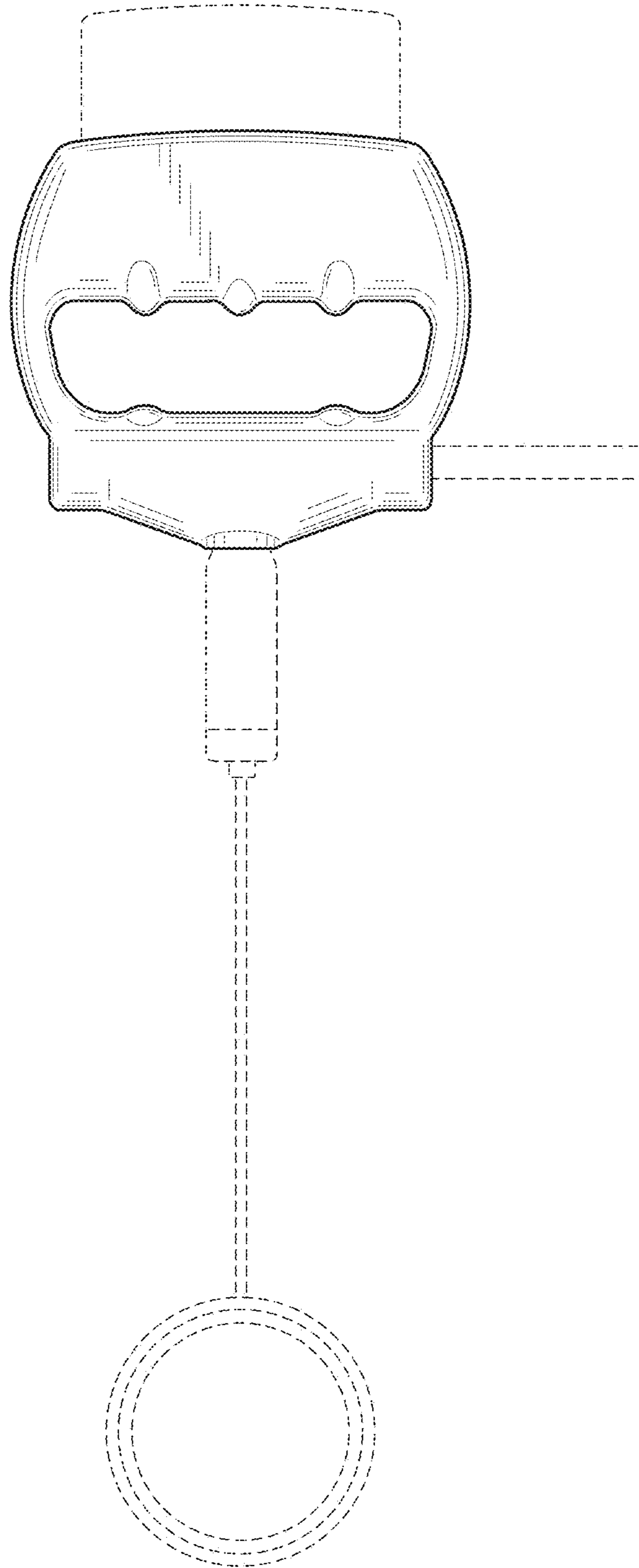
\* cited by examiner



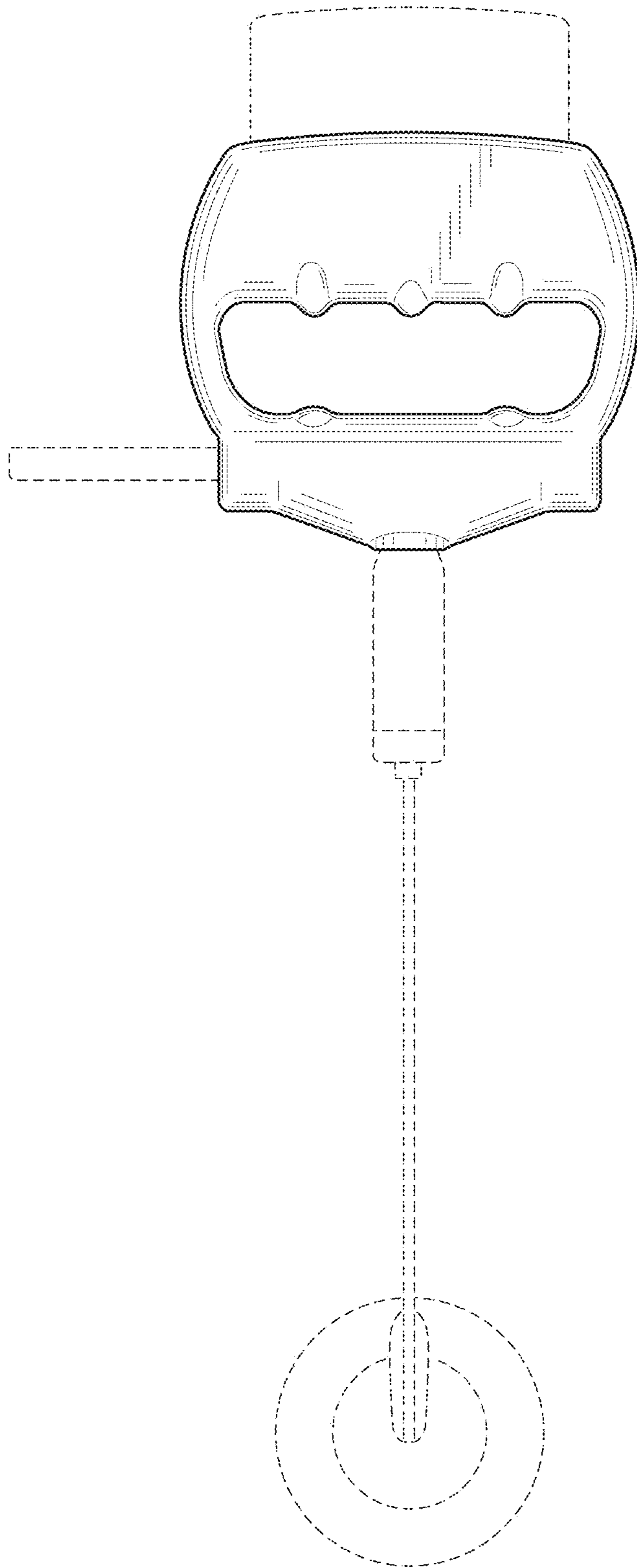
**FIG. 1**



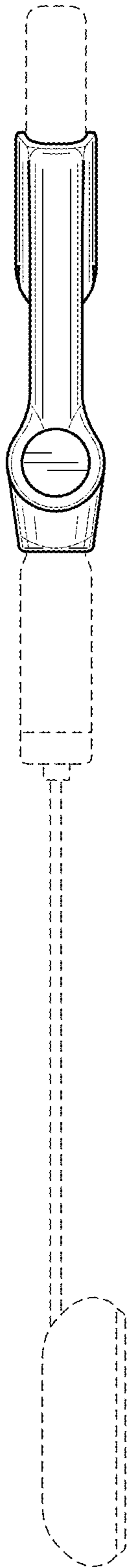
**FIG. 2**



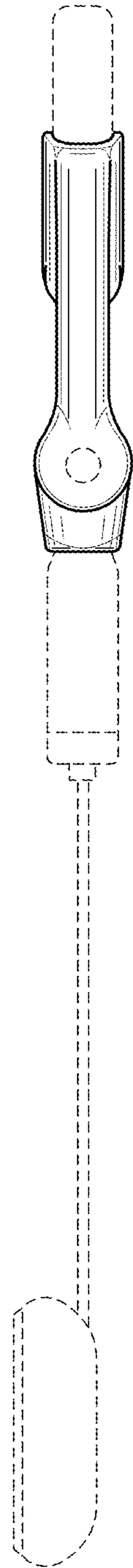
**FIG. 3**



**FIG. 4**



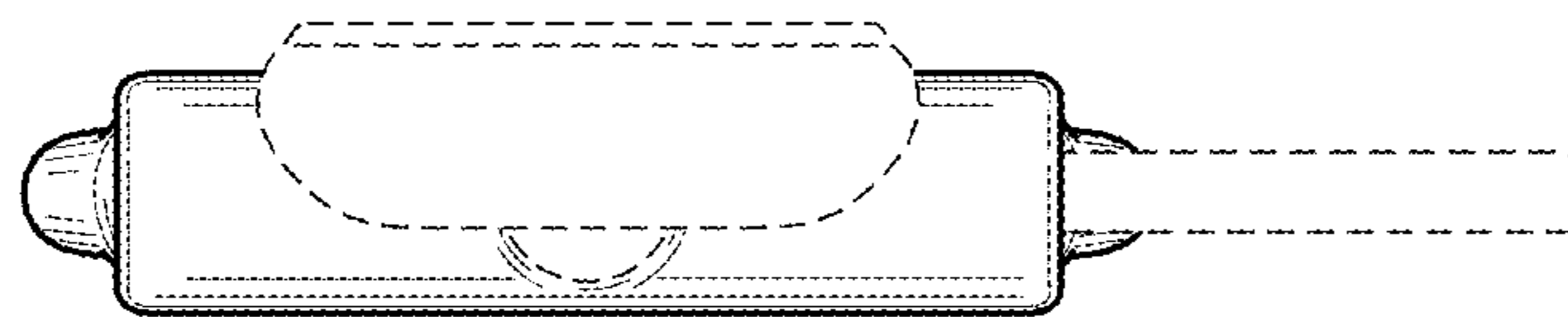
**FIG. 5**



**FIG. 6**



**FIG. 7**



**FIG. 8**