



US00D873989S

(12) **United States Design Patent**
Jordan

(10) **Patent No.:** **US D873,989 S**
(45) **Date of Patent:** **** Jan. 28, 2020**

- (54) **COLLAR CONNECTOR**
- (71) Applicant: **Trevor Levern Jordan**, The Woodlands, TX (US)
- (72) Inventor: **Trevor Levern Jordan**, The Woodlands, TX (US)
- (**) Term: **15 Years**
- (21) Appl. No.: **29/651,016**
- (22) Filed: **Oct. 23, 2017**
- (51) **LOC (12) Cl.** **23-03**
- (52) **U.S. Cl.**
USPC **D23/393**
- (58) **Field of Classification Search**
USPC D23/393, 286, 262
CPC F16L 37/00
See application file for complete search history.

- 4,569,110 A * 2/1986 Goettel F16L 37/008
126/153
- 4,620,729 A * 11/1986 Kauffman F16L 41/082
285/136.1
- 4,681,351 A * 7/1987 Bartholomew F16L 37/0987
285/319
- 4,696,497 A * 9/1987 Schwarzensteiner
F16L 37/0987
285/307
- 4,783,101 A * 11/1988 Peterson F16L 37/084
285/305
- 5,213,374 A * 5/1993 Keating F16L 21/022
228/17.5
- 5,228,729 A * 7/1993 McElroy F16L 37/0987
285/319
- 5,509,696 A * 4/1996 Smith F16L 37/04
138/108
- D375,558 S * 11/1996 Williams D23/393
- 5,741,030 A * 4/1998 Moore F16L 41/08
285/205
- D402,354 S * 12/1998 Strong D23/259
- D427,668 S * 7/2000 Stout, Jr. D23/262

(Continued)

Primary Examiner — Kevin K Rudzinski
(74) *Attorney, Agent, or Firm* — Guy McClung

(56) **References Cited**

U.S. PATENT DOCUMENTS

- 482,808 A * 9/1892 McGoron F16L 3/00
126/318
- 2,532,773 A * 12/1950 Kellam F16L 37/248
174/99 B
- 2,650,114 A * 8/1953 Epstein F16L 37/02
285/304
- 3,122,170 A * 2/1964 Hickman F24F 13/084
138/37
- 3,477,745 A * 11/1969 Proctor F16L 15/008
285/189
- 3,857,590 A * 12/1974 Meeker F16L 13/00
285/305
- 4,123,093 A * 10/1978 Newland F16L 37/008
285/189
- 4,491,124 A * 1/1985 Goettel F16L 37/008
126/293
- 4,508,369 A * 4/1985 Mode B21D 53/16
285/105

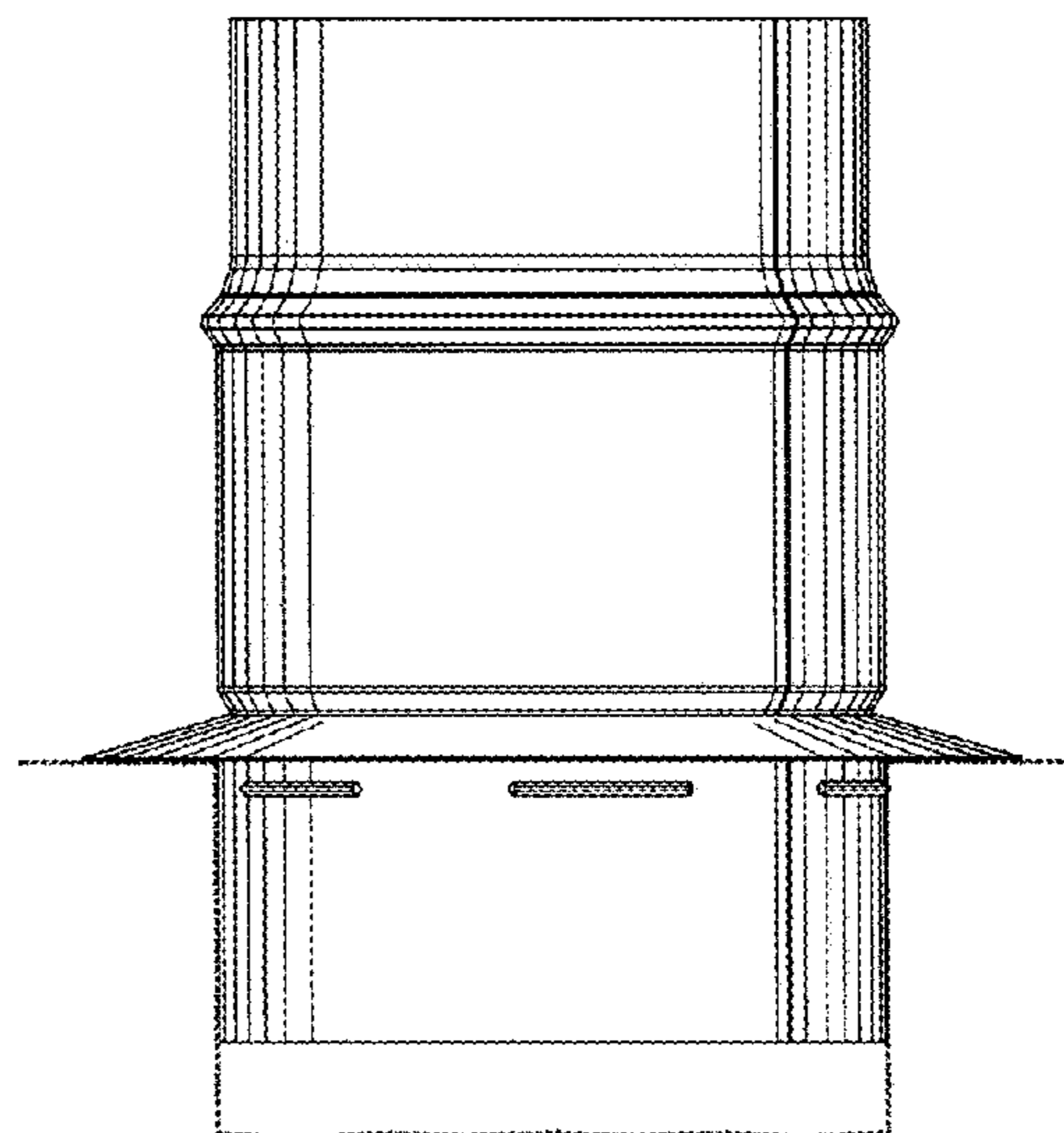
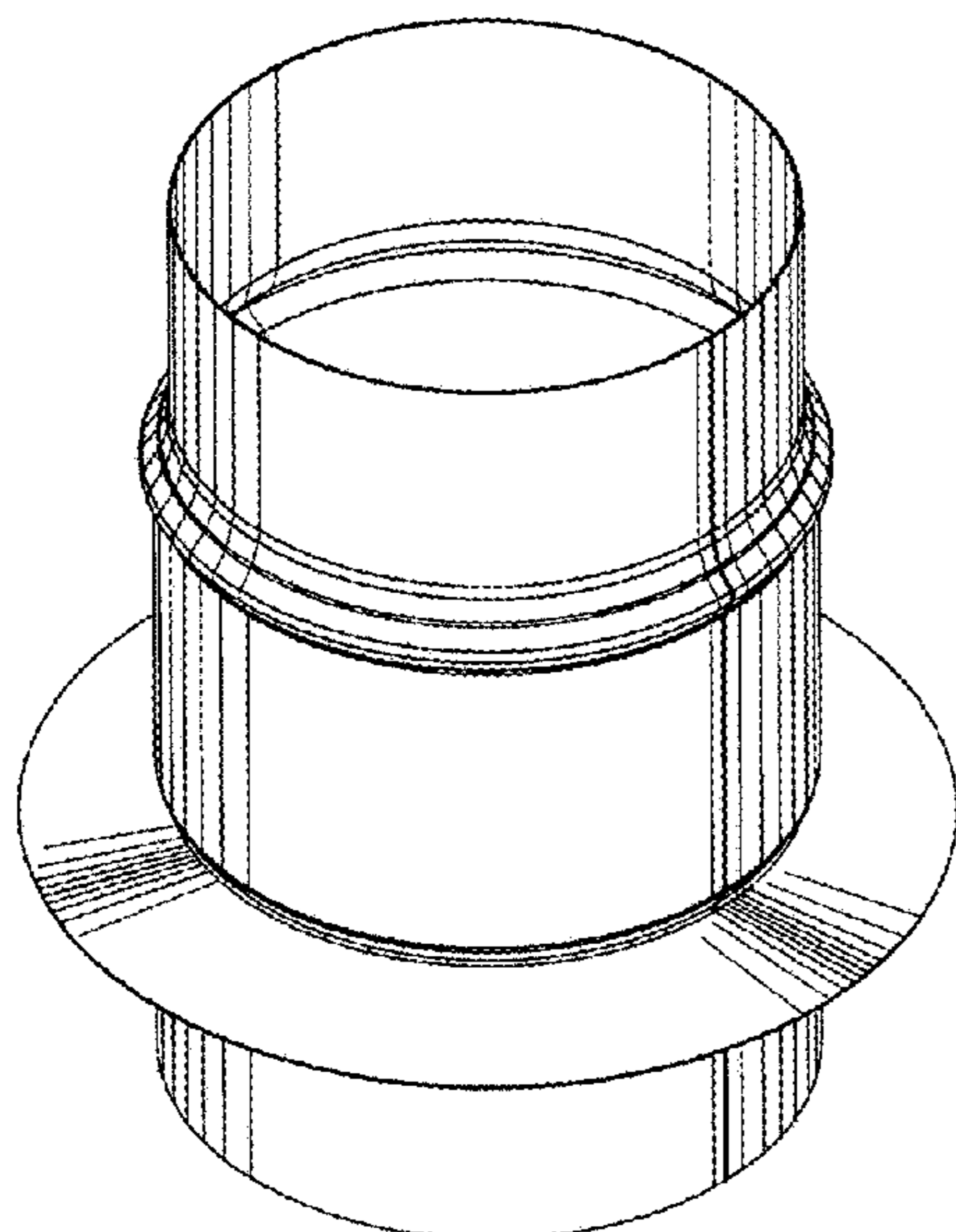
(57) **CLAIM**

The ornamental design for collar connector, as shown and described.

DESCRIPTION

FIG. 1 is a top perspective view of a collar connector showing my new design.
FIG. 2 is a left side view thereof;
FIG. 3 is a top view thereof;
FIG. 4 is a bottom view thereof; and,
FIG. 5 is a right side view thereof.
The broken lines in FIGS. 2 and 5 showing environment is for illustrative purposes on and form no part of the claimed design.

1 Claim, 3 Drawing Sheets



(56)

References Cited

U.S. PATENT DOCUMENTS

6,616,193 B2 * 9/2003 Anderson F16L 37/008
 285/140.1
 D488,859 S * 4/2004 Stout, Jr. D23/393
 D551,336 S * 9/2007 Haggkvist D23/386
 D558,325 S * 12/2007 Karnes D23/393
 7,393,021 B1 * 7/2008 Lukjan F24F 13/0209
 285/183
 D612,925 S * 3/2010 Kameyama D23/393
 D646,373 S * 10/2011 Liebson D23/393
 8,480,134 B2 * 7/2013 Crompton F16L 37/0915
 285/315
 8,657,341 B2 * 2/2014 Kraft A61J 1/2089
 285/111
 D728,774 S * 5/2015 Graham D23/393
 9,370,998 B2 * 6/2016 Kobayashi B60K 15/04
 9,689,108 B2 * 6/2017 Hamman, Jr. D06F 58/20
 D796,662 S * 9/2017 Harman D23/393
 9,752,706 B2 * 9/2017 Bauerdick F16L 9/17
 2013/0043671 A1 * 2/2013 Harman F24F 13/02
 285/3
 2014/0326724 A1 * 11/2014 Steinmann B67D 7/3236
 220/86.1
 2015/0260426 A1 * 9/2015 Hermanson F24F 13/0209
 285/336
 2018/0135786 A1 * 5/2018 Bourbon F16L 23/04

* cited by examiner

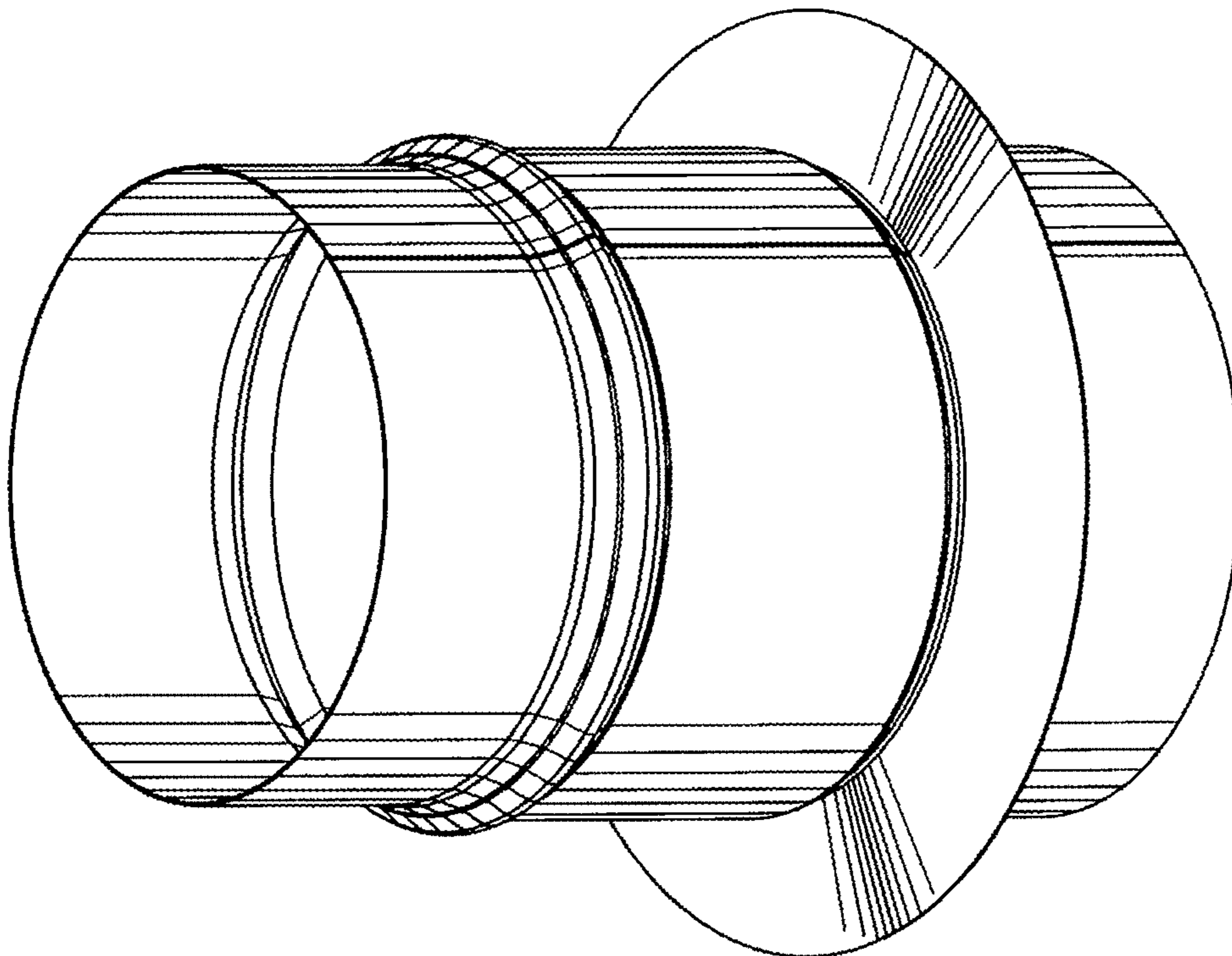


FIG. 1

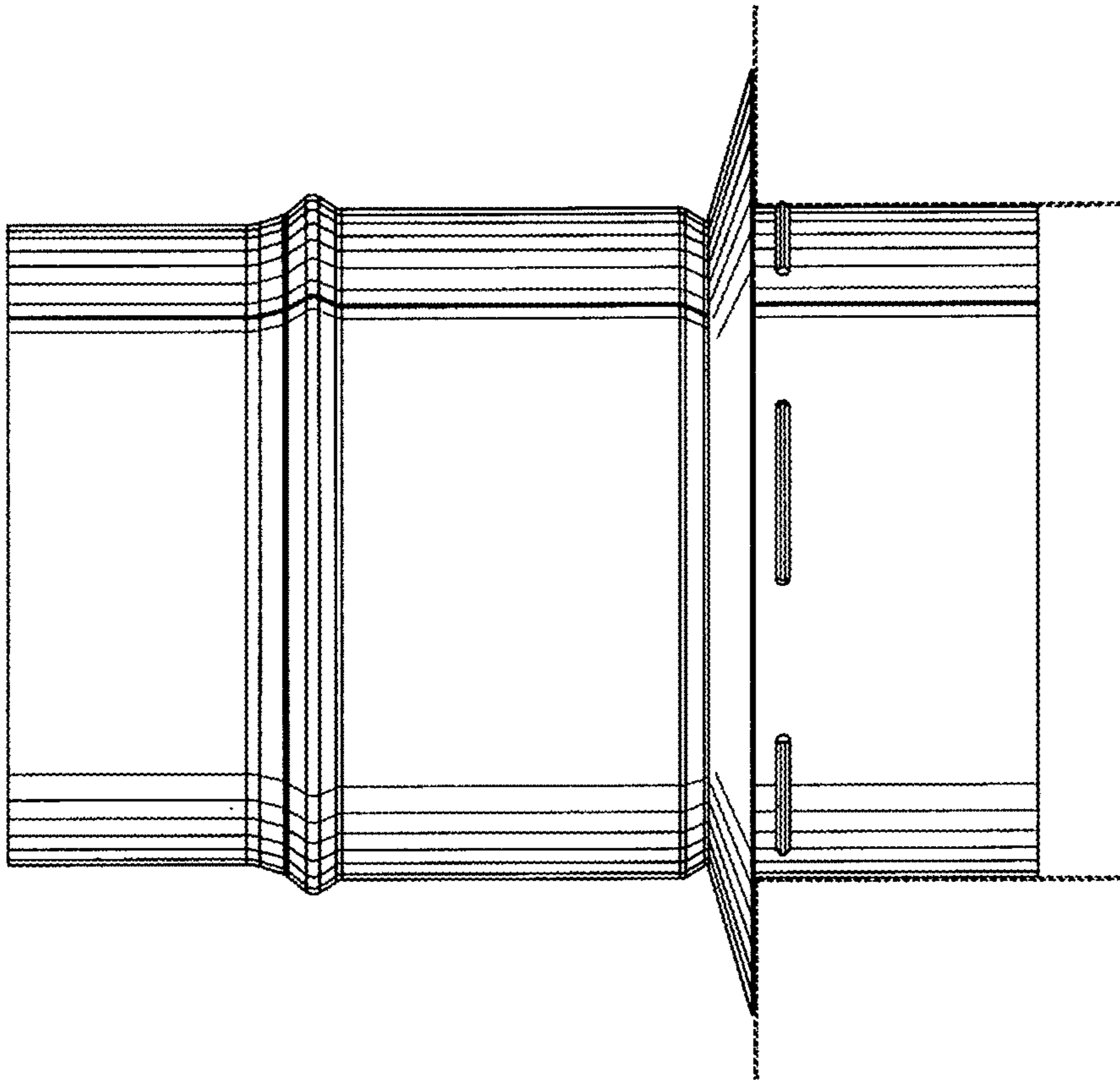


FIG. 2

FIG. 3

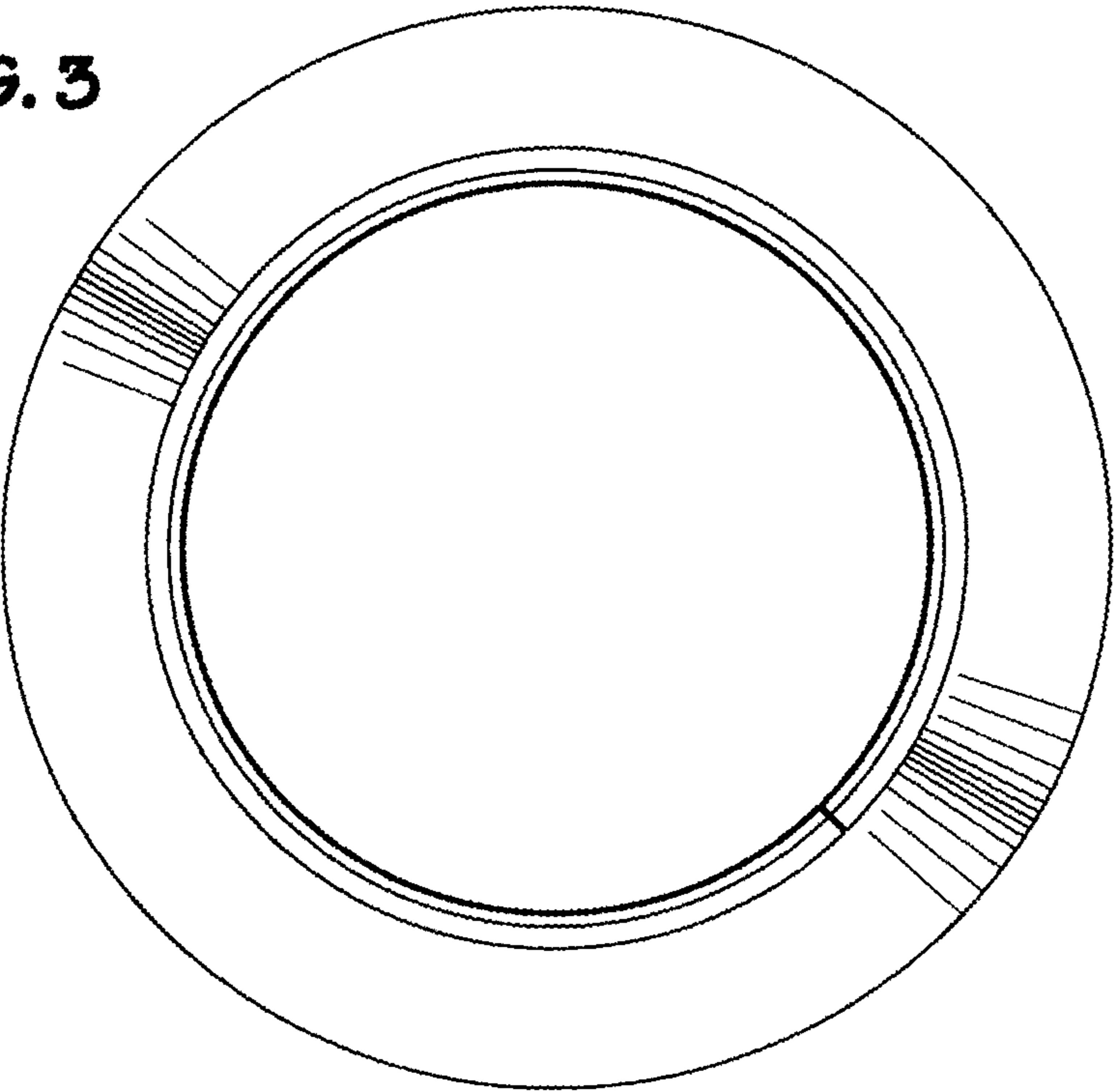
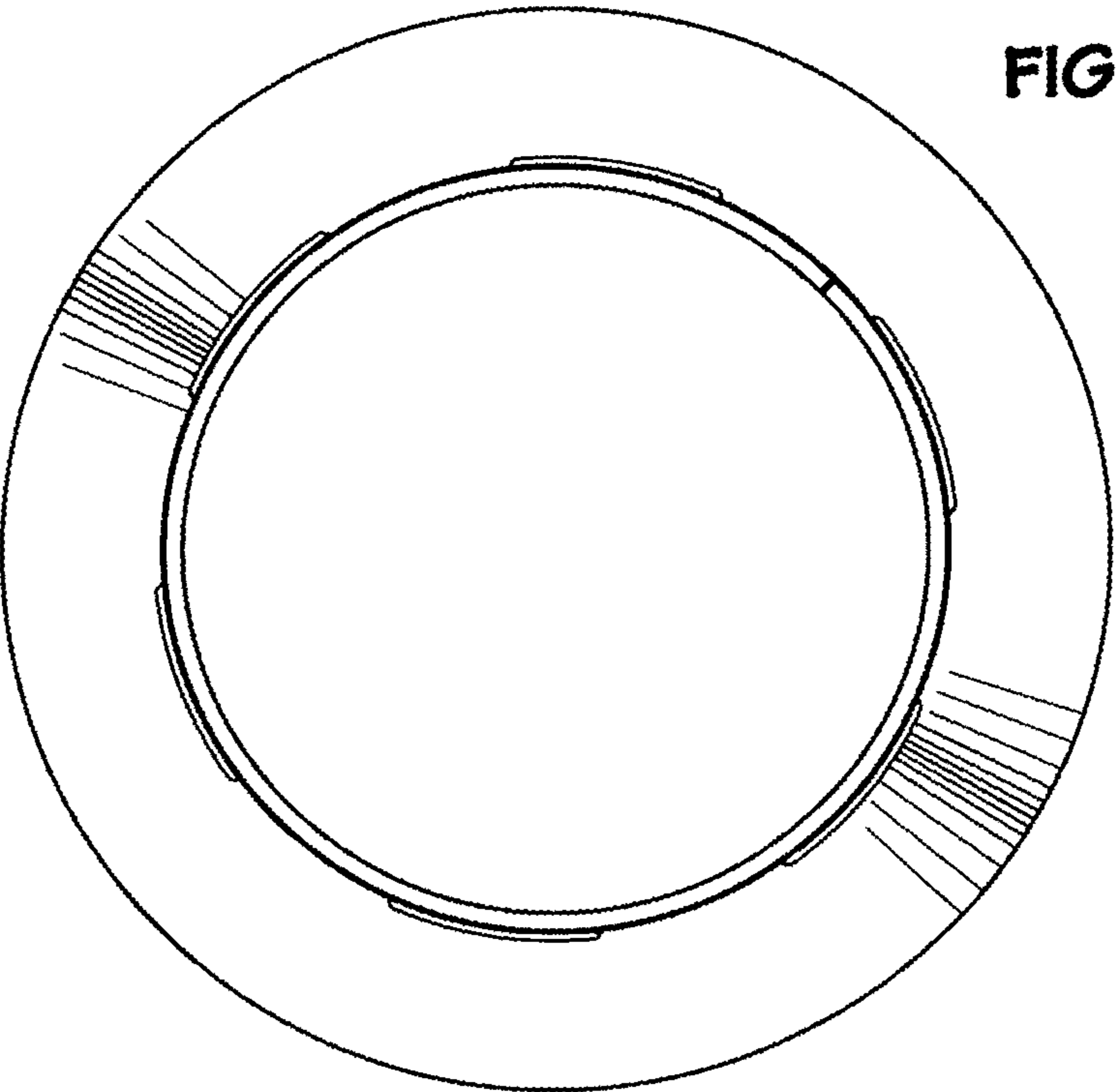


FIG. 4



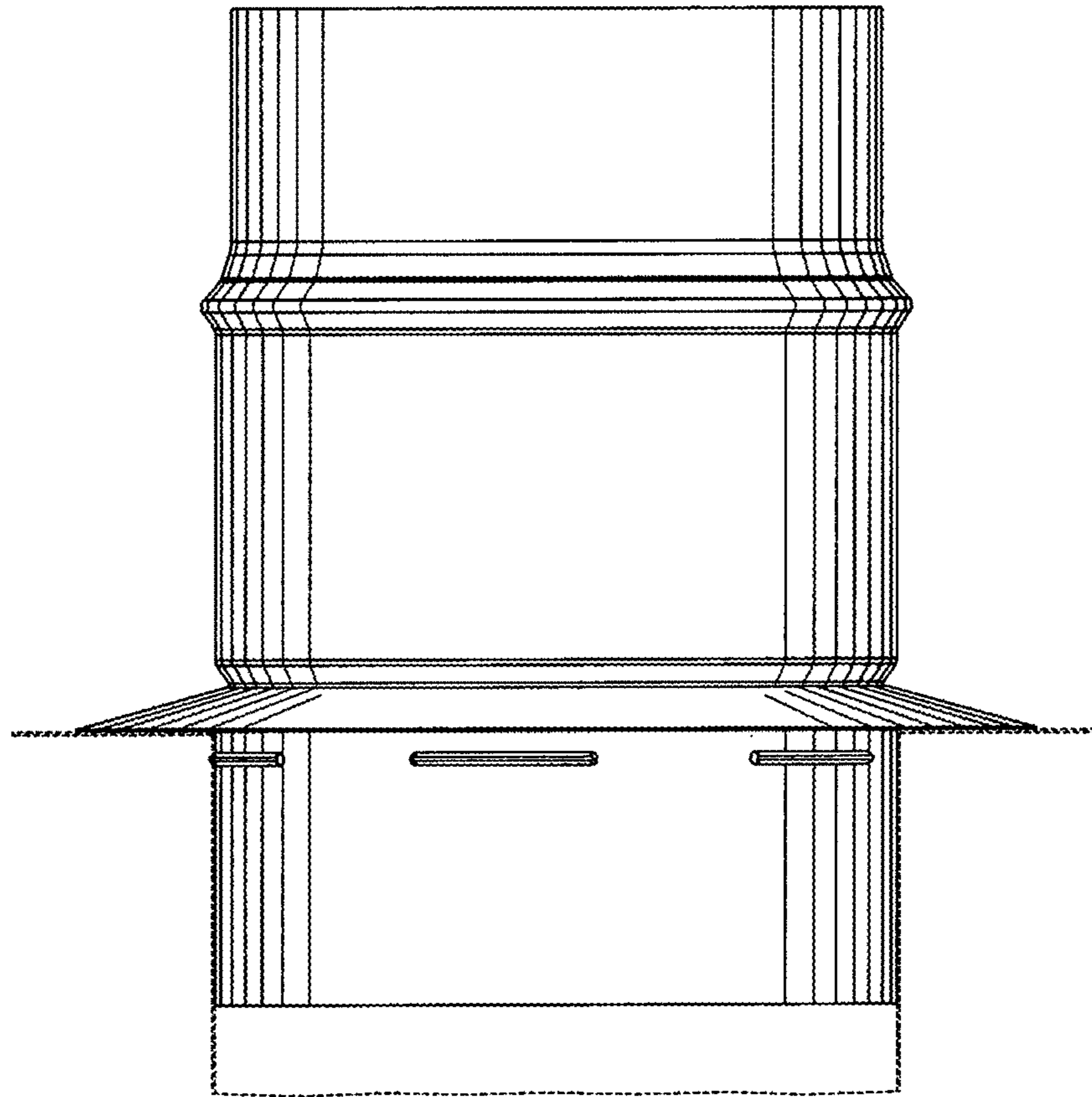


FIG. 5