



US00D873988S

(12) **United States Design Patent**  
**Biancuzzo**

(10) **Patent No.:** **US D873,988 S**

(45) **Date of Patent:** **\*\* Jan. 28, 2020**

- (54) **CEILING FAN**
- (71) Applicant: **AIR COOL INDUSTRIAL CO., LTD.**, Taichung (TW)
- (72) Inventor: **Francisco Biancuzzo**, Davie, FL (US)
- (73) Assignee: **AIR COOL INDUSTRIAL CO., LTD.**, Taichung (TW)
- (\*\*) Term: **15 Years**
- (21) Appl. No.: **29/677,394**
- (22) Filed: **Jan. 19, 2019**
- (51) **LOC (12) Cl.** ..... **23-04**
- (52) **U.S. Cl.**  
USPC ..... **D23/377**
- (58) **Field of Classification Search**  
USPC ..... D23/377, 370–376, 378–394, 411–414,  
D23/499; D26/51, 59, 72, 79, 92, 124  
CPC .... F04D 25/088; F04D 29/322; F04D 29/324;  
F04D 29/388; F04D 29/601  
See application file for complete search history.

D762,836 S *	8/2016	Schulzman	.....	D23/377
D788,282 S *	5/2017	Wang	.....	D23/377
D789,511 S *	6/2017	Wang	.....	D23/377
D796,660 S *	9/2017	Schulzman	.....	D23/377
D800,289 S *	10/2017	Guthrie	.....	D23/377
D804,629 S *	12/2017	McRoberts	.....	D23/377
D804,648 S *	12/2017	McRoberts	.....	D23/413
D849,224 S *	5/2019	Gardner	.....	D23/377
D850,603 S *	6/2019	Wang	.....	D23/377
D851,232 S *	6/2019	Schulzman	.....	D23/377
D851,234 S *	6/2019	Hidalgo	.....	D23/377
D861,152 S *	9/2019	Orozco	.....	D23/377
D861,154 S *	9/2019	Biancuzzo	.....	D23/411

\* cited by examiner

*Primary Examiner* — Marie D. Fast Horse

(74) *Attorney, Agent, or Firm* — Pai Patent & Trademark Law Firm; Chao-Chang David Pai

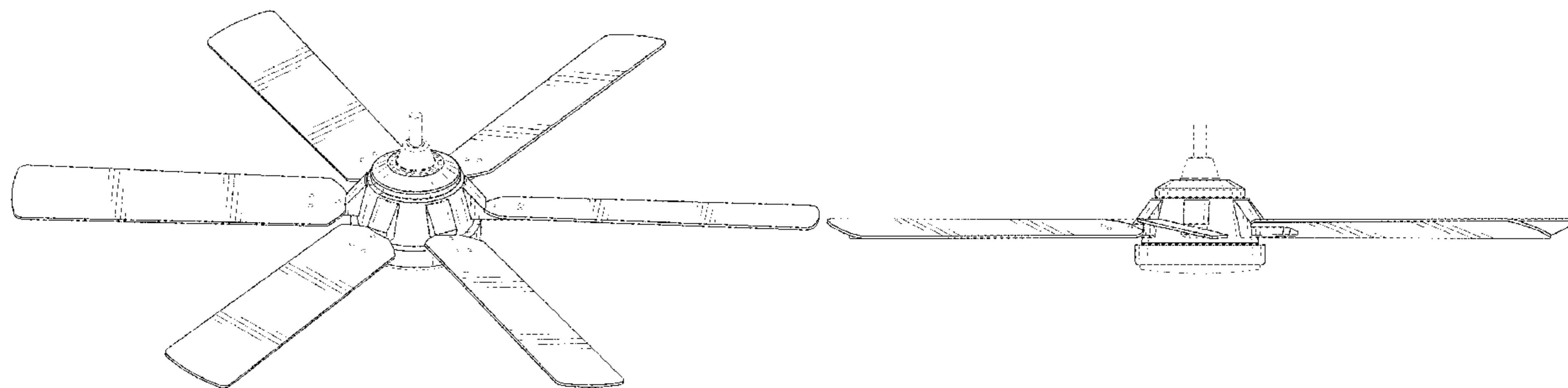
(57) **CLAIM**

The ornamental design for a ceiling fan, as shown and described.

**DESCRIPTION**

FIG. 1 is a front top perspective view of a ceiling fan showing my new design;  
 FIG. 2 is a front elevational view thereof;  
 FIG. 3 is a rear elevational view thereof;  
 FIG. 4 is a left side elevational view thereof;  
 FIG. 5 is a right side elevational view thereof;  
 FIG. 6 is a top plan view thereof;  
 FIG. 7 is a bottom plan view thereof; and,  
 FIG. 8 is a front bottom perspective view thereof.  
 The broken lines depict portions of the ceiling fan that form no part of the claimed design.

**1 Claim, 6 Drawing Sheets**



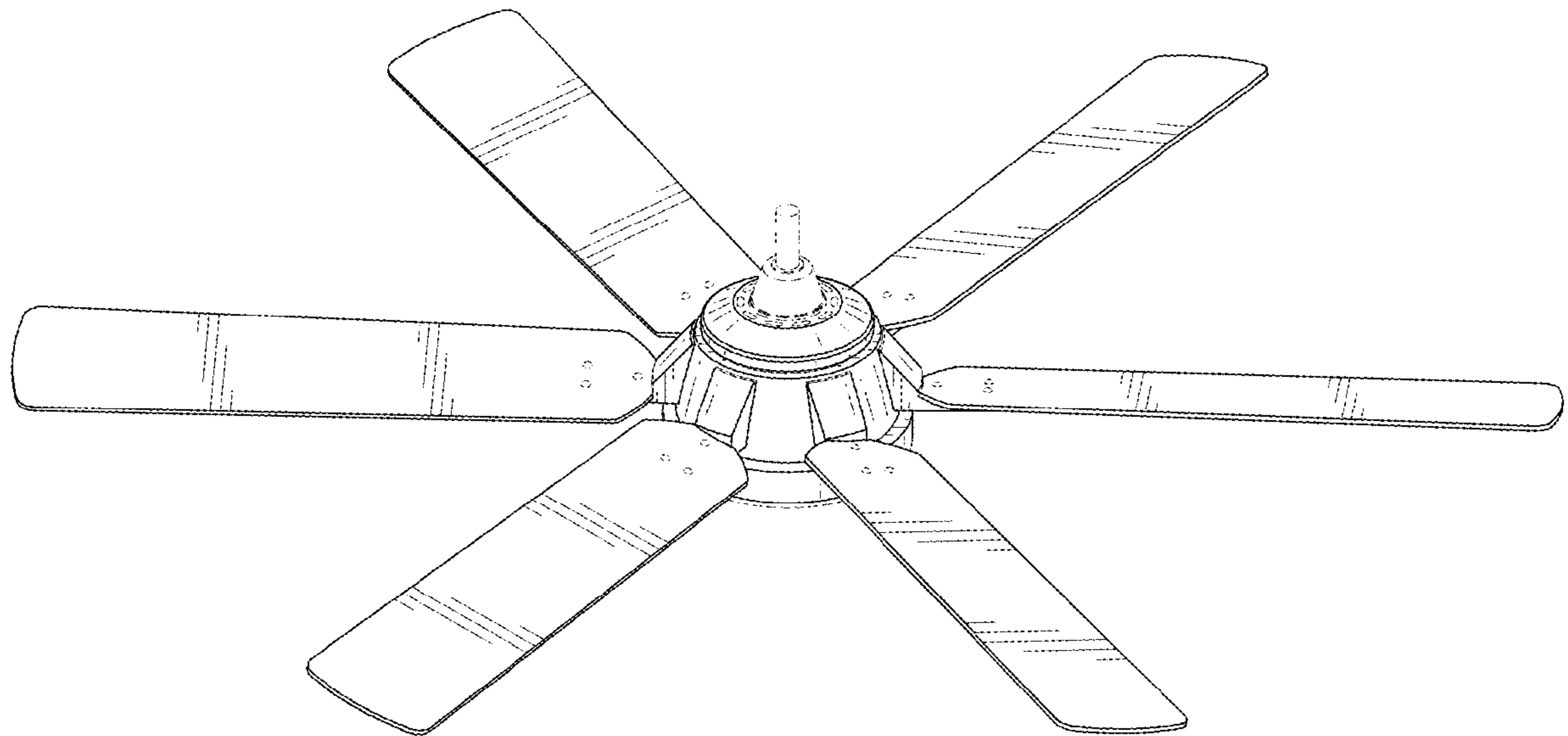


FIG. 1

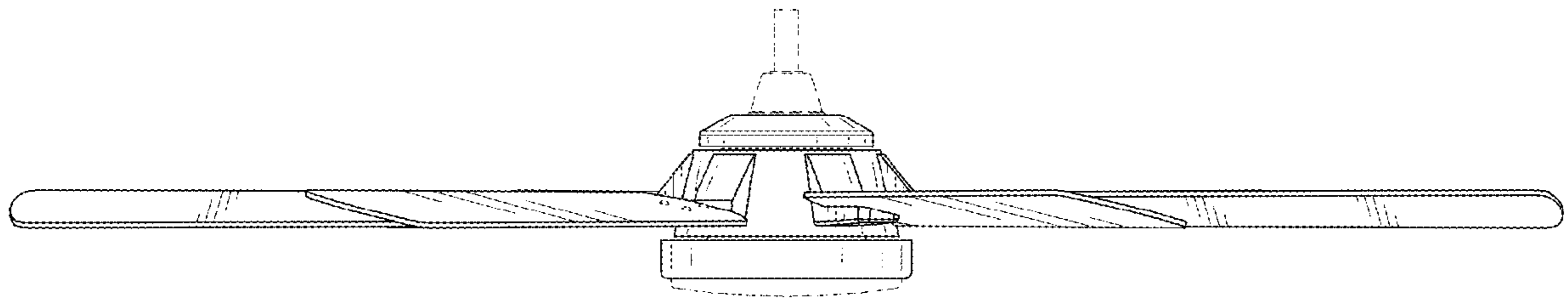


FIG. 2

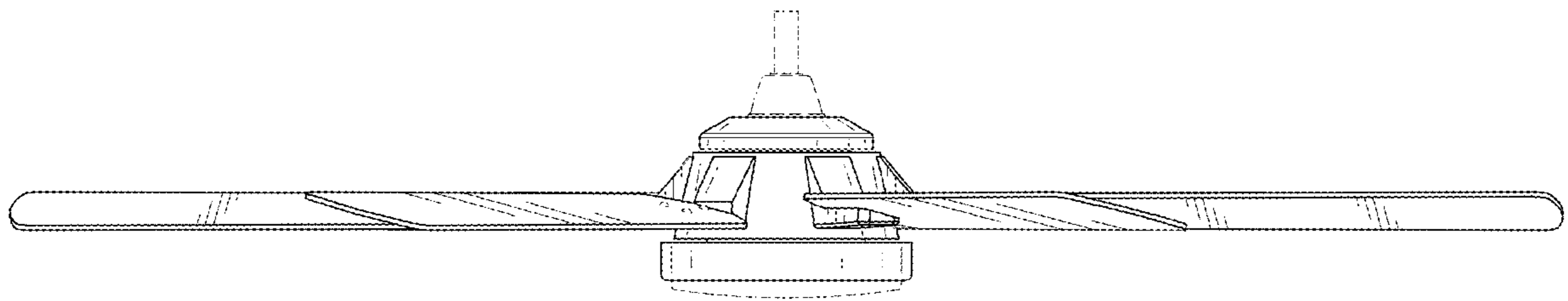


FIG. 3

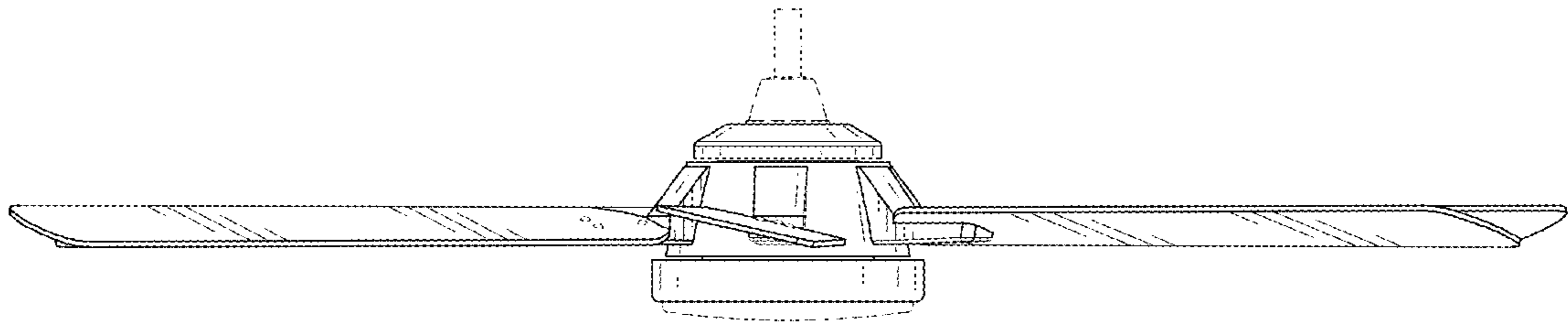


FIG. 4

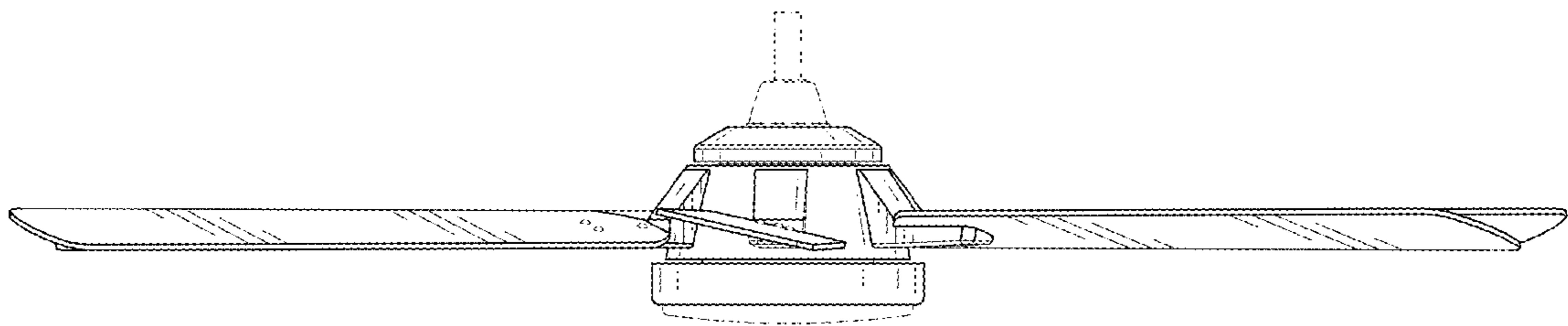


FIG. 5

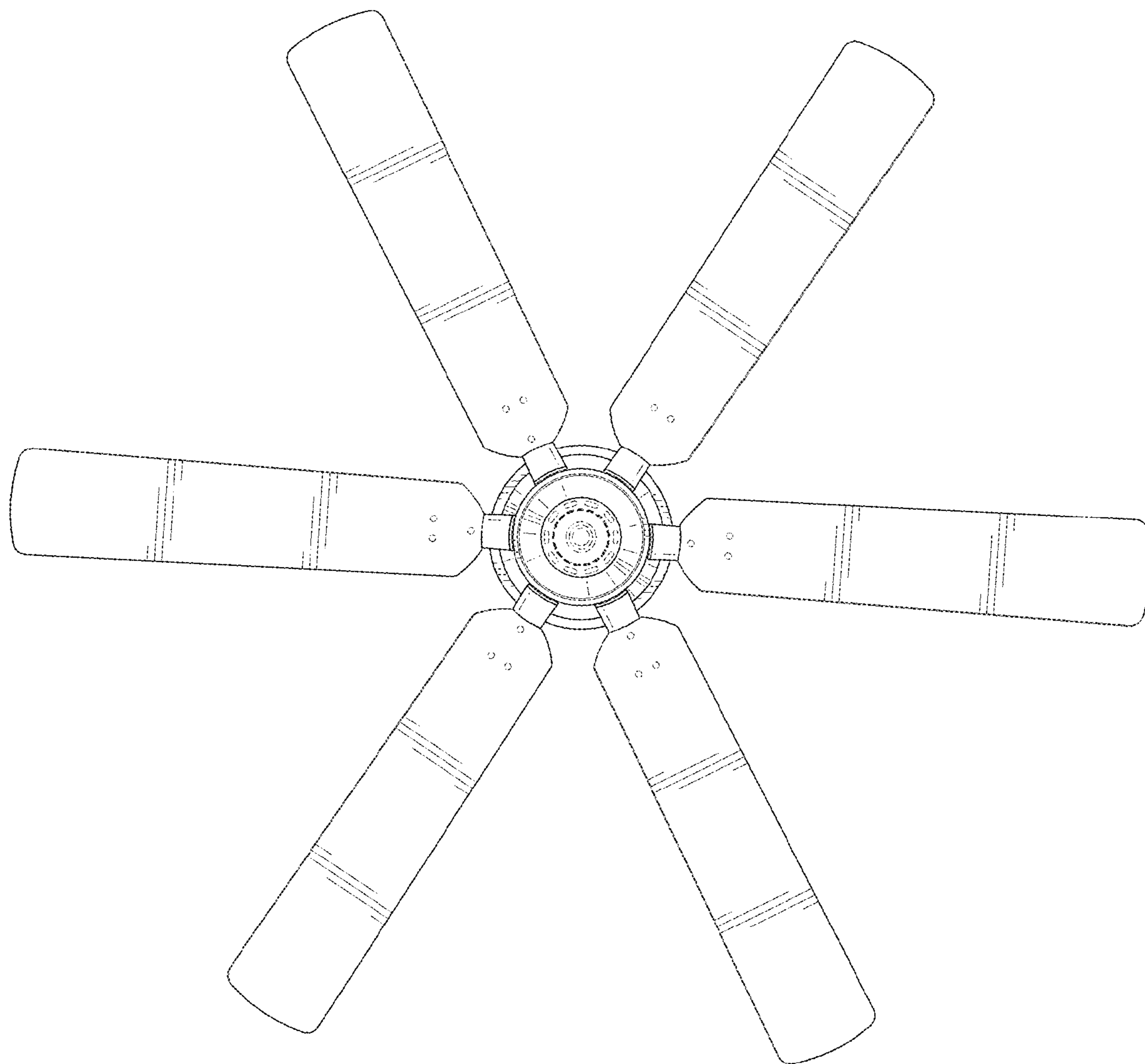


FIG. 6

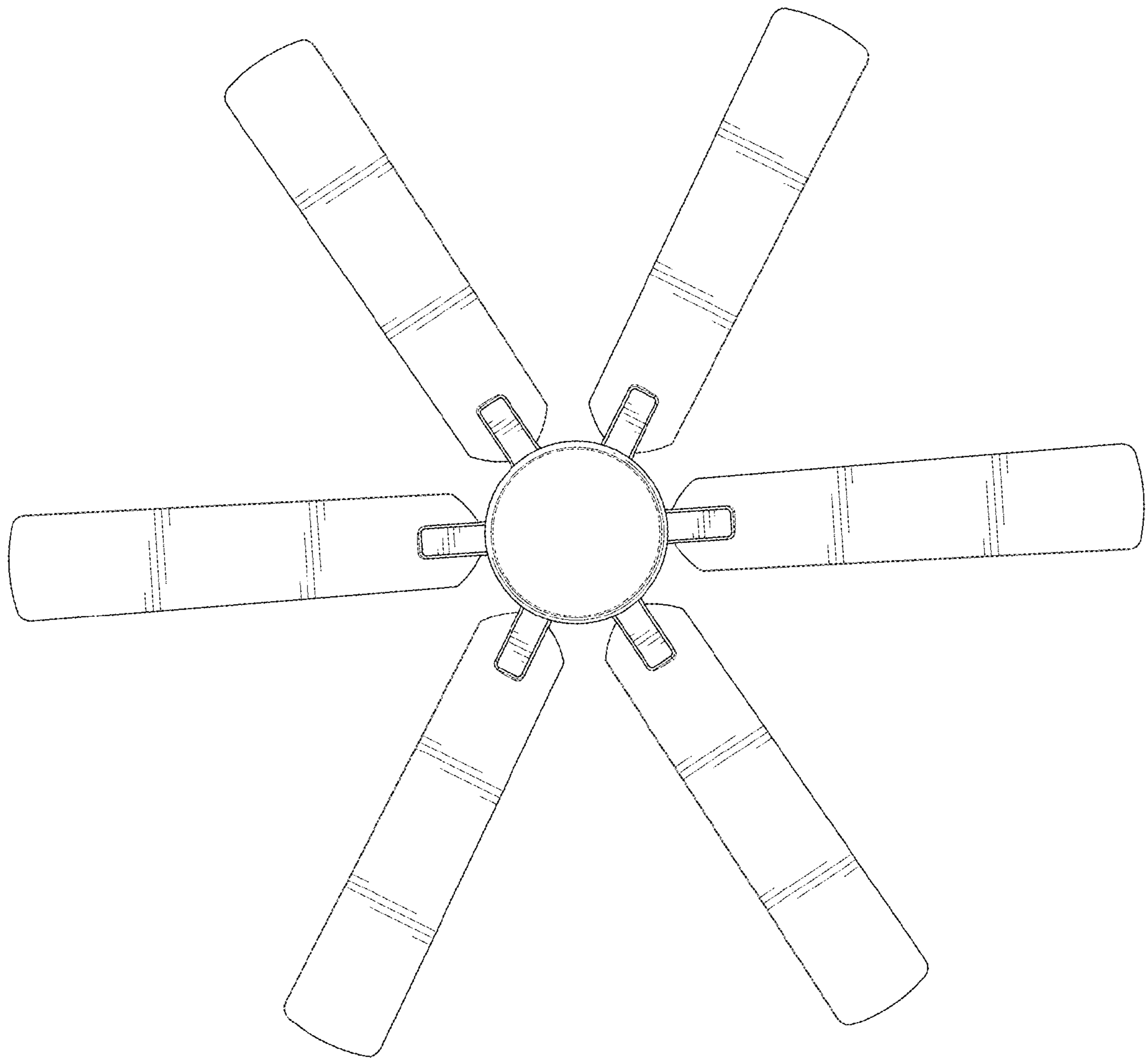


FIG. 7

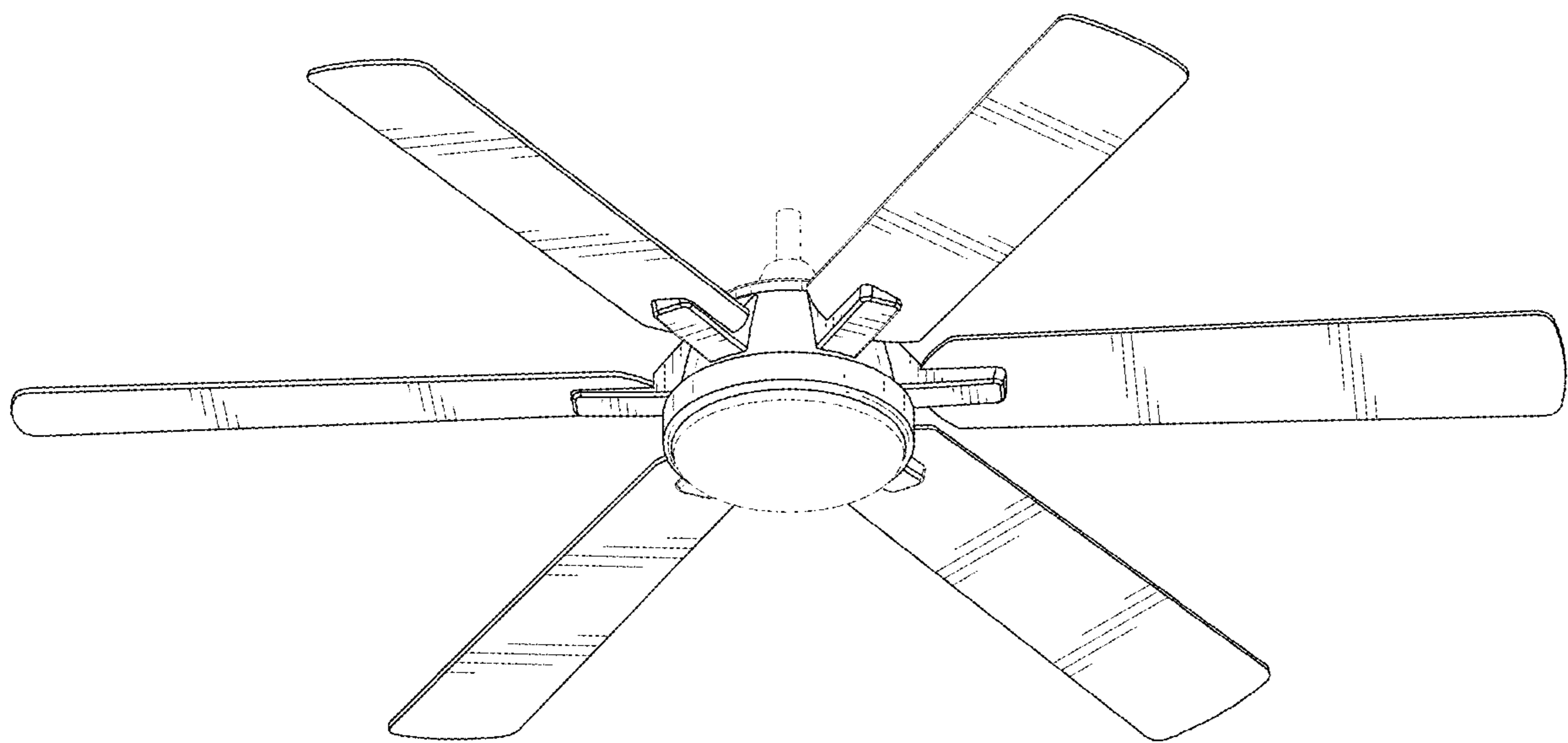


FIG. 8