



US00D873987S

(12) **United States Design Patent**  
**Biancuzzo**

(10) **Patent No.:** **US D873,987 S**  
(45) **Date of Patent:** **\*\* Jan. 28, 2020**

- (54) **CEILING FAN**
- (71) Applicant: **AIR COOL INDUSTRIAL CO., LTD.**, Taichung (TW)
- (72) Inventor: **Francisco Biancuzzo**, Davie, FL (US)
- (73) Assignee: **AIR COOL INDUSTRIAL CO., LTD.**, Taichung (TW)
- (\*\*) Term: **15 Years**

D771,795 S	*	11/2016	Wang	.....	D23/411
D772,393 S	*	11/2016	Wang	.....	D23/377
D795,411 S	*	8/2017	Wang	.....	D23/377
D802,114 S	*	11/2017	Busta	.....	D23/377
D804,646 S	*	12/2017	Schulzman	.....	D23/411
D831,187 S	*	10/2018	Schulzman	.....	D23/377
D833,593 S	*	11/2018	Hidalgo	.....	D23/377
D833,594 S	*	11/2018	Wang	.....	D23/377
D838,357 S	*	1/2019	Haggar	.....	D23/411
D858,735 S	*	9/2019	Wang	.....	D23/377
D860,429 S	*	9/2019	Orozco	.....	D23/377

\* cited by examiner

- (21) Appl. No.: **29/675,858**
- (22) Filed: **Jan. 5, 2019**
- (51) **LOC (12) Cl.** ..... **23-04**
- (52) **U.S. Cl.**  
USPC ..... **D23/377**
- (58) **Field of Classification Search**  
USPC ..... D23/377, 370-376, 378-394, 411-414,  
D23/499; D26/51, 59, 72, 79, 92, 124  
CPC .... F04D 25/088; F04D 29/322; F04D 29/324;  
F04D 29/388; F04D 29/601  
See application file for complete search history.

*Primary Examiner* — Marie D. Fast Horse  
(74) *Attorney, Agent, or Firm* — Pai Patent & Trademark Law Firm; Chao-Chang David Pai

(57) **CLAIM**

The ornamental design for a ceiling fan, as shown and described.

**DESCRIPTION**

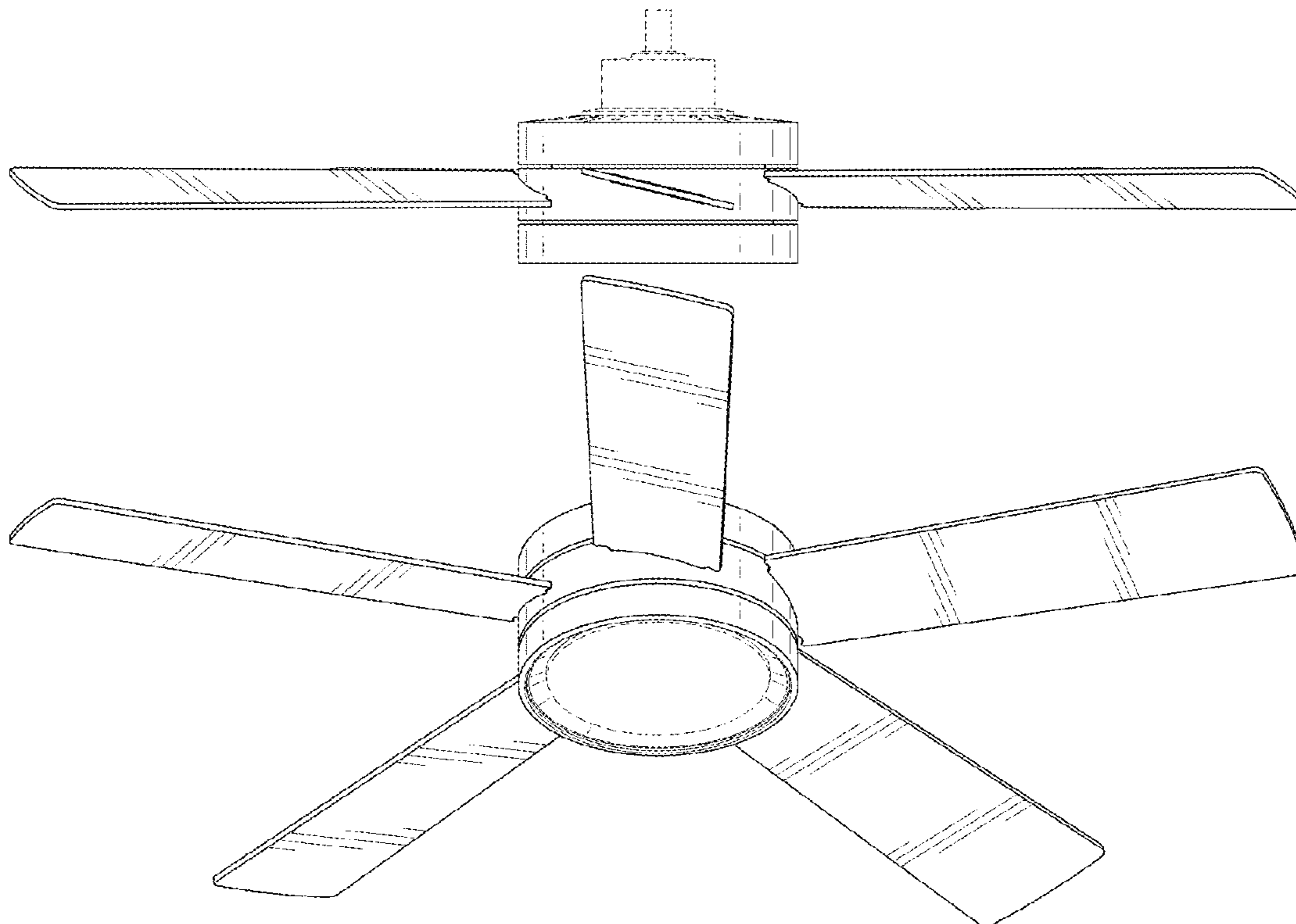
FIG. 1 is a front top perspective view of a ceiling fan showing my new design;  
FIG. 2 is a front elevational view thereof;  
FIG. 3 is a rear elevational view thereof;  
FIG. 4 is a left side elevational view thereof;  
FIG. 5 is a right side elevational view thereof;  
FIG. 6 is a top plan view thereof;  
FIG. 7 is a bottom plan view thereof; and,  
FIG. 8 is a front bottom perspective view thereof.  
The broken lines depict portions of the ceiling fan that form no part of the claimed design.

(56) **References Cited**

U.S. PATENT DOCUMENTS

D547,436 S	*	7/2007	Shurtleff	.....	D23/411
D627,053 S	*	11/2010	Pan	.....	D23/411
D632,384 S	*	2/2011	Pan	.....	D23/411
D706,970 S	*	6/2014	Wang	.....	D26/59
D717,935 S	*	11/2014	Strecker	.....	D23/377
D771,794 S	*	11/2016	Wang	.....	D23/411

**1 Claim, 6 Drawing Sheets**



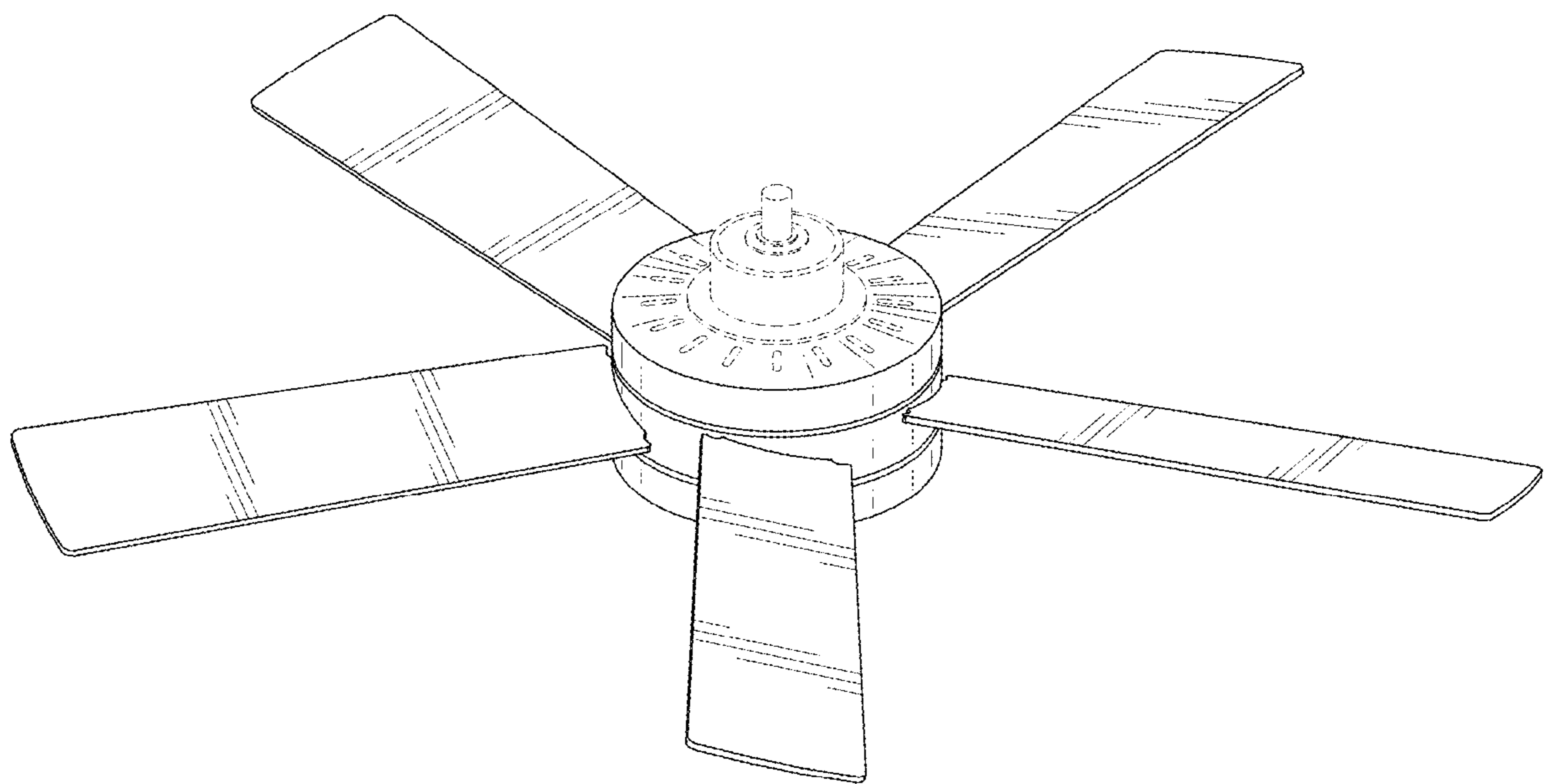


FIG. 1

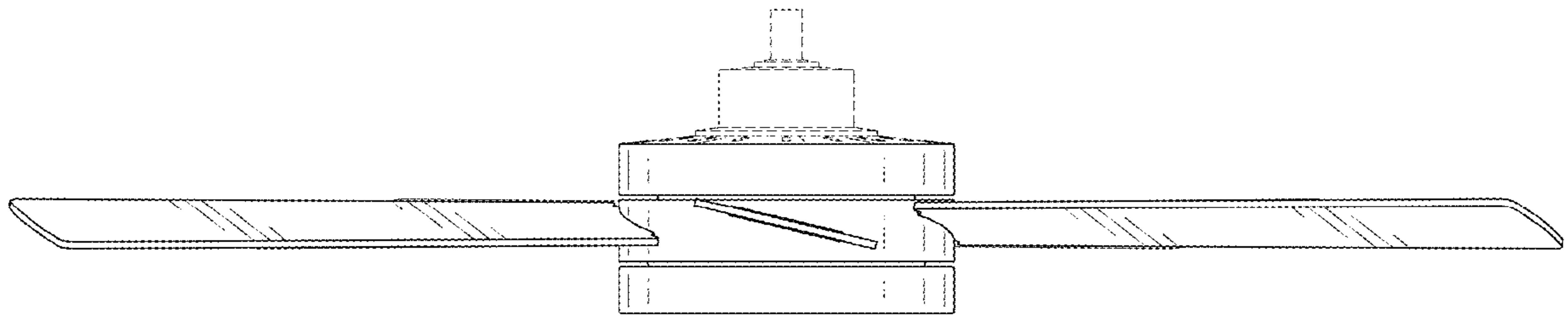


FIG. 2

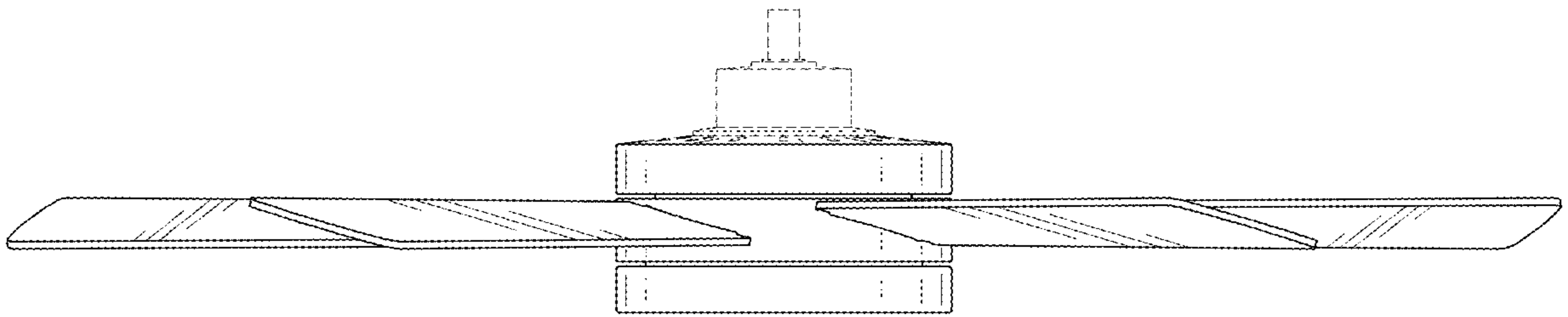


FIG. 3

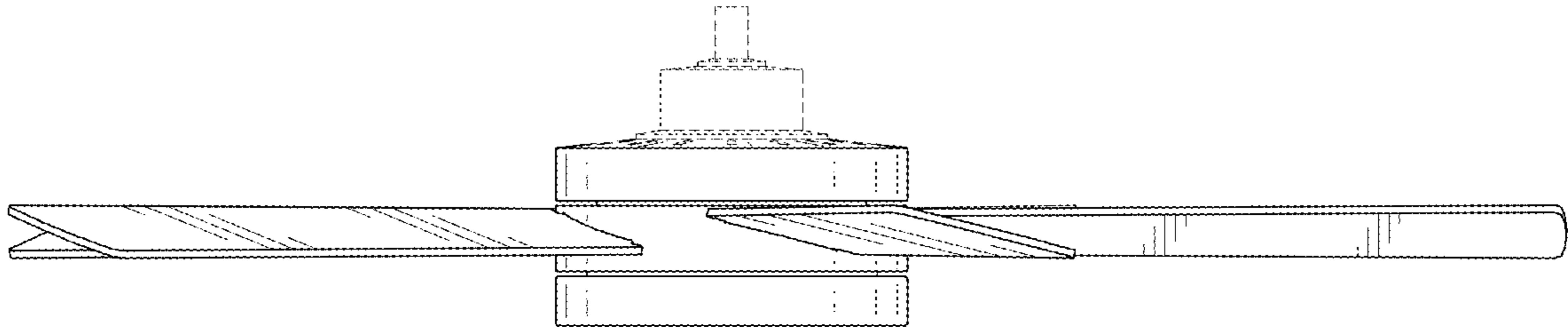


FIG. 4

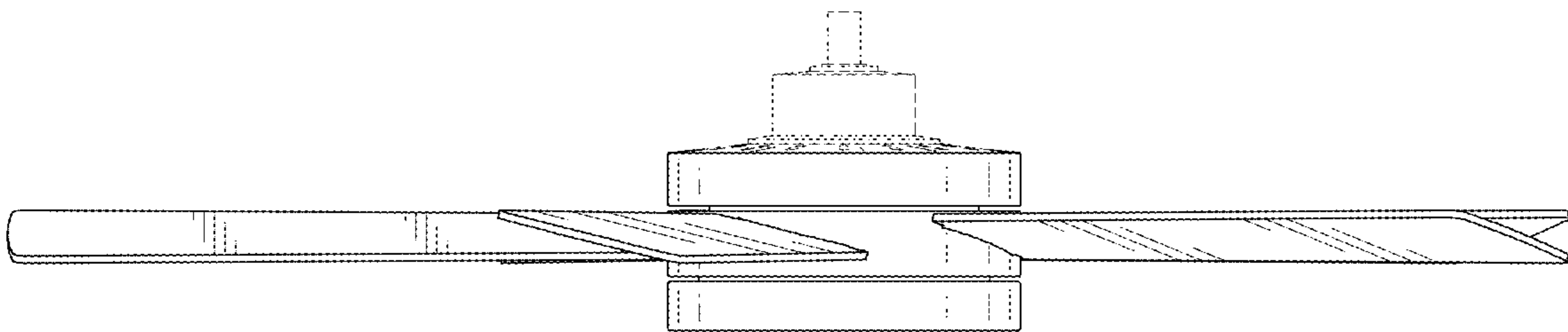


FIG. 5

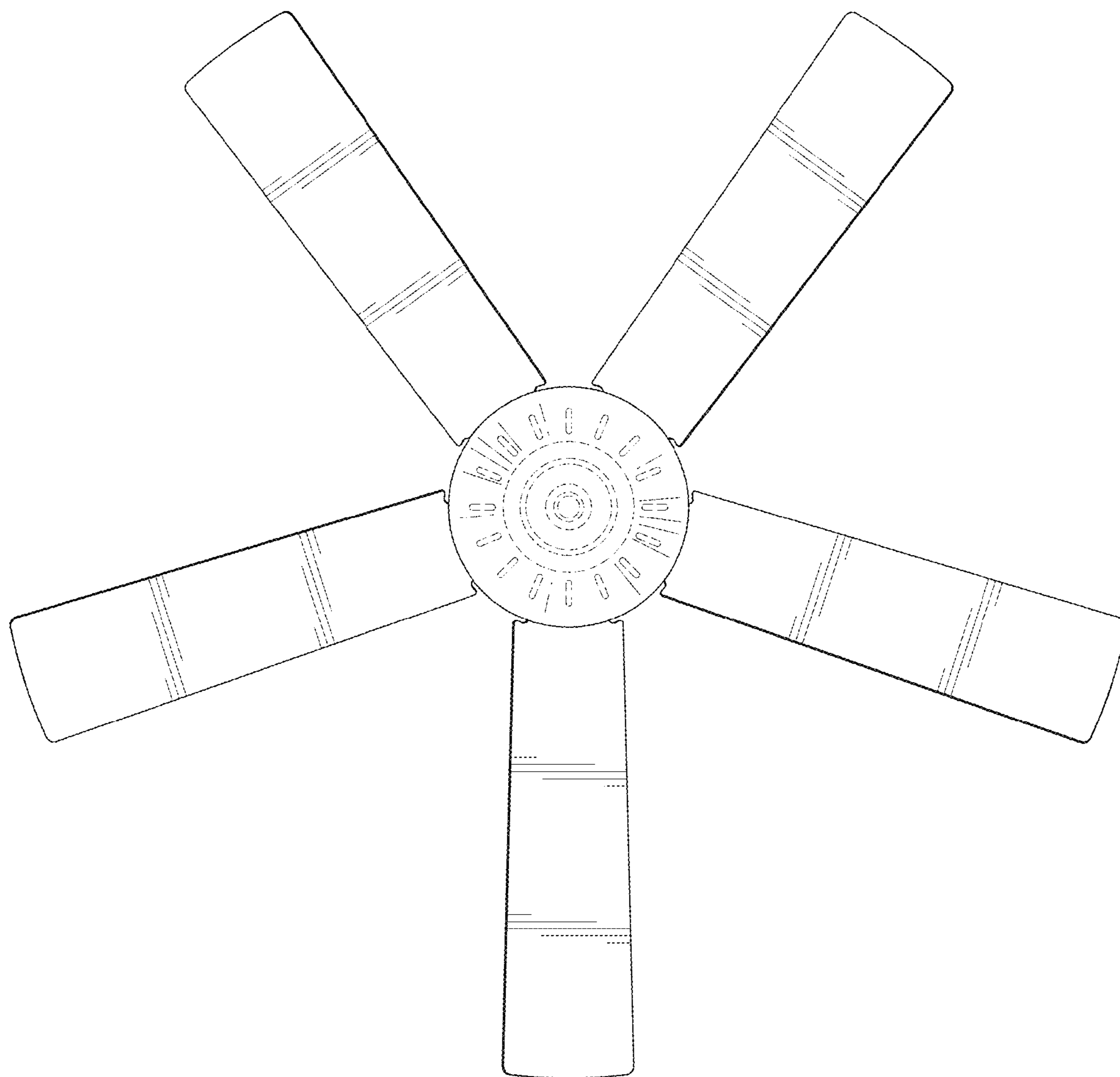


FIG. 6

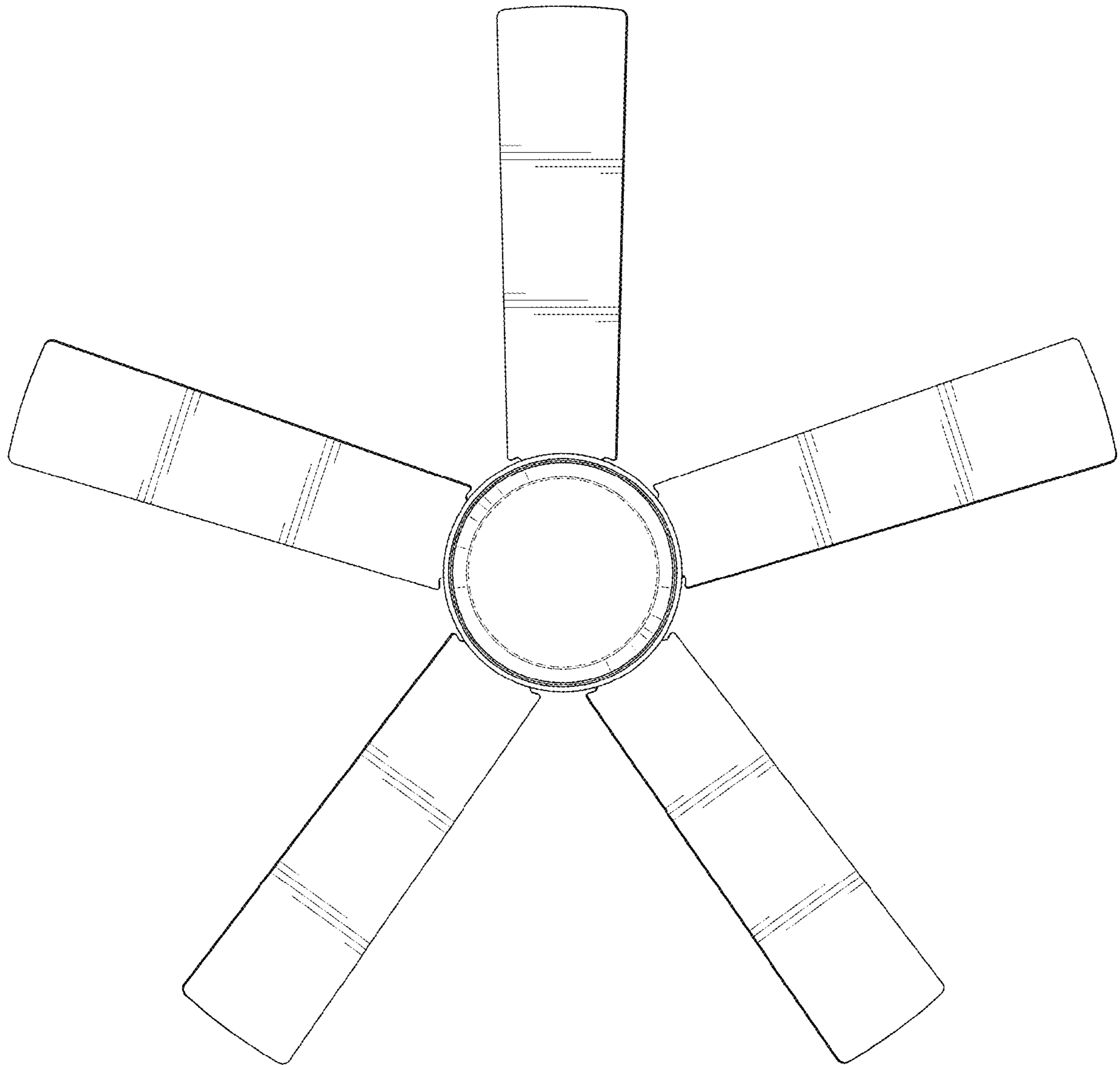


FIG. 7

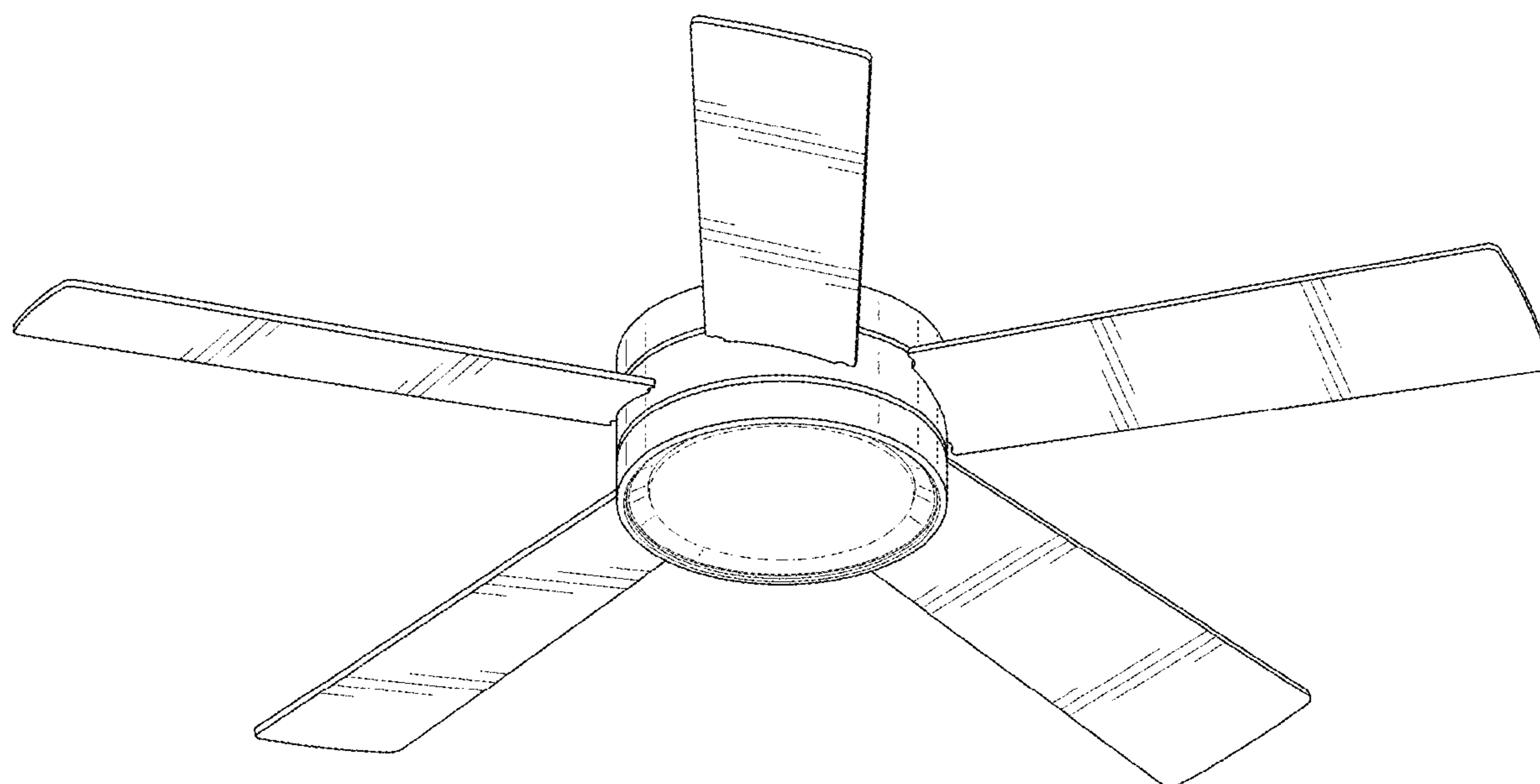


FIG. 8