



US00D873986S

(12) **United States Design Patent**  
**Biancuzzo**

(10) **Patent No.:** **US D873,986 S**

(45) **Date of Patent:** **\*\* Jan. 28, 2020**

(54) **CEILING FAN**

(71) Applicant: **AIR COOL INDUSTRIAL CO., LTD.**, Taichung (TW)

(72) Inventor: **Francisco Biancuzzo**, Davie, FL (US)

(73) Assignee: **AIR COOL INDUSTRIAL CO., LTD.**, Taichung (TW)

(\*\*) Term: **15 Years**

(21) Appl. No.: **29/675,856**

(22) Filed: **Jan. 5, 2019**

(51) **LOC (12) Cl.** ..... **23-04**

(52) **U.S. Cl.**  
USPC ..... **D23/377**

(58) **Field of Classification Search**  
USPC ..... D23/377, 370-376, 378-394, 411-414,  
D23/499; D26/51, 59, 72, 79, 92, 124  
CPC .... F04D 25/088; F04D 29/322; F04D 29/324;  
F04D 29/388; F04D 29/601  
See application file for complete search history.

(56) **References Cited**

**U.S. PATENT DOCUMENTS**

D311,247 S	*	10/1990	Sonneman	.....	D23/377
D312,687 S	*	12/1990	Mason	.....	D23/377
D435,643 S	*	12/2000	Williams	.....	D23/377
D451,993 S	*	12/2001	Hsieh	.....	D23/377
D517,203 S	*	3/2006	Young	.....	D23/413
D519,625 S	*	4/2006	Young	.....	D23/377
D529,163 S	*	9/2006	Young	.....	D23/377
D534,273 S	*	12/2006	Pan	.....	D23/411
D628,687 S	*	12/2010	Yao	.....	D23/377
D671,635 S	*	11/2012	Pan	.....	D23/377
D705,921 S	*	5/2014	Wang	.....	D23/385
D706,406 S	*	6/2014	Wang	.....	D23/385
D744,081 S	*	11/2015	Wang	.....	D26/59

D744,634 S	*	12/2015	Wang	.....	D23/411
9,726,191 B2	*	8/2017	Wang	.....	F04D 25/088
D801,514 S	*	10/2017	Wang	.....	D23/411
D801,516 S	*	10/2017	Wang	.....	D23/413
D809,118 S	*	1/2018	Guthrie	.....	D23/377
D810,270 S	*	2/2018	Wang	.....	D23/411
D850,606 S	*	6/2019	Wang	.....	D23/377
D862,755 S	*	10/2019	Haggar	.....	D26/59

**OTHER PUBLICATIONS**

fps7967bn 44 inch blade cap. fanimation.com (online) 2 pgs. Uploaded Jan. 2013 [retrieved on Jan. 30, 2015]. Retrieved from Internet: [http://blog.fanimation.com/2013/01/fannam-style/fps7967bn\\_44-inch-blade\\_cap/](http://blog.fanimation.com/2013/01/fannam-style/fps7967bn_44-inch-blade_cap/).\*

\* cited by examiner

*Primary Examiner* — Marie D. Fast Horse  
(74) *Attorney, Agent, or Firm* — Pai Patent & Trademark Law Firm; Chao-Chang David Pai

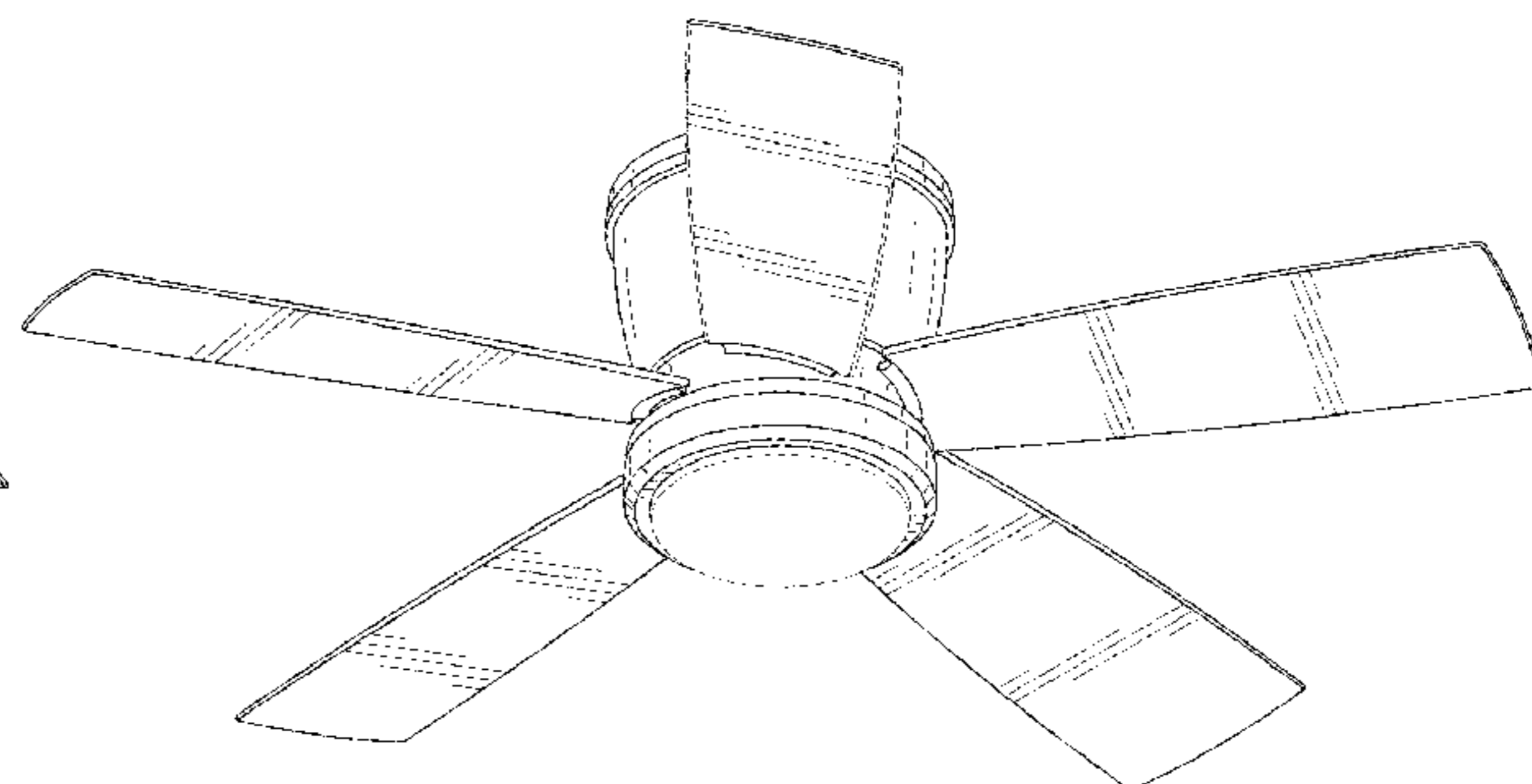
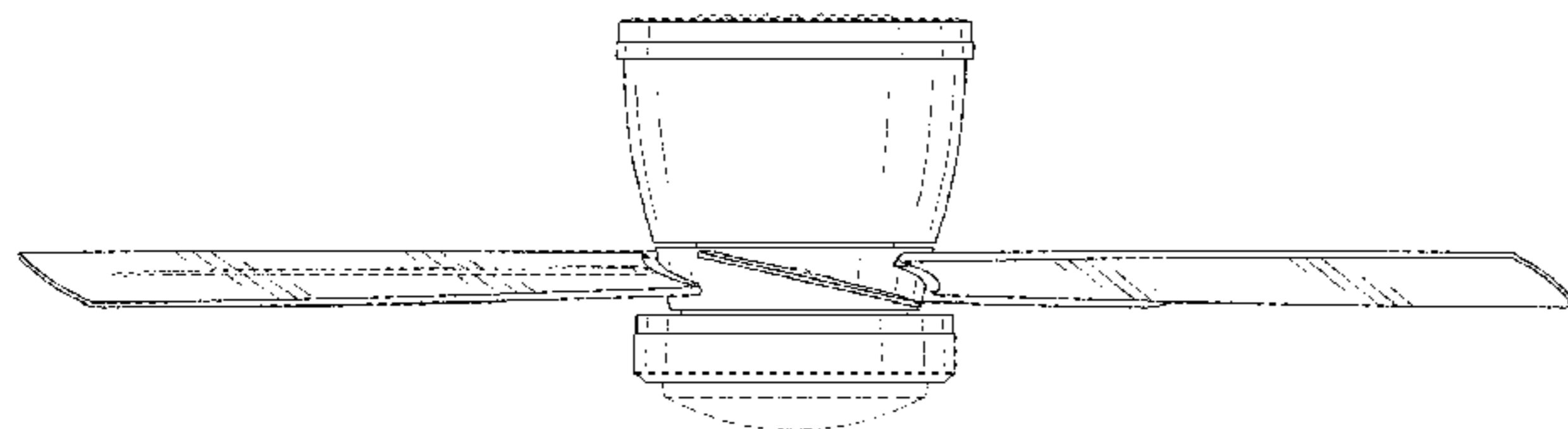
(57) **CLAIM**

The ornamental design for a ceiling fan, as shown and described.

**DESCRIPTION**

FIG. 1 is a front top perspective view of a ceiling fan showing my new design;  
FIG. 2 is a front elevational view thereof;  
FIG. 3 is a rear elevational view thereof;  
FIG. 4 is a left side elevational view thereof;  
FIG. 5 is a right side elevational view thereof;  
FIG. 6 is a top plan view thereof;  
FIG. 7 is a bottom plan view thereof; and,  
FIG. 8 is a front bottom perspective view thereof.  
The broken lines depict portions of the ceiling fan that form no part of the claimed design.

**1 Claim, 6 Drawing Sheets**



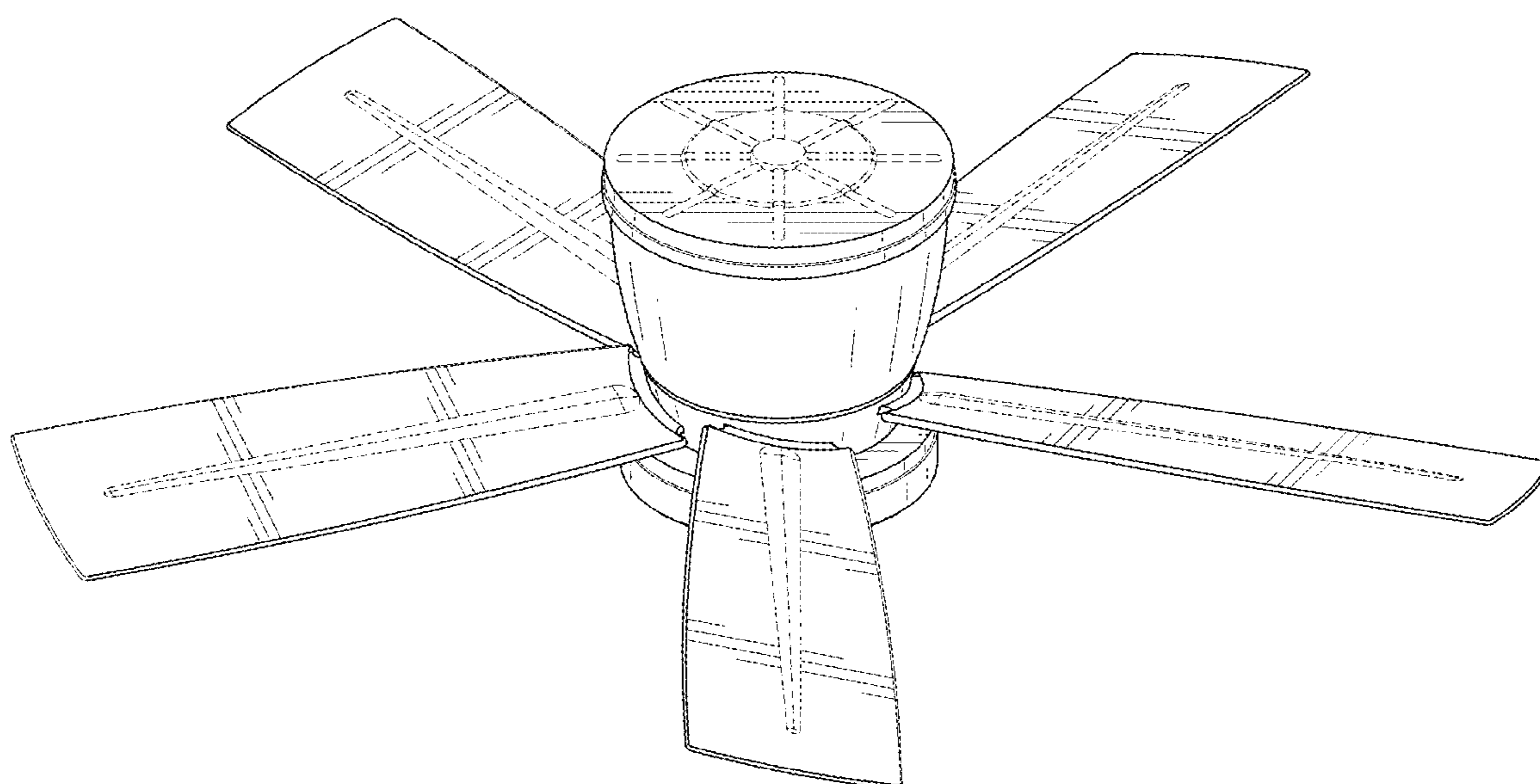


FIG. 1

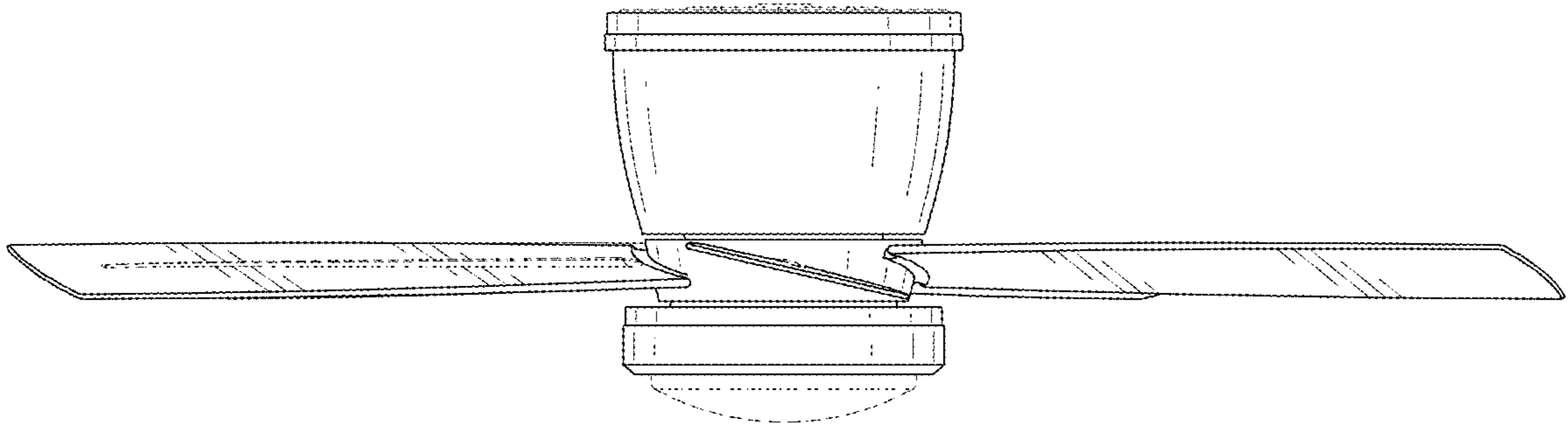


FIG. 2

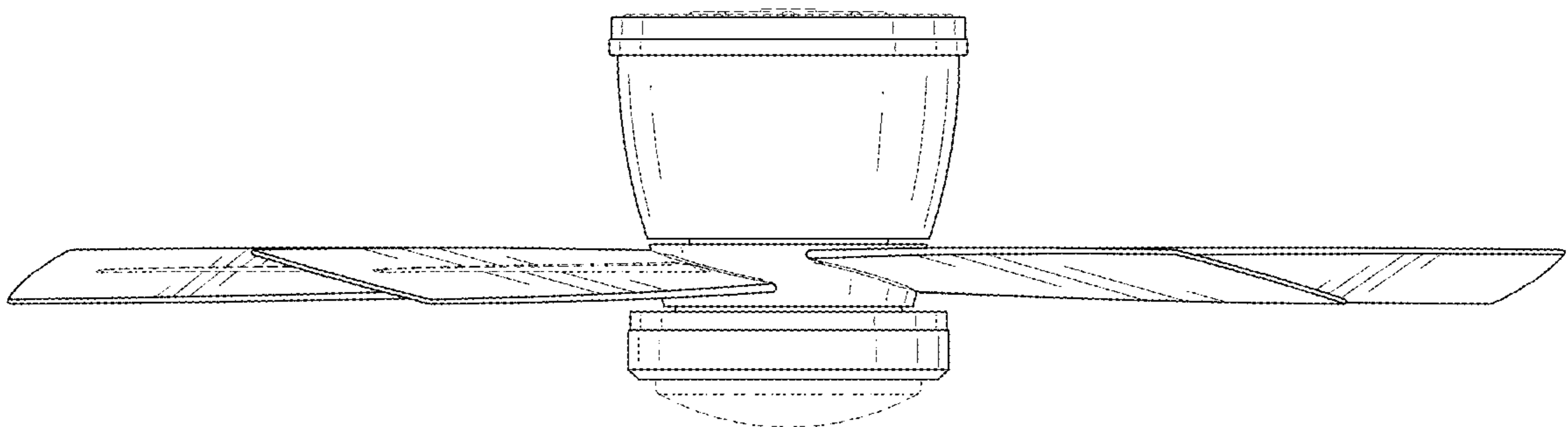


FIG. 3

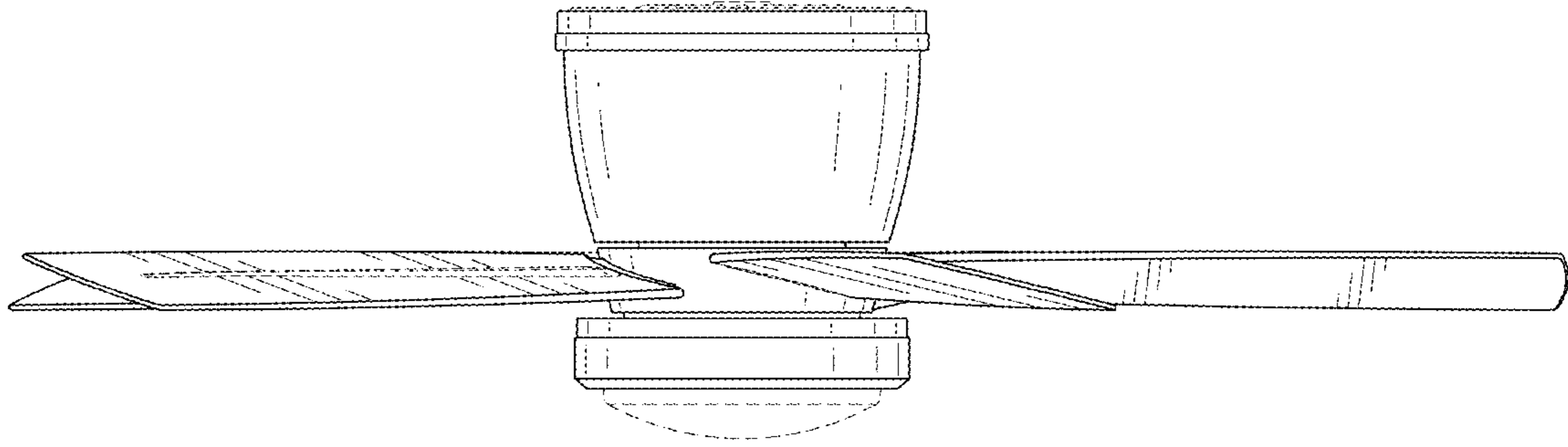


FIG. 4

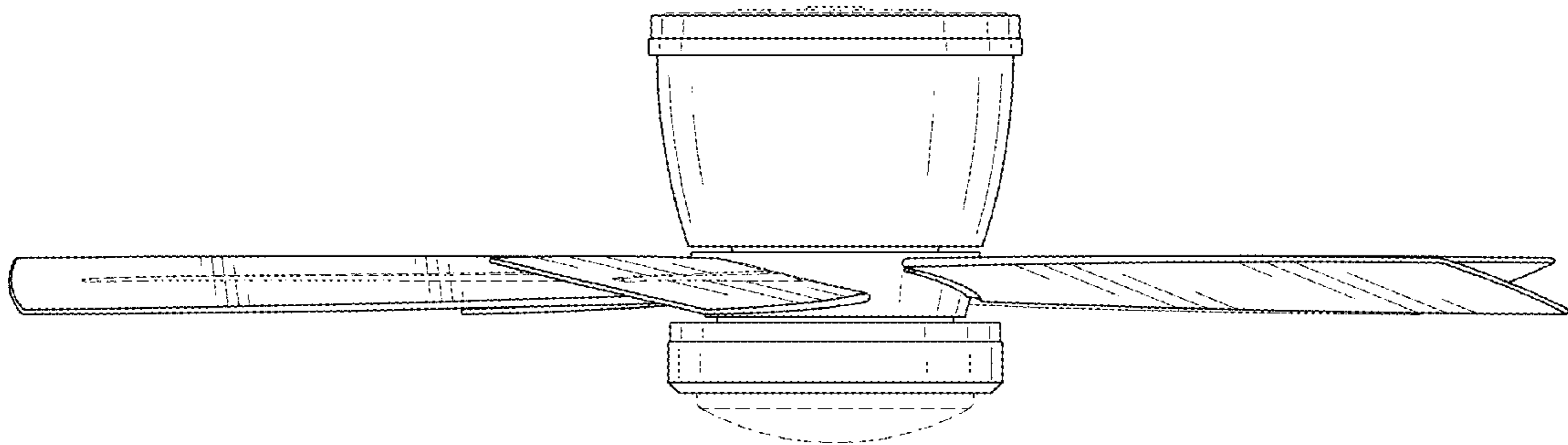


FIG. 5

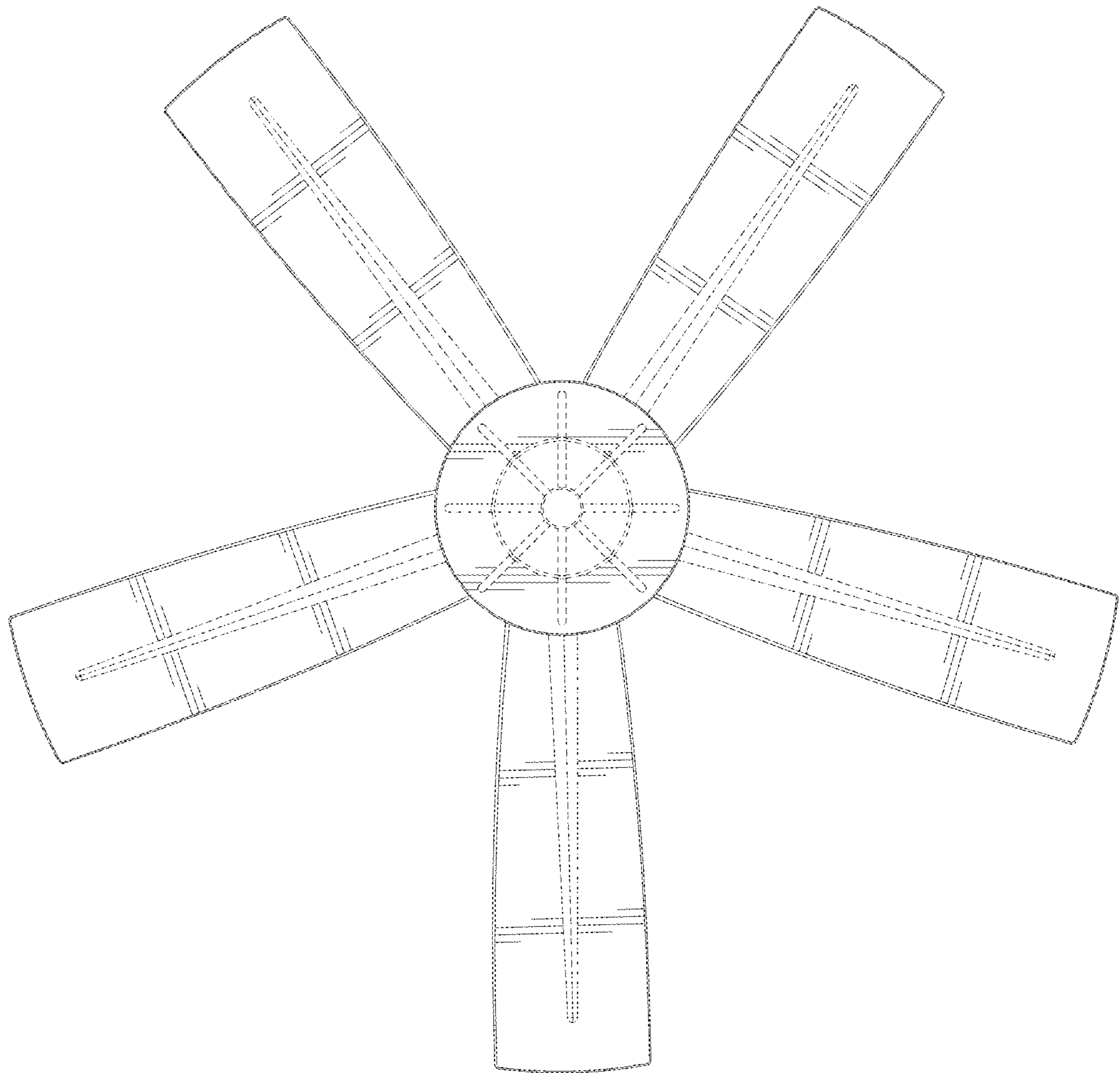


FIG. 6

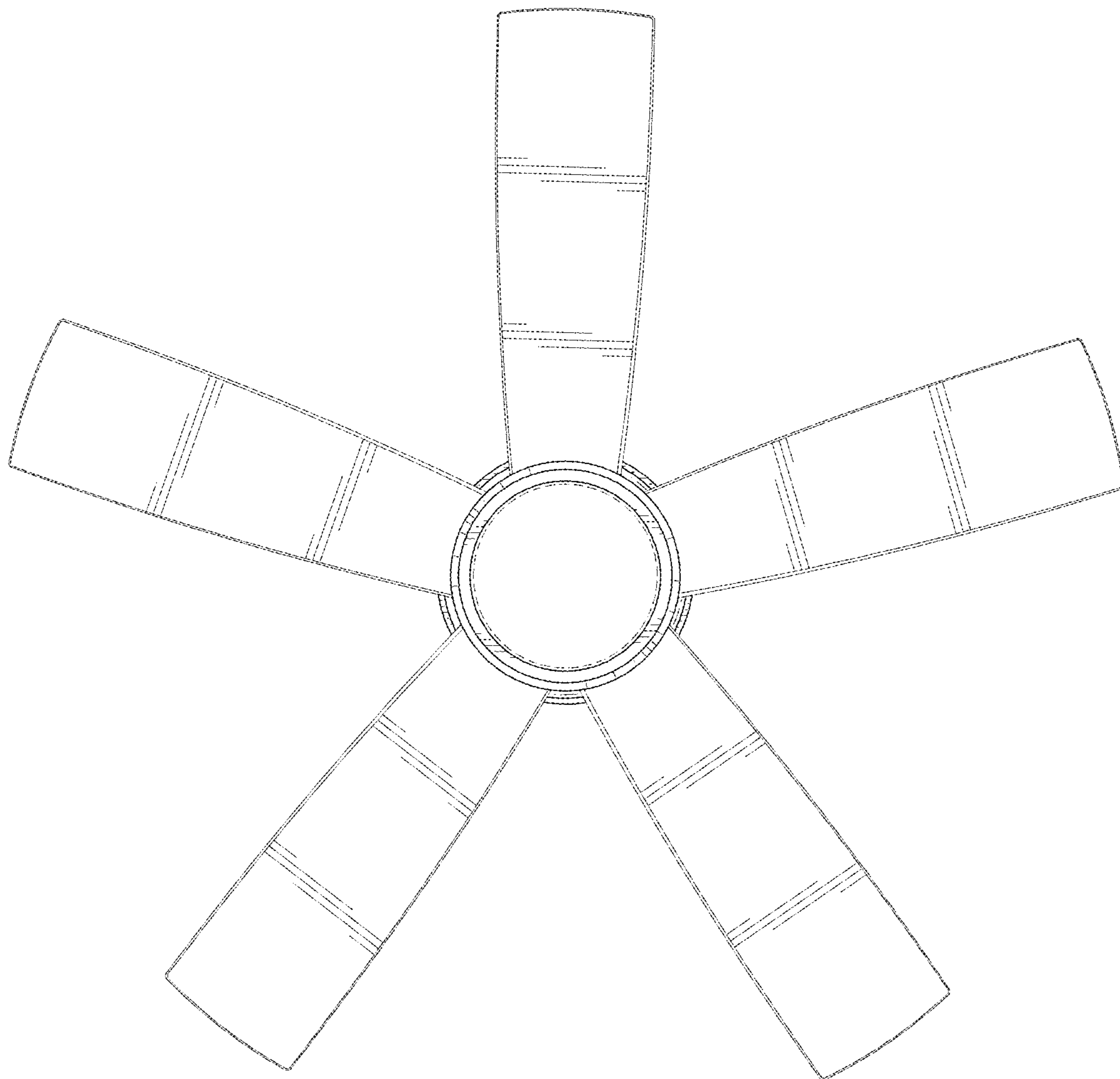


FIG. 7

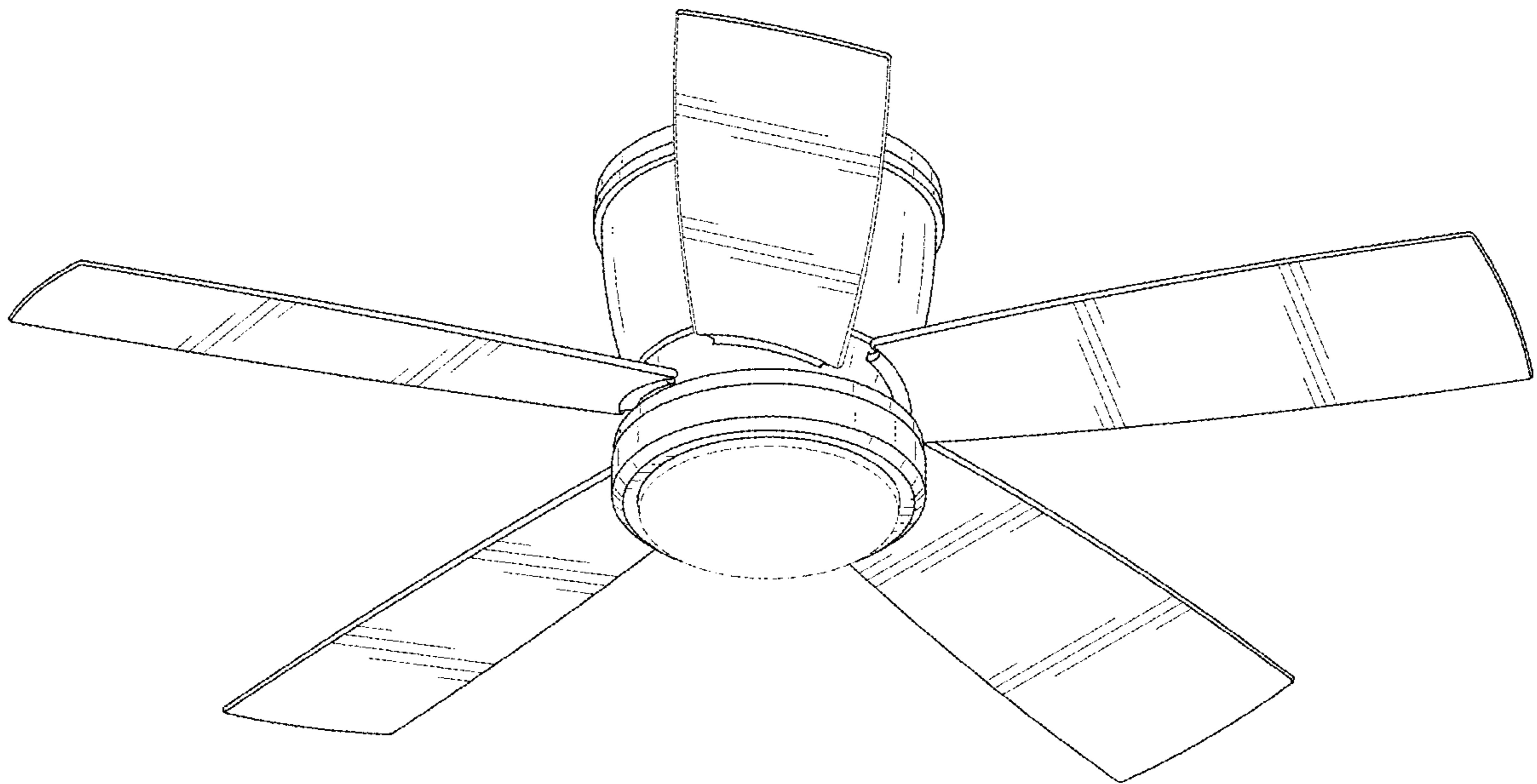


FIG. 8