



US00D873985S

(12) **United States Design Patent**  
**Wang**

(10) **Patent No.:** **US D873,985 S**  
(45) **Date of Patent:** **\*\* Jan. 28, 2020**

- (54) **CEILING FAN**
- (71) Applicant: **YOUNGO LIMITED**, Hong Kong (CN)
- (72) Inventor: **Cliff Wang**, Taichung (TW)
- (73) Assignee: **YOUNGO LIMITED**, Hong Kong (CN)

- D404,809 S \* 1/1999 Tai ..... D23/377
- D405,878 S \* 2/1999 Tai ..... D23/377
- D417,496 S \* 12/1999 Chang ..... D23/377
- D421,797 S \* 3/2000 Collmar ..... D23/377
- D427,672 S \* 7/2000 Lee ..... D23/377
- D428,984 S \* 8/2000 Lee ..... D23/377
- D448,840 S \* 10/2001 Gajewski ..... D23/377
- D453,563 S \* 2/2002 Bogazzi ..... D23/377
- D476,728 S \* 7/2003 Gajewski ..... D23/377

(Continued)

(\*\*) Term: **15 Years**

(21) Appl. No.: **29/673,257**

(22) Filed: **Dec. 13, 2018**

(51) **LOC (12) Cl.** ..... **23-04**

(52) **U.S. Cl.**  
USPC ..... **D23/377**

(58) **Field of Classification Search**  
USPC ..... D23/377, 370–376, 378–394, 411–414,  
D23/499; D26/51, 59, 72, 79, 92, 124  
CPC .... F04D 25/088; F04D 29/322; F04D 29/324;  
F04D 29/388; F04D 29/601  
See application file for complete search history.

(56) **References Cited**

**U.S. PATENT DOCUMENTS**

- 993,126 A \* 5/1911 Thompson ..... F04D 25/088  
416/142
- D304,229 S \* 10/1989 Rezek ..... D23/377
- 4,884,947 A \* 12/1989 Rezek ..... F04D 25/088  
416/5
- D322,310 S \* 12/1991 Cheng ..... D23/377
- D328,638 S \* 8/1992 Hsieh ..... D23/377
- RE34,147 E \* 12/1992 Rezek ..... F04D 25/088  
416/170 R
- D340,515 S \* 10/1993 Rezek ..... D23/377
- D342,311 S \* 12/1993 Rezek ..... D23/377
- D346,439 S \* 4/1994 Liu ..... D23/377
- D346,858 S \* 5/1994 Lee ..... D23/377
- D382,636 S \* 8/1997 Yang ..... D23/377
- D396,530 S \* 7/1998 Tai ..... D23/377
- D404,808 S \* 1/1999 Tai ..... D23/377

**OTHER PUBLICATIONS**

Ball Ceiling Fan. Modern Fan Company. (online) 24 pgs. Available as early as 2013—see reviews [Retrieved Nov. 19, 2019] [https://www.lumens.com/ball-ceiling-fan-by-modern-fan-company-PAAAIKOGAEPPCF.html#cgid=%0A%09%0A%09%0984%0A%09%0A&prefn1=Style&prefv1=Design&tileIndex=1.\\*](https://www.lumens.com/ball-ceiling-fan-by-modern-fan-company-PAAAIKOGAEPPCF.html#cgid=%0A%09%0A%09%0984%0A%09%0A&prefn1=Style&prefv1=Design&tileIndex=1.*)

(Continued)

*Primary Examiner* — Marie D. Fast Horse  
(74) *Attorney, Agent, or Firm* — Pai Patent & Trademark Law Firm; Chao-Chang David Pai

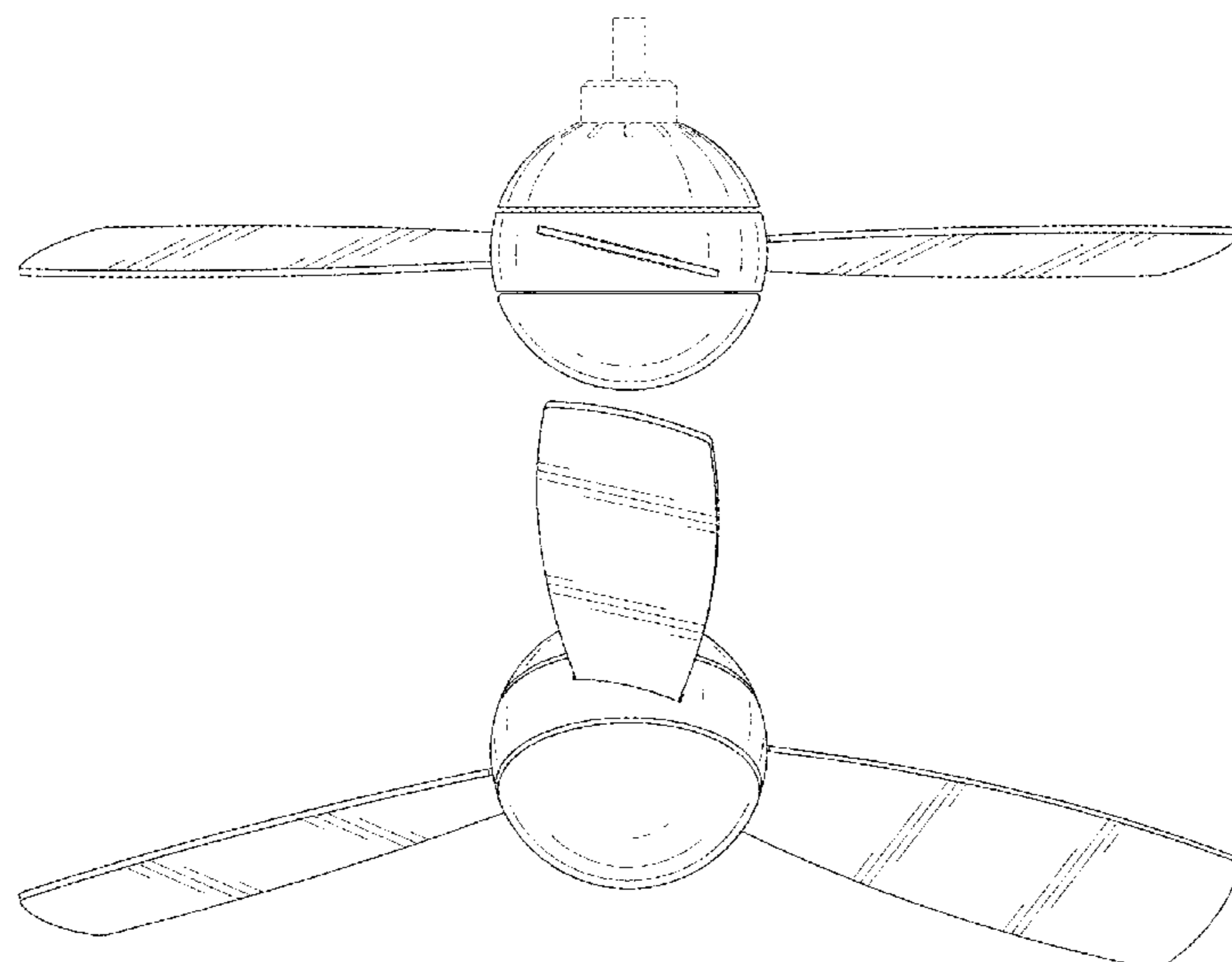
(57) **CLAIM**

The ornamental design for a ceiling fan, as shown and described.

**DESCRIPTION**

FIG. 1 is a front top perspective view of a ceiling fan showing my new design;  
FIG. 2 is a front elevational view thereof;  
FIG. 3 is a rear elevational view thereof;  
FIG. 4 is a left side elevational view thereof;  
FIG. 5 is a right side elevational view thereof;  
FIG. 6 is a top plan view thereof;  
FIG. 7 is a bottom plan view thereof; and,  
FIG. 8 is a front bottom perspective view thereof.  
The broken lines depict portions of the ceiling fan that form no part of the claimed design.

**1 Claim, 6 Drawing Sheets**



(56)

**References Cited**

U.S. PATENT DOCUMENTS

D478,974 S \* 8/2003 Hidalgo ..... D23/377  
 D479,317 S \* 9/2003 Gajewski ..... D23/377  
 D480,128 S \* 9/2003 Gajewski ..... D23/377  
 D489,124 S \* 4/2004 Young ..... D23/377  
 D505,196 S \* 5/2005 Bacon ..... D23/411  
 D510,621 S \* 10/2005 Gajewski ..... D23/377  
 D513,316 S \* 12/2005 Gajewski ..... D23/377  
 D521,142 S \* 5/2006 Gerhardt ..... D23/377  
 D525,699 S \* 7/2006 Davenport ..... D23/377  
 D598,535 S \* 8/2009 Young ..... D23/411  
 7,857,591 B2 \* 12/2010 Gajewski ..... F04D 25/088  
 415/129  
 D809,691 S \* 2/2018 Wang ..... D26/59  
 D833,596 S \* 11/2018 Schulzman ..... D23/377  
 D850,602 S \* 6/2019 Flores ..... D23/377  
 D850,604 S \* 6/2019 Gajewski ..... D23/377  
 2005/0207140 A1 \* 9/2005 Srass ..... F04D 25/088  
 362/96

2006/0024165 A1 \* 2/2006 Gajewski ..... F04D 25/088  
 416/210 R  
 2008/0286105 A1 \* 11/2008 Gajewski ..... F04D 25/088  
 416/155  
 2009/0053059 A1 \* 2/2009 Lung-Fa ..... F04D 25/088  
 416/5  
 2011/0044045 A1 \* 2/2011 Kostka ..... F04D 25/088  
 362/253

OTHER PUBLICATIONS

Kichler Bisc 56 in Indoor Ceiling Fan. (online) 12 pgs. Available as early as Sep. 7, 2017—see reviews [Retrieved Nov. 20, 2019] <https://www.walmart.com/ip/Kichler-Bisc-56-in-Indoor-Ceiling-Fan/157454435>.\*

54\_ Minka Aire Orb Brushed Carbon LED Ceiling Fan. (online) 5 pgs. Available as early as Oct. 12, 2019—see reviews [Retrieved Nov. 20, 2019] [https://www.lampsplus.com/products/54-inch-minka-aire-orb-brushed-carbon-led-ceiling-fan\\_67y94.html](https://www.lampsplus.com/products/54-inch-minka-aire-orb-brushed-carbon-led-ceiling-fan_67y94.html).\*

\* cited by examiner

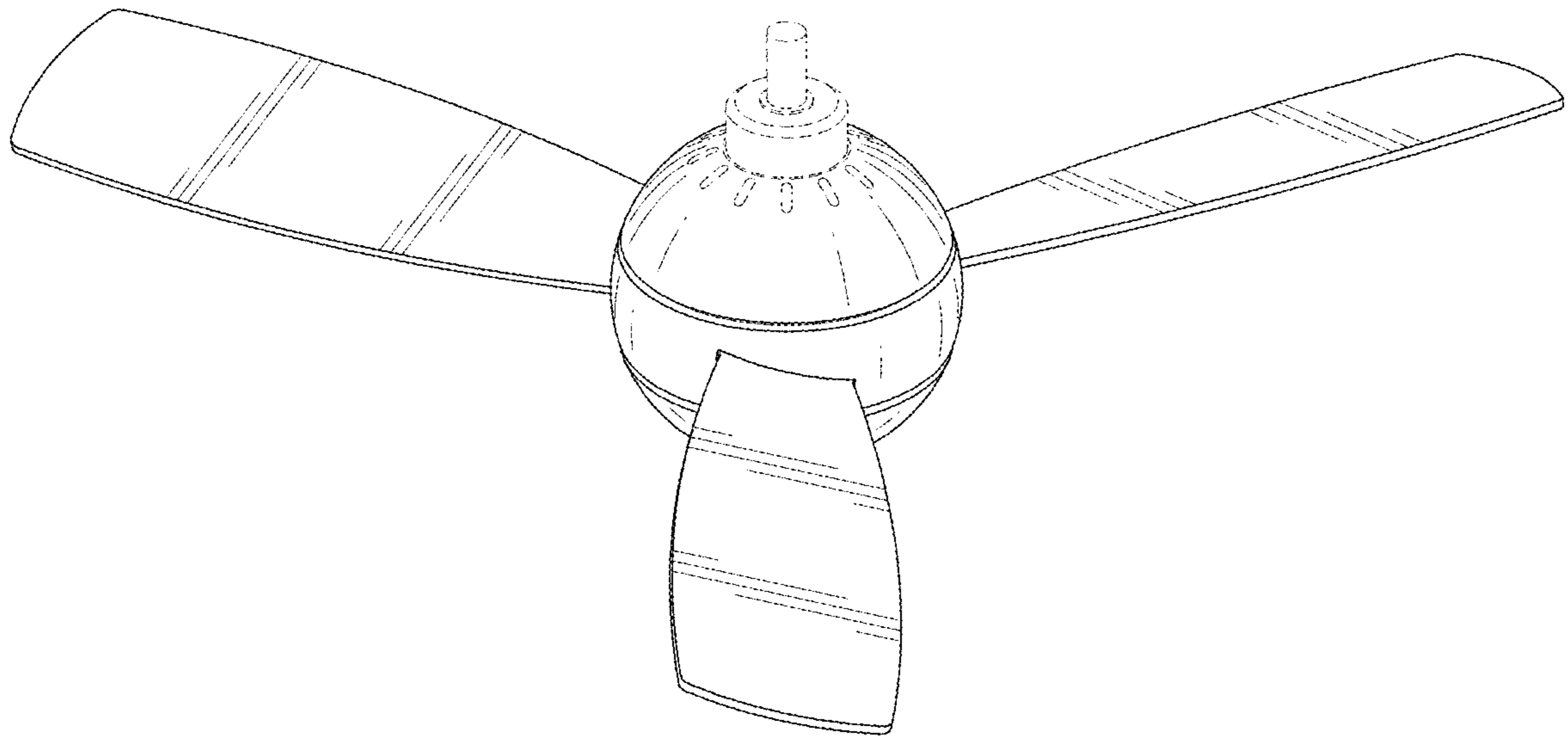


FIG. 1

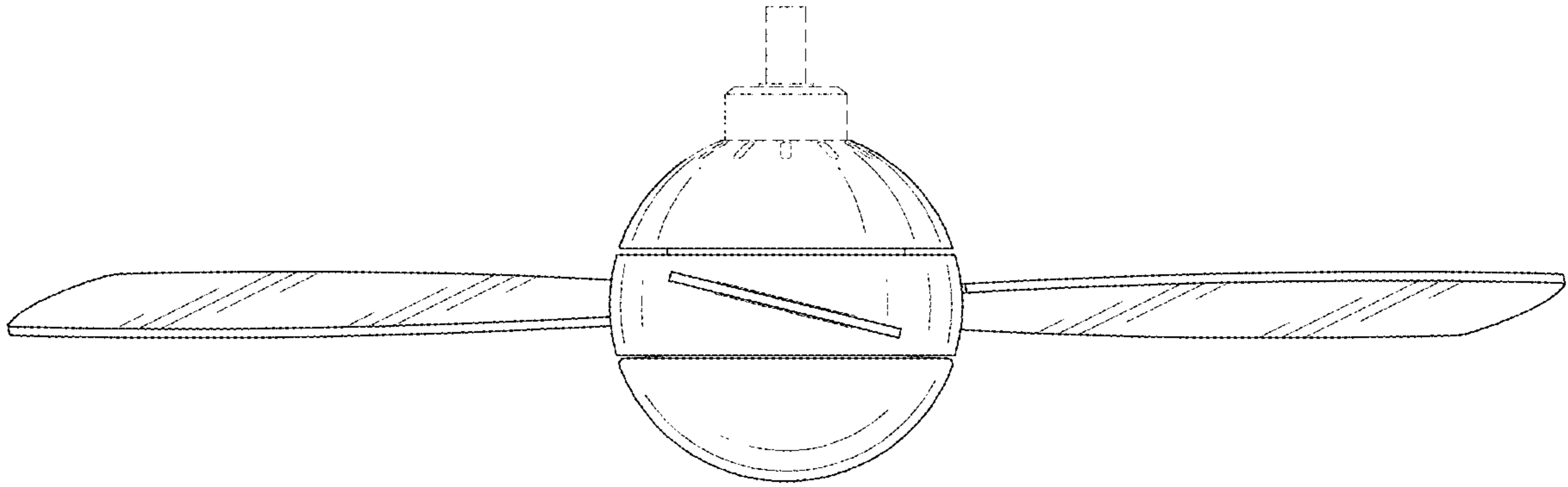


FIG. 2

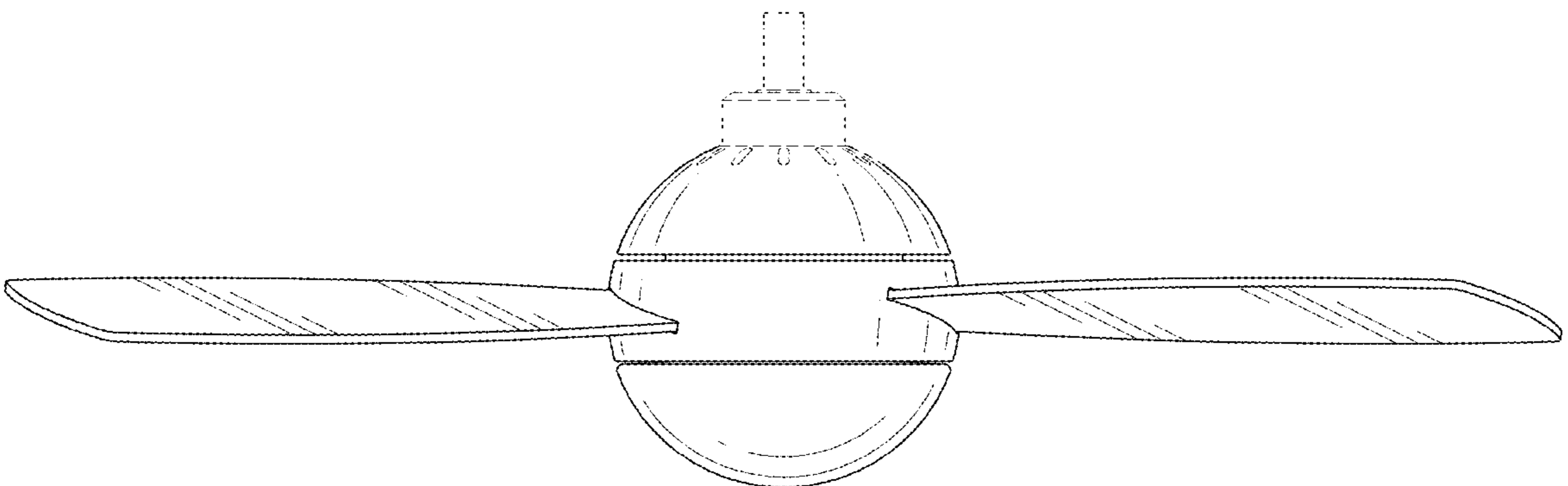


FIG. 3

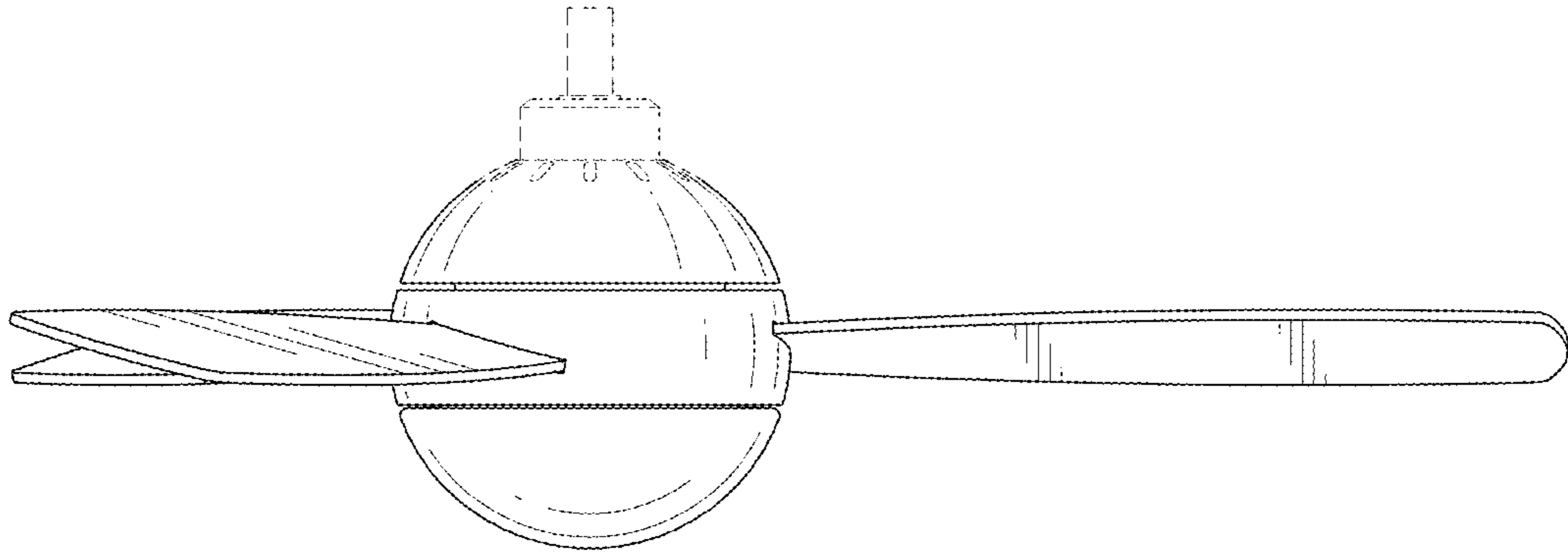


FIG. 4

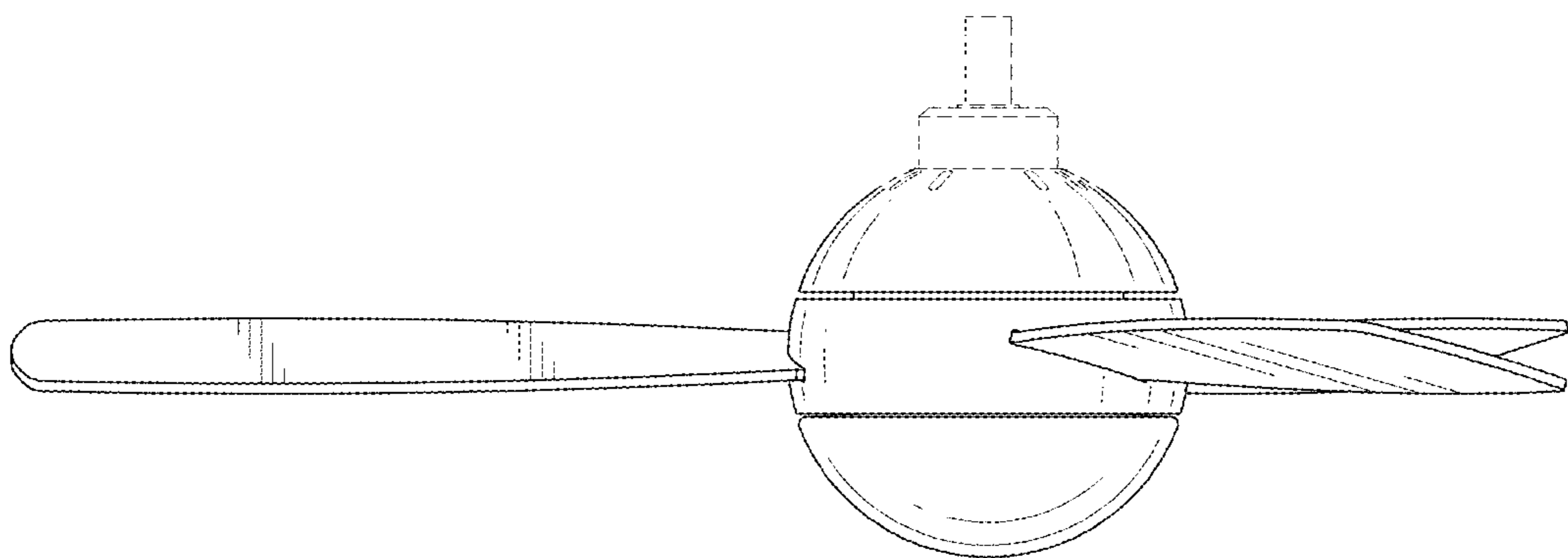


FIG. 5

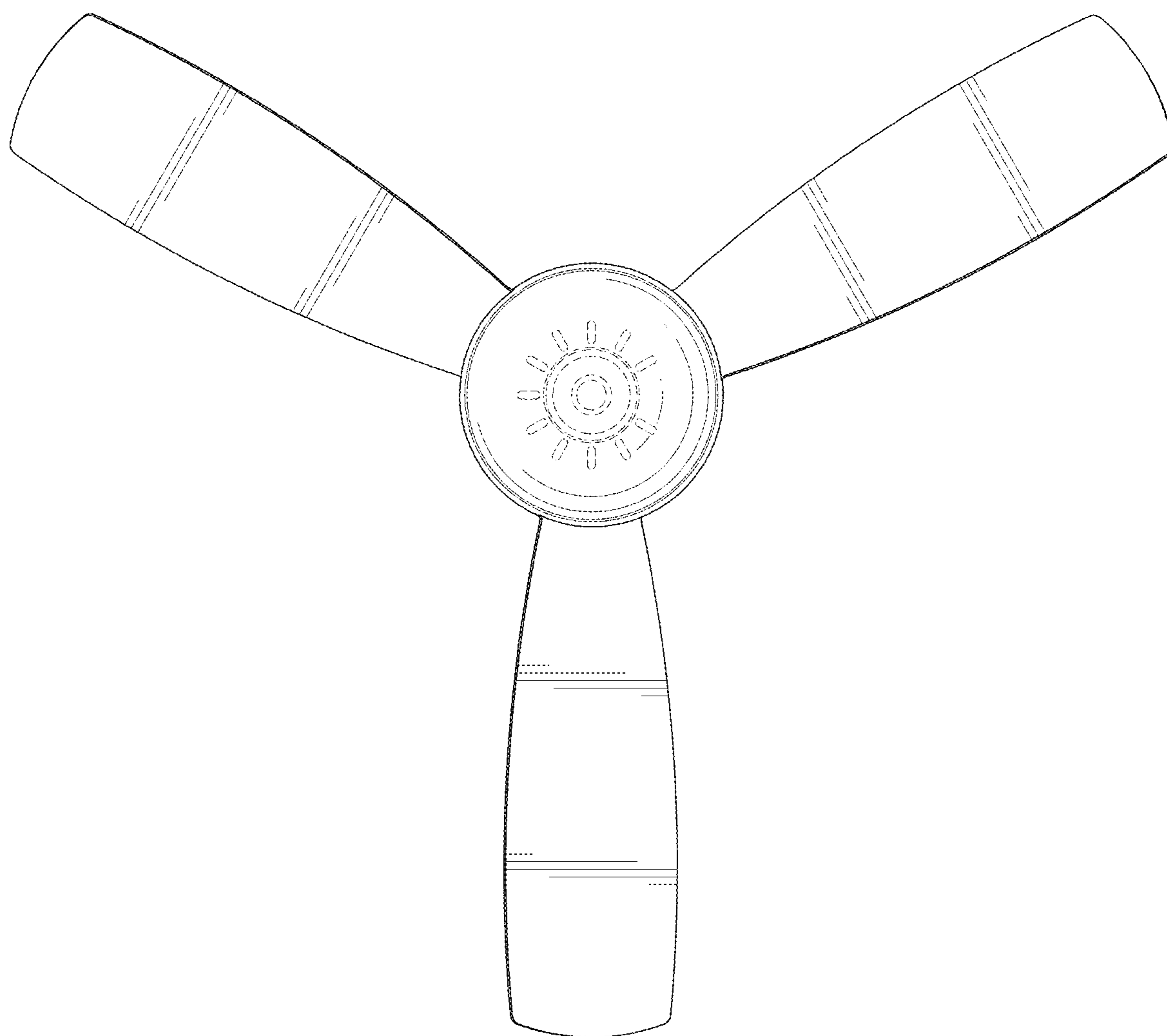


FIG. 6

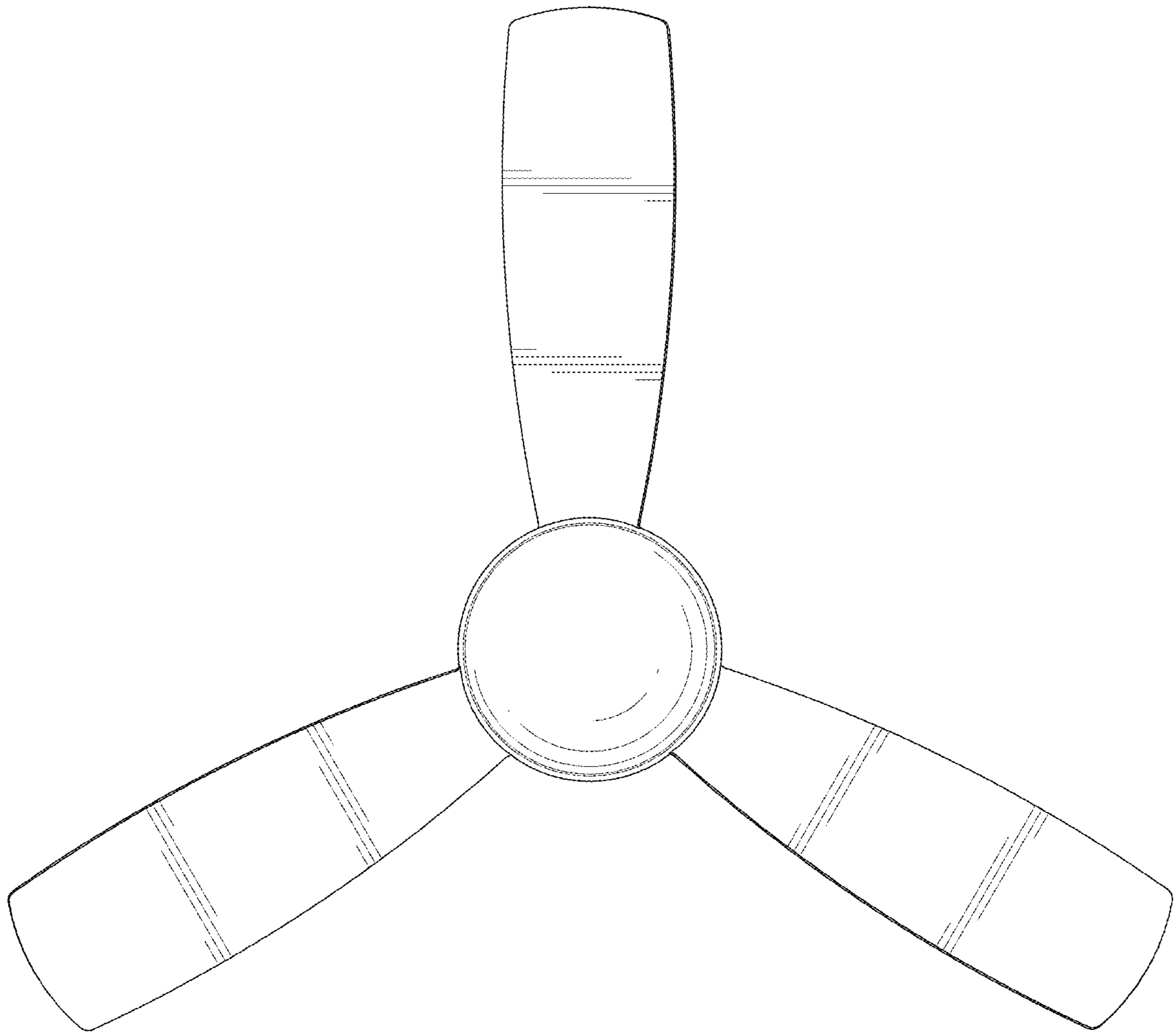


FIG. 7

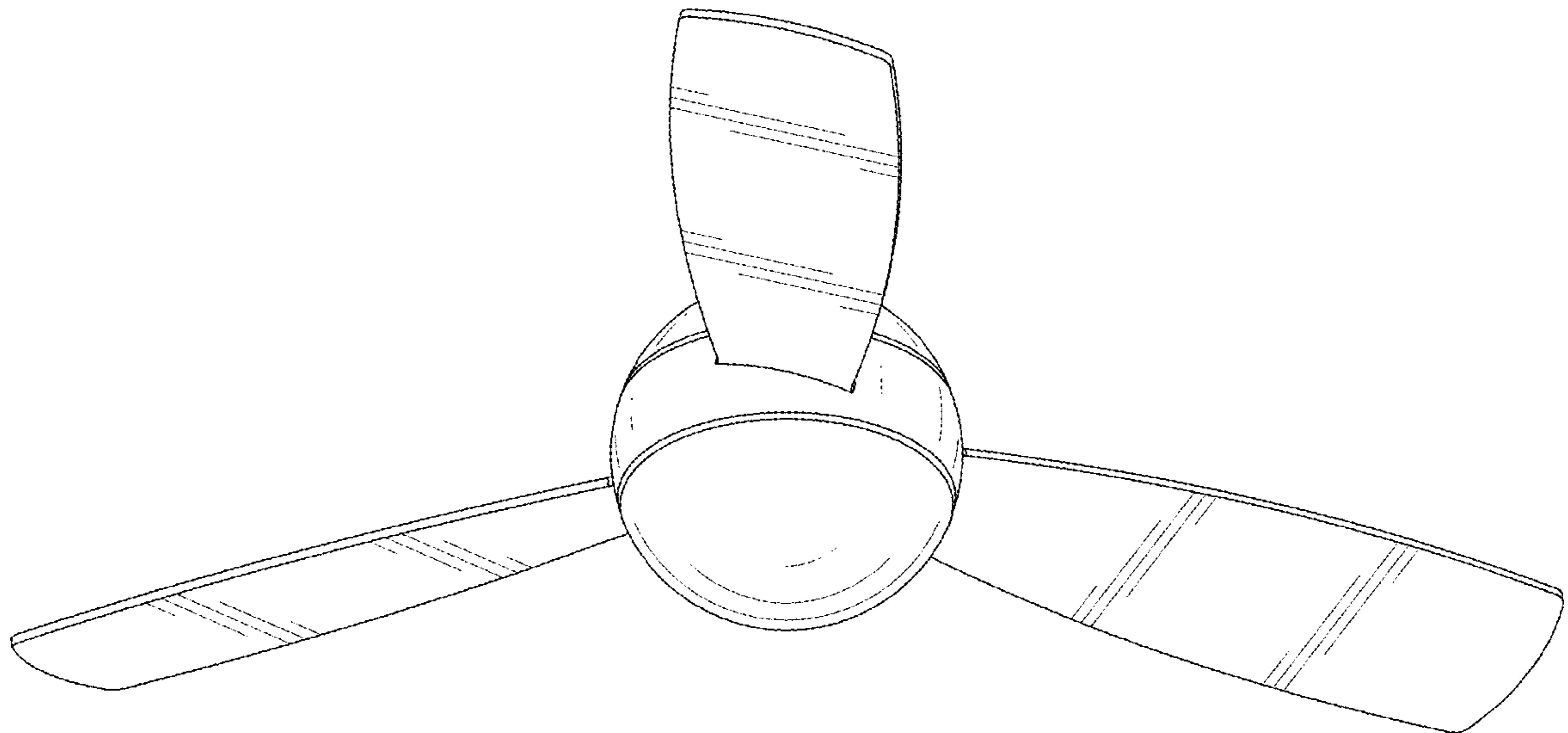


FIG. 8