



US00D873983S

(12) **United States Design Patent**
Drummond et al.

(10) **Patent No.:** **US D873,983 S**

(45) **Date of Patent:** **** Jan. 28, 2020**

- (54) **HOUSING FOR A FIRE PIT**
- (71) Applicant: **BioLite LLC**, Brooklyn, NY (US)
- (72) Inventors: **Alexander H. Drummond**, Portland, OR (US); **Jonathan N. Cedar**, Brooklyn, NY (US); **Timothy M. Connelly**, Brooklyn, NY (US); **Melinda Abbruzzi**, Brooklyn, NY (US)
- (73) Assignee: **BioLite Inc.**, Brooklyn, NY (US)
- (**) Term: **15 Years**
- (21) Appl. No.: **29/590,701**
- (22) Filed: **Jan. 12, 2017**
- (51) **LOC (12) Cl.** **23-03**
- (52) **U.S. Cl.**
USPC **D23/332; D7/334**
- (58) **Field of Classification Search**
USPC D23/332, 314, 343, 348, 350, 346, 342, D23/347, 372, 335, 317, 329, 334, 339, D23/338, 340; D7/332-337, 402-405, D7/352, 408, 417, 338, 348, 323, 350.1, D7/350.3, 339
CPC F24C 1/16; F24C 5/00; F24C 3/14; A47J 33/00; A47J 37/0763; A47J 37/07; F24B 1/18; F24B 1/182; F24B 1/1808; F24B 1/181; F24B 1/195; F24B 1/191
See application file for complete search history.

D219,629 S *	12/1970	Koziol	D7/334
D275,439 S *	9/1984	Hutchison	D7/334
D302,641 S *	8/1989	Elmburg	D7/332
7,004,063 B1 *	2/2006	Li	A47J 37/0704 126/25 R
D516,368 S *	3/2006	Zhang	D7/337
D517,365 S *	3/2006	Huang	D7/332
D631,685 S *	2/2011	Tiller	D7/337
D796,250 S *	9/2017	Chung	D7/337
2002/0179081 A1 *	12/2002	Holland	A47J 37/0704 126/25 R
2005/0247299 A1 *	11/2005	Rodriguez	A47J 37/0704 126/50

* cited by examiner

Primary Examiner — T Chase Nelson

Assistant Examiner — Ania Aman

(74) *Attorney, Agent, or Firm* — Loginov & Associates, PLLC; William A. Loginov

(57) **CLAIM**

The ornamental design for a housing for a fire pit, substantially as shown and described.

DESCRIPTION

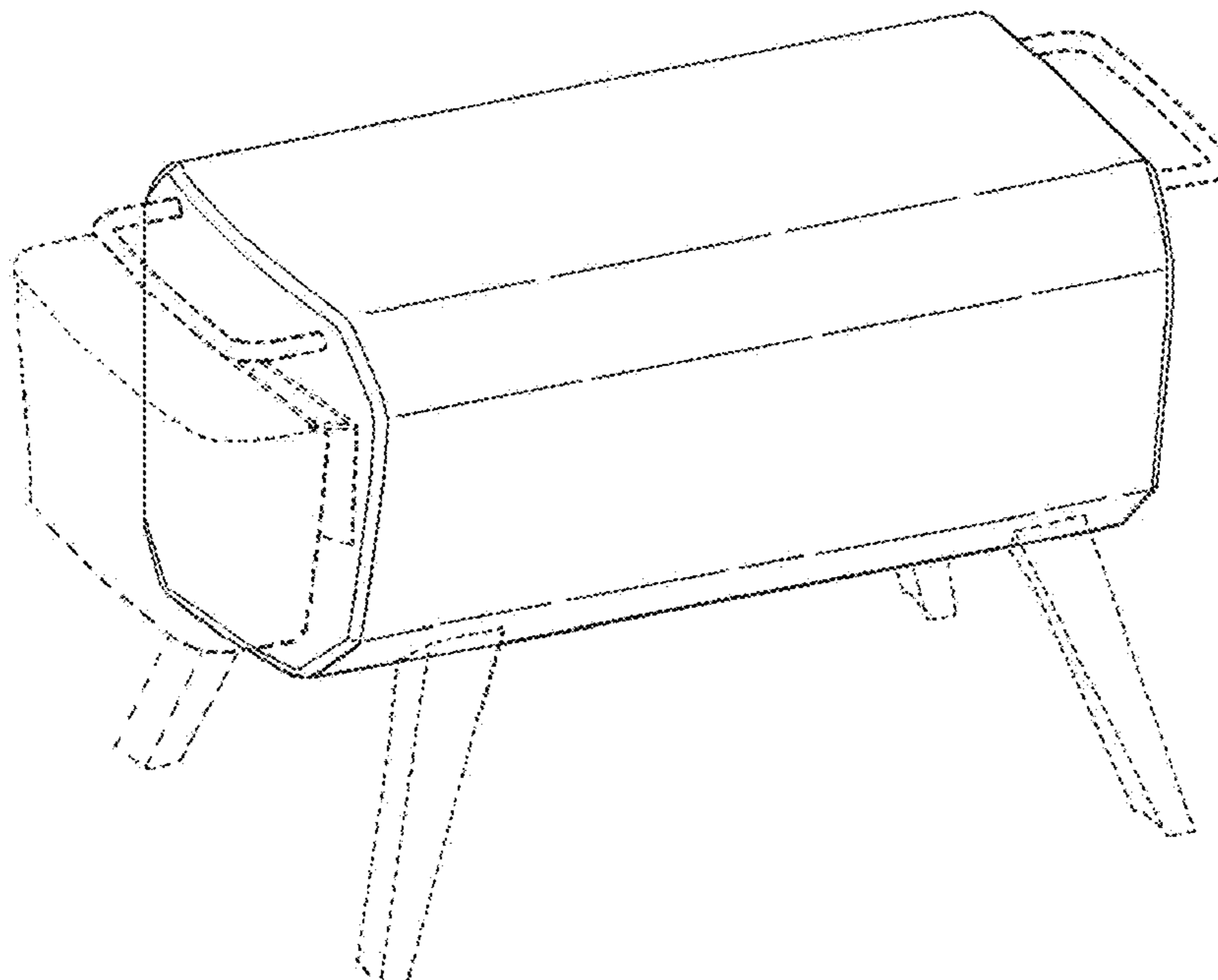
FIG. 1 is a perspective view of a housing for a fire pit showing our new design;
 FIG. 2 is a front view of the housing for a fire pit;
 FIG. 3 is a rear view of the housing for a fire pit;
 FIG. 4 is a right side view of the housing for a fire pit;
 FIG. 5 is a left side view of the housing for a fire pit;
 FIG. 6 is a top view of the housing for a fire pit; and,
 FIG. 7 is a bottom view of the housing for a fire pit.
 The broken line elements in all views are for illustrative and environmental purposes only and form no part of the claimed design.

1 Claim, 3 Drawing Sheets

(56) **References Cited**

U.S. PATENT DOCUMENTS

D188,155 S *	6/1960	Hoebel	D7/337
D206,738 S *	1/1967	Wilkinson	D7/334



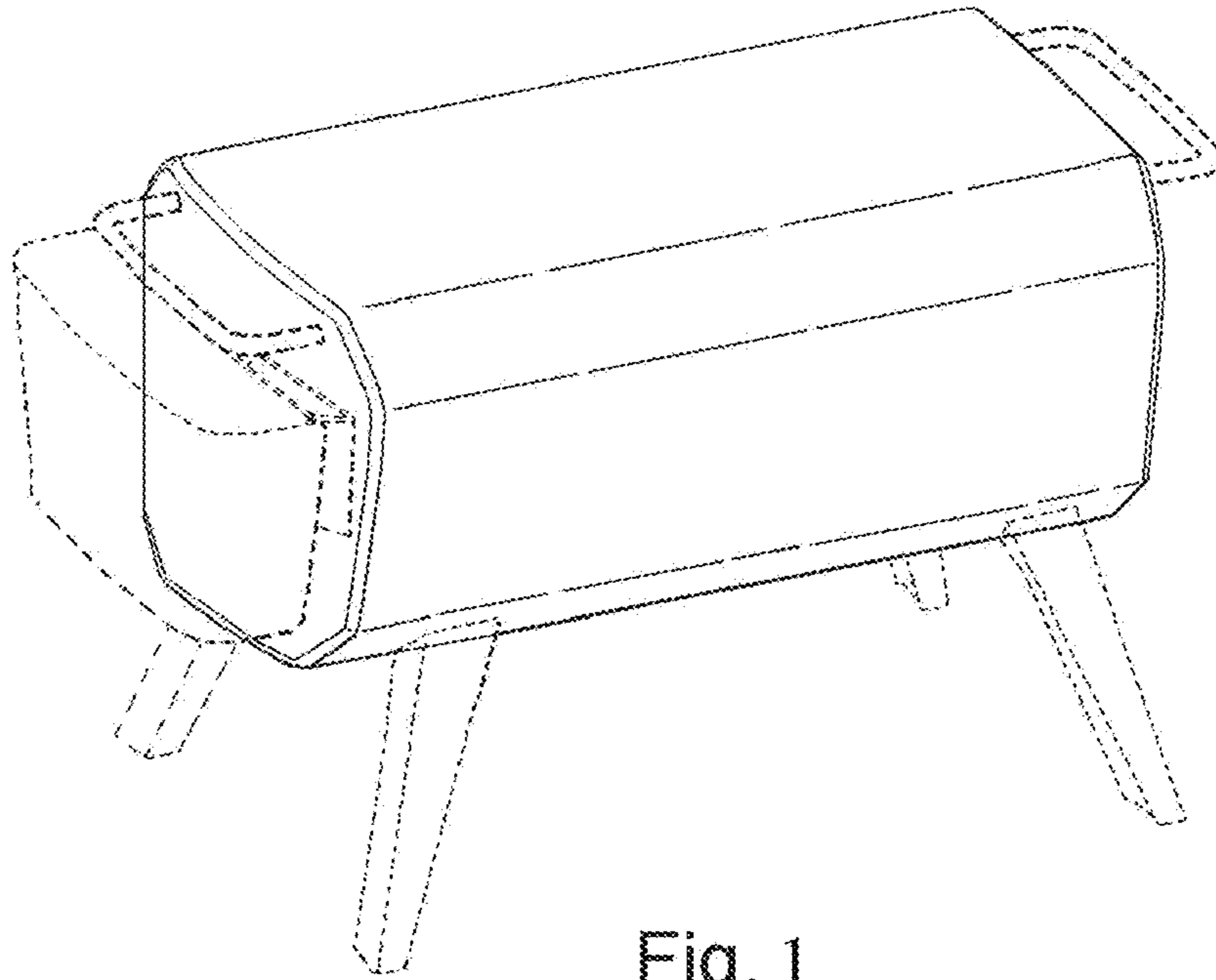


Fig. 1

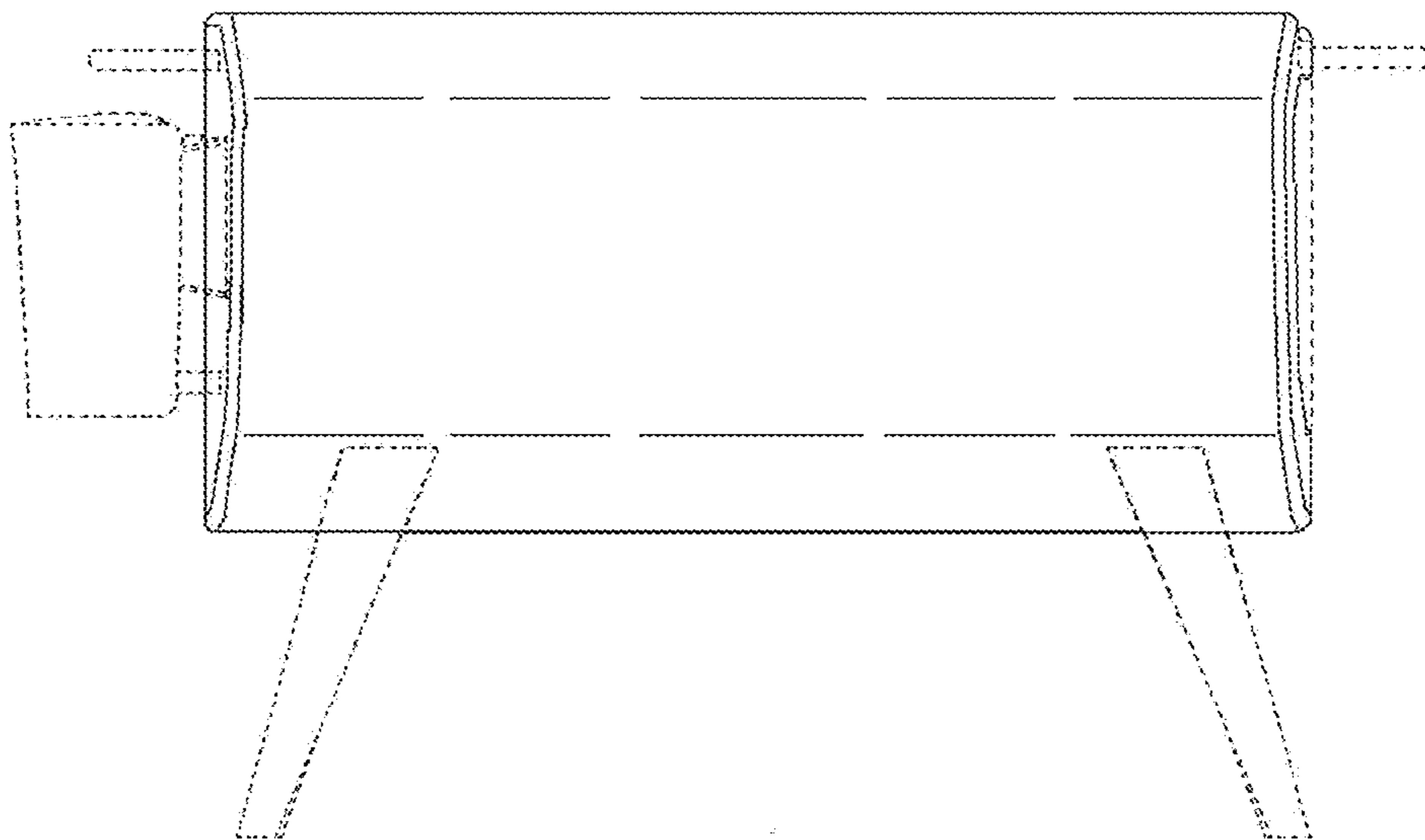


Fig. 2

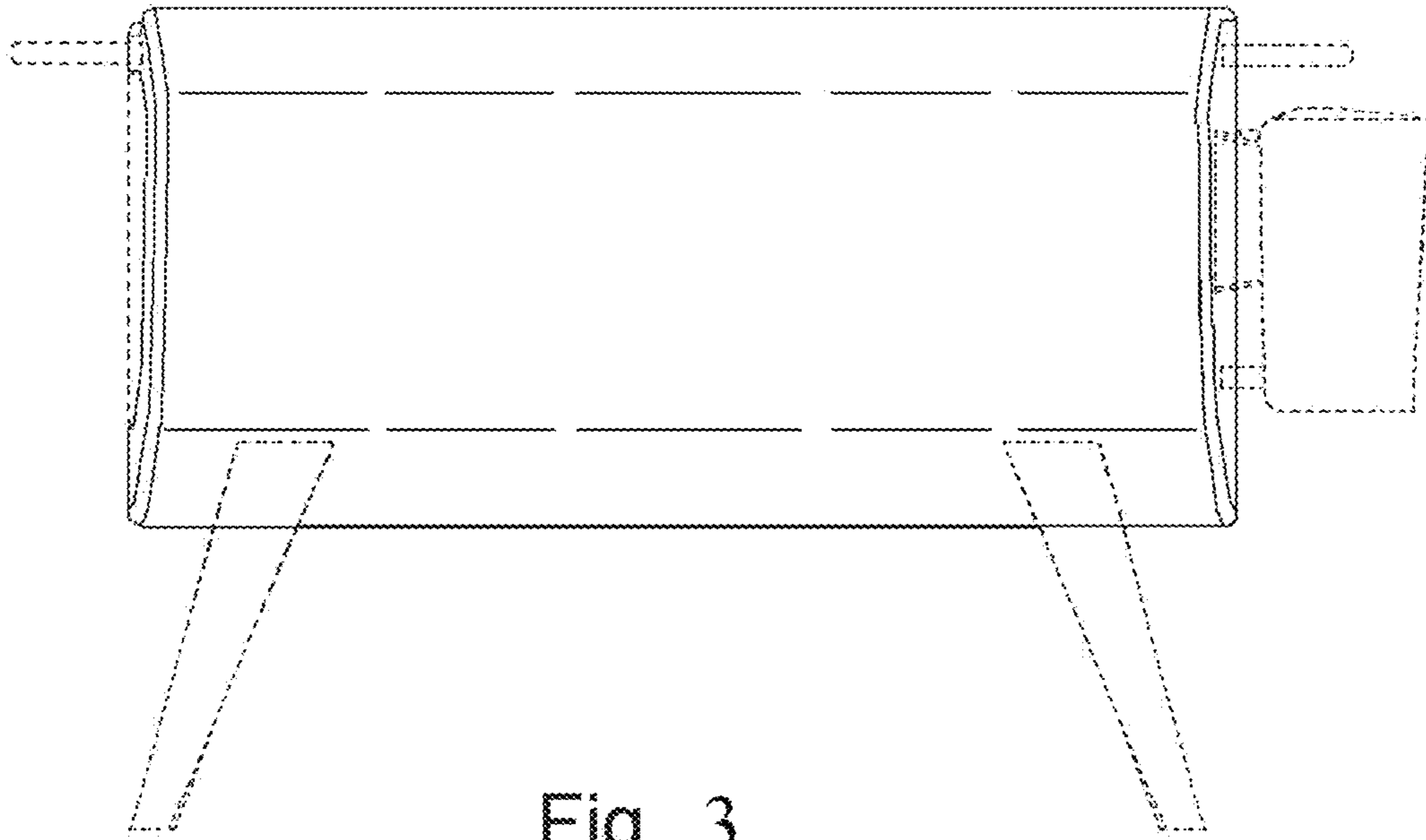


Fig. 3

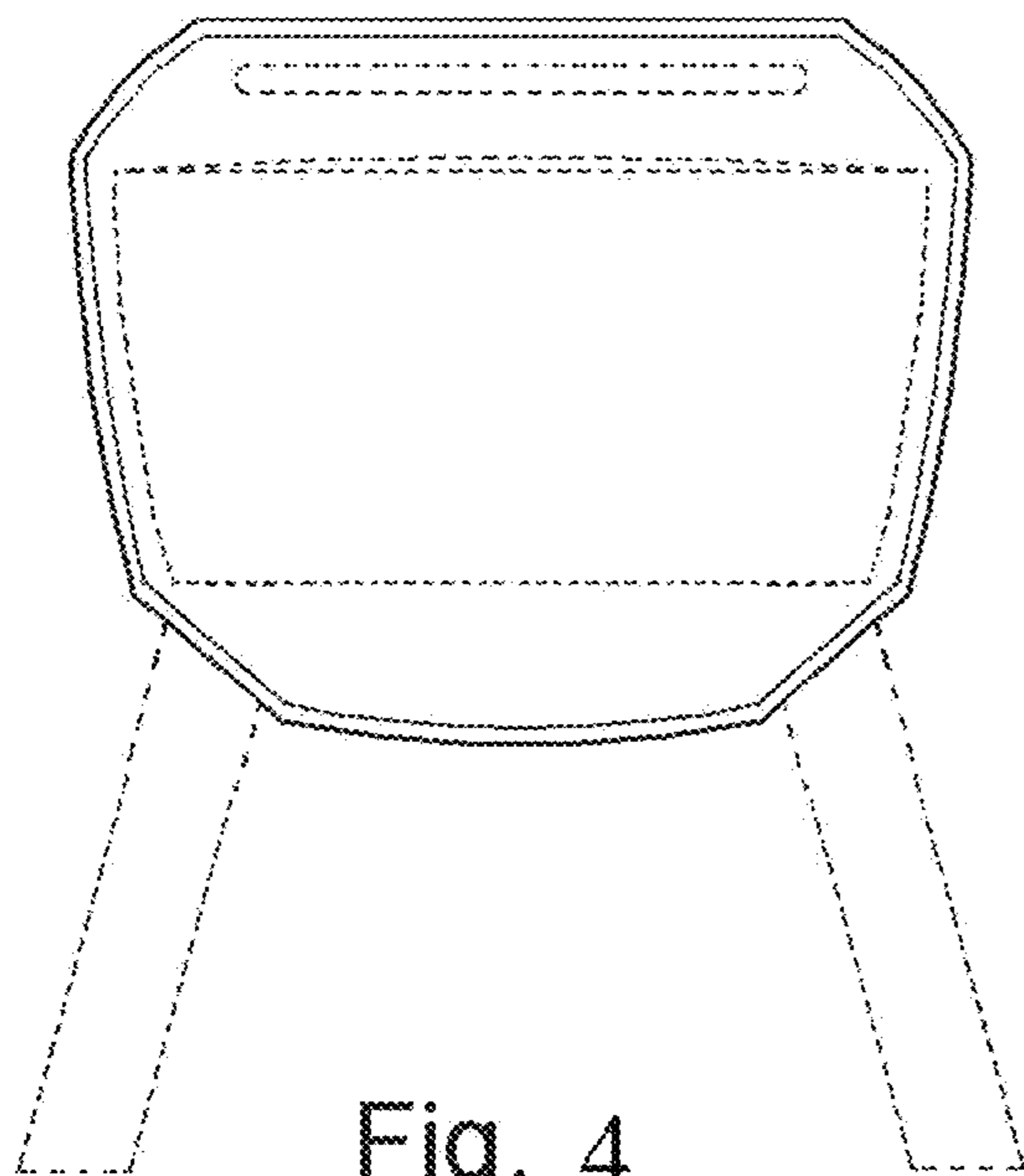


Fig. 4

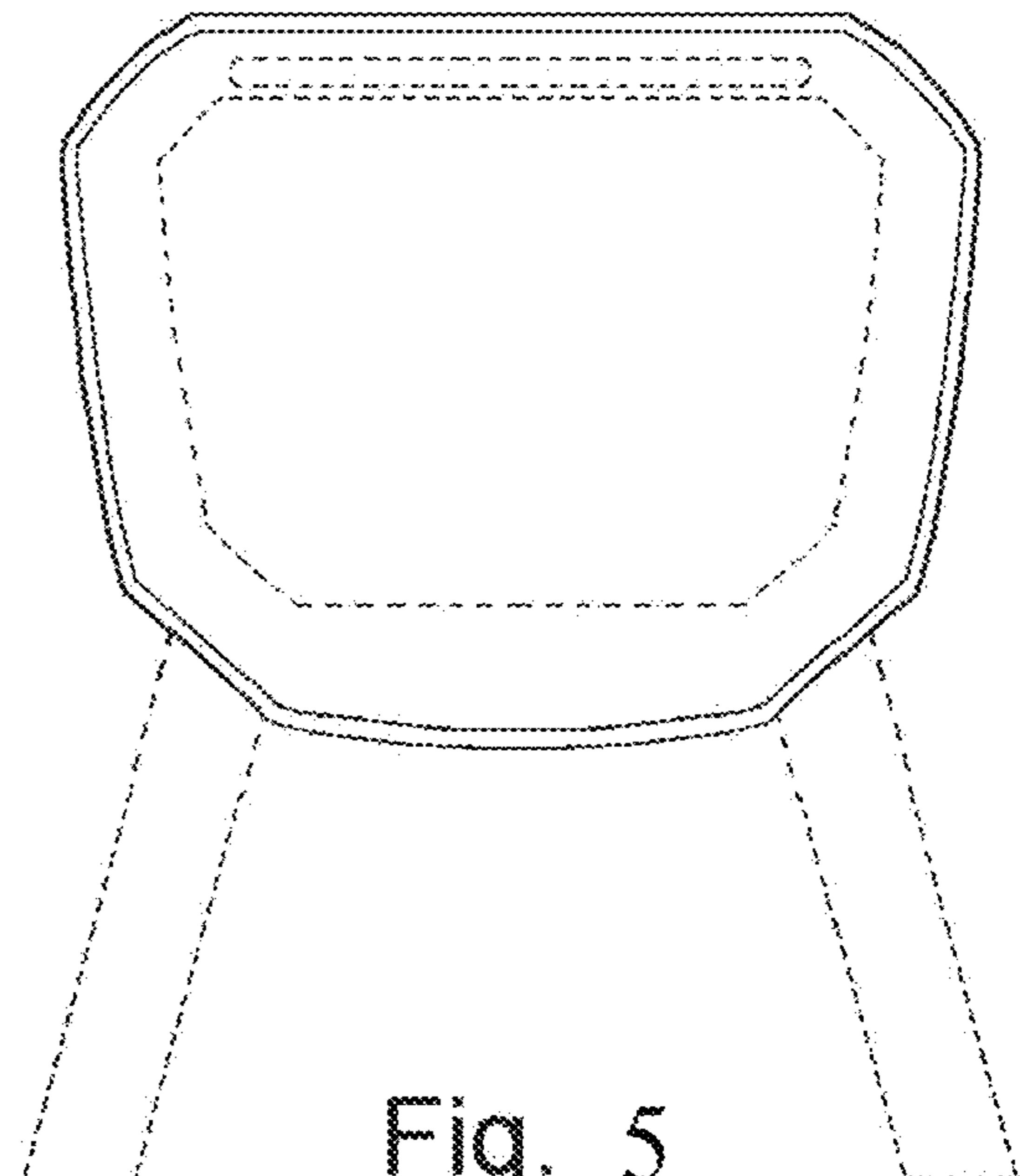


Fig. 5

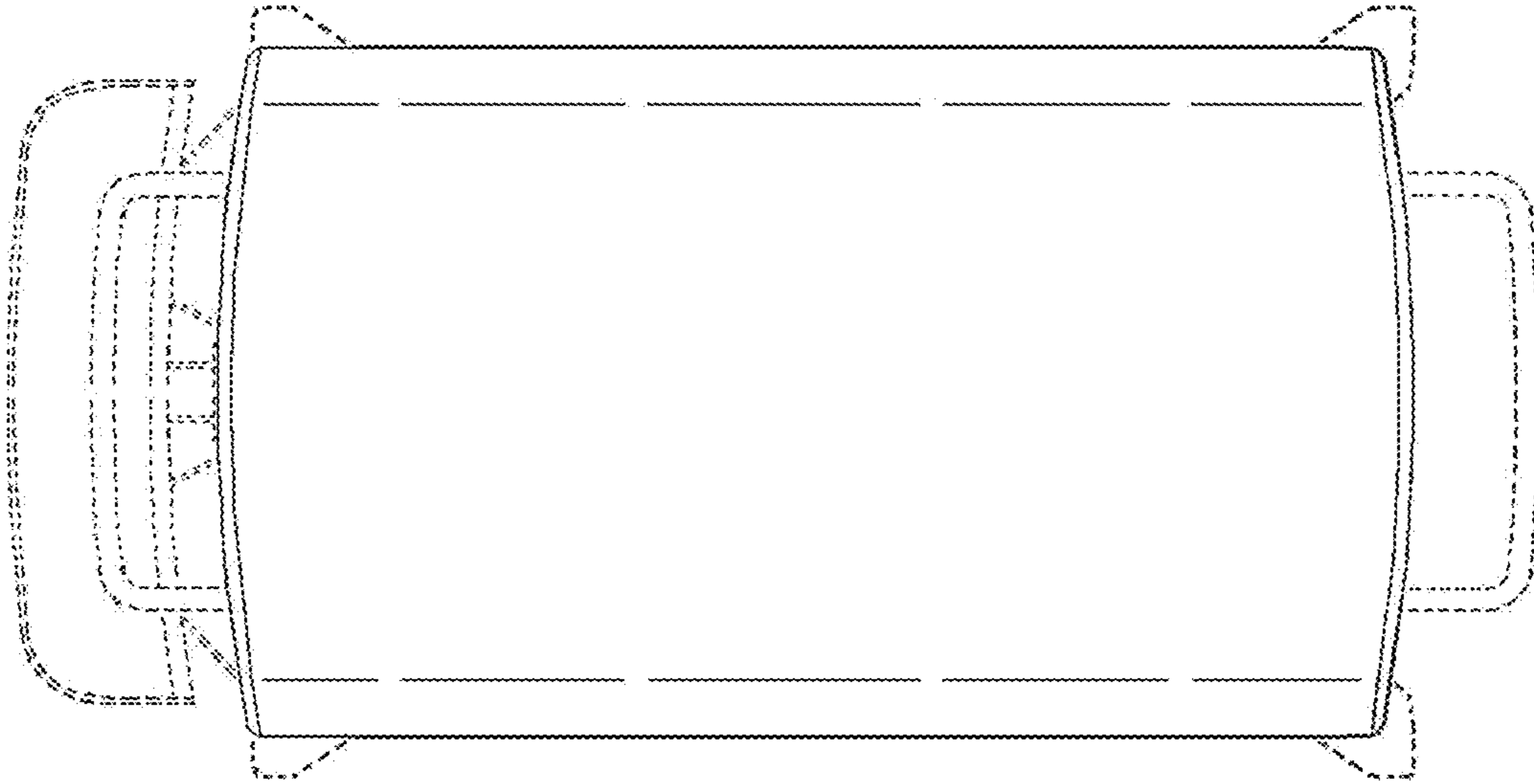


Fig. 6

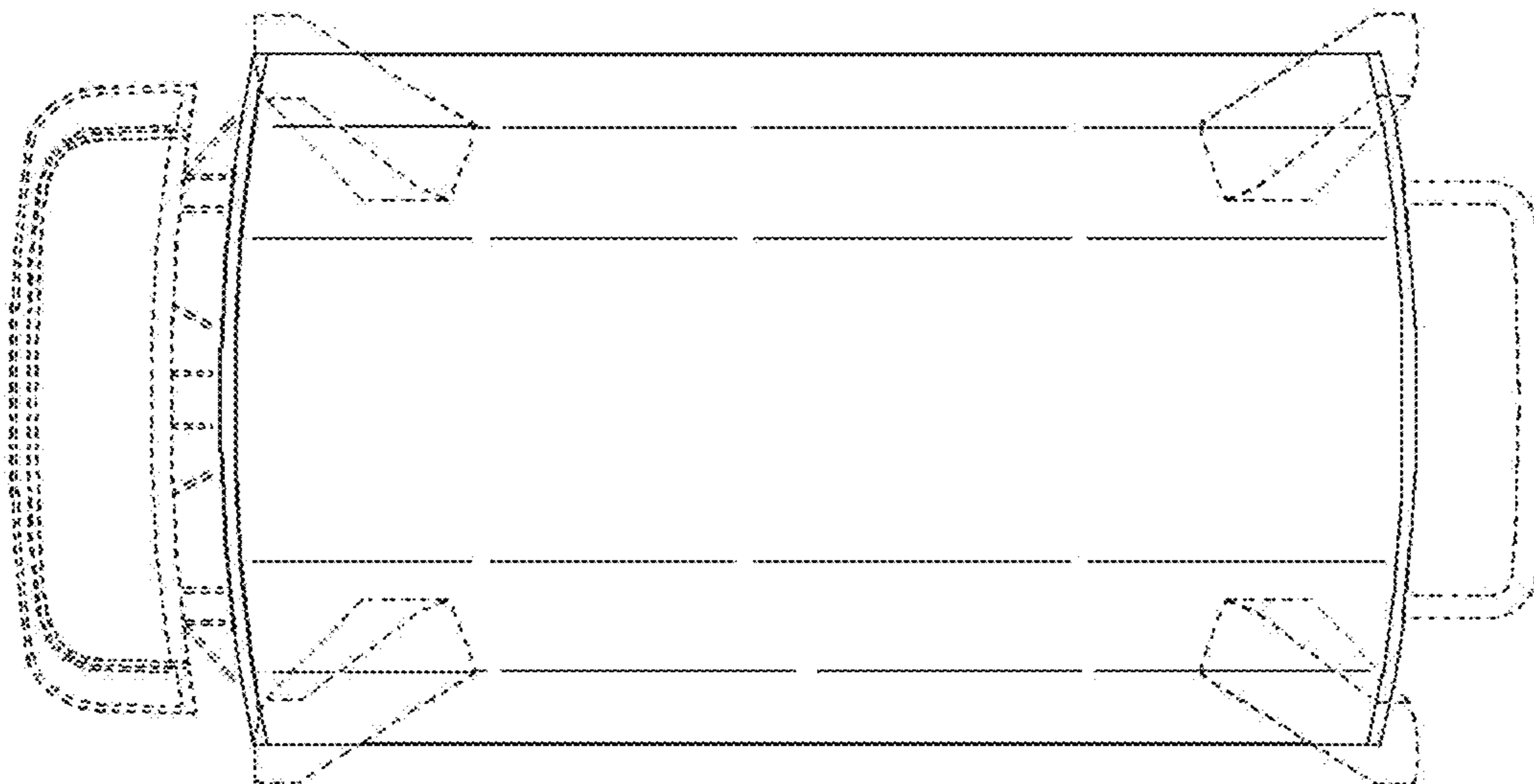


Fig. 7