



US00D873982S

(12) **United States Design Patent**  
**Gupta**

(10) **Patent No.:** **US D873,982 S**

(45) **Date of Patent:** **\*\* Jan. 28, 2020**

(54) **BIDET APPARATUS WITH A STRAIGHT ARM ATTACHMENT AND CONTROL PANEL**

(71) Applicant: **Anjum Gupta**, San Diego, CA (US)

(72) Inventor: **Anjum Gupta**, San Diego, CA (US)

(\*\*) Term: **15 Years**

(21) Appl. No.: **29/707,819**

(22) Filed: **Oct. 1, 2019**

**Related U.S. Application Data**

(62) Division of application No. 29/667,555, filed on Oct. 23, 2018.

(51) **LOC (12) Cl.** ..... **23-02**

(52) **U.S. Cl.**  
USPC ..... **D23/309**

(58) **Field of Classification Search**  
USPC ..... D23/303, 309–312, 295–296, 299  
(Continued)

(56) **References Cited**

**U.S. PATENT DOCUMENTS**

D377,680 S \* 1/1997 Kimber ..... D23/303  
5,647,069 A \* 7/1997 Han ..... E03D 9/08  
4/420.2

(Continued)

*Primary Examiner* — Robert A Delehanty

(57) **CLAIM**

The ornamental design for a bidet apparatus with a straight arm attachment and control panel, as shown herein.

**DESCRIPTION**

FIG. 1 is a top perspective view of a bidet apparatus with a straight arm attachment and control panel with a single knob and lever;

FIG. 2 is a bottom perspective view of a bidet apparatus with a straight arm attachment and control panel with a single knob and lever;

FIG. 3 is a front perspective view of a bidet apparatus with a straight arm attachment and control panel with a single knob and lever;

FIG. 4 is a rear perspective view of a bidet apparatus with a straight arm attachment and control panel with a single knob and lever;

FIG. 5 is a left side perspective view of a bidet apparatus with a straight arm attachment and control panel with a single knob and lever;

FIG. 6 is a right side perspective view of a bidet apparatus with a straight arm attachment and control panel with a single knob and lever;

FIG. 7 is a top front perspective view of a bidet apparatus with a straight arm attachment and control panel with a single knob and lever;

FIG. 8 is a top rear perspective view of a bidet apparatus with a straight arm attachment and control panel with a single knob and lever;

FIG. 9 is a top left side perspective view of a bidet apparatus with a straight arm attachment and control panel with a single knob and lever;

FIG. 10 is a top right side perspective view of a bidet apparatus with a straight arm attachment and control panel with a single knob and lever;

FIG. 11 is a bottom front perspective view of a bidet apparatus with a straight arm attachment and control panel with a single knob and lever;

FIG. 12 is a bottom rear perspective view of a bidet apparatus with a straight arm attachment and control panel with a single knob and lever;

FIG. 13 is a bottom left side perspective view of a bidet apparatus with a straight arm attachment and control panel with a single knob and lever;

FIG. 14 is a bottom right side perspective view of a bidet apparatus with a straight arm attachment and control panel with a single knob and lever;

FIG. 15 is a top perspective view of a bidet apparatus with a straight arm attachment and control panel with a double knob and lever;

(Continued)

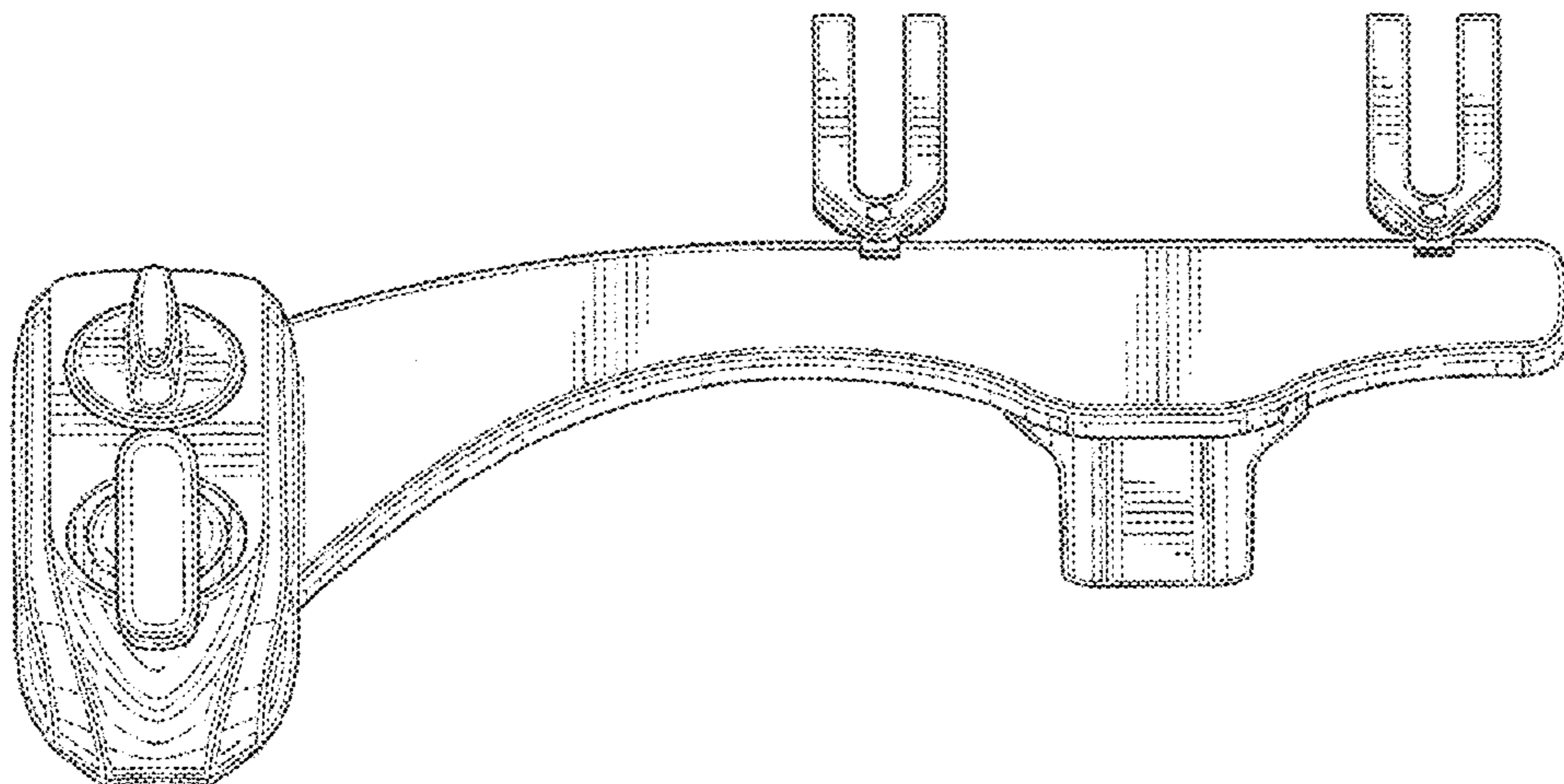


FIG. 16 is a bottom perspective view of a bidet apparatus with a straight arm attachment and control panel with a double knob and lever;  
 FIG. 17 is a front perspective view of a bidet apparatus with a straight arm attachment and control panel with a double knob and lever;  
 FIG. 18 is a rear perspective view of a bidet apparatus with a straight arm attachment and control panel with a double knob and lever;  
 FIG. 19 is a left side perspective view of a bidet apparatus with a straight arm attachment and control panel with a double knob and lever;  
 FIG. 20 is a right side perspective of a bidet apparatus with a straight arm attachment and control panel with a double knob and lever;  
 FIG. 21 is a top front perspective view of a bidet apparatus with a straight arm attachment and control panel with a double knob and lever;  
 FIG. 22 is a top rear perspective view of a bidet apparatus with a straight arm attachment and control panel with a double knob and lever;  
 FIG. 23 is a top left side perspective view of a bidet apparatus with a straight arm attachment and control panel with a double knob and lever;  
 FIG. 24 is a top right side perspective view of a bidet apparatus with a straight arm attachment and control panel with a double knob and lever;  
 FIG. 25 is a bottom front perspective view of a bidet apparatus with a straight arm attachment and control panel with a double knob and lever;  
 FIG. 26 is a bottom rear perspective view of a bidet apparatus with a straight arm attachment and control panel with a double knob and lever;

FIG. 27 is a bottom left side perspective view of a bidet apparatus with a straight arm attachment and control panel with a double knob and lever; and,  
 FIG. 28 is a bottom right side perspective view of a bidet apparatus with a straight arm attachment and control panel with a double knob and lever.  
 As shown in these figures, any broken lines are for environmental purposes only and form no part of the claimed design. The design shown is not to be limited to any particular size and may be scaled larger or smaller.

**1 Claim, 24 Drawing Sheets**

(58) **Field of Classification Search**

CPC ..... A47K 13/00; A47K 13/05  
 See application file for complete search history.

(56) **References Cited**

U.S. PATENT DOCUMENTS

5,647,070	A *	7/1997	Yu	.....	E03D 9/08
					4/420.4
8,261,377	B2 *	9/2012	Oh	.....	E03D 9/08
					4/420.5
8,296,872	B2 *	10/2012	Yao	.....	E03D 9/08
					4/420.2
D714,428	S *	9/2014	Gupta	.....	D23/309
9,637,903	B2 *	5/2017	Gupta	.....	A47K 13/26
9,745,732	B2 *	8/2017	Suggs	.....	E03D 9/052

\* cited by examiner

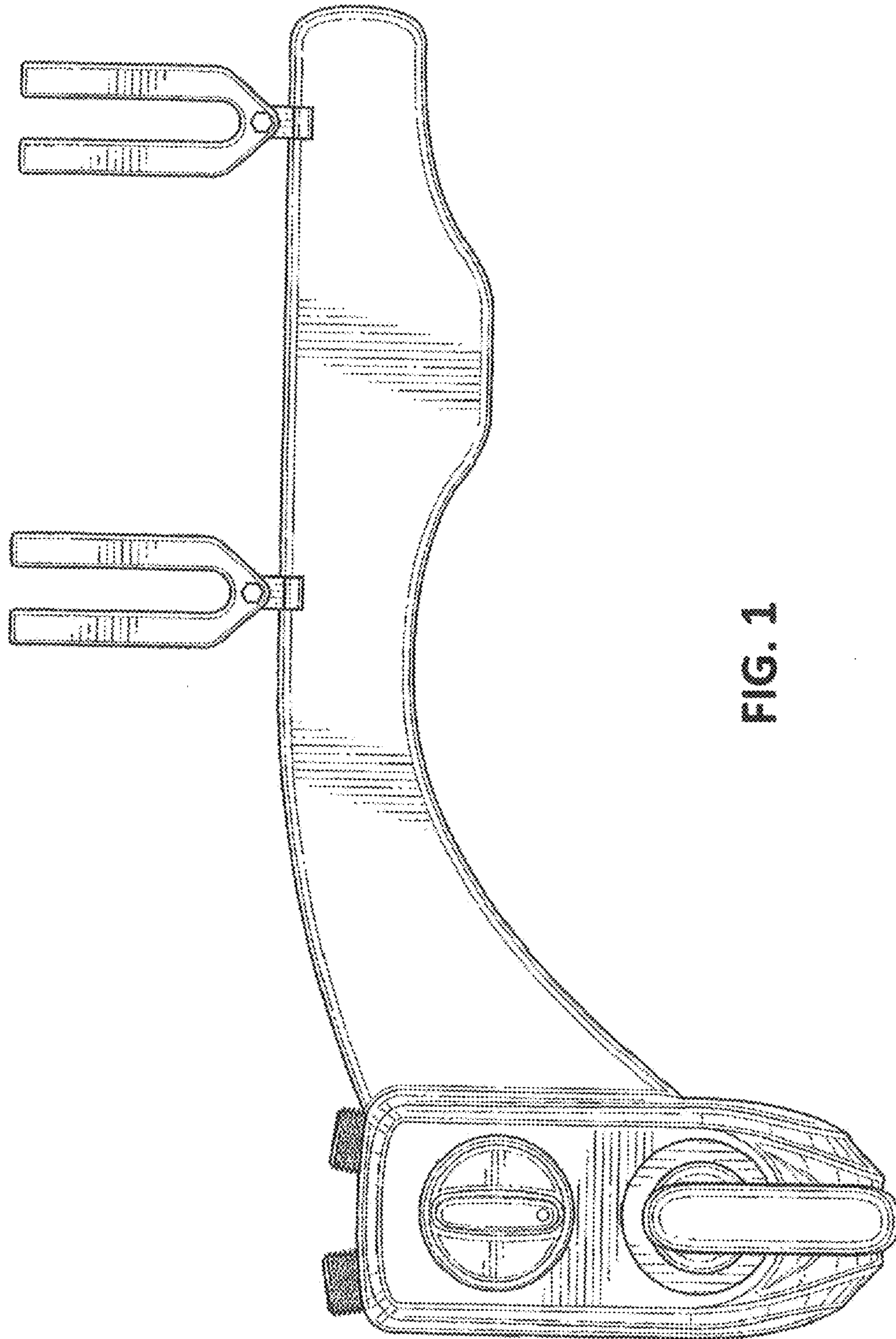


FIG. 1

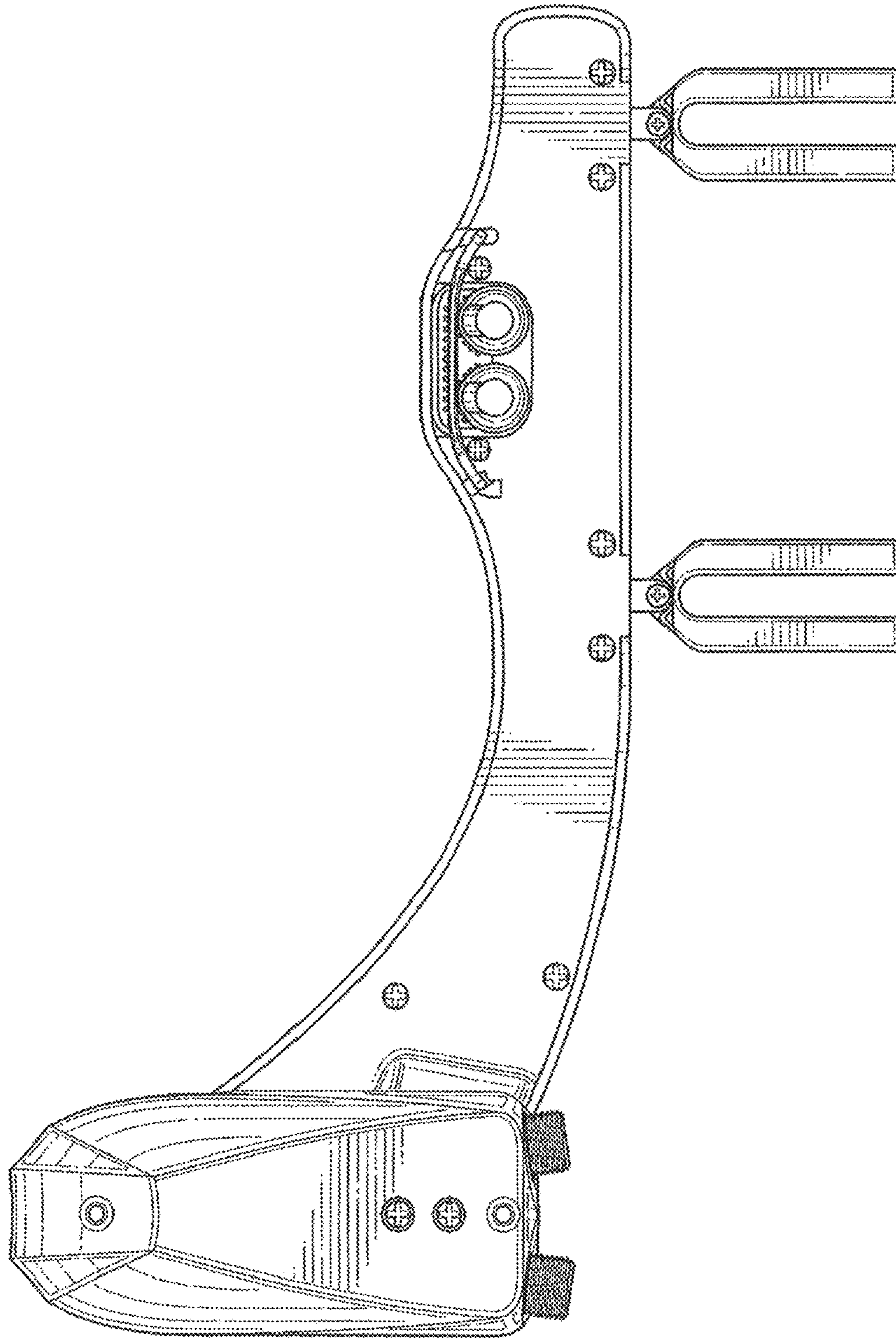


FIG. 2

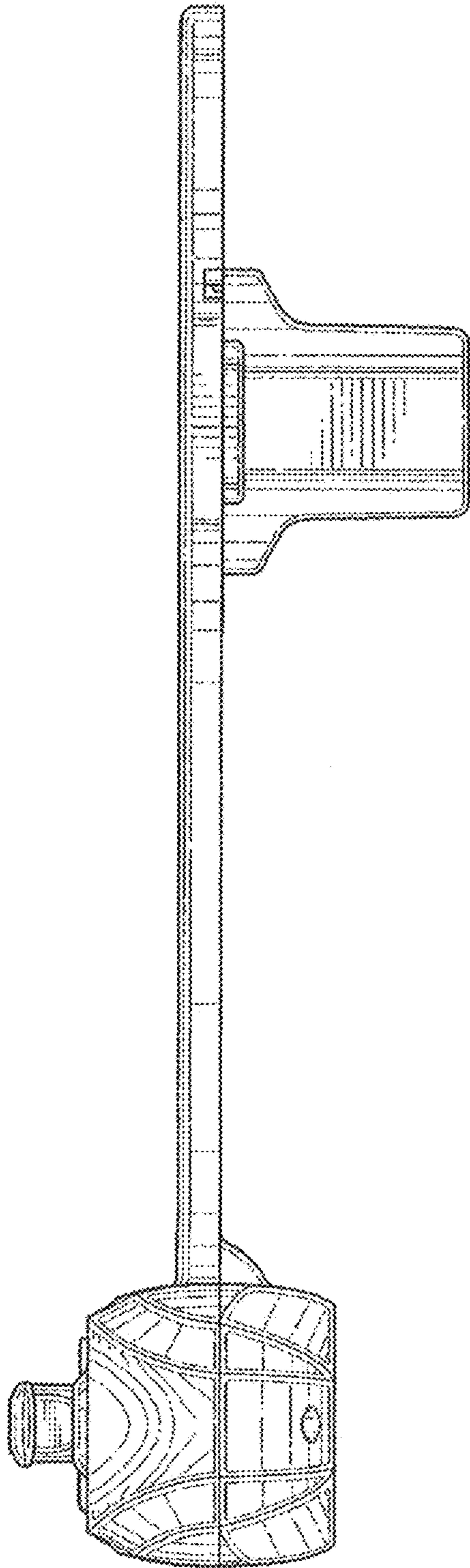


FIG. 3

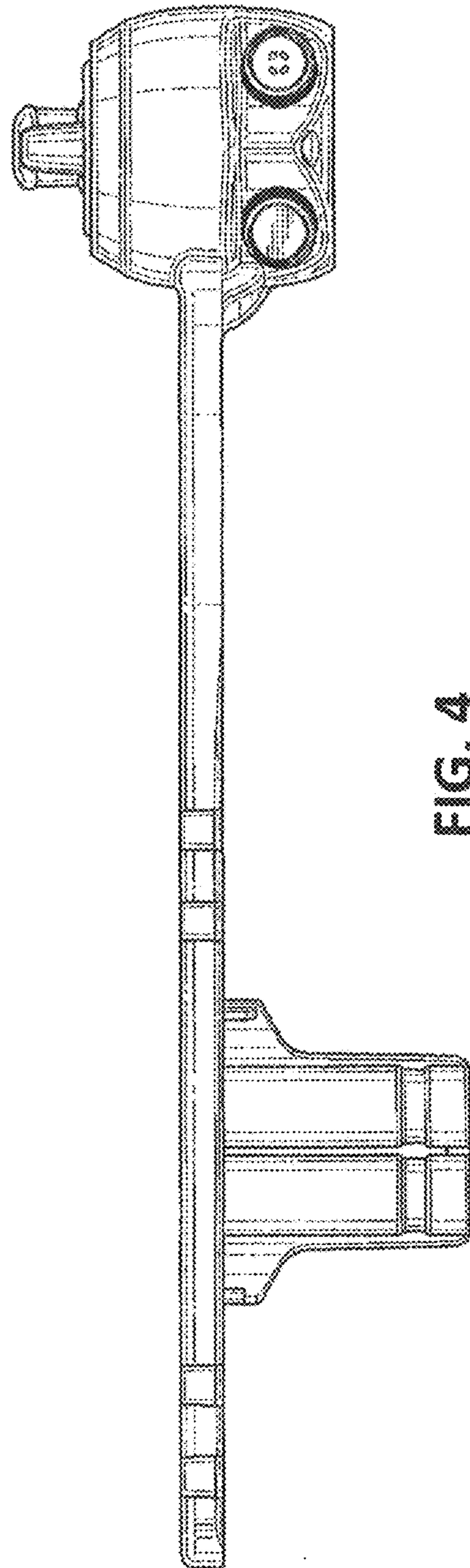


FIG. 4

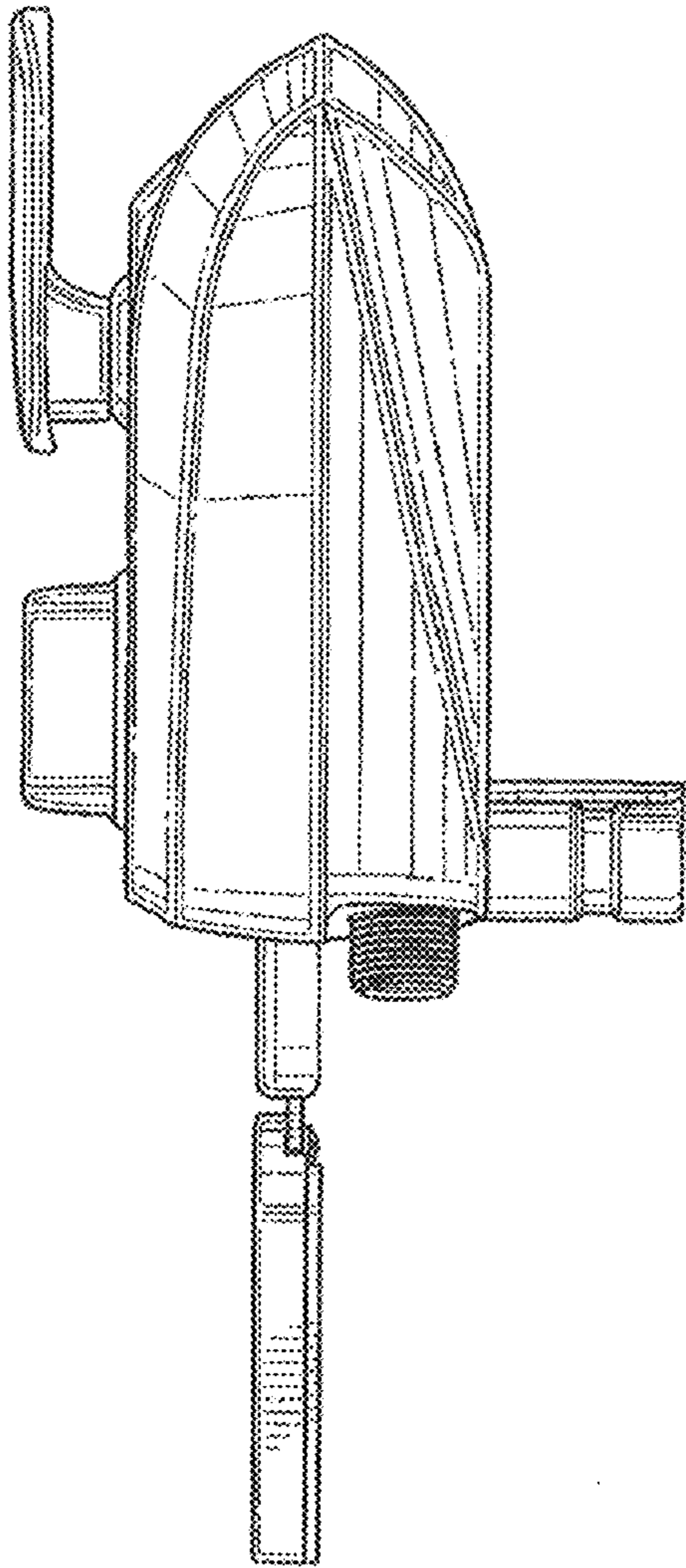


FIG. 5

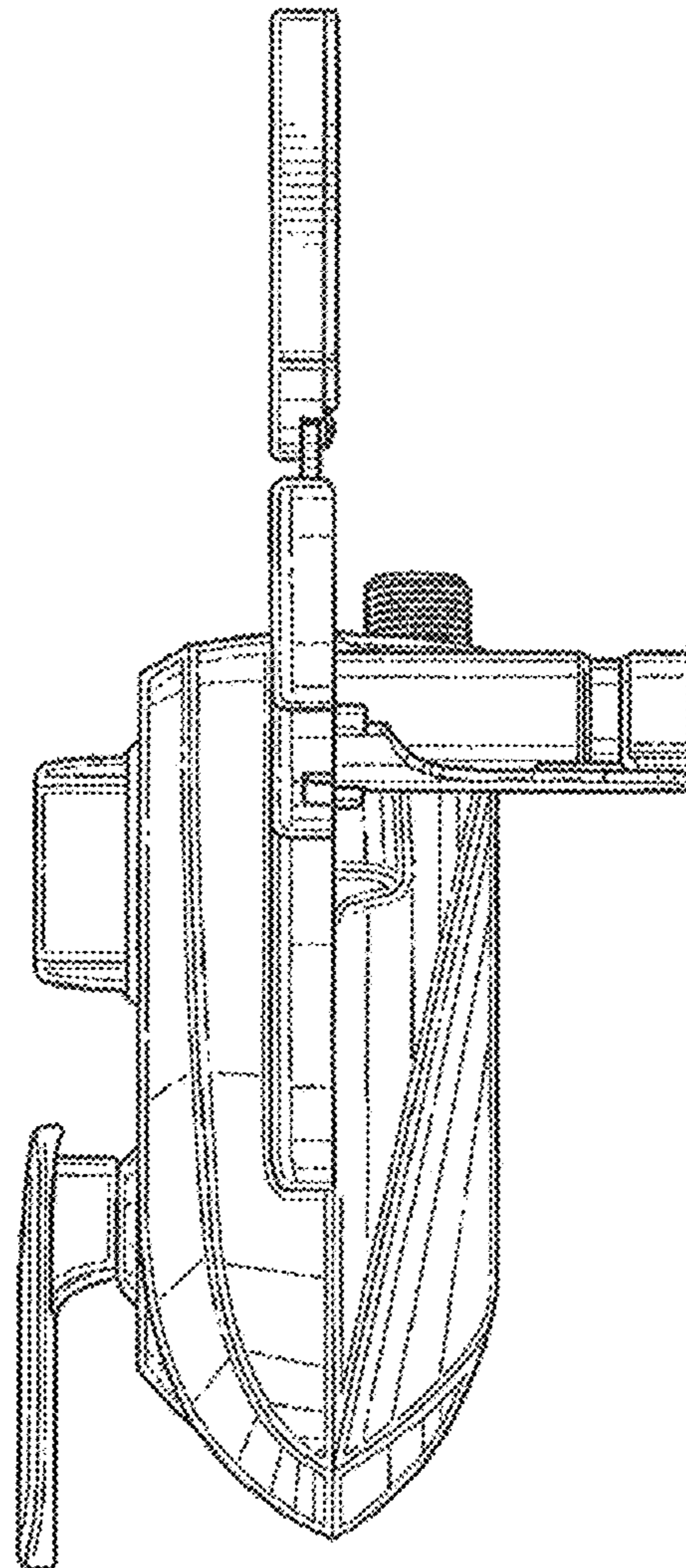


FIG. 6

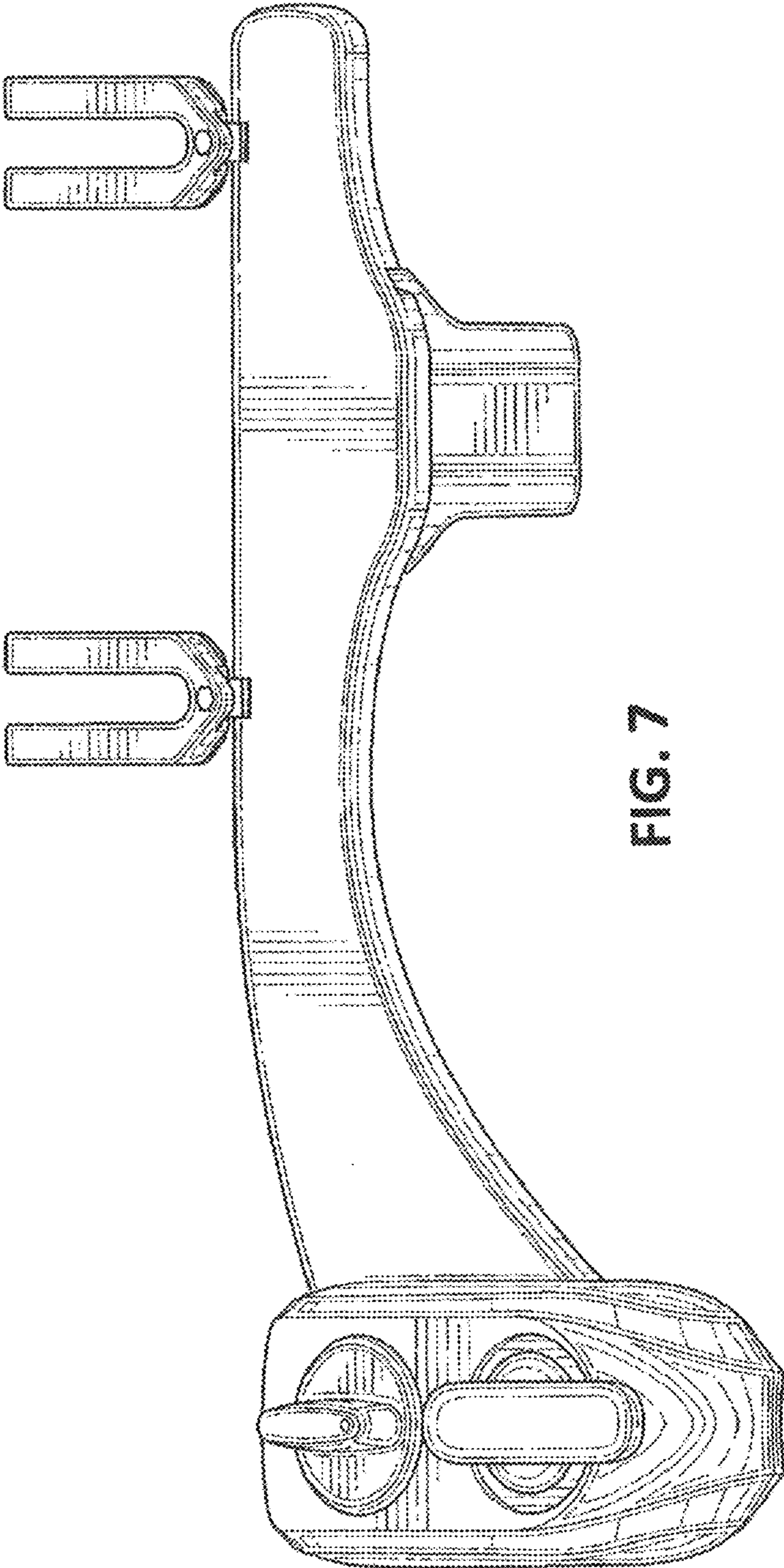


FIG. 7

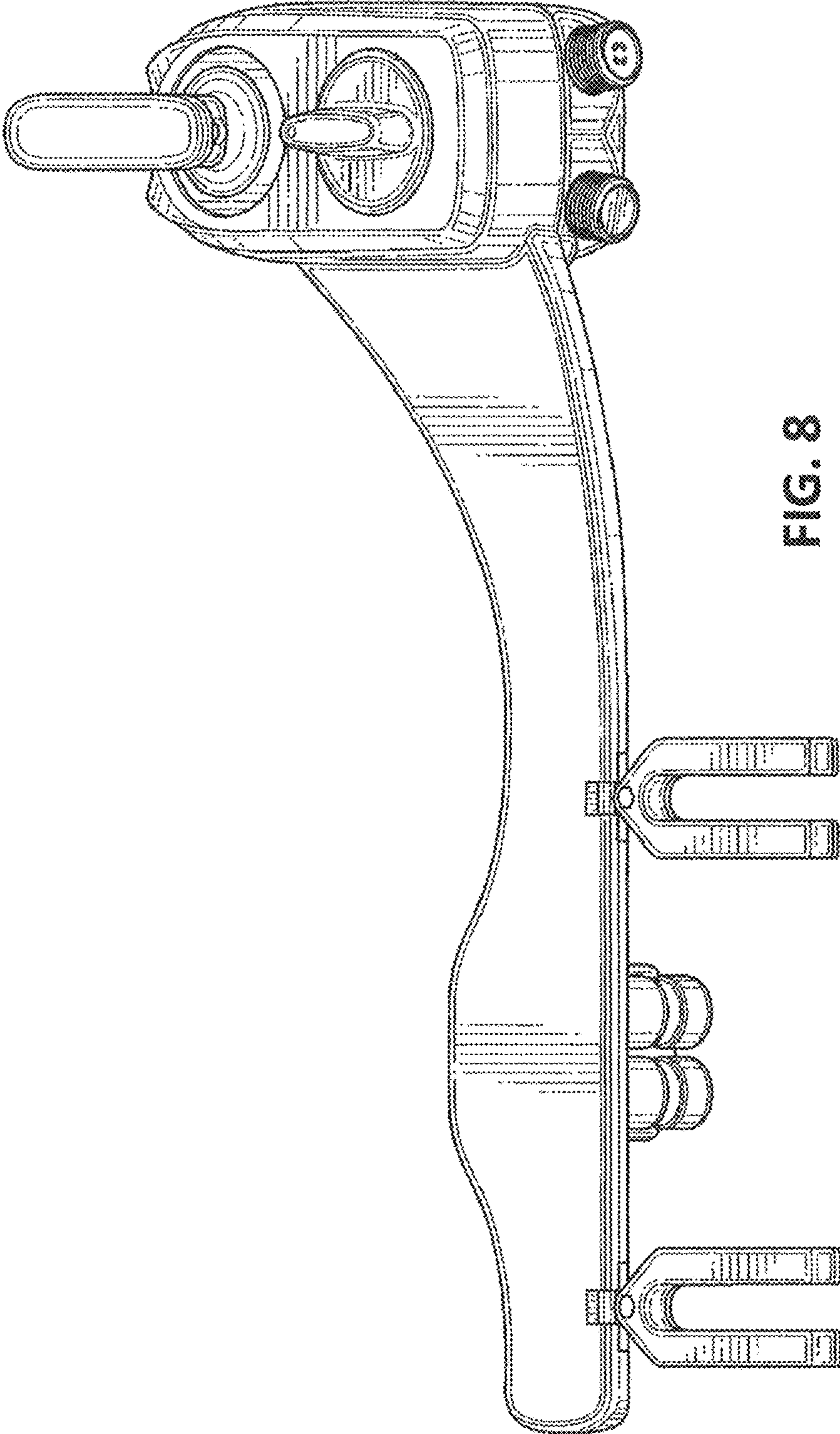


FIG. 8



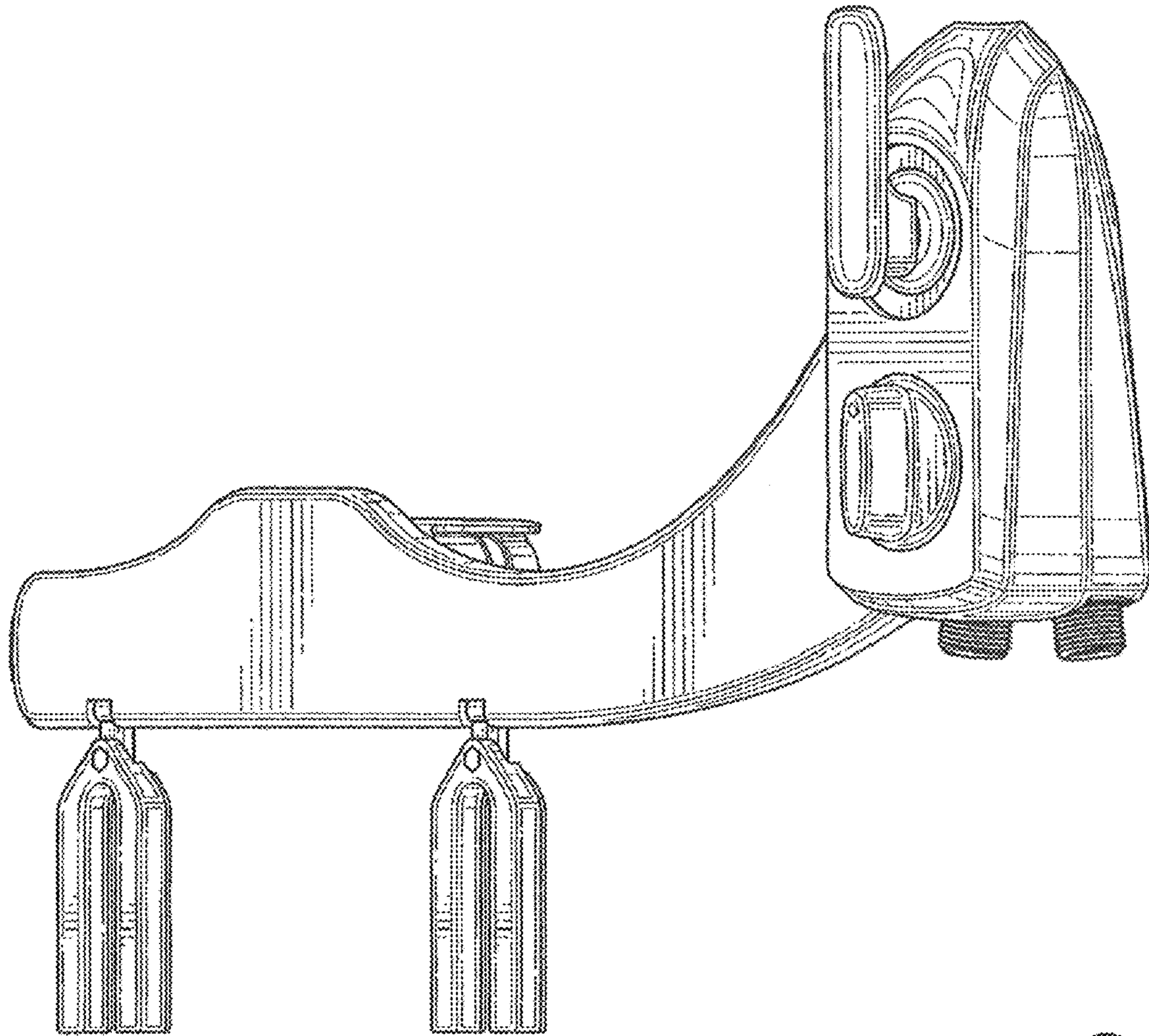


FIG. 9

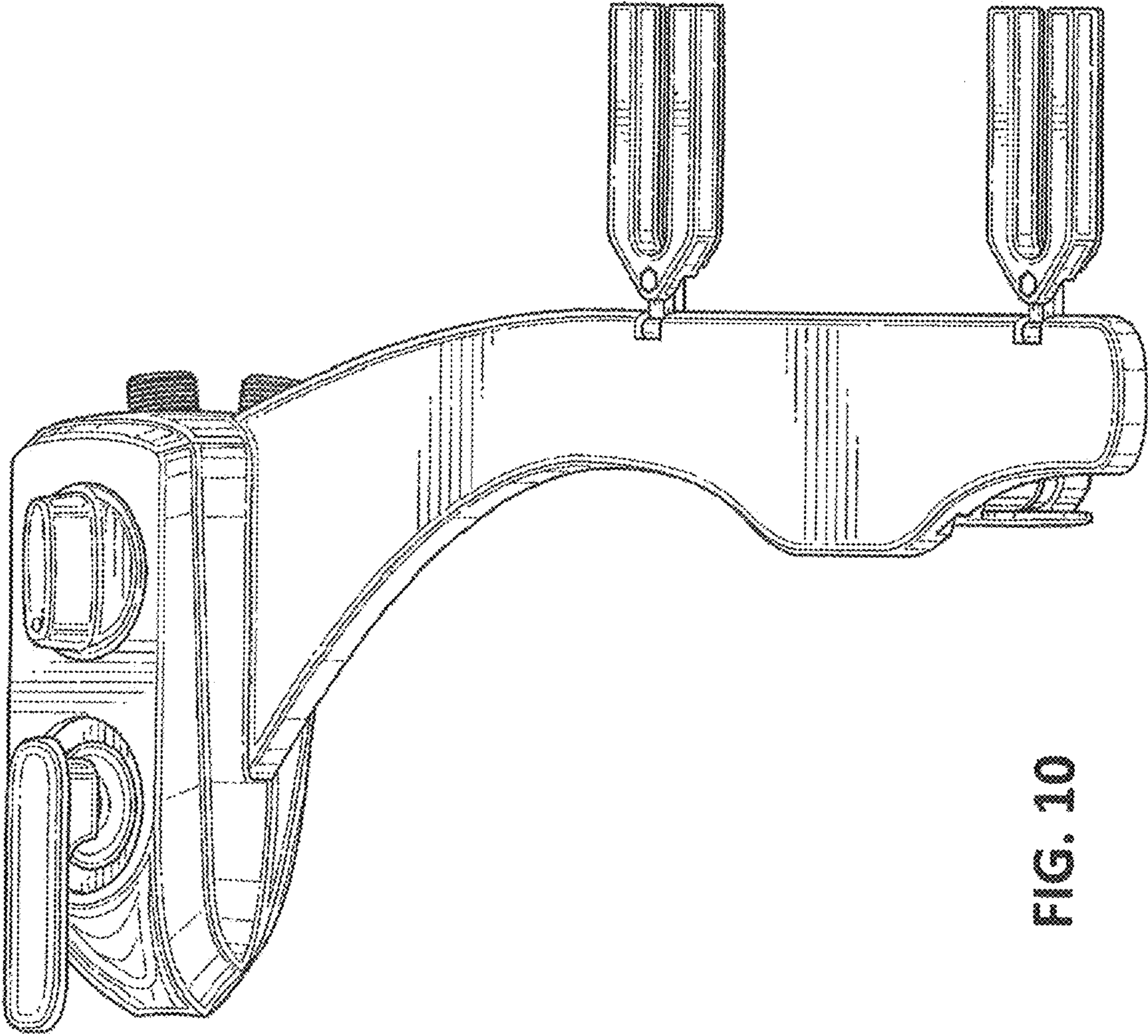


FIG. 10

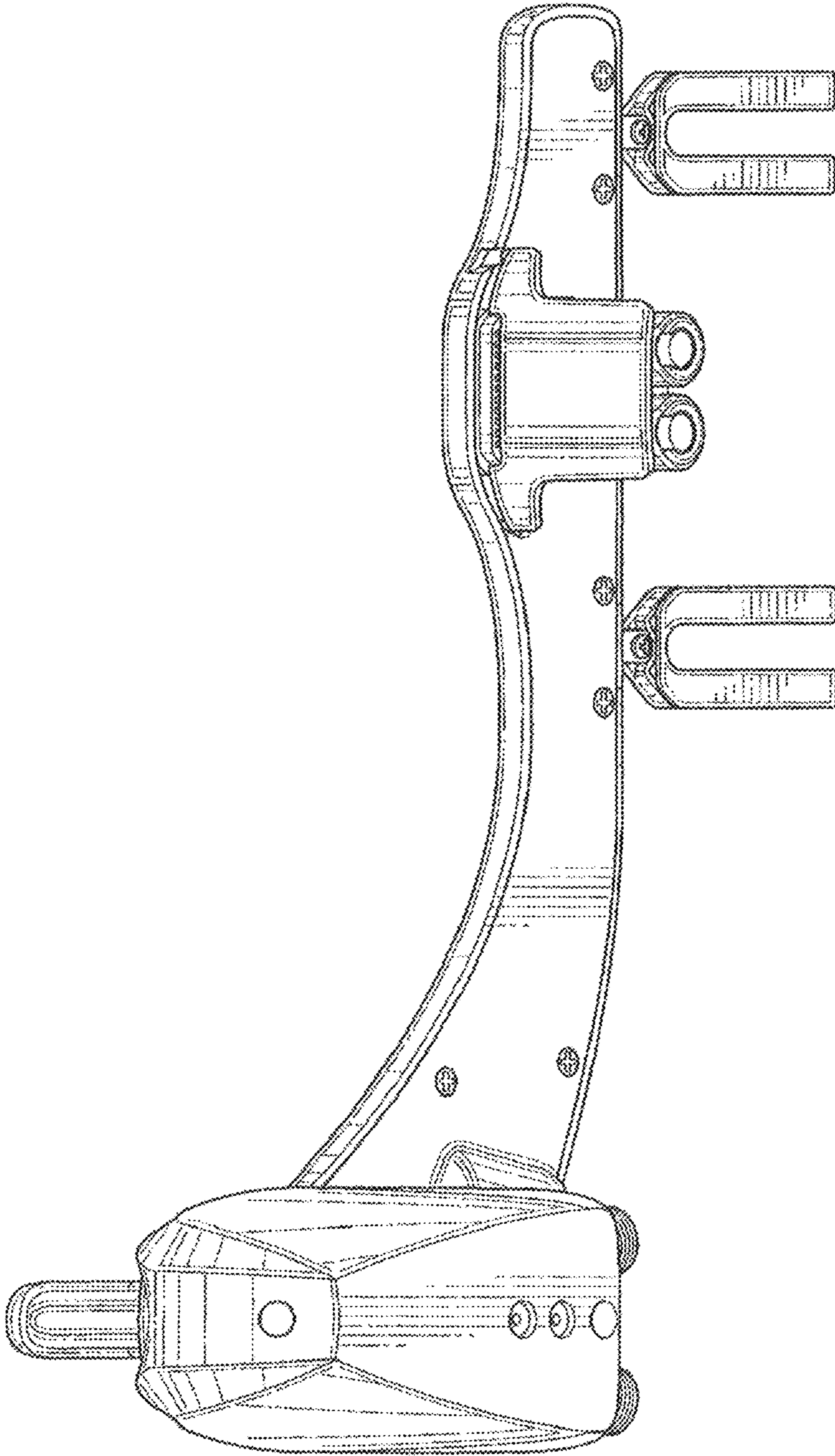


FIG. 11

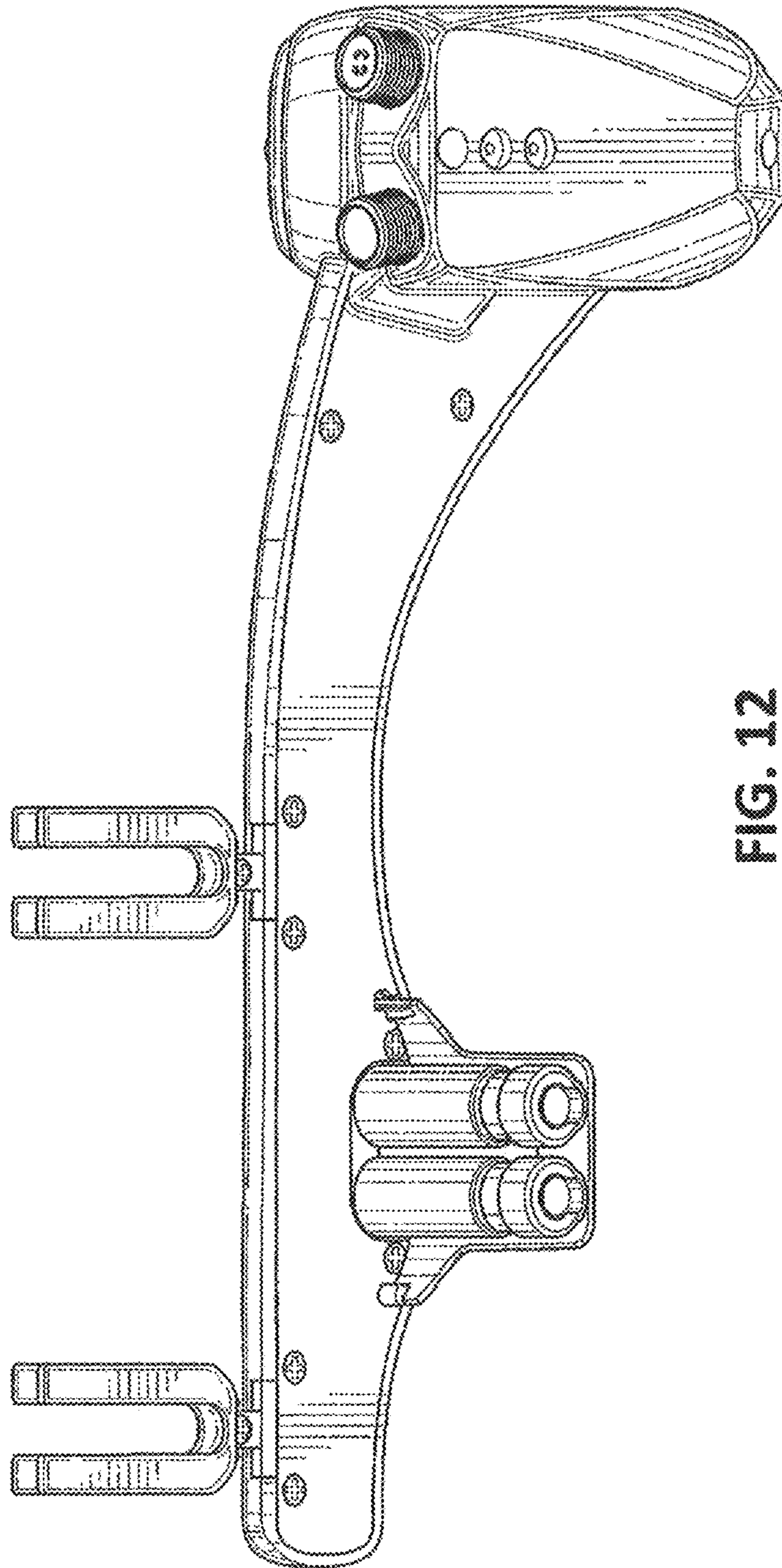


FIG. 12

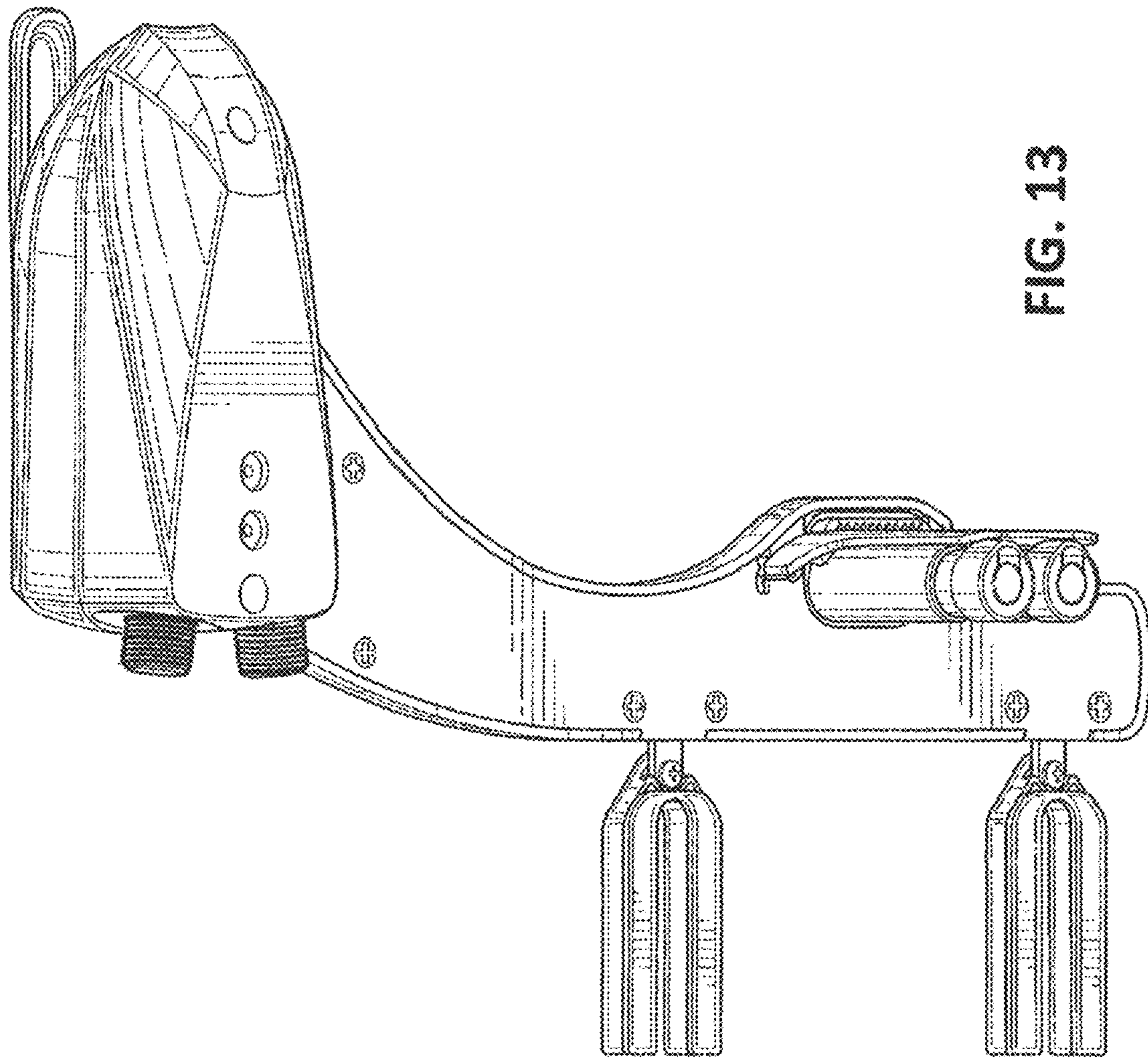


FIG. 13

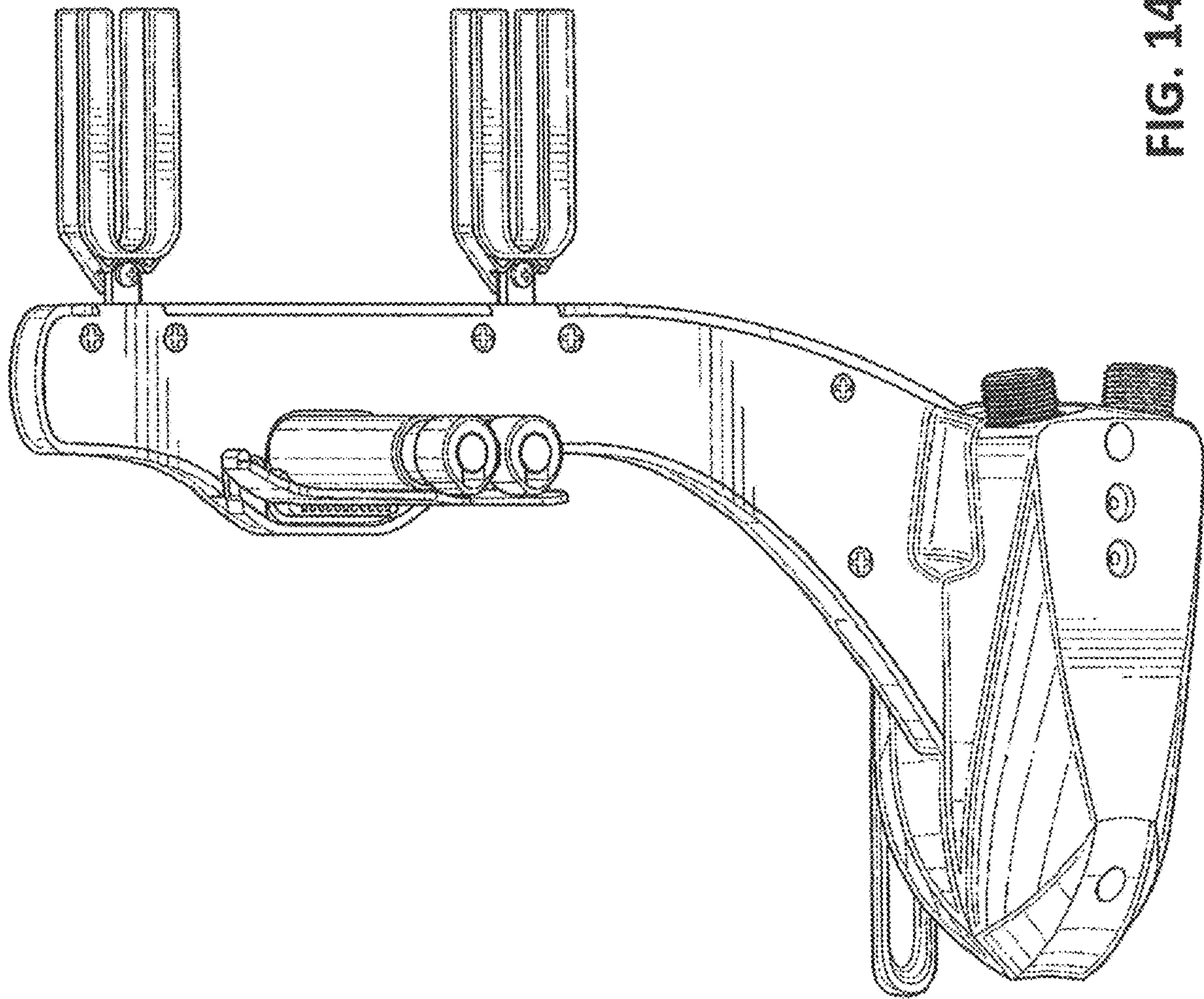


FIG. 14

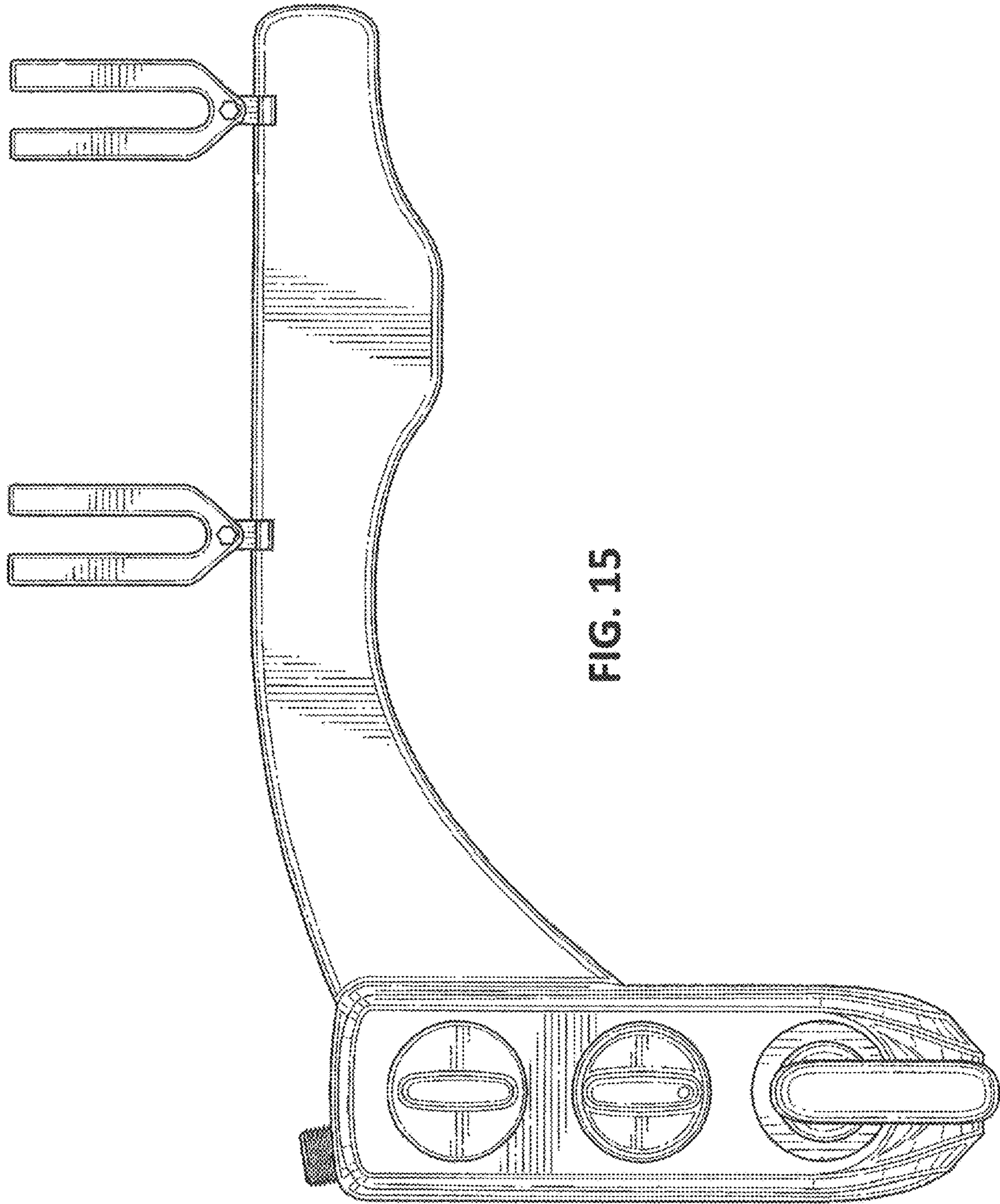


FIG. 15

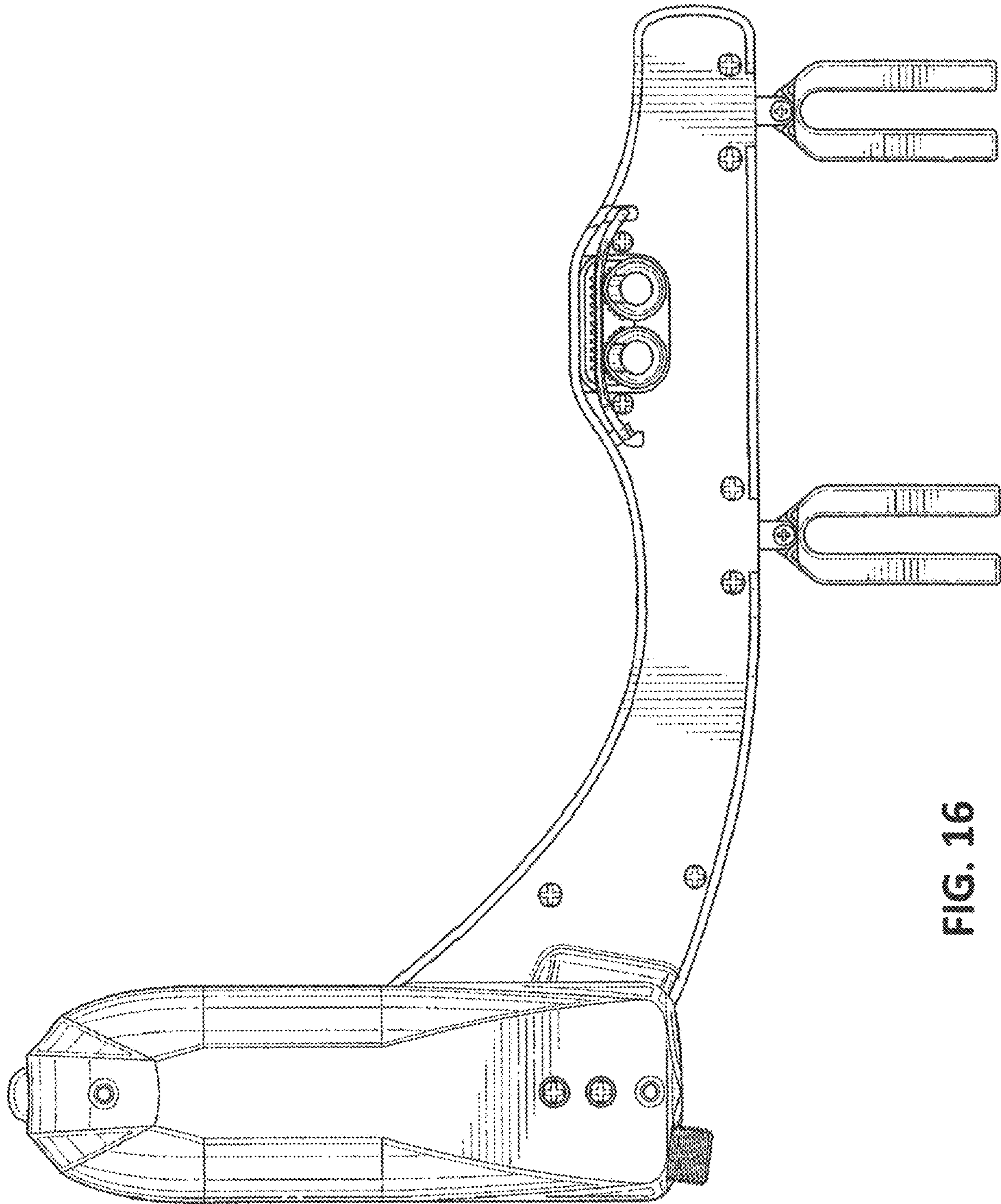


FIG. 16



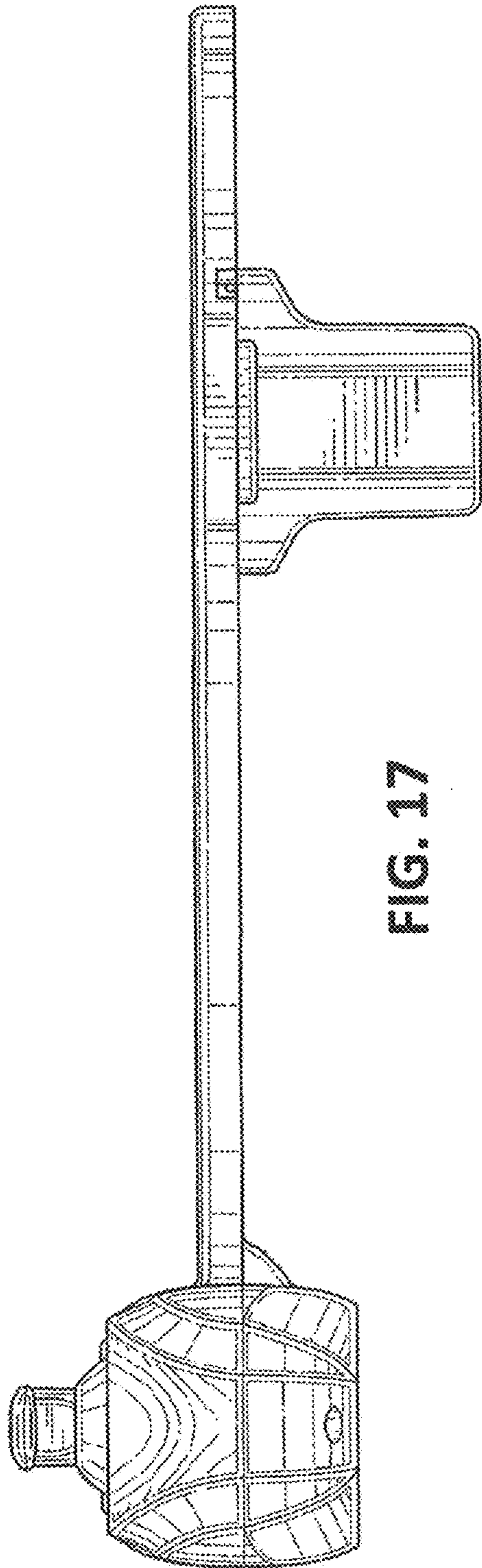


FIG. 17

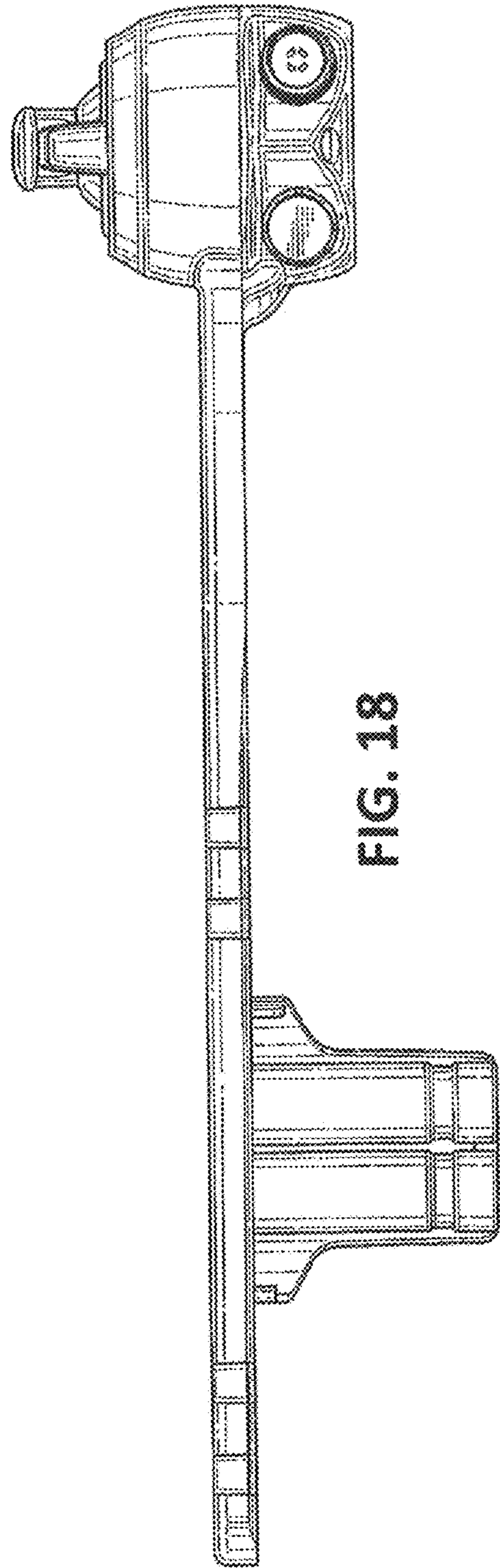


FIG. 18

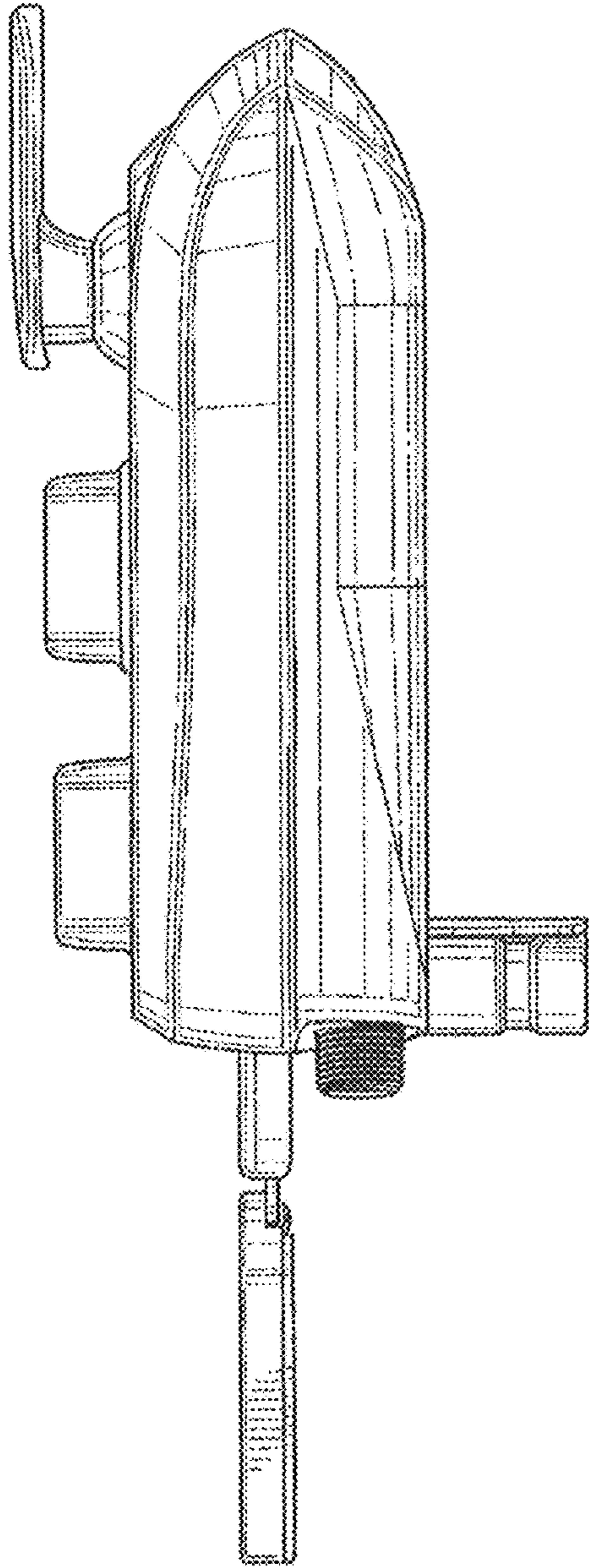


FIG. 19

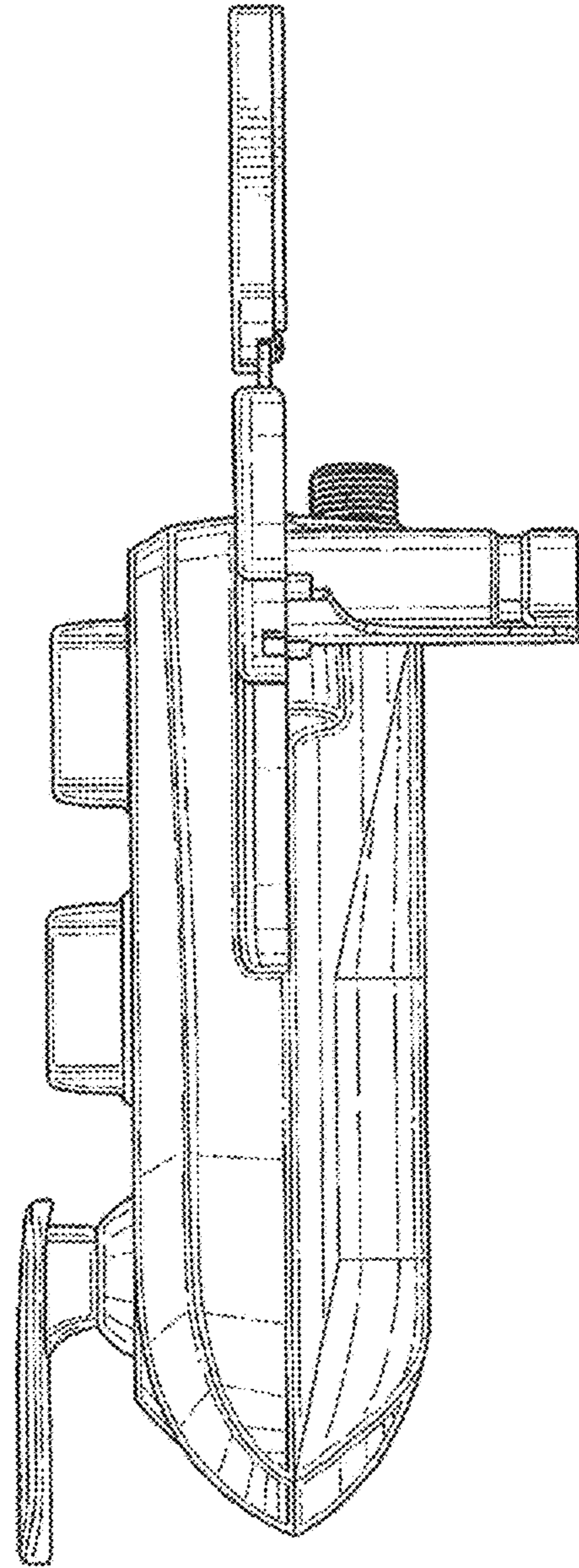


FIG. 20

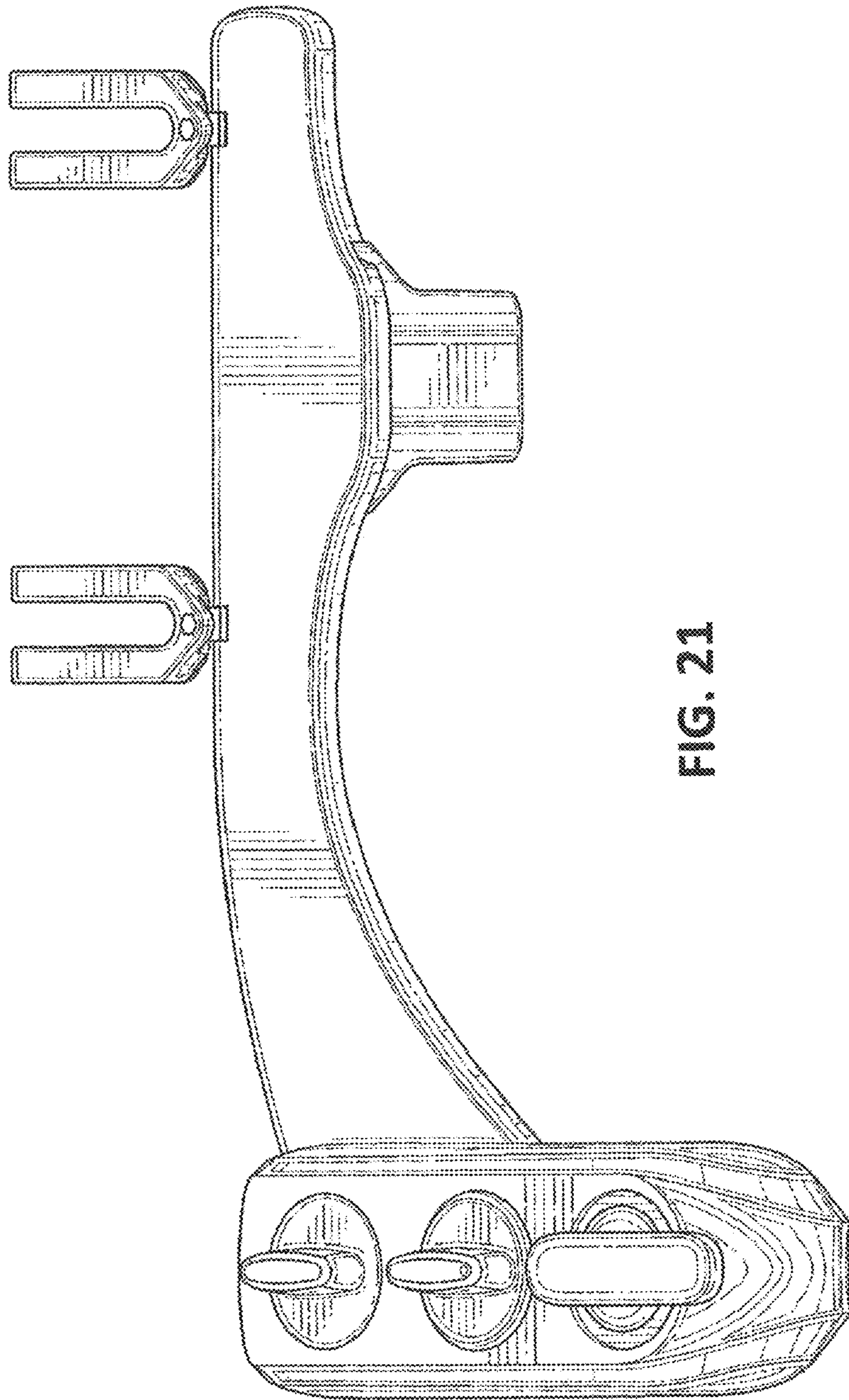


FIG. 21

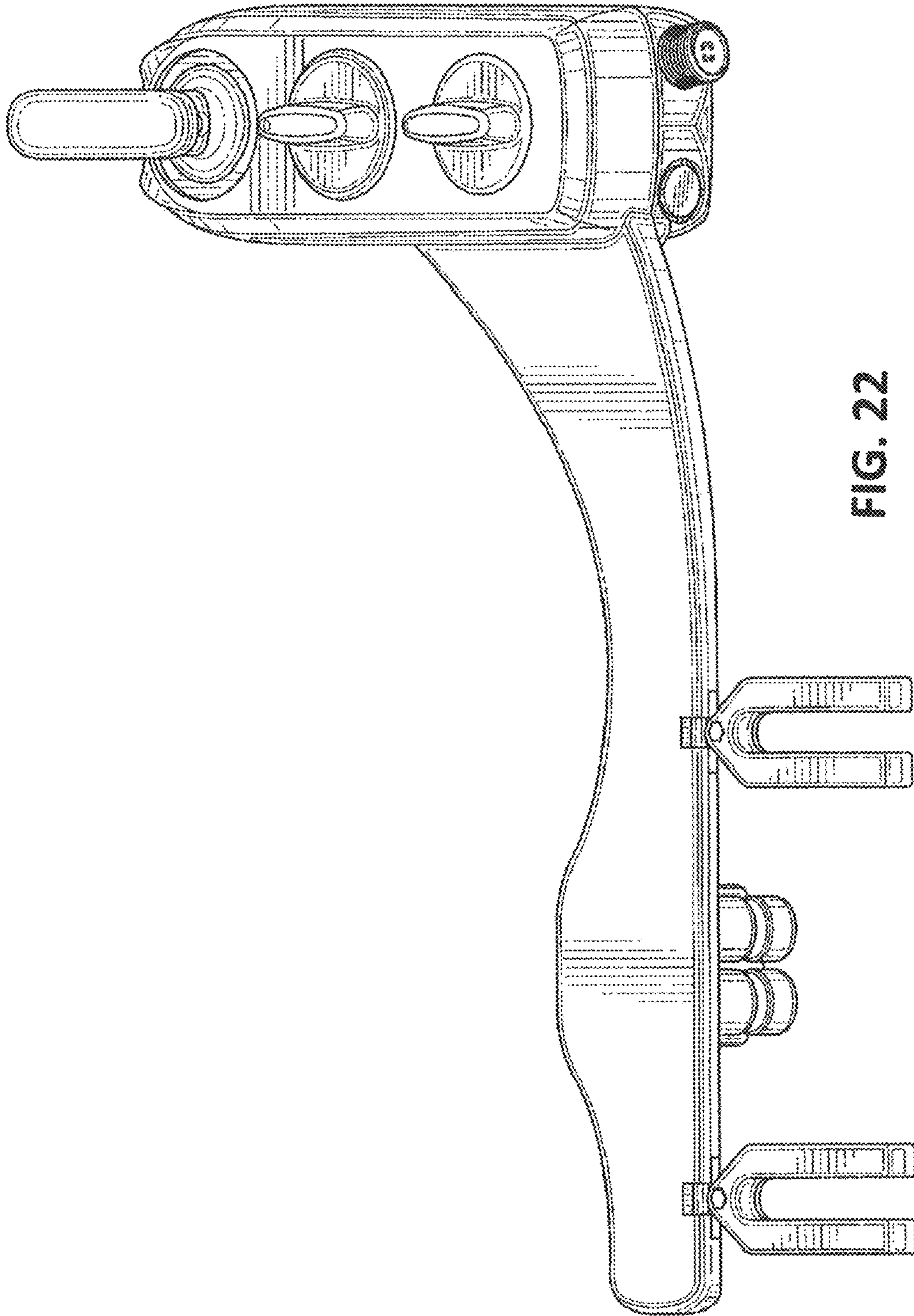


FIG. 22

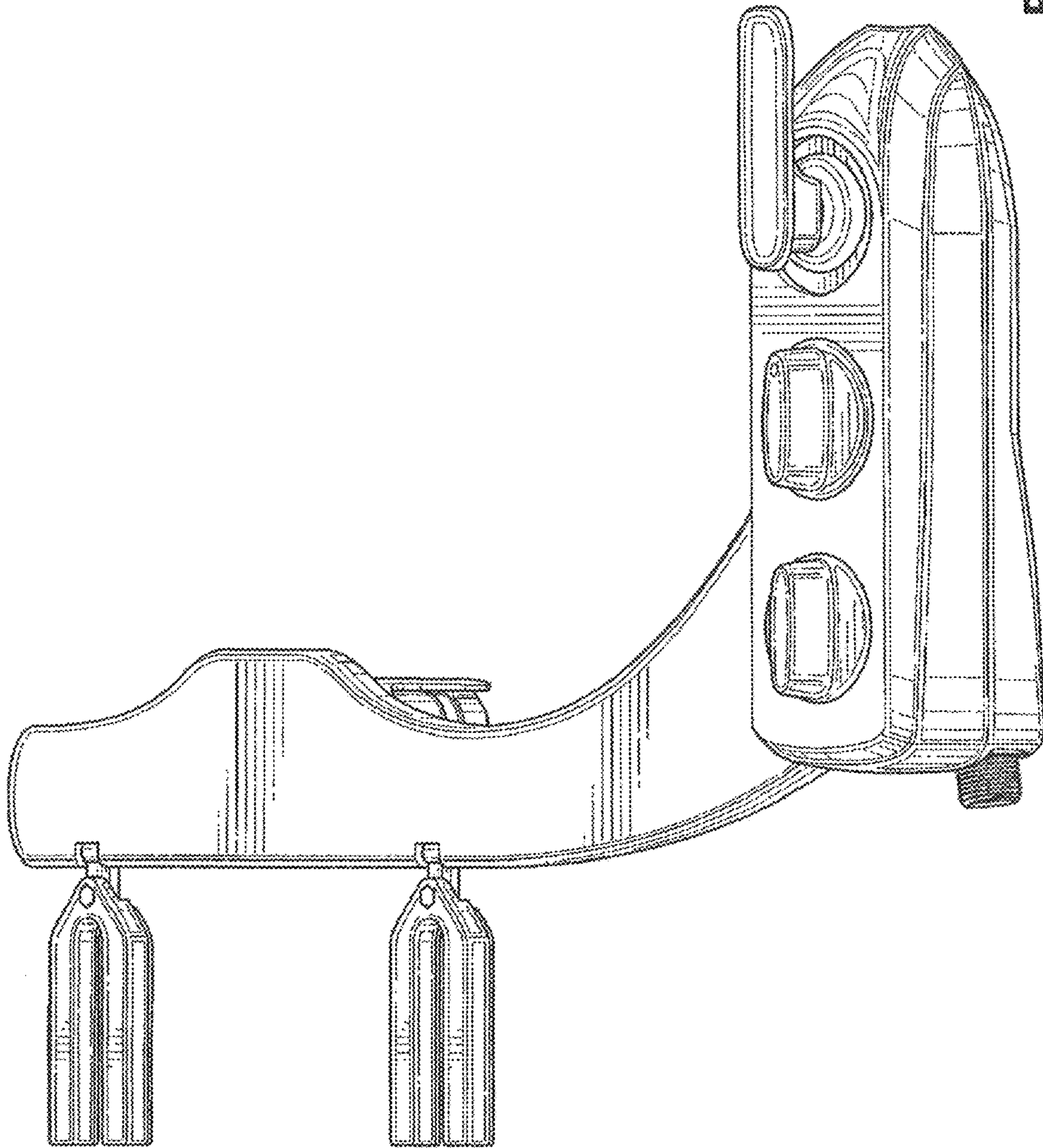


FIG. 23

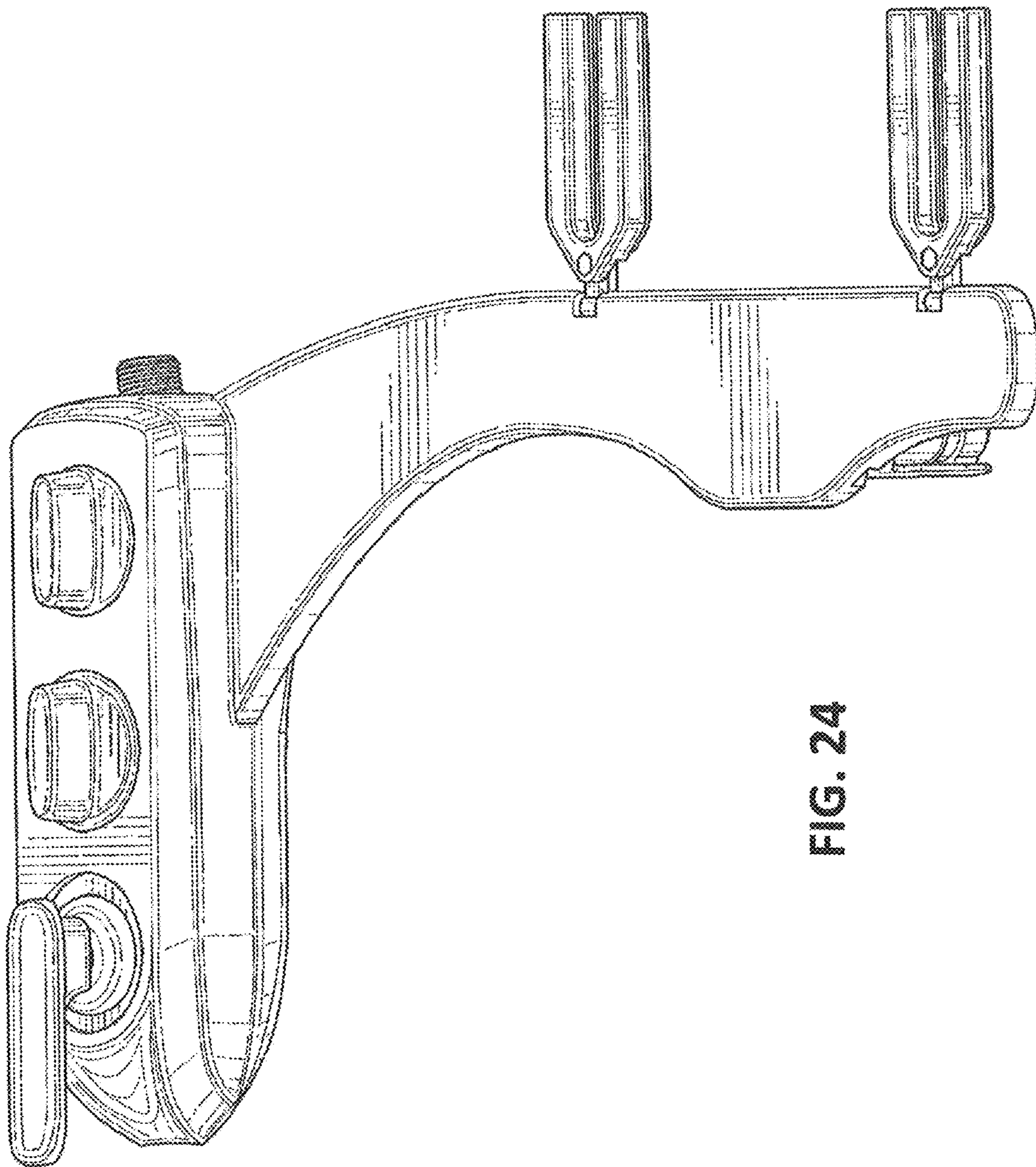


FIG. 24

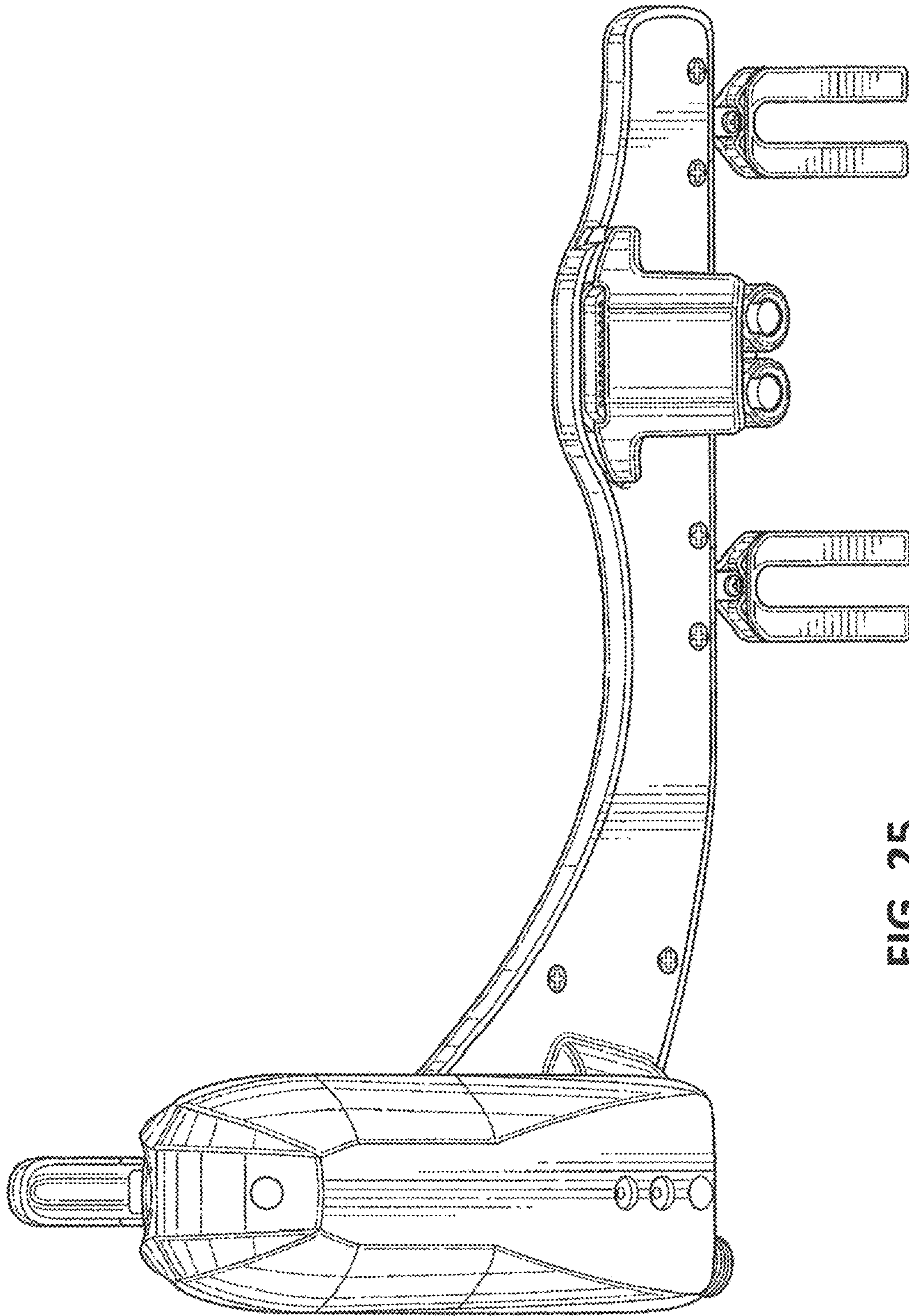


FIG. 25

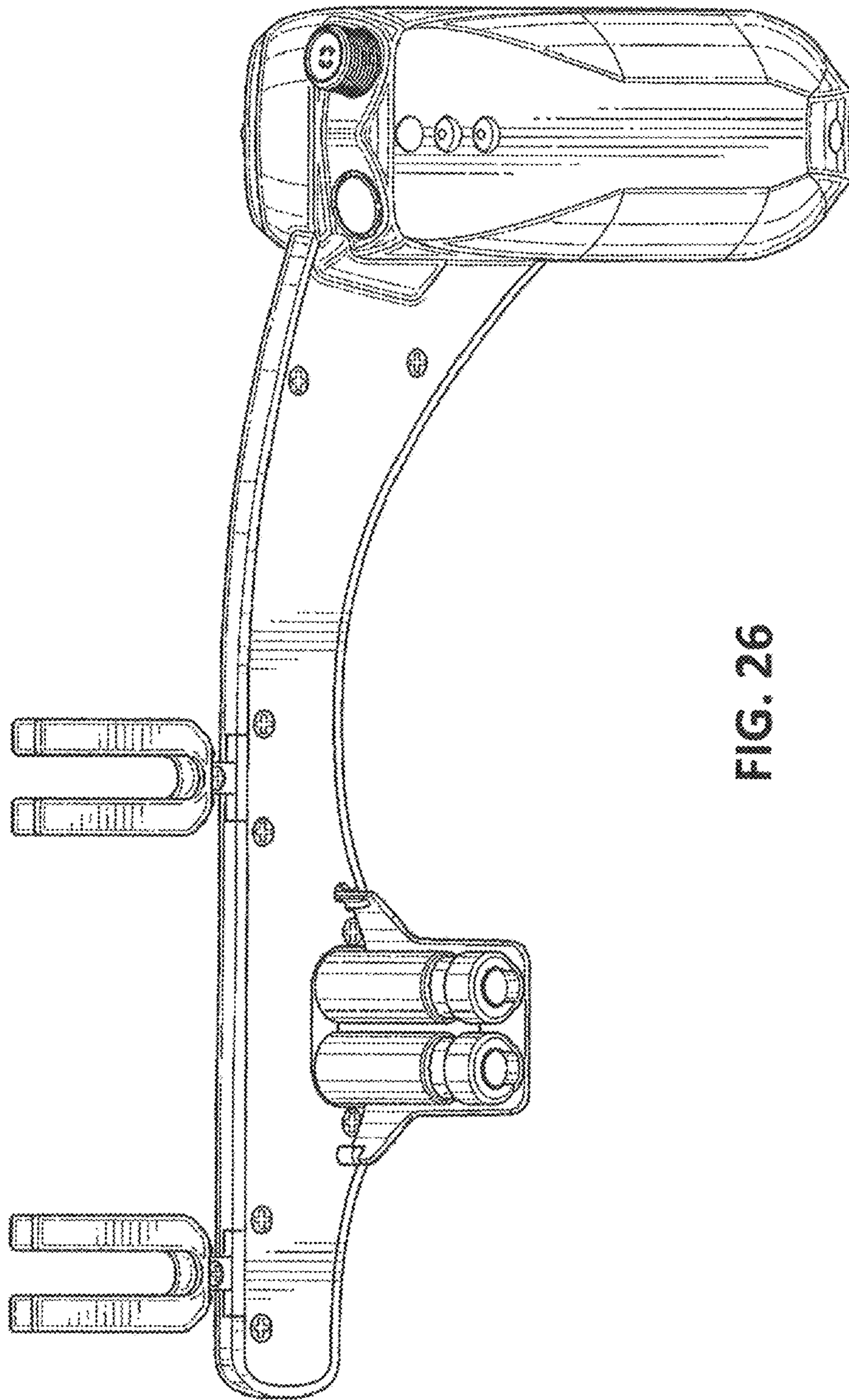


FIG. 26



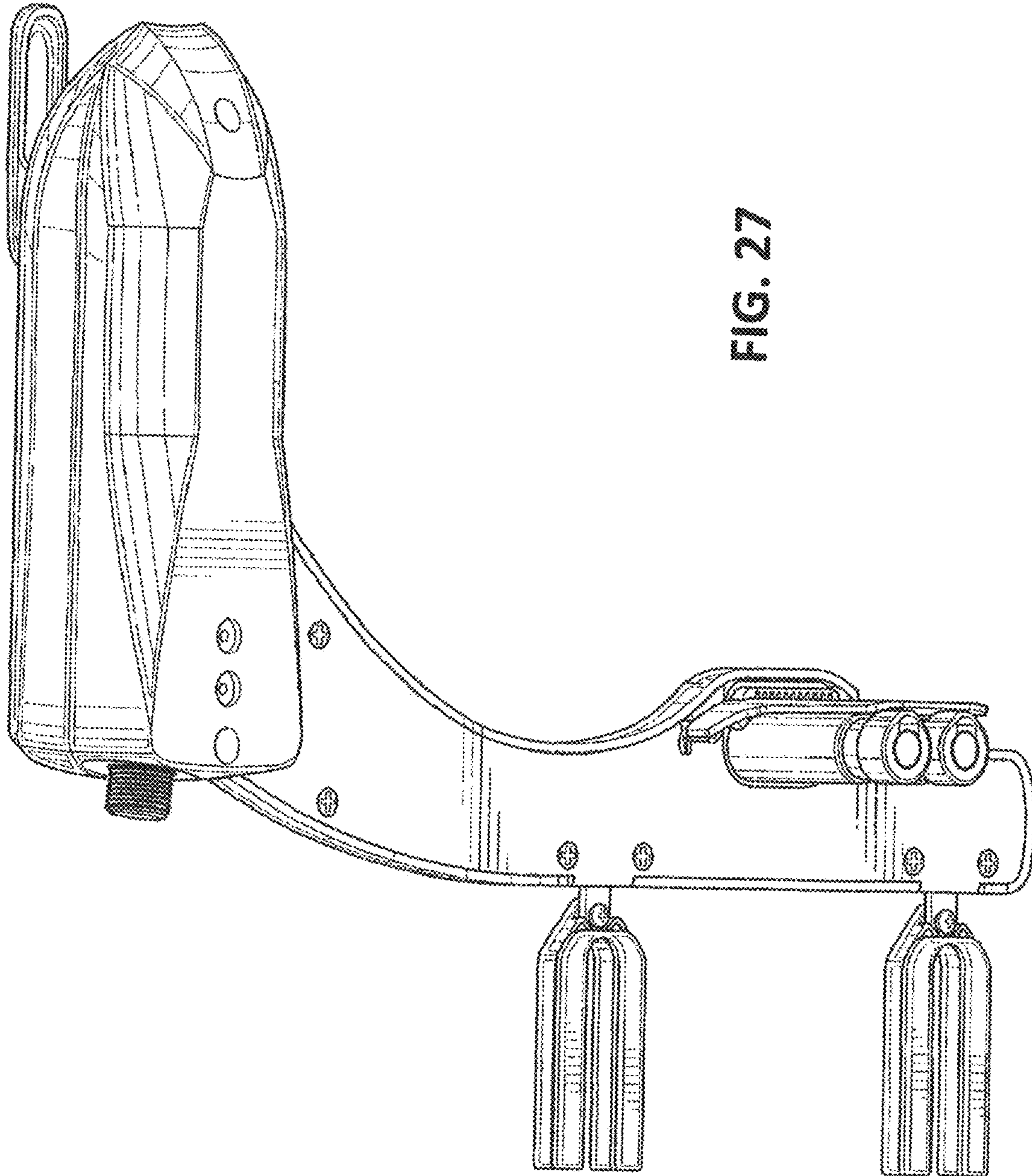


FIG. 27

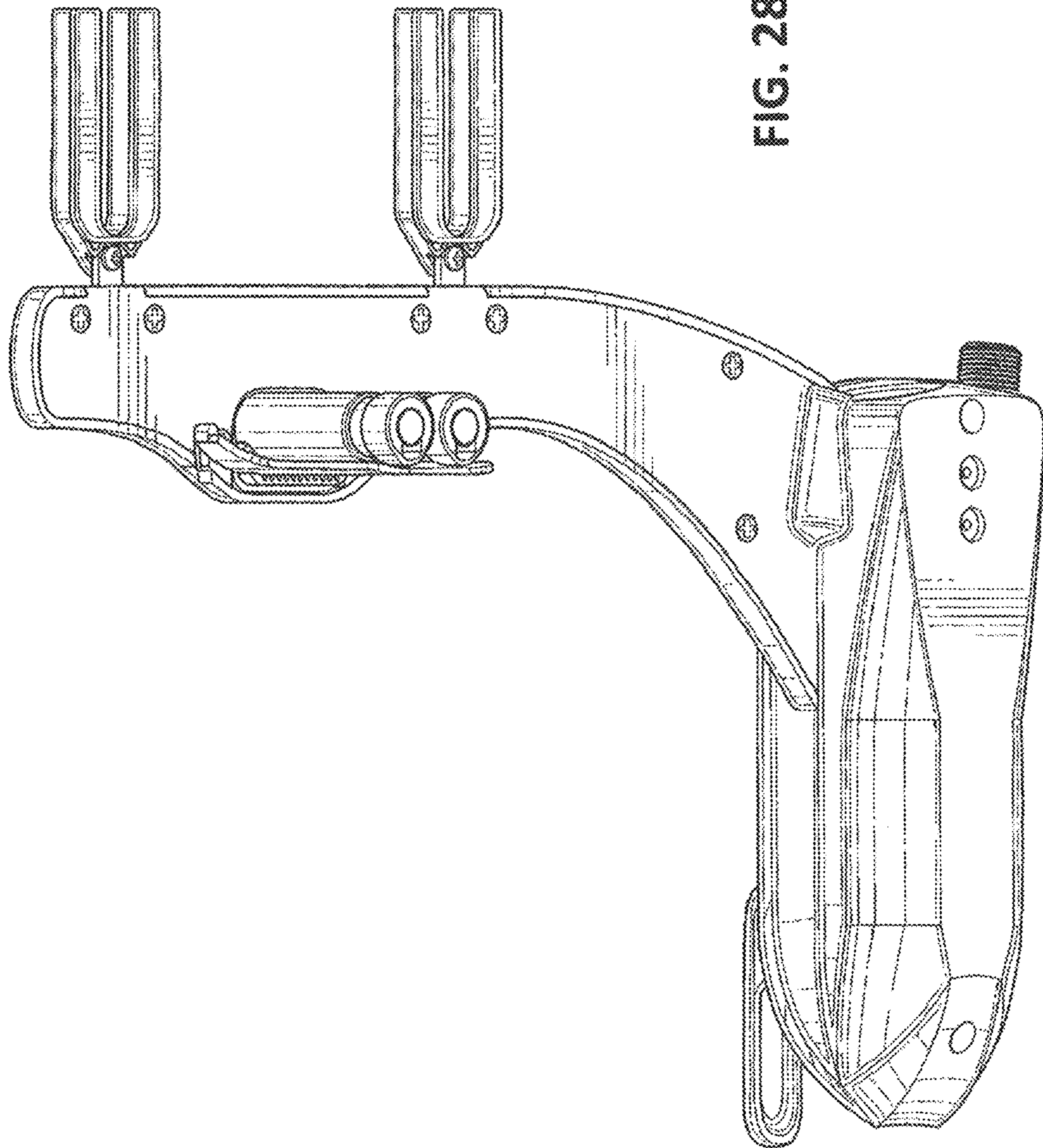


FIG. 28