



US00D873979S

(12) **United States Design Patent**  
**Brochu**

(10) **Patent No.:** **US D873,979 S**  
(45) **Date of Patent:** **\*\* Jan. 28, 2020**

(54) **RAIN GUTTER COVER**

(71) Applicant: **Stéphane Brochu**, Quebec (CA)

(72) Inventor: **Stéphane Brochu**, Quebec (CA)

(\*\*) Term: **15 Years**

(21) Appl. No.: **29/646,092**

(22) Filed: **May 1, 2018**

(51) **LOC (12) Cl.** ..... **23-01**

(52) **U.S. Cl.**  
USPC ..... **D23/267**

(58) **Field of Classification Search**  
USPC ..... D23/259–260, 267, 209, 365; D25/119,  
D25/121–124, 133, 139, 141–142;  
52/11–16  
CPC ... E04D 13/076; E04D 13/072; E04D 13/064;  
E04D 13/068; E04D 13/158; E04D  
13/0641; E04D 13/0459; E04D 13/0477;  
E04D 13/0481; E04D 13/15  
See application file for complete search history.

(56) **References Cited**

**U.S. PATENT DOCUMENTS**

D90,272 S 7/1933 White  
2,277,443 A 3/1942 Livingston  
3,042,742 A 7/1962 Foster  
(Continued)

**FOREIGN PATENT DOCUMENTS**

CA 2305159 10/2001  
CA 2723499 3/2011  
(Continued)

**OTHER PUBLICATIONS**

Sheerflow Gutter Filter, Amazon, <https://www.amazon.com/Silvo-Sheerflow-Gutter-Filter-Brown/dp/>

B000935P2G#customerReviews , Earliest Review Dated Dec. 20, 2011, [Visited Online Feb. 4, 2019].\*

(Continued)

*Primary Examiner* — Amy C Wierenga  
(74) *Attorney, Agent, or Firm* — Remenick PLLC

(57) **CLAIM**

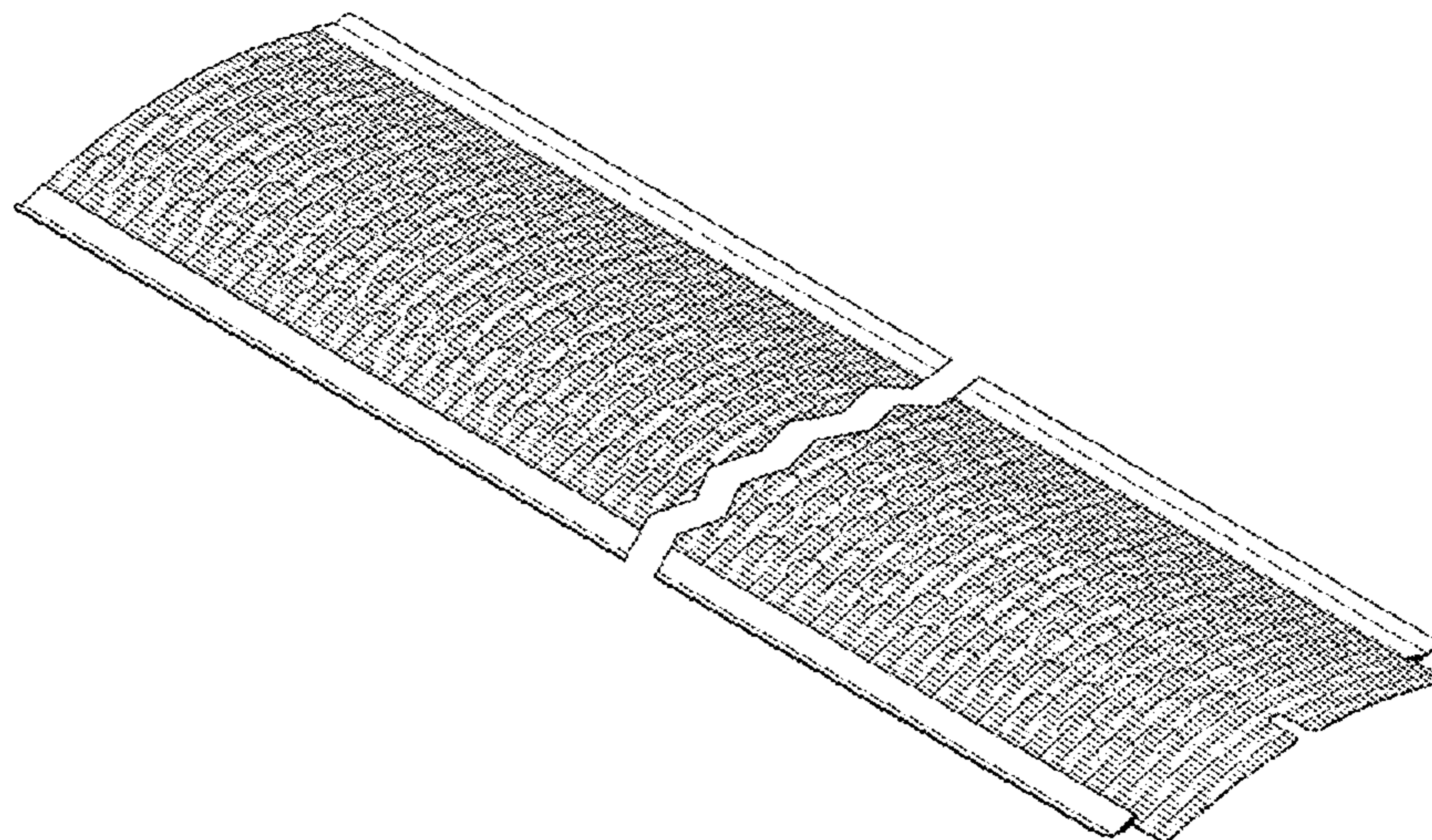
The ornamental design for a rain gutter cover, as shown and described.

**DESCRIPTION**

FIG. 1 is a top perspective view of a rain gutter cover showing my new design;  
FIG. 2 is a top plan view of the rain gutter cover shown in FIG. 1;  
FIG. 3 is a bottom plan view of the rain gutter cover shown in FIG. 1;  
FIG. 4 is a right-side elevation view of the rain gutter cover shown in FIG. 1;  
FIG. 5 is an enlarged detail view of a section of the rain gutter cover taken from FIG. 4;  
FIG. 6 is a left-side elevation view of the rain gutter cover shown in FIG. 1;  
FIG. 7 is a front elevation view of the rain gutter cover shown in FIG. 1;  
FIG. 8 is a rear elevation view of the rain gutter cover shown in FIG. 1;  
FIG. 9 is an enlarged right-side elevation view of the rain gutter cover shown in FIG. 1; and  
FIG. 10 is an enlarged left-side elevation view of the rain gutter cover shown in FIG. 1.

The evenly dashed broken lines in the drawings depict portions of the rain gutter cover and environmental subject-matter that form no part of the claim. The dash dot broken lines depict boundaries of the claim that form no part of the claimed design. The rain gutter cover is shown with a symbolic break in its length. The appearance of the jagged break lines and the portion of the rain gutter cover between the jagged break lines form no part of the claimed design.

**1 Claim, 7 Drawing Sheets**



(56)

References Cited

U.S. PATENT DOCUMENTS

4,808,234 A 2/1989 McKay  
 5,406,754 A \* 4/1995 Cosby ..... E04D 13/076  
 52/12  
 5,744,218 A 4/1998 Barnes  
 5,906,287 A 5/1999 Kohnen  
 5,956,904 A \* 9/1999 Gentry ..... E04D 13/076  
 210/474  
 D460,197 S 7/2002 Stringer  
 6,427,388 B1 8/2002 Brochu  
 6,463,700 B2 \* 10/2002 Davis ..... E04D 13/076  
 210/474  
 D468,446 S 1/2003 Sender  
 6,826,872 B2 12/2004 Brochu  
 D523,538 S 6/2006 Brochu  
 D523,969 S 6/2006 Abruzese  
 D551,740 S 9/2007 Riley  
 D569,011 S 5/2008 Brochu  
 7,908,797 B2 3/2011 Graves  
 D651,292 S 12/2011 Geers  
 D657,850 S \* 4/2012 Bailey ..... D23/267  
 8,191,315 B1 6/2012 Brochu  
 8,316,585 B2 \* 11/2012 Brochu ..... E04D 13/076  
 52/11  
 8,322,082 B2 12/2012 Neumann  
 8,375,644 B2 \* 2/2013 Robins ..... E04D 13/076  
 52/12  
 D677,405 S 3/2013 Landis  
 8,434,269 B1 5/2013 Brochu  
 D683,827 S \* 6/2013 Ealer, Sr. .... D23/267  
 D719,648 S 12/2014 Moody  
 D721,826 S 1/2015 Ryan  
 D722,682 S \* 2/2015 Fox ..... D23/267  
 D723,671 S 3/2015 Brochu  
 9,010,030 B2 \* 4/2015 Davis ..... E04D 13/076  
 52/11  
 D736,900 S 8/2015 Frelier  
 9,163,406 B1 10/2015 Ealer, Sr.  
 D742,541 S 11/2015 Ryan  
 D770,603 S 11/2016 Fryml  
 D782,624 S 3/2017 Haendel  
 D792,985 S 7/2017 Jones  
 D796,067 S 8/2017 Landis  
 2001/0037610 A1 \* 11/2001 Davis ..... E04D 13/076  
 52/12  
 2003/0110712 A1 6/2003 Brochu

2004/0060244 A1 4/2004 Brochu  
 2004/0118052 A1 6/2004 Brochu  
 2004/0244302 A1 12/2004 Neumann  
 2005/0028452 A1 2/2005 Brochu  
 2005/0115160 A1 6/2005 Brochu  
 2005/0193642 A1 9/2005 Brochu et al.  
 2005/0193671 A1 9/2005 Brochu et al.  
 2005/0223657 A1 10/2005 Brochu et al.  
 2005/0279036 A1 12/2005 Brochu  
 2006/0037255 A1 2/2006 Brochu  
 2007/0167130 A1 7/2007 Brochu  
 2007/0169423 A1 7/2007 Brochu  
 2008/0190070 A1 8/2008 Duncan  
 2008/0289263 A1 11/2008 Brochu  
 2009/0013612 A1 1/2009 Brochu  
 2009/0056234 A1 3/2009 Brochu  
 2009/0108144 A1 4/2009 Brochu  
 2011/0067318 A1 \* 3/2011 Lenney ..... E04D 13/076  
 52/12  
 2011/0138698 A1 6/2011 Neumann  
 2012/0110923 A1 \* 5/2012 Robins ..... E04D 13/076  
 52/12  
 2012/0151849 A1 6/2012 Brochu  
 2013/0091780 A1 4/2013 Robins  
 2014/0215929 A1 \* 8/2014 Lenney ..... E04D 13/076  
 52/12  
 2015/0033638 A1 \* 2/2015 Davis ..... E04D 13/076  
 52/12  
 2017/0342717 A1 \* 11/2017 Brochu ..... E04D 13/076  
 2018/0274239 A1 \* 9/2018 Cullen ..... E04D 13/076

FOREIGN PATENT DOCUMENTS

CA	2775864	11/2013
EP	1449980	8/2004
EP	1627974	2/2006
EP	2177685	4/2010
GB	201213305	1/2013
WO	2008134845	11/2008

OTHER PUBLICATIONS

Mr. Fix-Ut Covers the Gutters, Sheerflow Gutter Review (pp. 2-3),  
<https://meador.org/2015/01/31/mr-fix-it-covers-the-gutters/> Publish  
 Date Jan. 21, 2015, [Visited Online Feb. 4, 2019].\*

\* cited by examiner

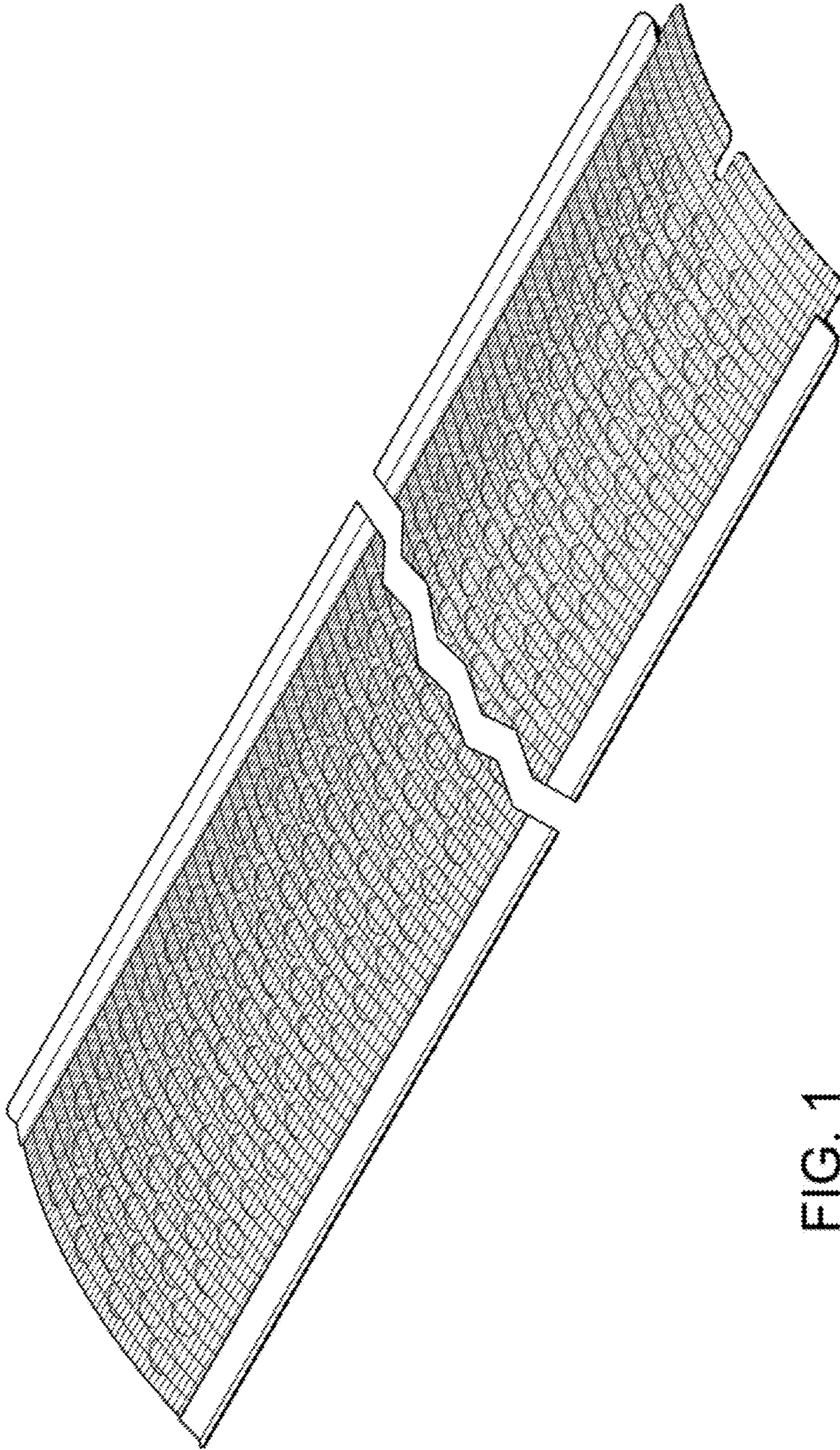


FIG. 1

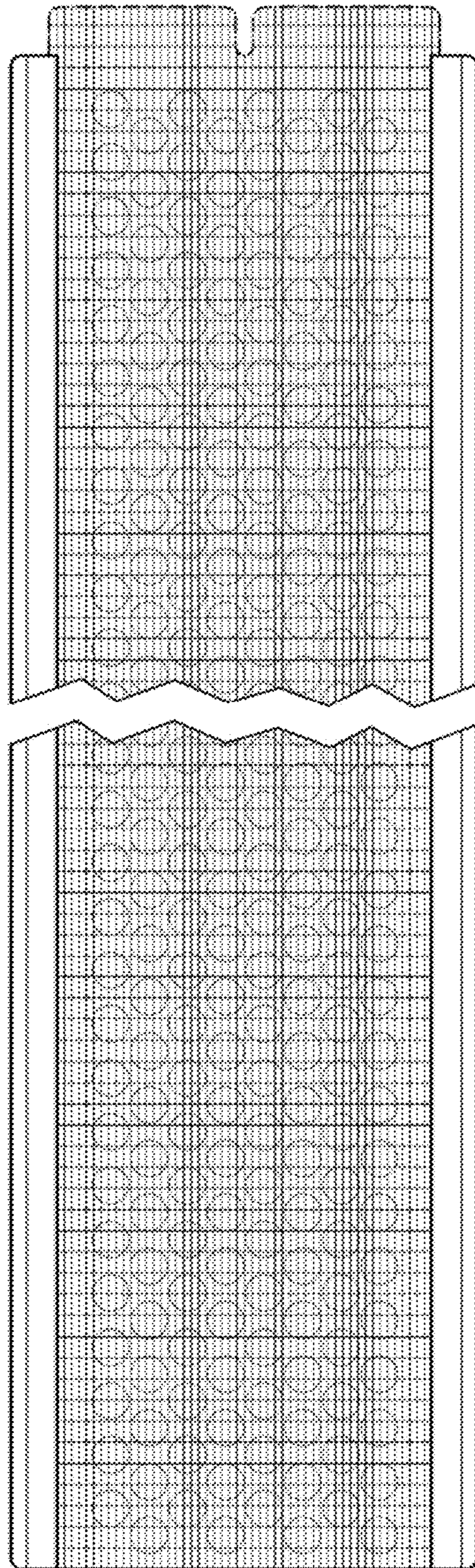


FIG. 2

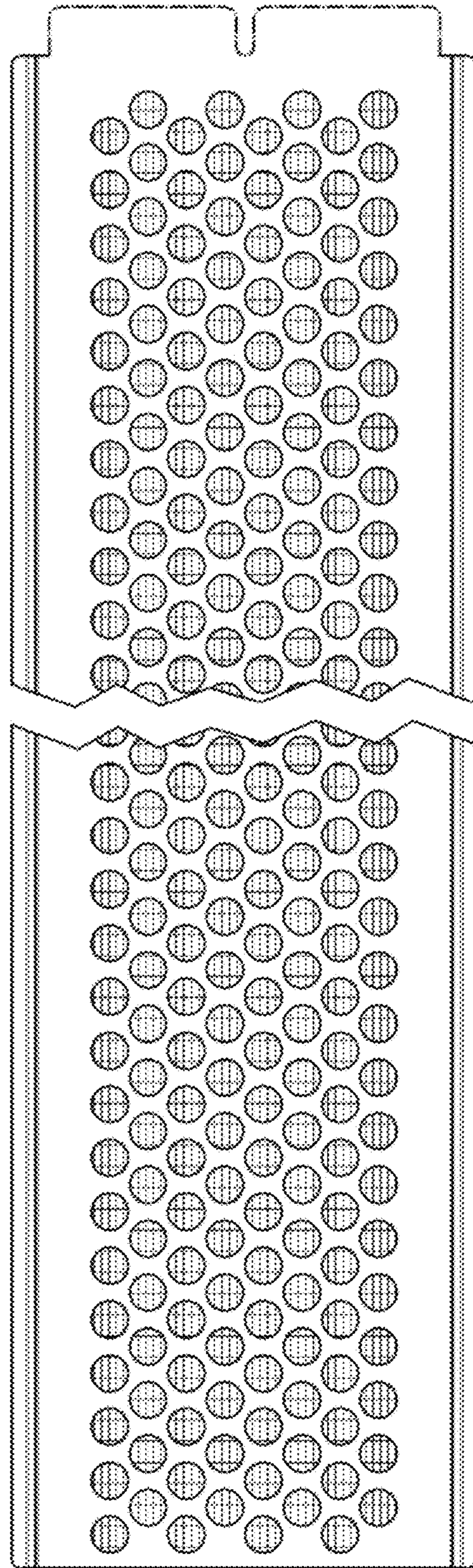


FIG. 3

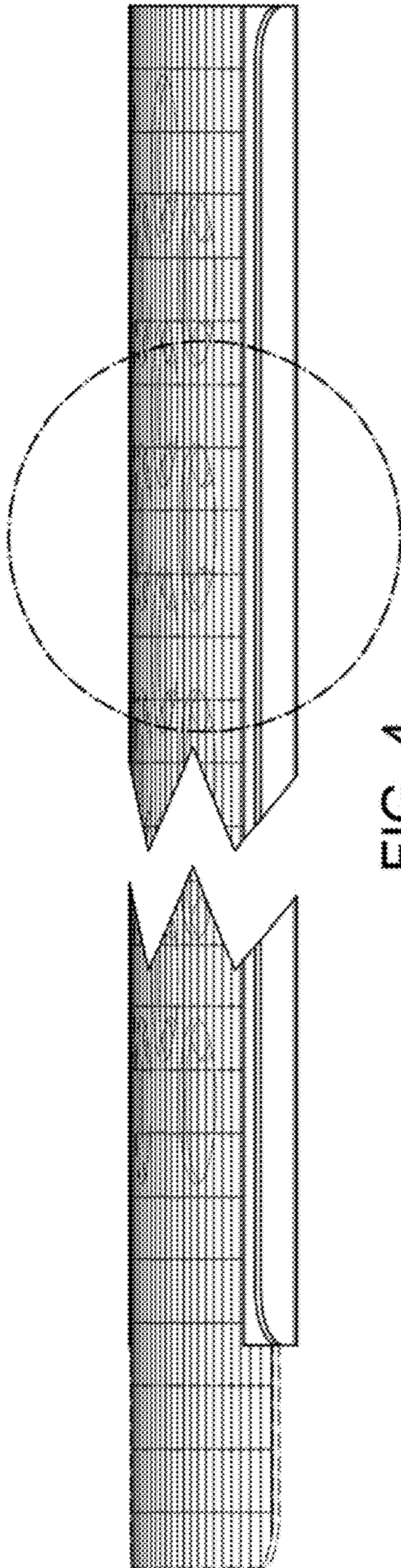


FIG. 4

FIG. 5

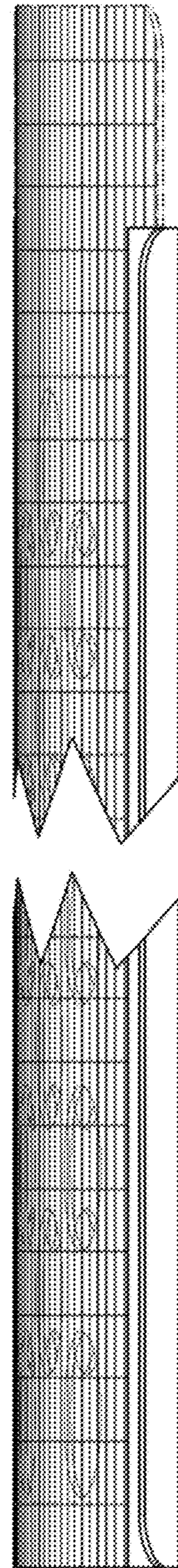


FIG. 6

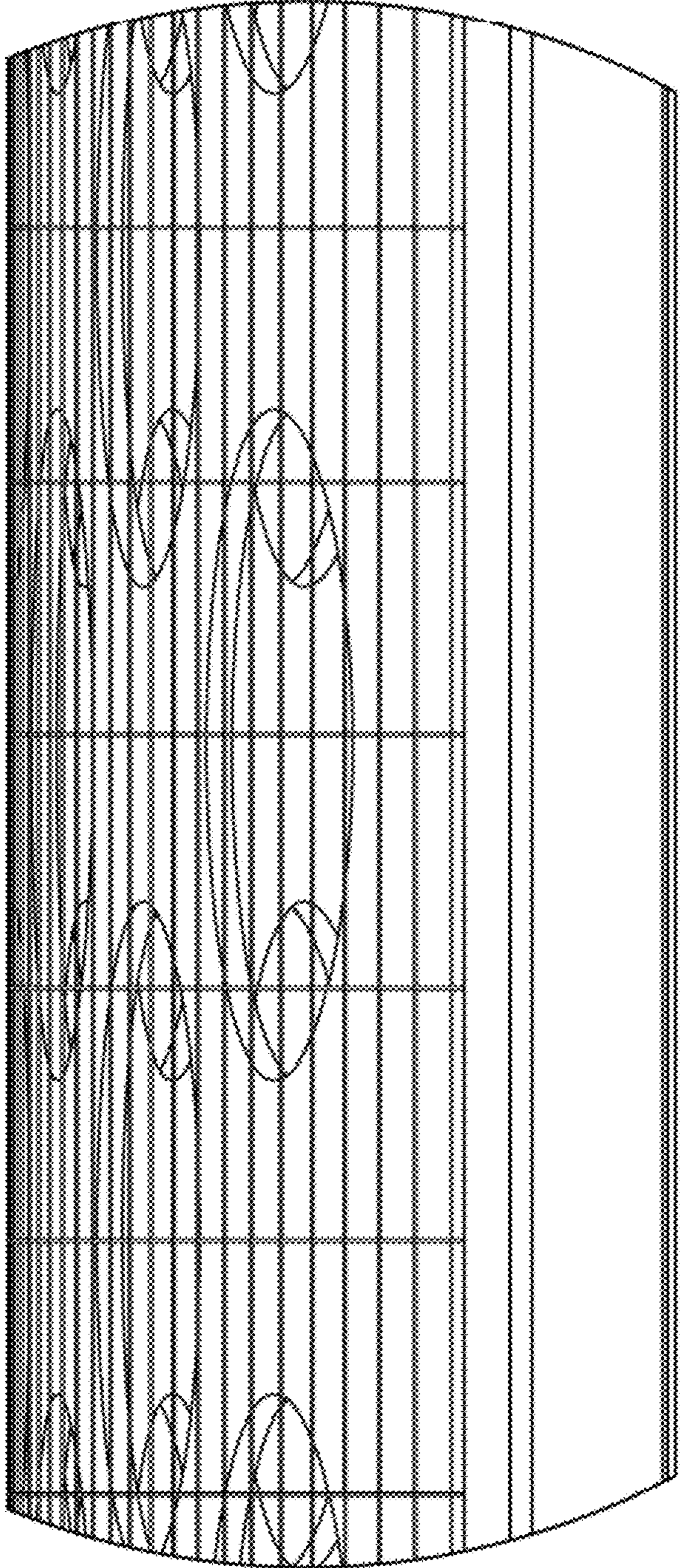


FIG. 5

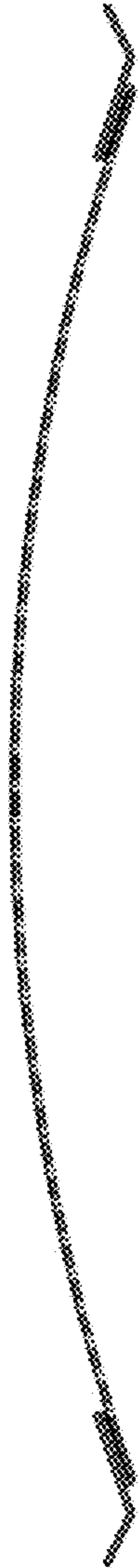


FIG. 7

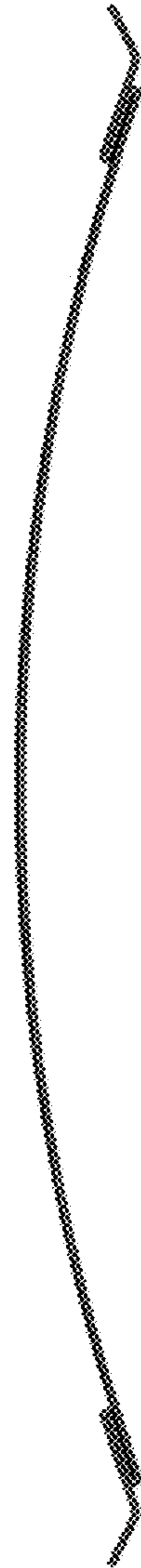


FIG. 8



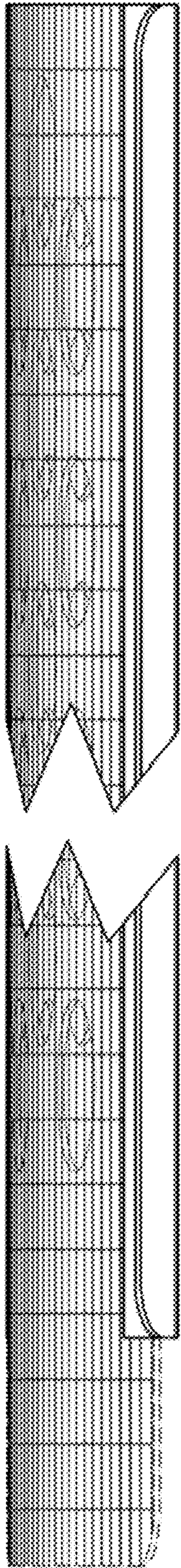


FIG. 9

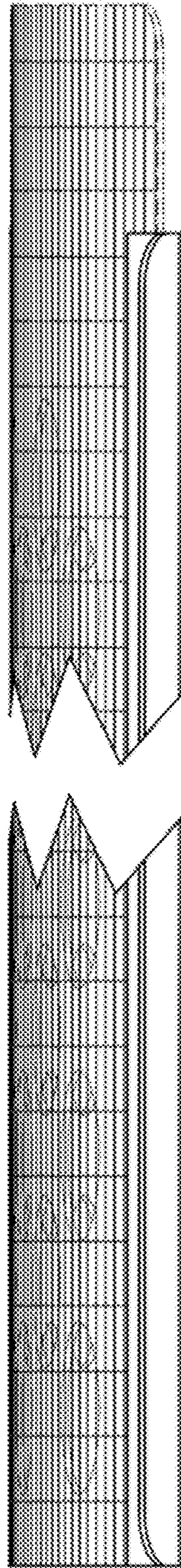


FIG. 10