



US00D873978S

(12) **United States Design Patent** (10) **Patent No.:** **US D873,978 S**
Edwards (45) **Date of Patent:** **** Jan. 28, 2020**

(54) **HOSE FITTING**
(71) Applicant: **Kevin Craig Edwards**, Woodland Hills, CA (US)
(72) Inventor: **Kevin Craig Edwards**, Woodland Hills, CA (US)
(**) Term: **15 Years**
(21) Appl. No.: **29/670,033**
(22) Filed: **Nov. 13, 2018**
(51) **LOC (12) Cl.** **23-01**
(52) **U.S. Cl.**
USPC **D23/263**
(58) **Field of Classification Search**
USPC D23/259, 262-266, 245, 213, 233, 235;
285/179, 179.1-179.2, 180-183;
137/315.23, 798; 138/109-110, 155,
138/96 T
CPC F16L 37/252; F16L 43/00
See application file for complete search history.

D634,820 S * 3/2011 Leroyer D23/263
D741,458 S * 10/2015 Guest D23/262
D746,958 S * 1/2016 Gledhill D23/262
D783,129 S * 4/2017 Edwards D23/235
D783,130 S * 4/2017 Edwards D23/235
D796,010 S * 8/2017 Downie D23/263
D804,618 S * 12/2017 Hurley D23/259
2017/0321827 A1 * 11/2017 Lee E03C 1/042

* cited by examiner

Primary Examiner — Amy C Wierenga
(74) *Attorney, Agent, or Firm* — Ted Masters

(57) **CLAIM**

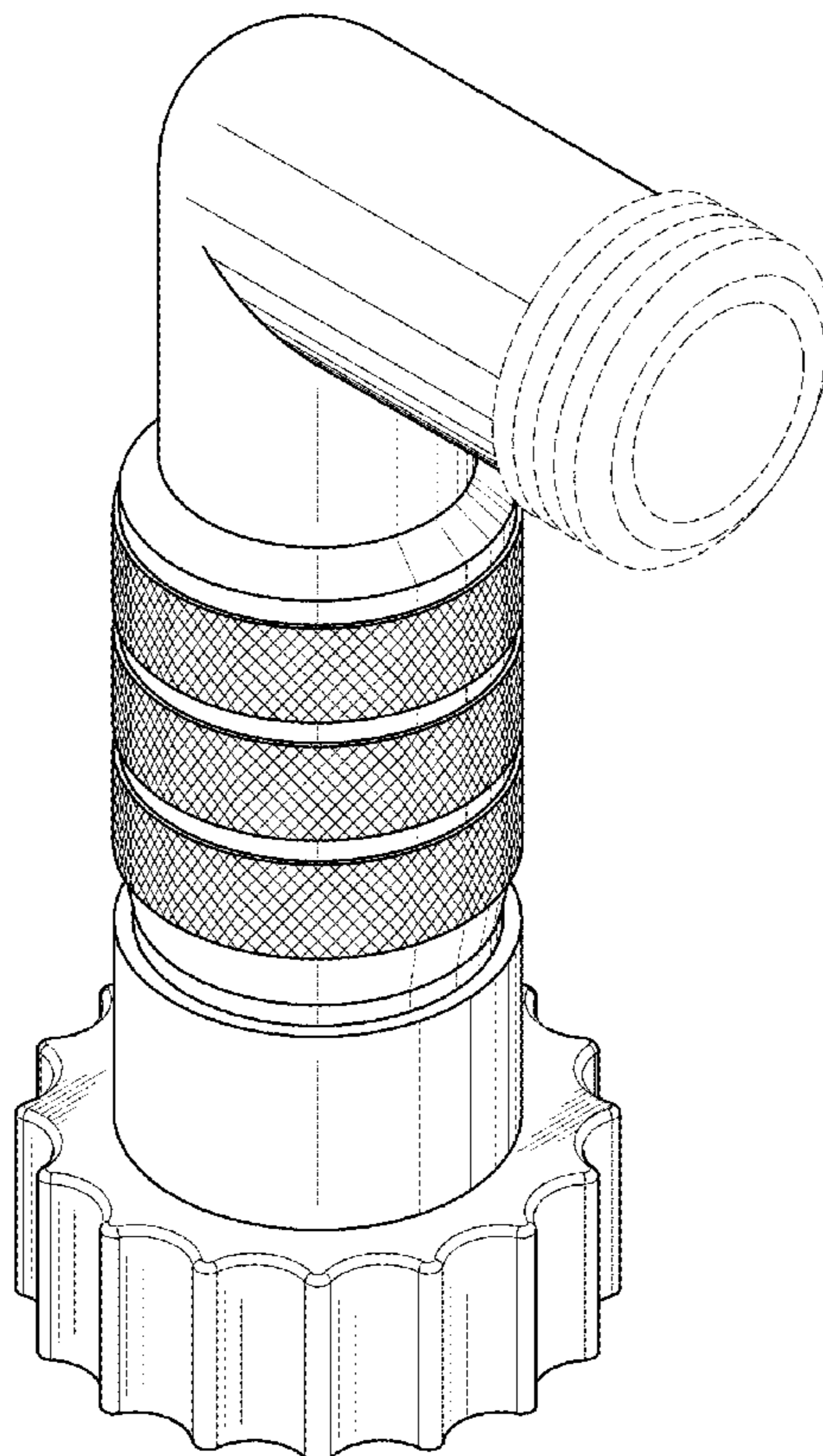
The ornamental design for a hose fitting, as shown and described.

DESCRIPTION

FIG. 1 is a front perspective view of the hose fitting; FIG. 2 is a side elevation view of the hose fitting, the opposite side elevation view being the mirror image; FIG. 3 is a rear elevation view of the hose fitting; FIG. 4 is a front elevation view of the hose fitting; FIG. 5 is top plan view of the hose fitting; and, FIG. 6 is a bottom plan view of the hose fitting. The threaded end of the hose fitting shown in FIGS. 1-6 is shown in broken lines and forms no part of the claimed design. The screen shown in FIG. 6 is shown in broken lines and forms no part of the claimed design.

1 Claim, 5 Drawing Sheets

(56) **References Cited**
U.S. PATENT DOCUMENTS
6,114,631 A * 9/2000 Gretz F16L 27/0837
174/50.52
D434,834 S * 12/2000 Goto D23/262
D564,637 S * 3/2008 Brockington D23/263
D565,697 S * 4/2008 Thiel D23/213
D598,985 S * 8/2009 Smith D23/259



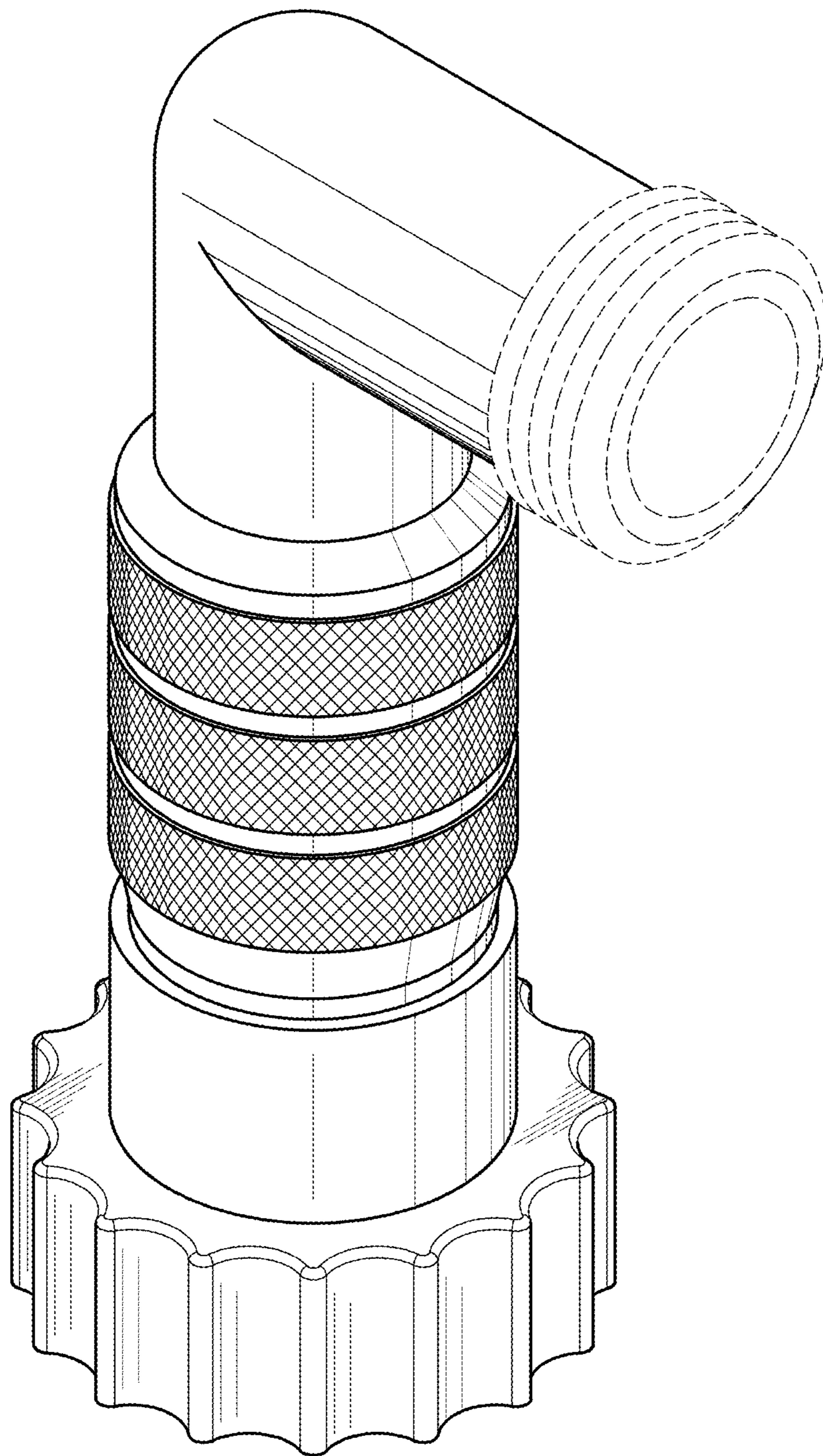


FIG. 1

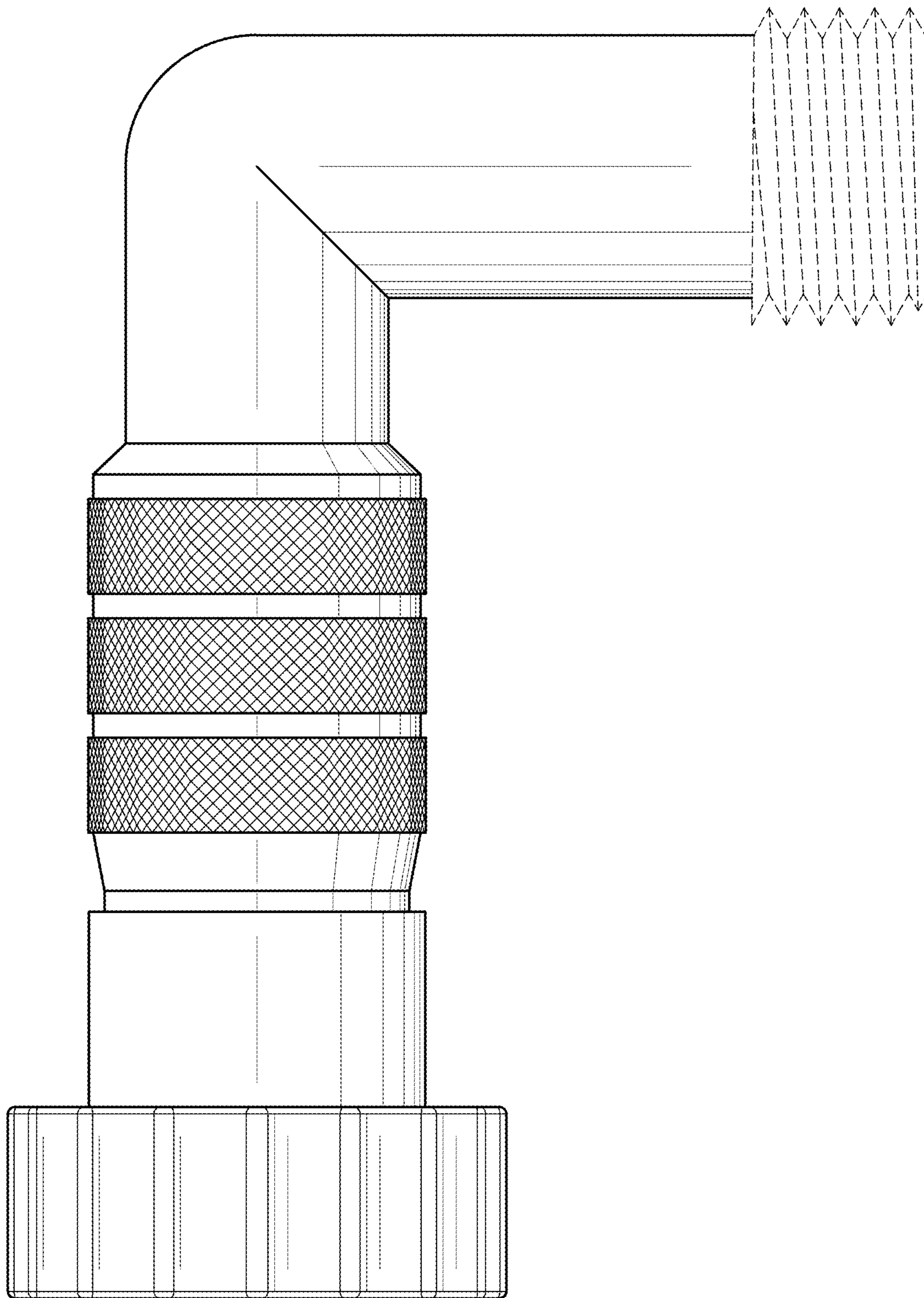


FIG. 2

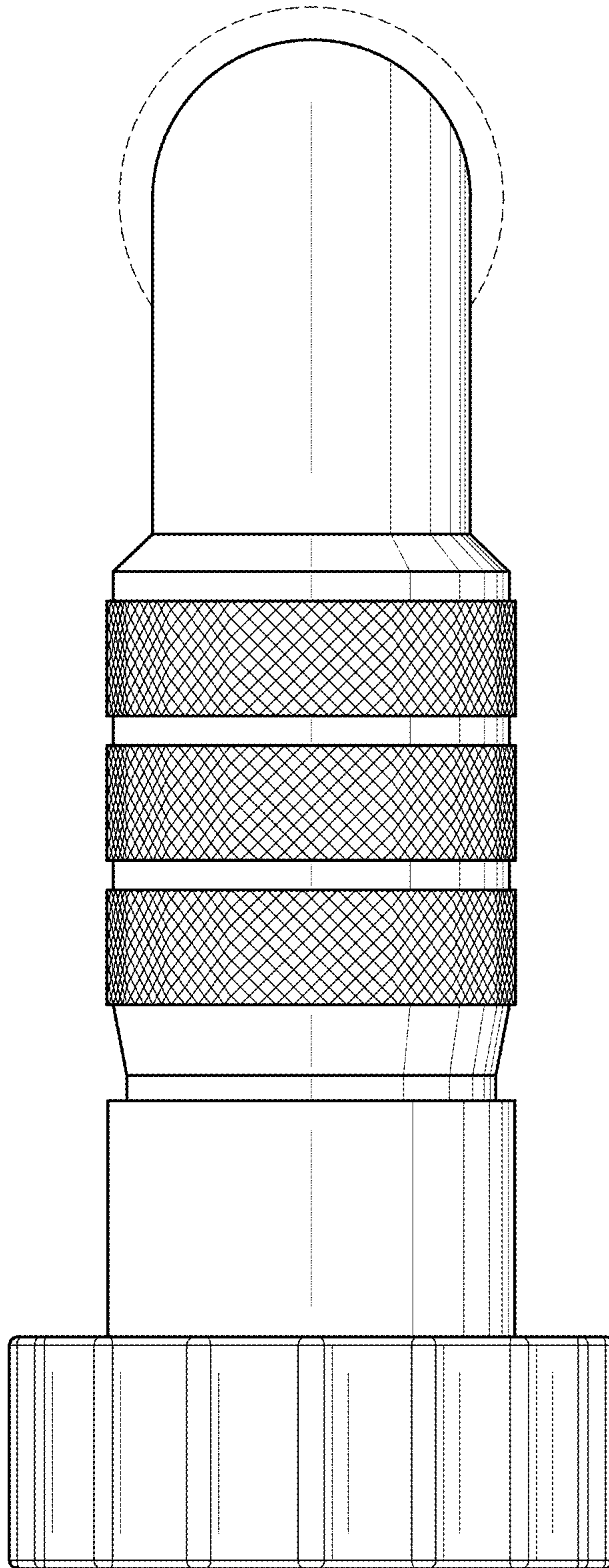


FIG. 3

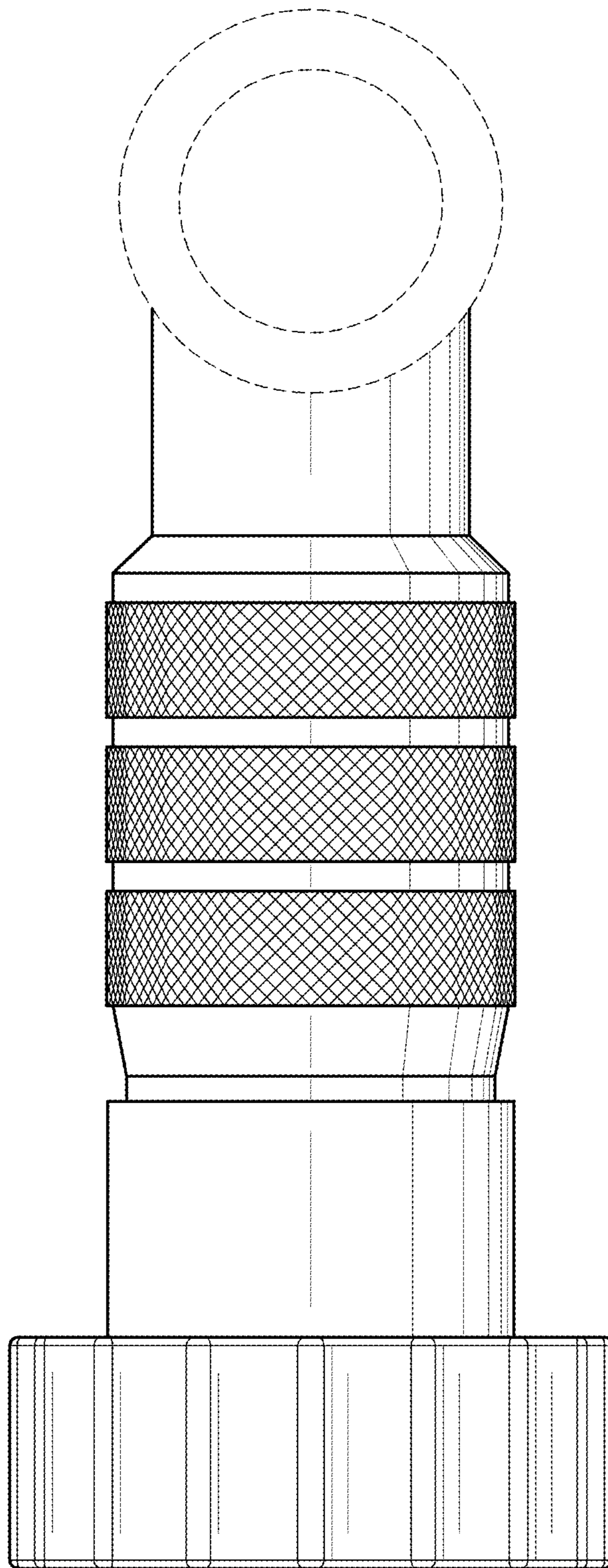


FIG. 4

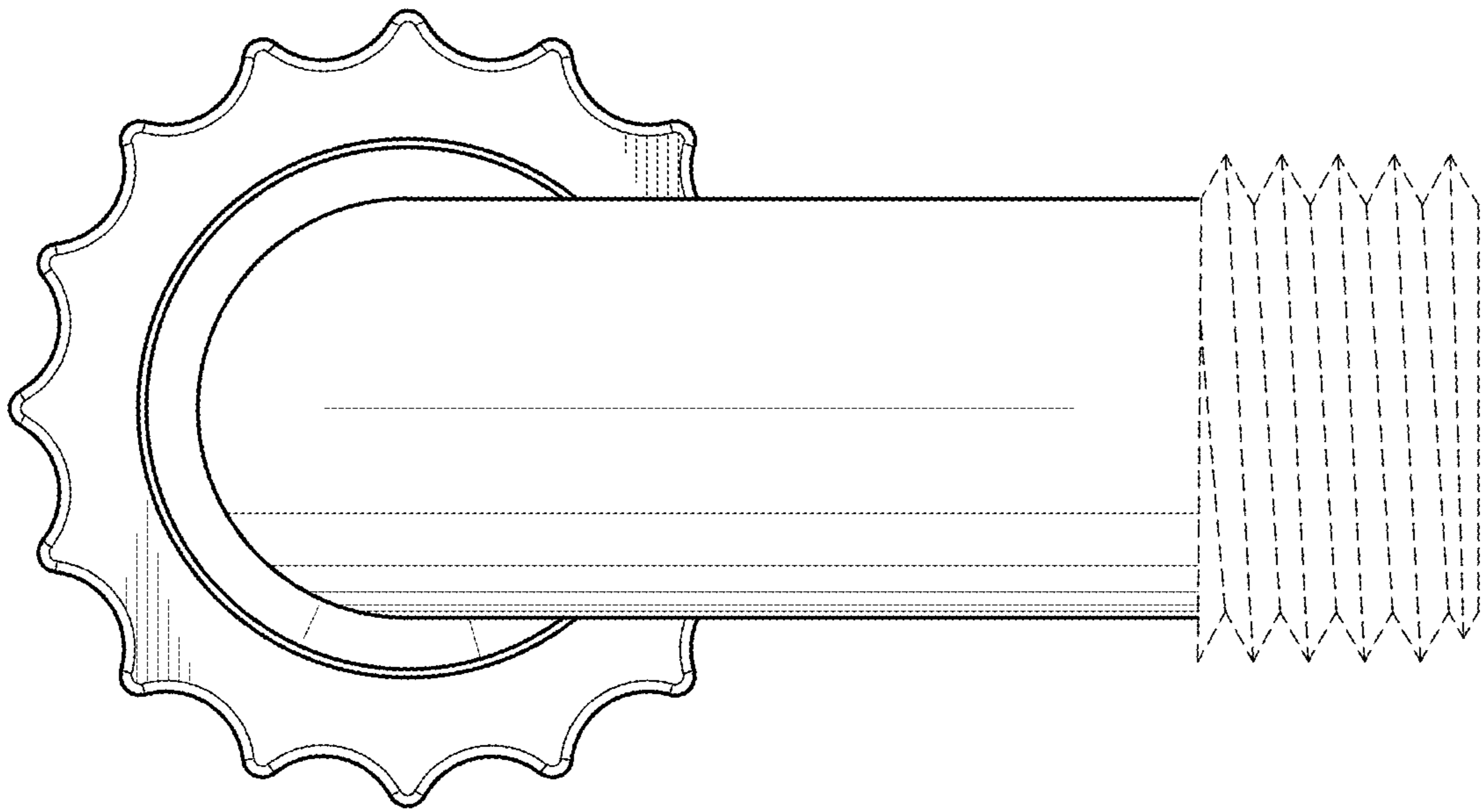


FIG. 5

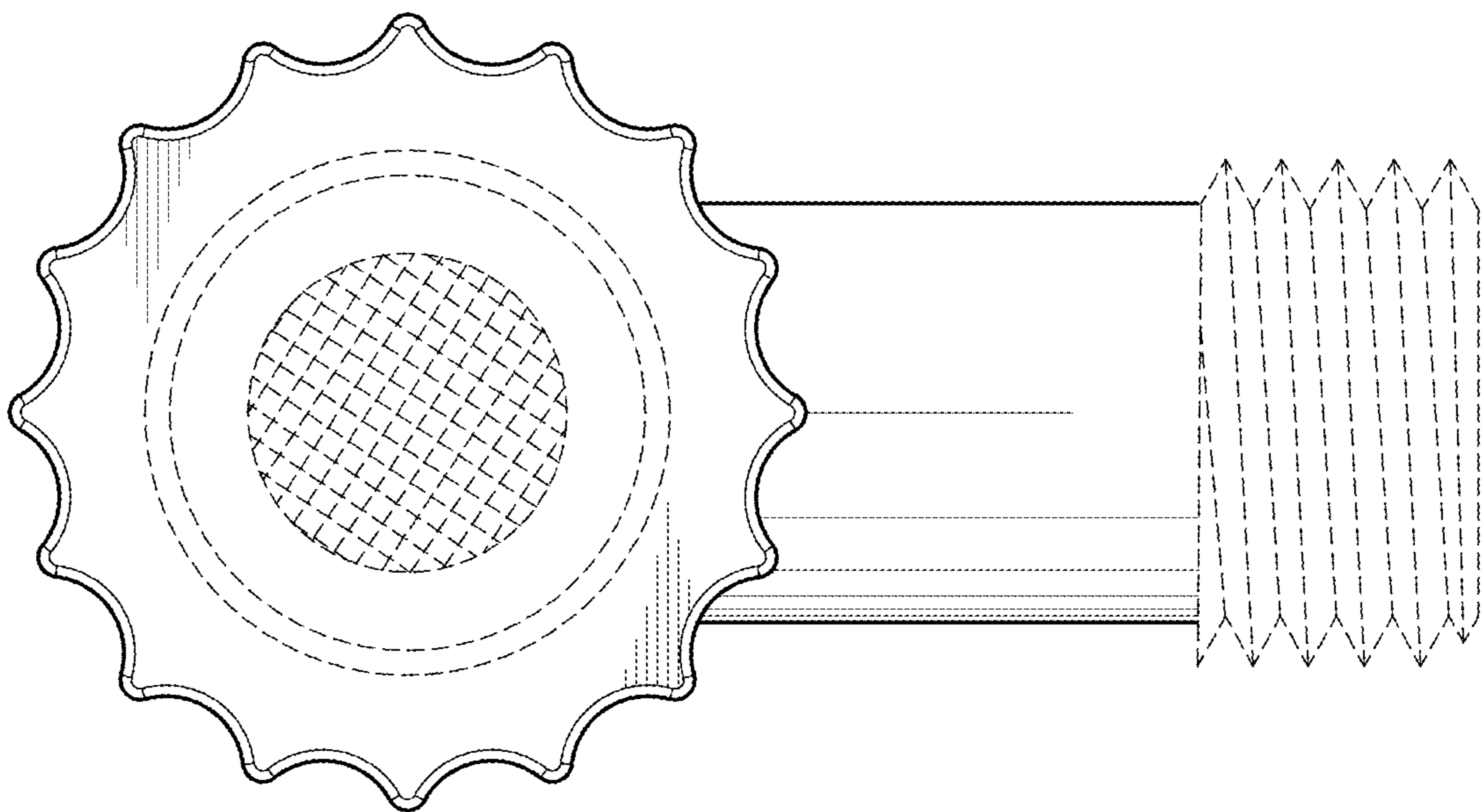


FIG. 6