



US00D873977S

(12) **United States Design Patent**
Vaz et al.

(10) **Patent No.:** **US D873,977 S**
(45) **Date of Patent:** **** Jan. 28, 2020**

- (54) **MALE HOSE COUPLING**
- (71) Applicant: **TEKNOR APEX COMPANY,**
Pawtucket, RI (US)
- (72) Inventors: **David Vaz,** Riverside, RI (US); **Mark Buchan,** Norton, MA (US)
- (73) Assignee: **TEKNOR APEX COMPANY,**
Pawtucket, RI (US)
- (**) Term: **15 Years**
- (21) Appl. No.: **29/657,908**
- (22) Filed: **Jul. 26, 2018**
- (51) **LOC (12) Cl.** **23-01**
- (52) **U.S. Cl.**
USPC **D23/262**
- (58) **Field of Classification Search**
USPC D23/259, 262–266, 245, 213, 233, 235;
285/197–200; 137/315.23
CPC F16L 37/252; F16L 43/00; F16L 33/00
See application file for complete search history.

(56) **References Cited**

U.S. PATENT DOCUMENTS

D46,944 S *	2/1915	Coughlin	D23/266
2,245,847 A *	6/1941	Bagby	F16L 37/107
				285/83
2,813,730 A *	11/1957	Courtot	F16L 33/22
				285/242
3,162,470 A *	12/1964	Owens	F16L 37/252
				285/86
D231,928 S *	6/1974	Nelson	D23/247
D603,940 S *	11/2009	Jerabek	D23/262
D627,038 S *	11/2010	Yu	D23/260
D736,357 S	8/2015	Melo et al.		
D736,358 S	8/2015	Melo et al.		
D736,359 S	8/2015	Melo et al.		
D738,471 S	9/2015	Melo et al.		

D744,562 S *	12/2015	Hassan	D15/144
D744,563 S *	12/2015	Hassan	D15/144
D744,564 S *	12/2015	Hassan	D15/144
D757,233 S	5/2016	Vaz et al.		
D763,816 S *	8/2016	Hassan	D15/144
D777,888 S	1/2017	Vaz et al.		
D779,640 S	2/2017	Vaz et al.		
D782,623 S	3/2017	Vaz et al.		
D784,497 S	4/2017	Vaz et al.		
D785,141 S	4/2017	Vaz et al.		
9,810,357 B2 *	11/2017	Blanchette	F16L 33/207
D812,202 S *	3/2018	Blanchette	D23/266

* cited by examiner

Primary Examiner — Amy C Wierenga

(74) *Attorney, Agent, or Firm* — Hudak, Shunk & Farine Co. LPA

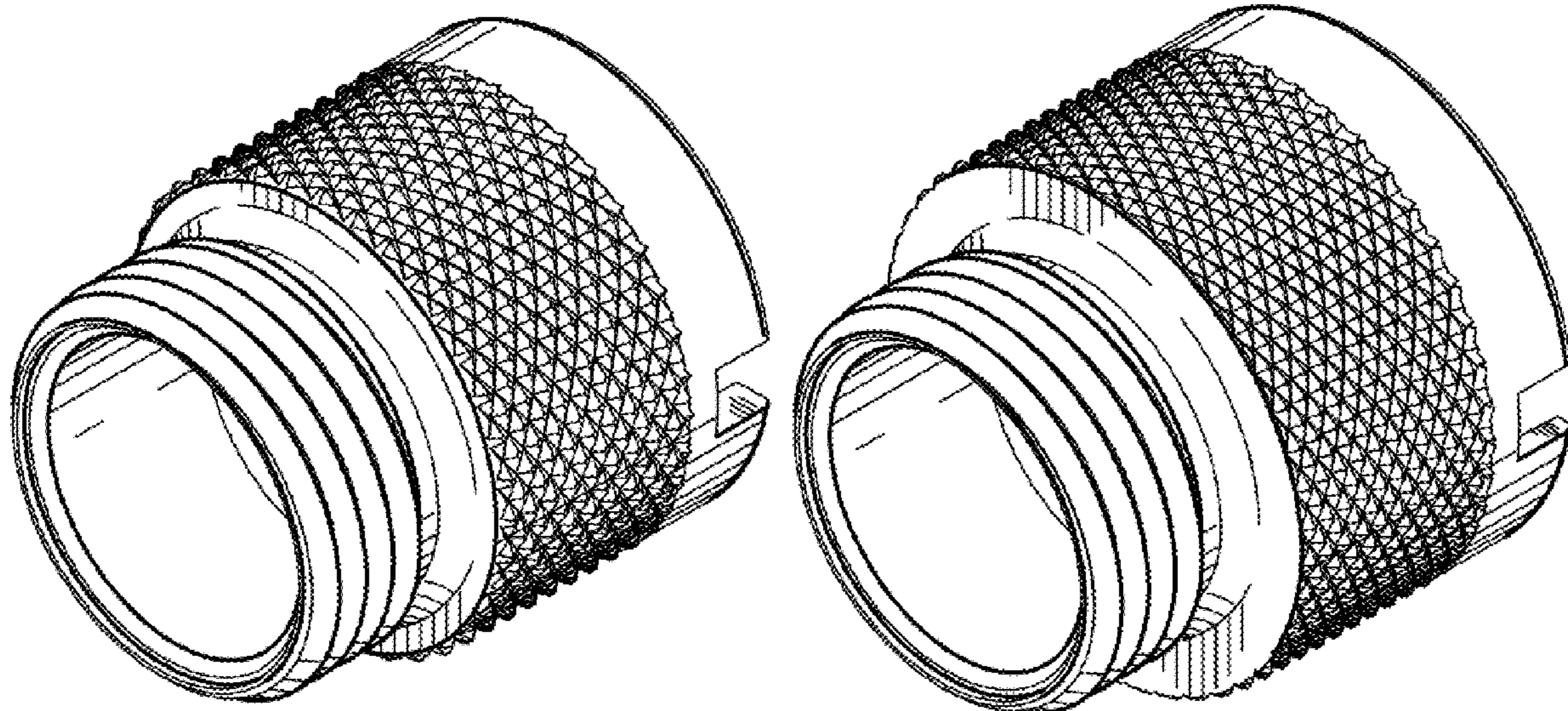
(57) **CLAIM**

An ornamental design for a male hose coupling, as shown and described.

DESCRIPTION

FIG. 1 is a front perspective view of a male hose coupling; FIG. 2 is a side view of a male hose coupling; FIG. 3 is a front view of a male hose coupling; FIG. 4 is a rear view of a male hose coupling; FIG. 5 is a rear perspective view of a male hose coupling; FIG. 6 is a front perspective view of a male hose coupling of a second embodiment; FIG. 7 is a side view of a male hose coupling shown in FIG. 6; FIG. 8 is a front view of a male hose coupling shown in FIG. 6; FIG. 9 is a rear view of a male hose coupling shown in FIG. 6; and, FIG. 10 is a rear perspective view of a male hose coupling shown in FIG. 6.

1 Claim, 2 Drawing Sheets



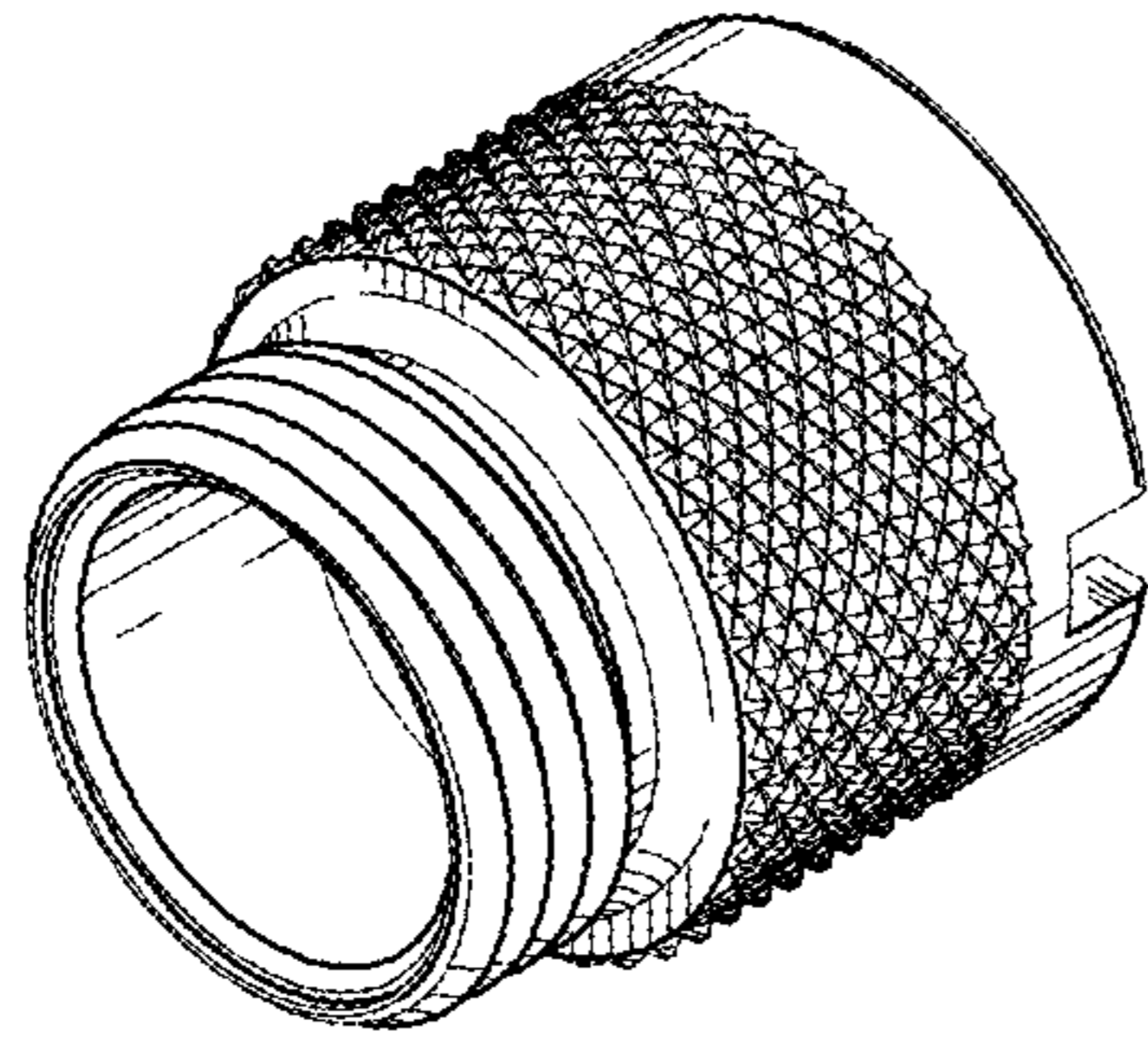


FIG. 1

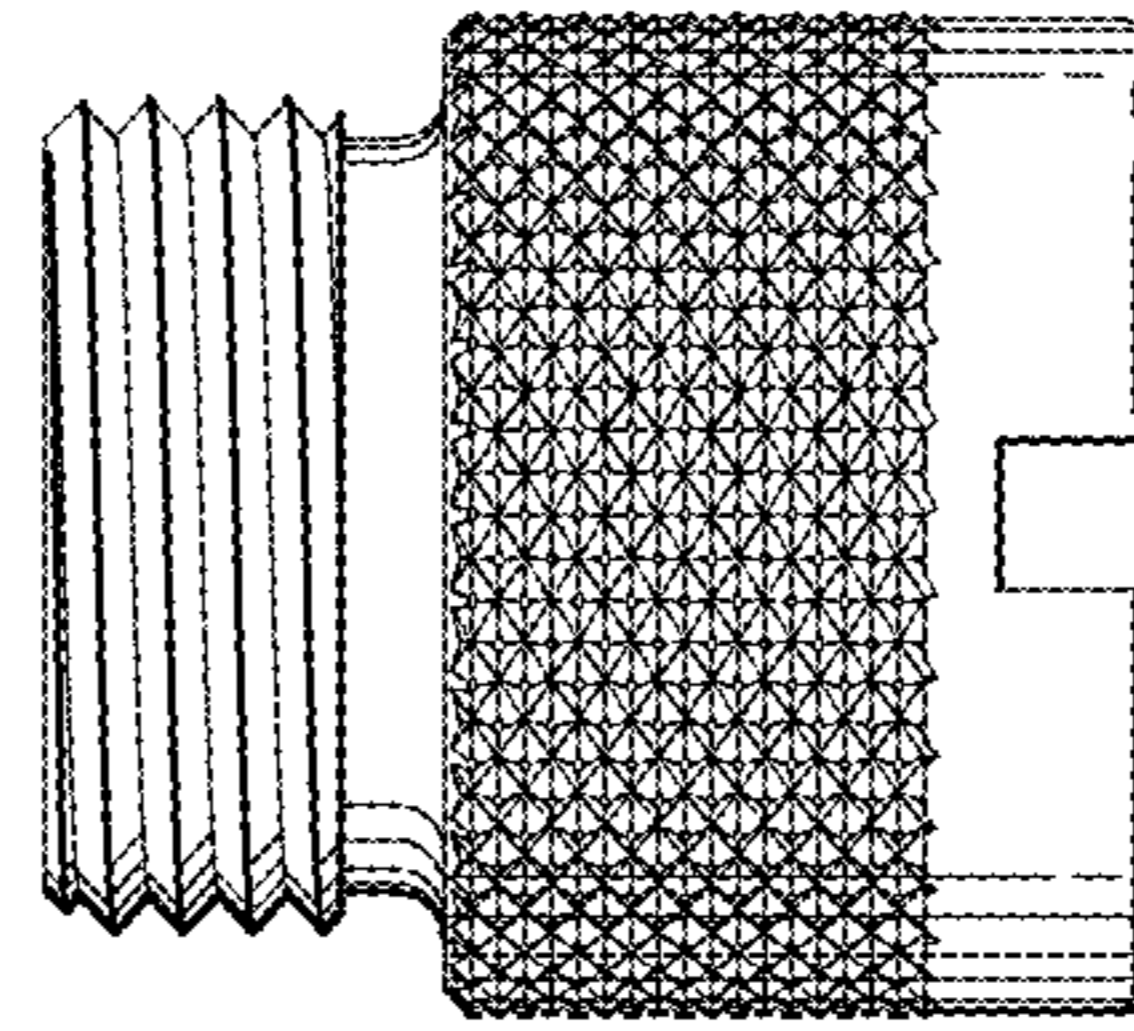


FIG. 2

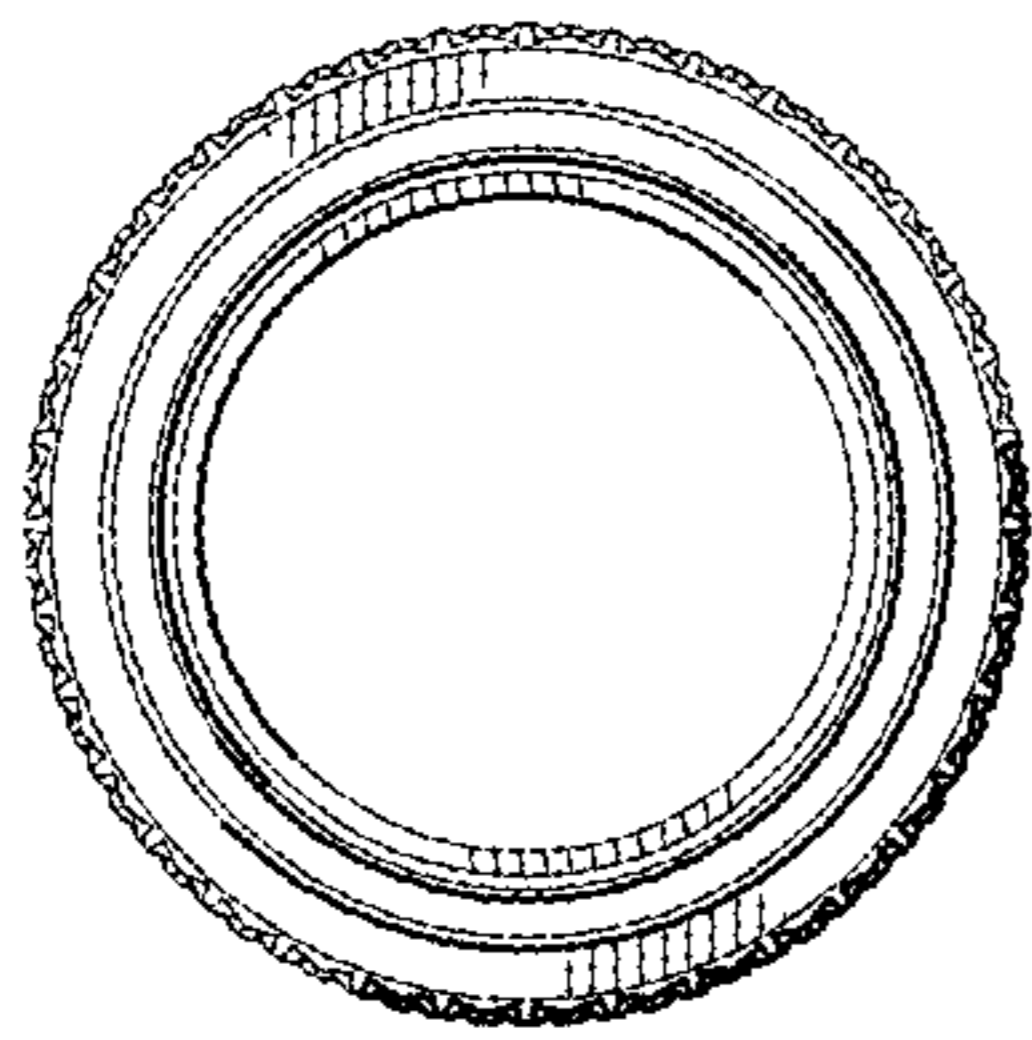


FIG. 3

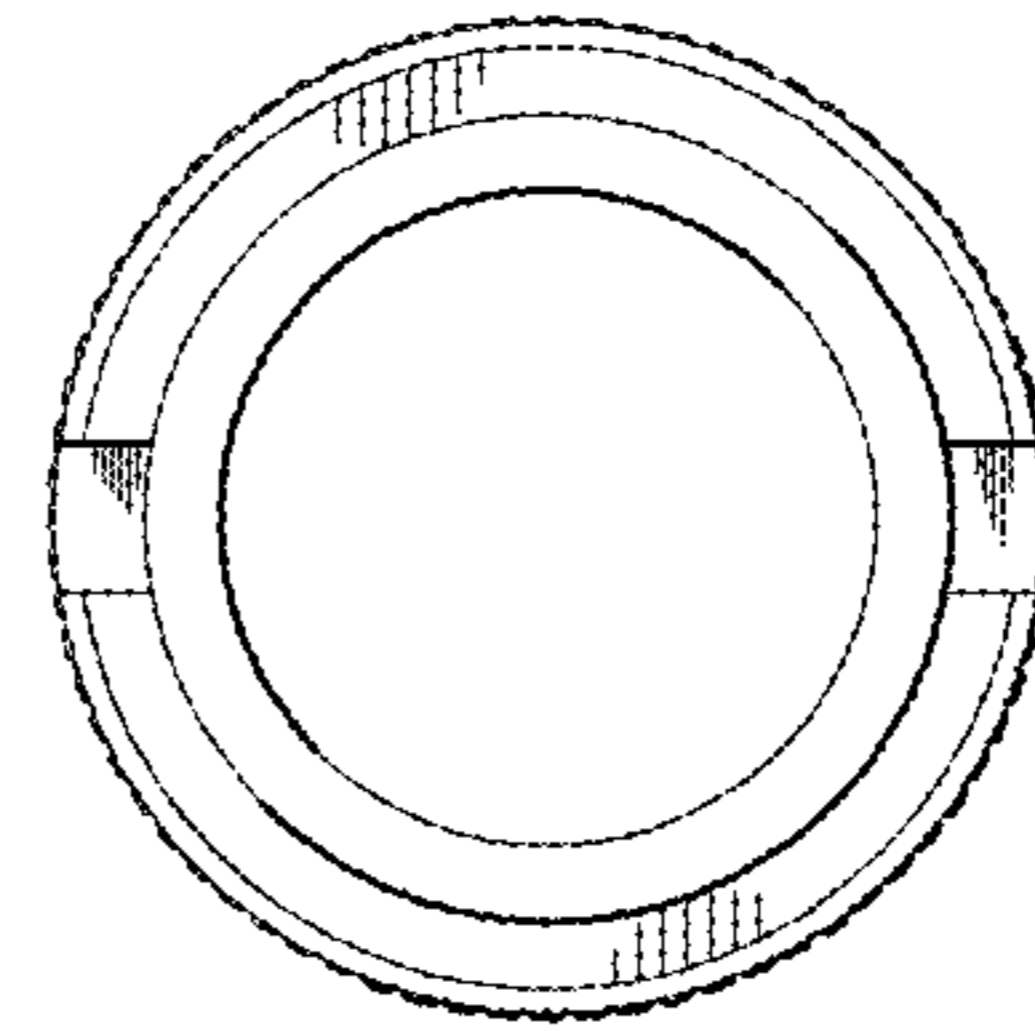


FIG. 4

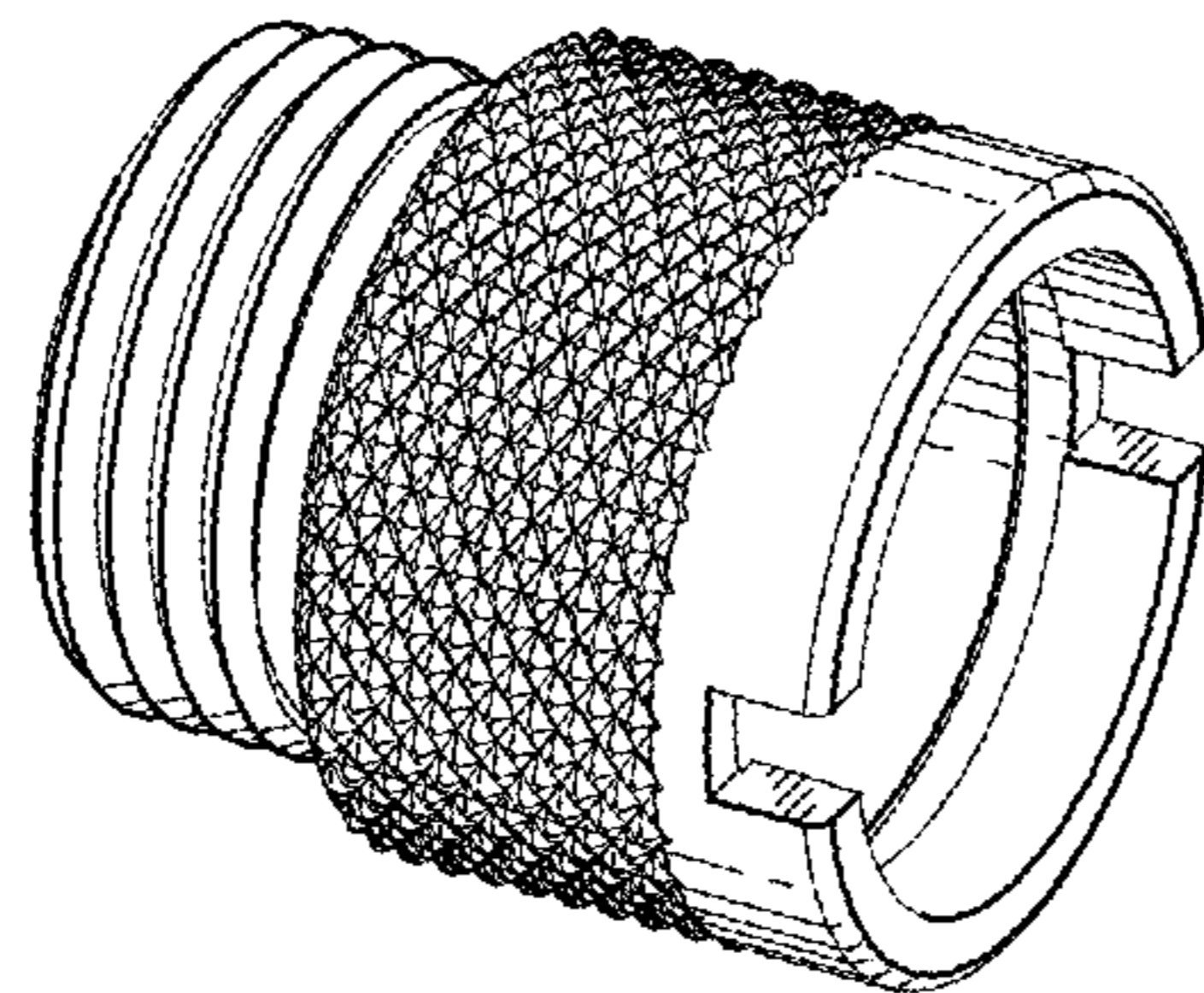


FIG. 5

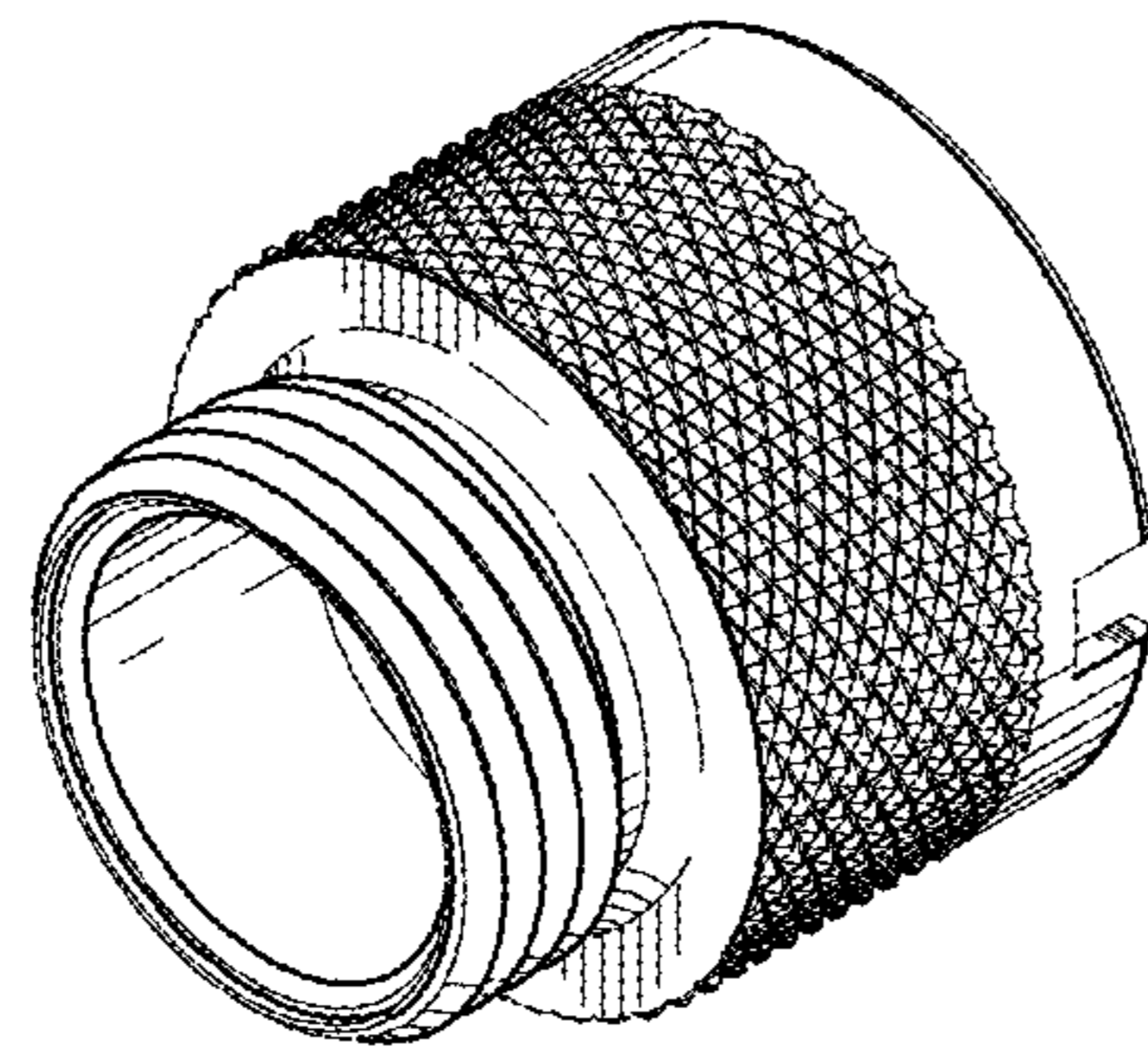


FIG. 6

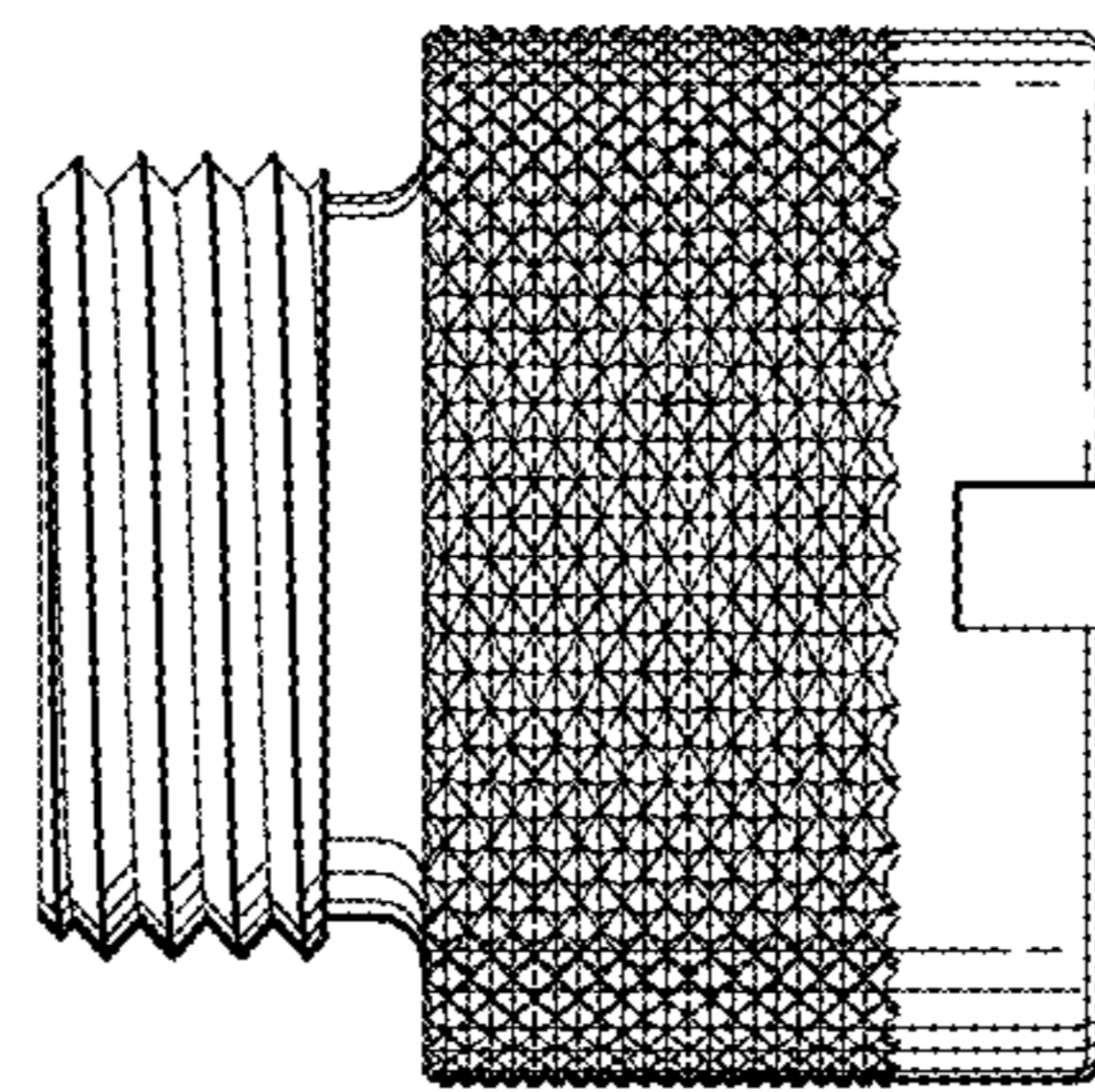


FIG. 7

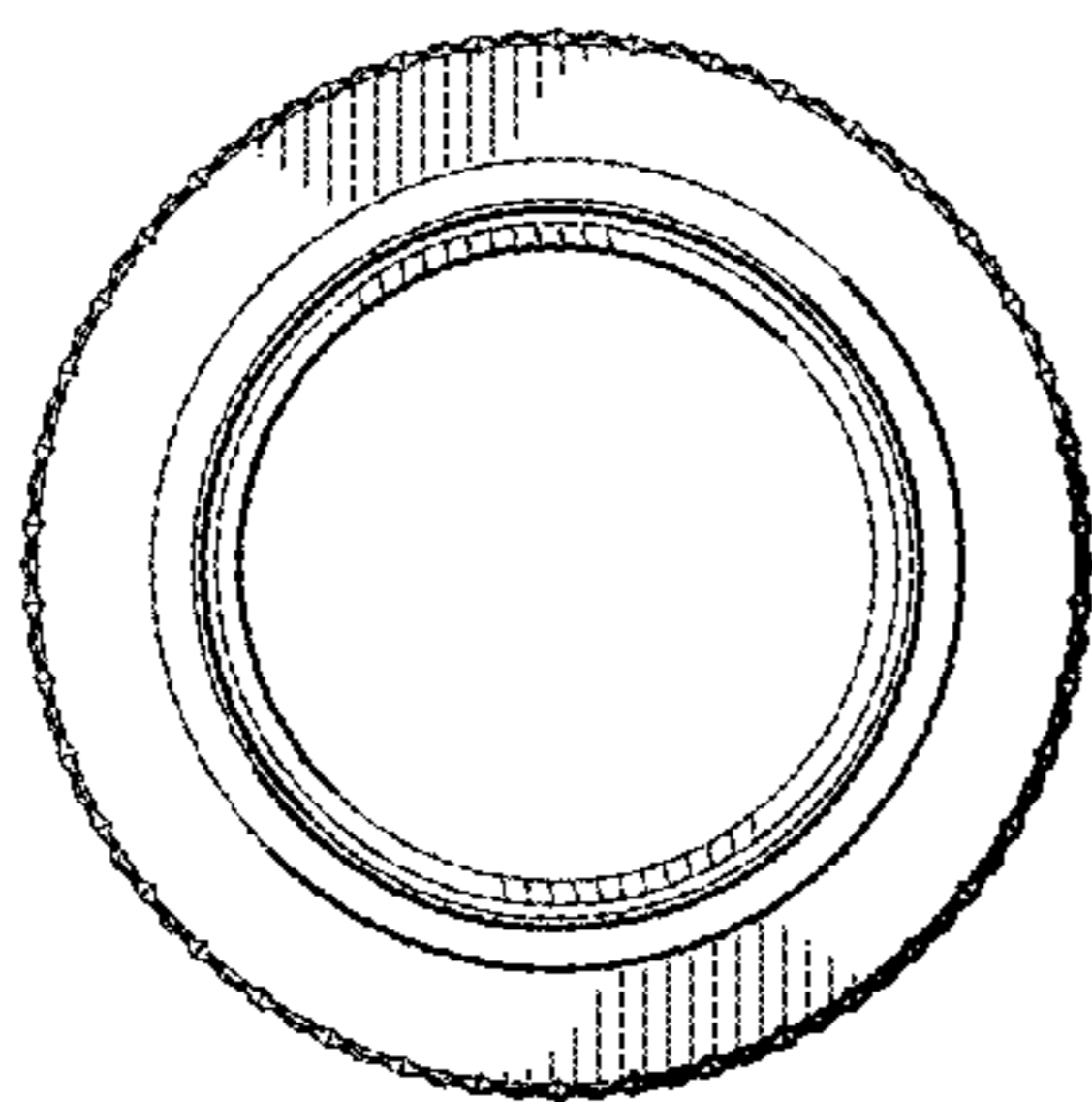


FIG. 8

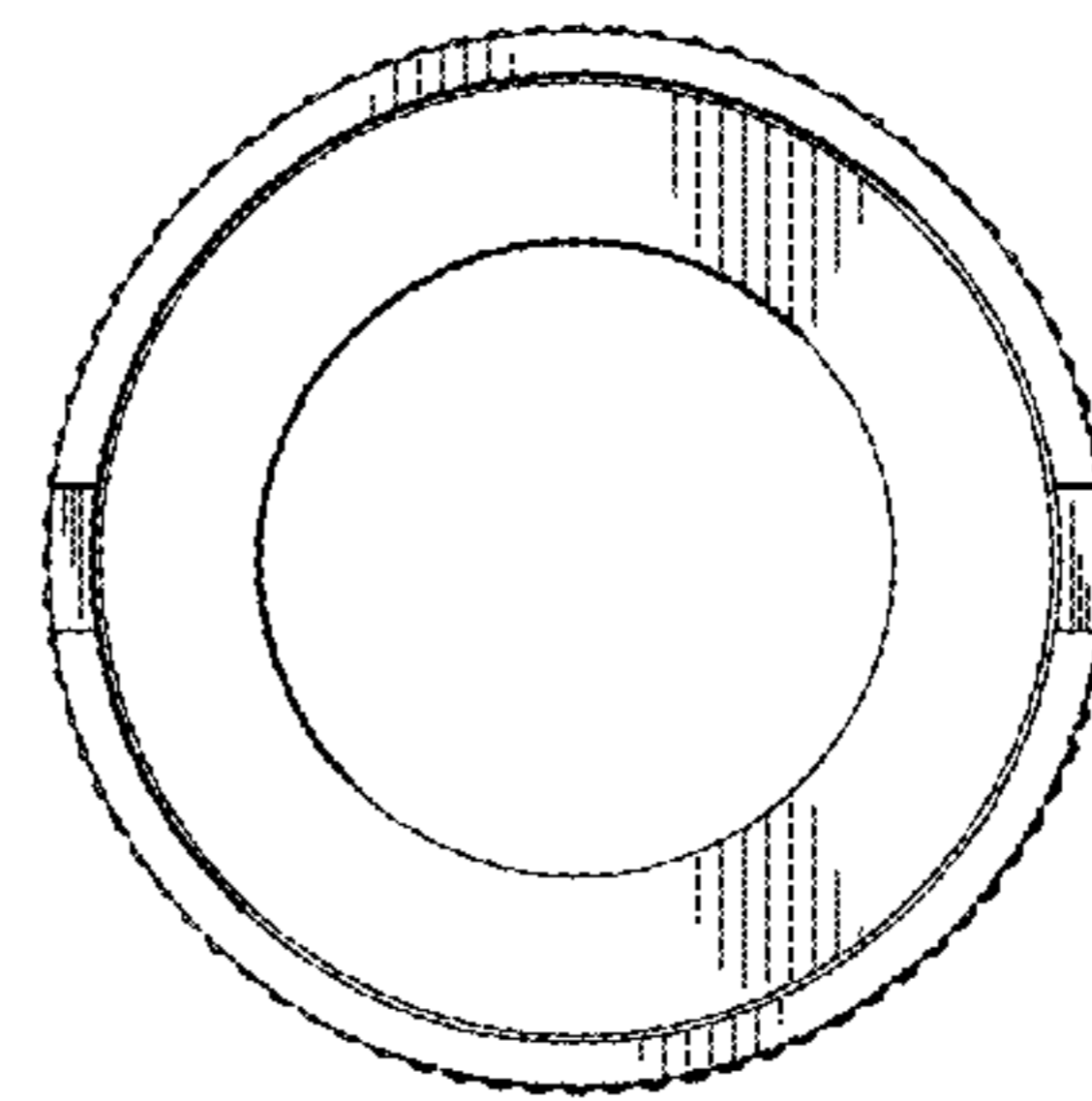


FIG. 9

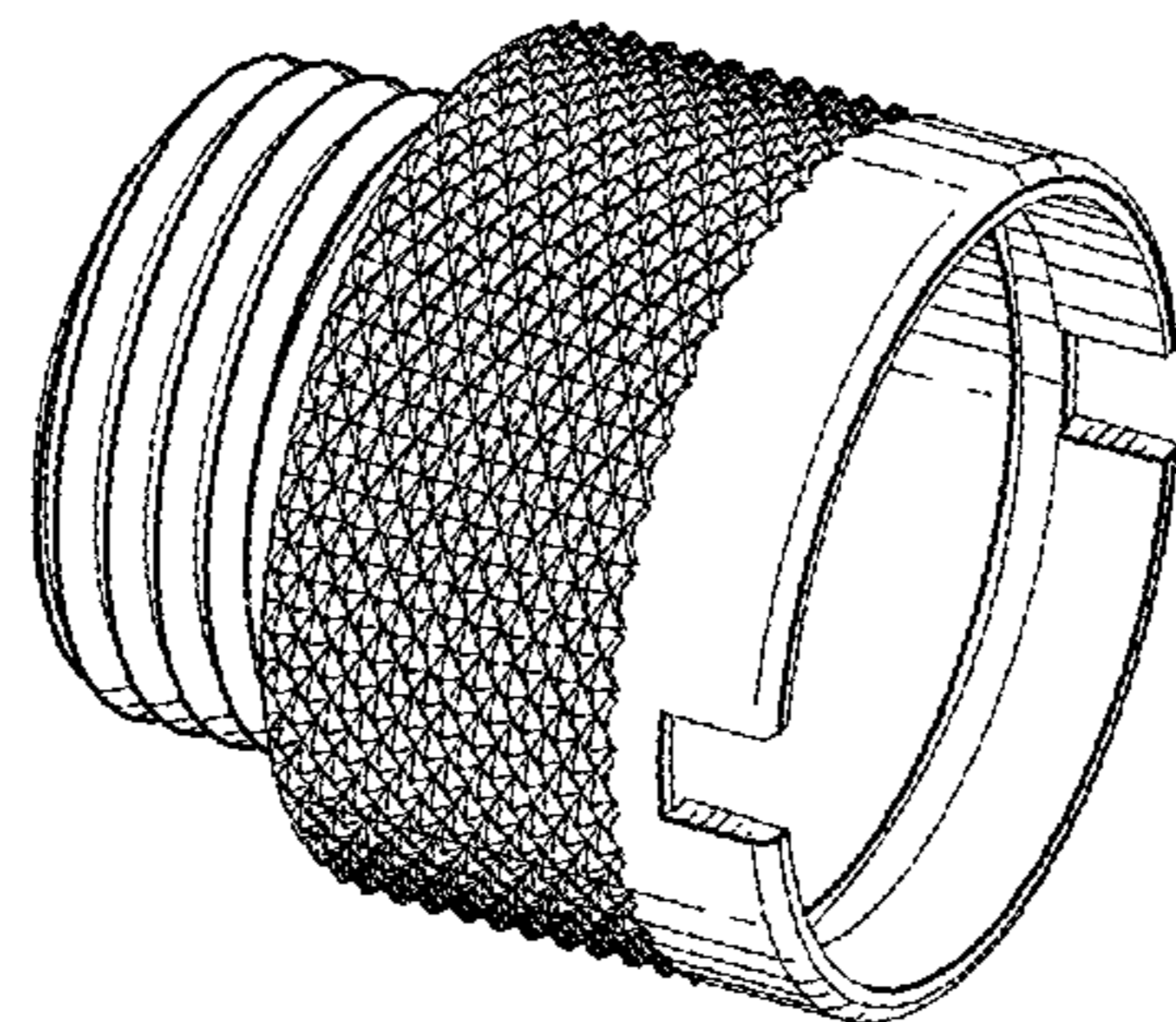


FIG. 10