



US00D873975S

(12) **United States Design Patent**
Chen

(10) **Patent No.:** **US D873,975 S**
(45) **Date of Patent:** **** Jan. 28, 2020**

(54) **STRAINER**

(71) Applicant: **shen zhen shi zhi guang dian zi you xian gong si**, Shen Zhen Shi (CN)

(72) Inventor: **Ziyong Chen**, Shen Zhen Shi (CN)

(73) Assignee: **shen zhen shi zhi guang dian zi you xian gong si**, Shen Zhen Shi (CN)

(**) Term: **15 Years**

(21) Appl. No.: **29/692,256**

(22) Filed: **May 23, 2019**

Related U.S. Application Data

(63) Continuation-in-part of application No. 29/629,549, filed on Dec. 13, 2017.

(51) **LOC (12) Cl.** **23-01**

(52) **U.S. Cl.**
USPC **D23/261**

(58) **Field of Classification Search**
USPC D23/208–210, 259–261; 4/286–287,
4/292–293, 295, 680–682, 689, 693;
210/155–159, 174
See application file for complete search history.

(56) **References Cited**

U.S. PATENT DOCUMENTS

- 2,285,833 A * 6/1942 Platt E03C 1/264
210/238
- 2,337,331 A * 12/1943 Kirschner E03C 1/262
4/287
- D246,109 S * 10/1977 Rosaen D23/209
- D357,306 S * 4/1995 Lenox D23/260
- 7,802,739 B2 * 9/2010 Scorvo E03C 1/266
241/21
- 8,499,376 B2 * 8/2013 Kyung E03C 1/2306
4/287
- D783,134 S * 4/2017 Carnegie D23/261

- D783,782 S 4/2017 Scott et al.
- D785,767 S * 5/2017 Carnegie E03C 1/264
D23/261
- D794,759 S 8/2017 Carnegie et al.
(Continued)

FOREIGN PATENT DOCUMENTS

- CN 302431696 S 5/2013
- KR 300872177 S 9/2016

OTHER PUBLICATIONS

Drain Strain Deluxe Hair Catcher, Amazon, Date First Available Apr. 9, 2017, https://www.amazon.com/dp/B077H2P2S6/ref=sspa_dk_detail_0?psc=1 (Year: 2017).*

(Continued)

Primary Examiner — Amy C Wierenga
(74) *Attorney, Agent, or Firm* — Erickson Kernell IP, LLC; Kent R. Erickson

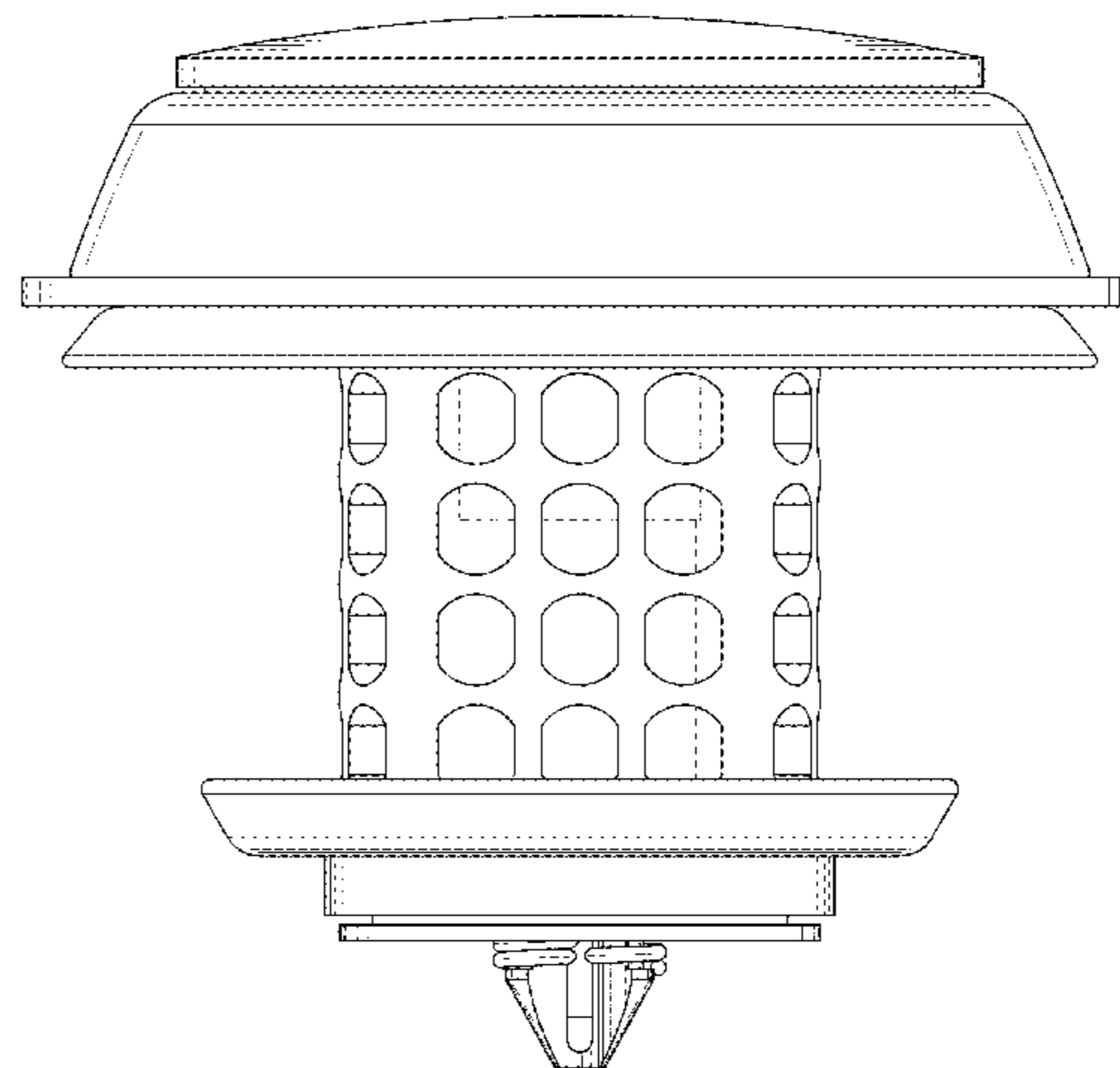
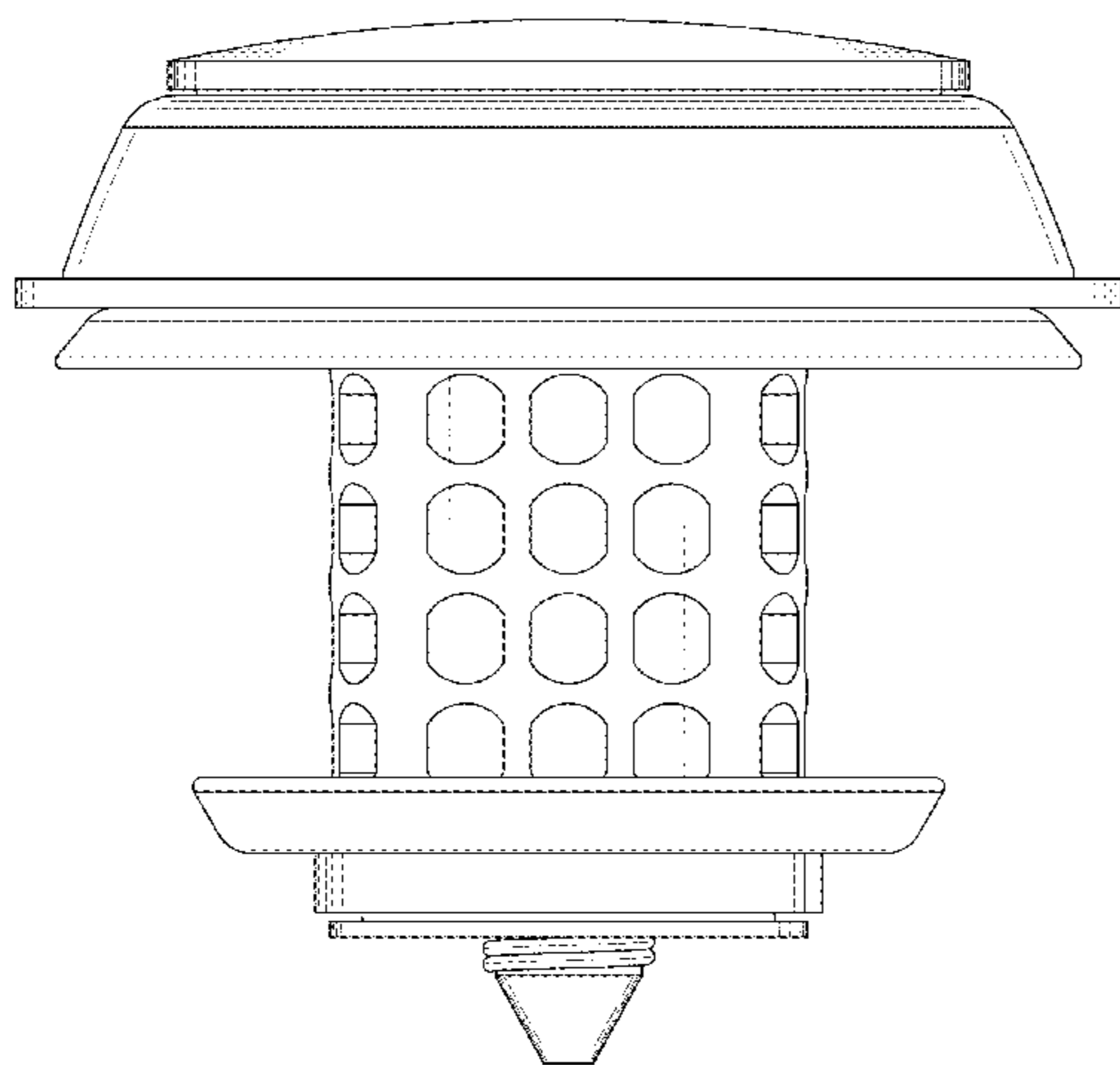
(57) **CLAIM**

I claim the ornamental design for a strainer, as shown and described.

DESCRIPTION

FIG. 1 is a front view of a strainer showing my new design; FIG. 2 is a rear view thereof; FIG. 3 is a left-side view thereof; FIG. 4 is a right-side view thereof; FIG. 5 is a top view thereof; FIG. 6 is a bottom view thereof; FIG. 7 is a front perspective view thereof; and, FIG. 8 is a bottom perspective view thereof. The broken lines shown in the drawings illustrate portions of the strainer that form no part of the claim.

1 Claim, 8 Drawing Sheets



(56)

References Cited

U.S. PATENT DOCUMENTS

D814,611 S * 4/2018 Karnegie D23/261
 D827,787 S * 9/2018 Karnegie D23/261
 D827,788 S * 9/2018 Karnegie D23/261
 D828,523 S * 9/2018 Karnegie D23/261
 D832,408 S 10/2018 St-Antoine
 D836,756 S 12/2018 Myers, II
 D841,133 S * 2/2019 Karnegie D23/261
 10,301,803 B2 * 5/2019 Beck E03C 1/2306
 2004/0073992 A1 * 4/2004 Saman E03C 1/262
 4/287
 2004/0255378 A1 * 12/2004 Tracy E03C 1/23
 4/689
 2010/0071122 A1 * 3/2010 Li E03C 1/262
 4/287
 2012/0060275 A1 * 3/2012 Cheng E03C 1/2306
 4/689
 2016/0130793 A1 * 5/2016 Lesmeister E03C 1/264
 4/287

2016/0251839 A1 * 9/2016 Ali E03C 1/262
 4/287
 2017/0073949 A1 * 3/2017 Karnegie E03C 1/264
 2017/0314244 A1 * 11/2017 Beck E03C 1/2306
 2018/0106025 A1 * 4/2018 Schuster E03C 1/262

OTHER PUBLICATIONS

Drain Strain Clog Preventing Strainer, Date First Available 2017,
https://www.amazon.com/dp/B07527WV9N/ref=sspa_dk_detail_3?psc=1&pd_rd_i=B07527WV9N&pd_rd_w=oDabG&pf_rd_p=8a8f3917-7900-4ce8-ad90-adf0d53c0985&pd_rd_wg=SGiOi&pf_rd_r=G7XR7K8658402G0YJ477&pd_rd_r=fb5e1e5b-8bc8-11e9-95f1-0df550726a75 (Year: 2017).*

Ravinte Bathroom Vessel Sink Drain, Pop Up, Amazon, Date First Available Jul. 24, 2018, https://www.amazon.com/dp/B07FVLKQ33/ref=sspa_dk_detail_0?psc=1&pd_rd_i=B07FVLKQ33 (Year: 2018).*

* cited by examiner

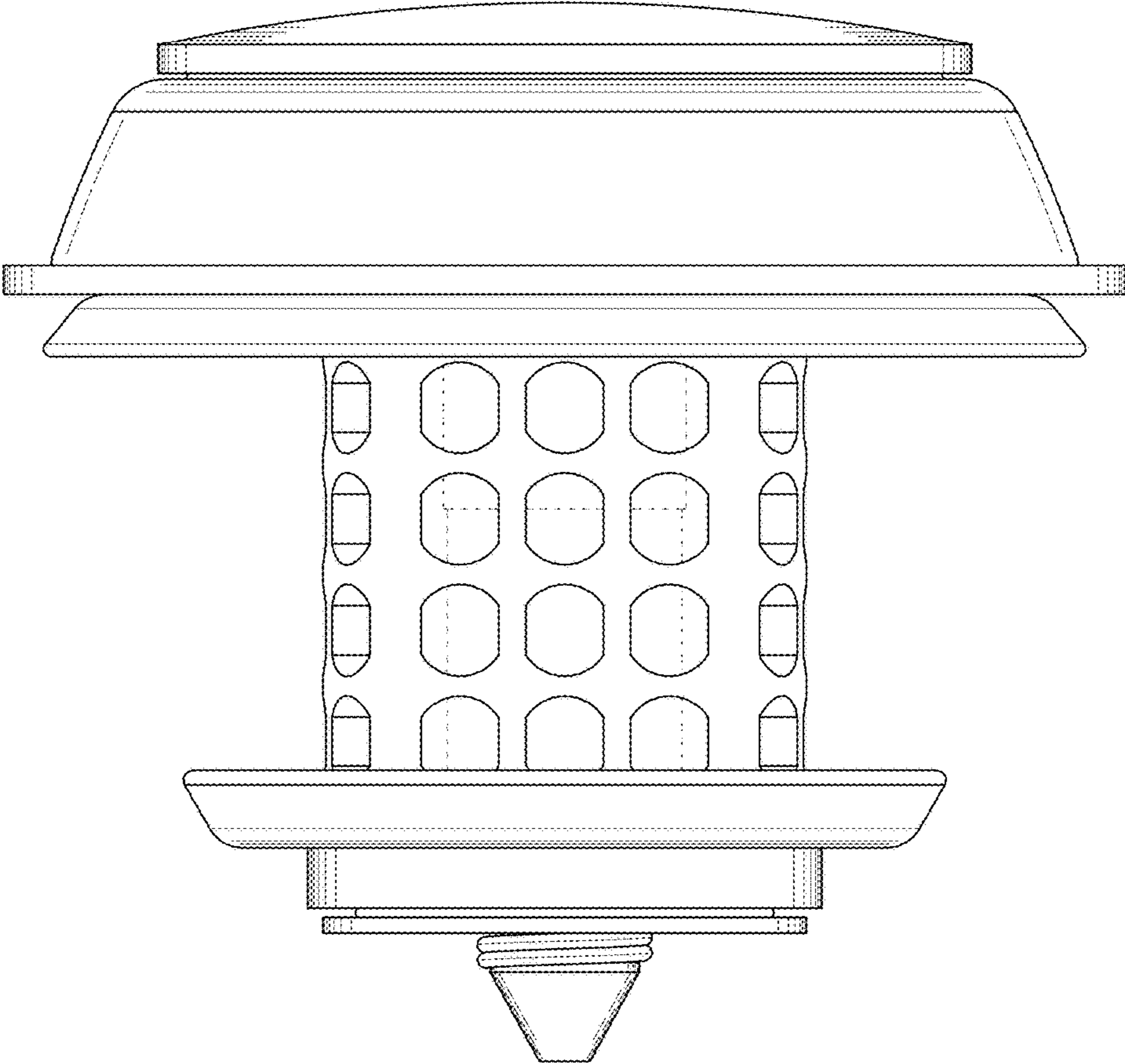


FIG. 1

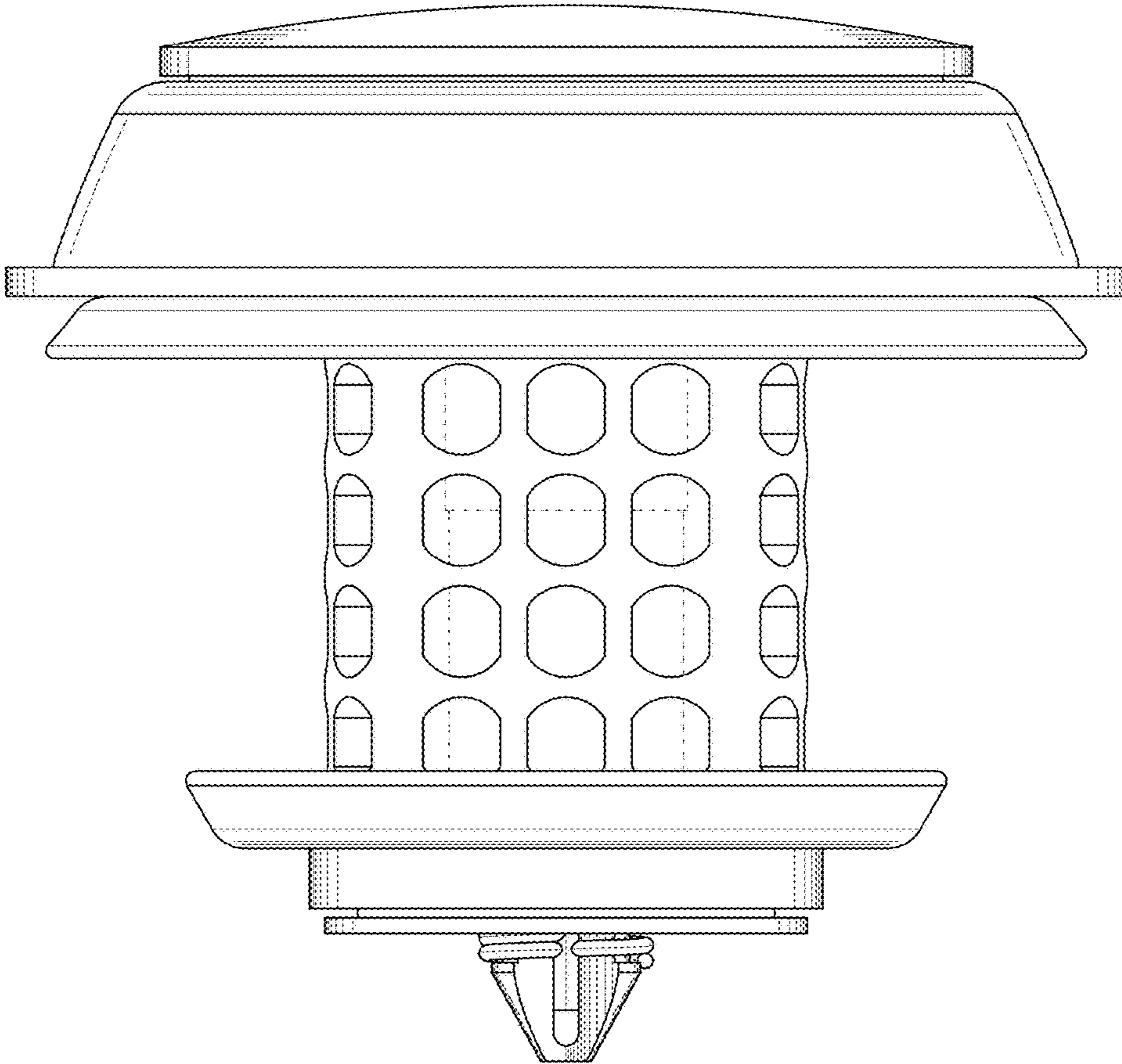


FIG. 2

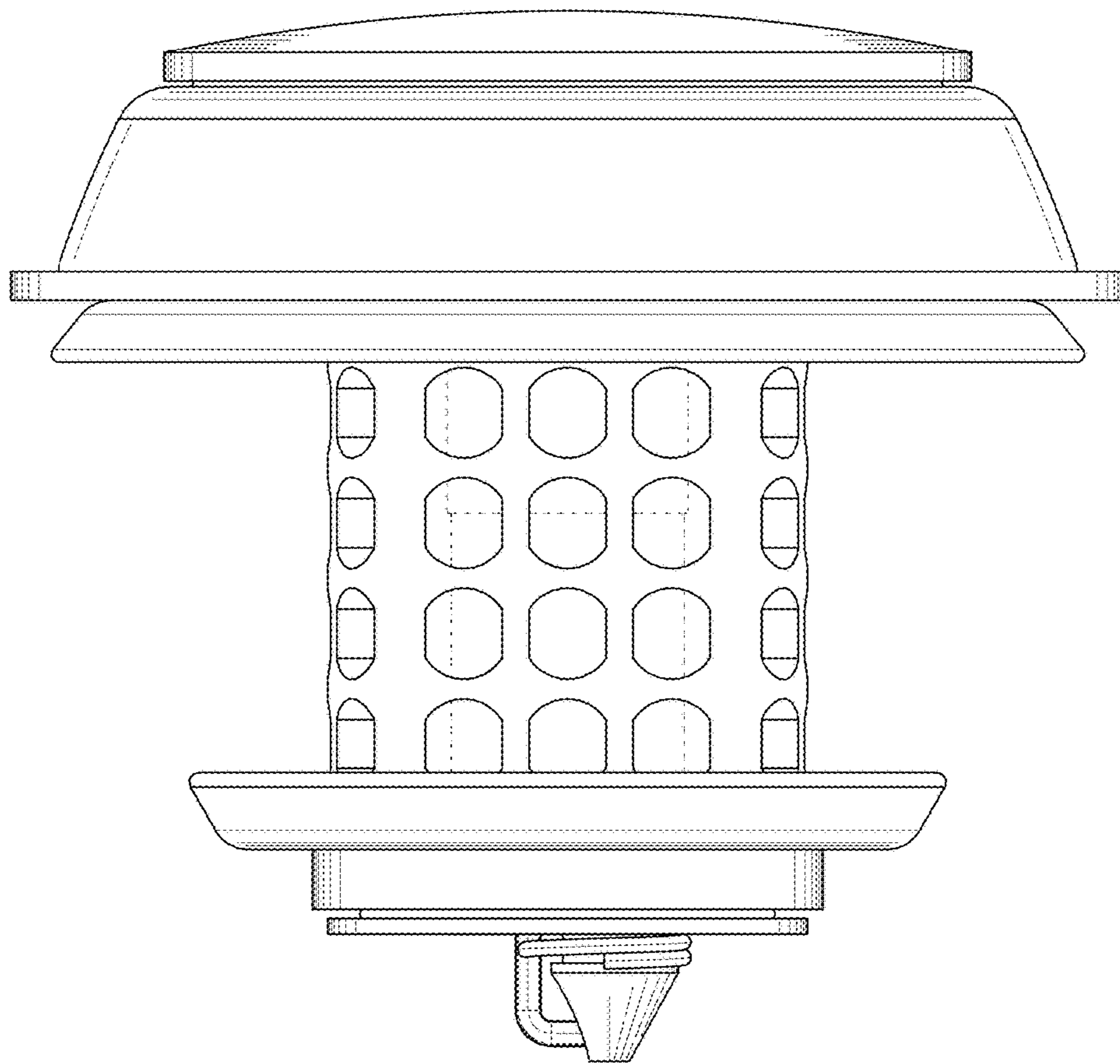


FIG. 3

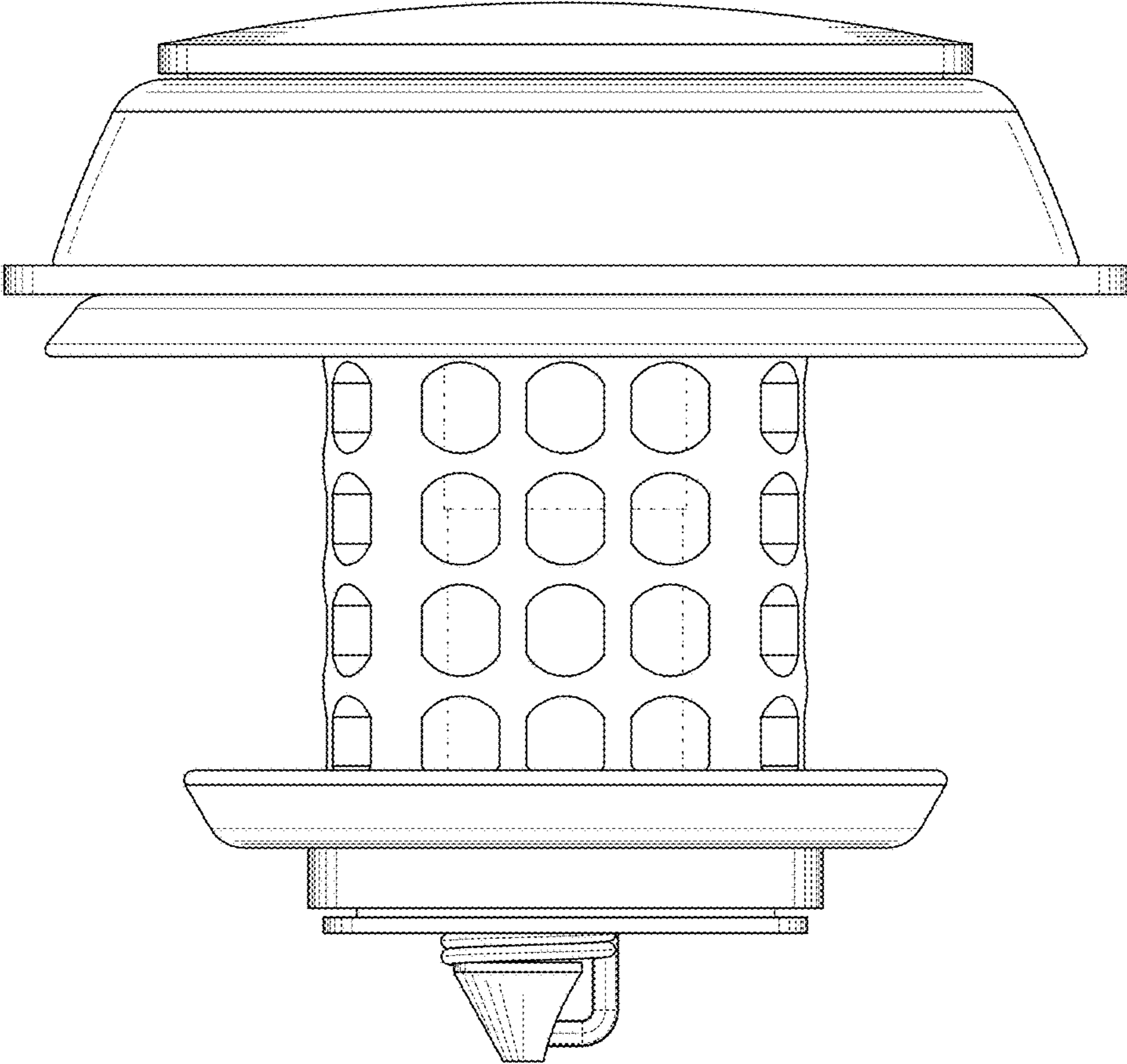


FIG. 4

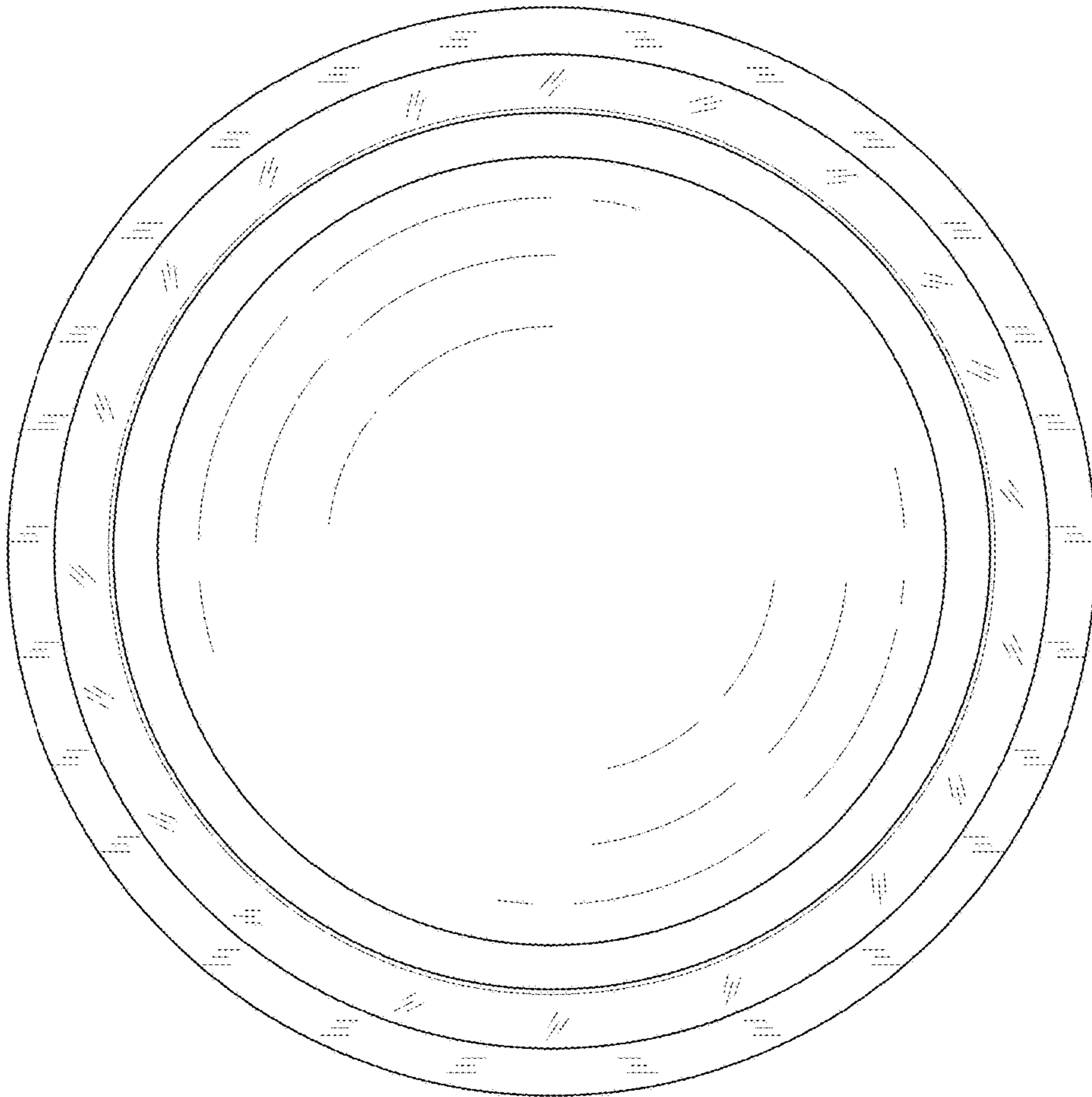


FIG. 5

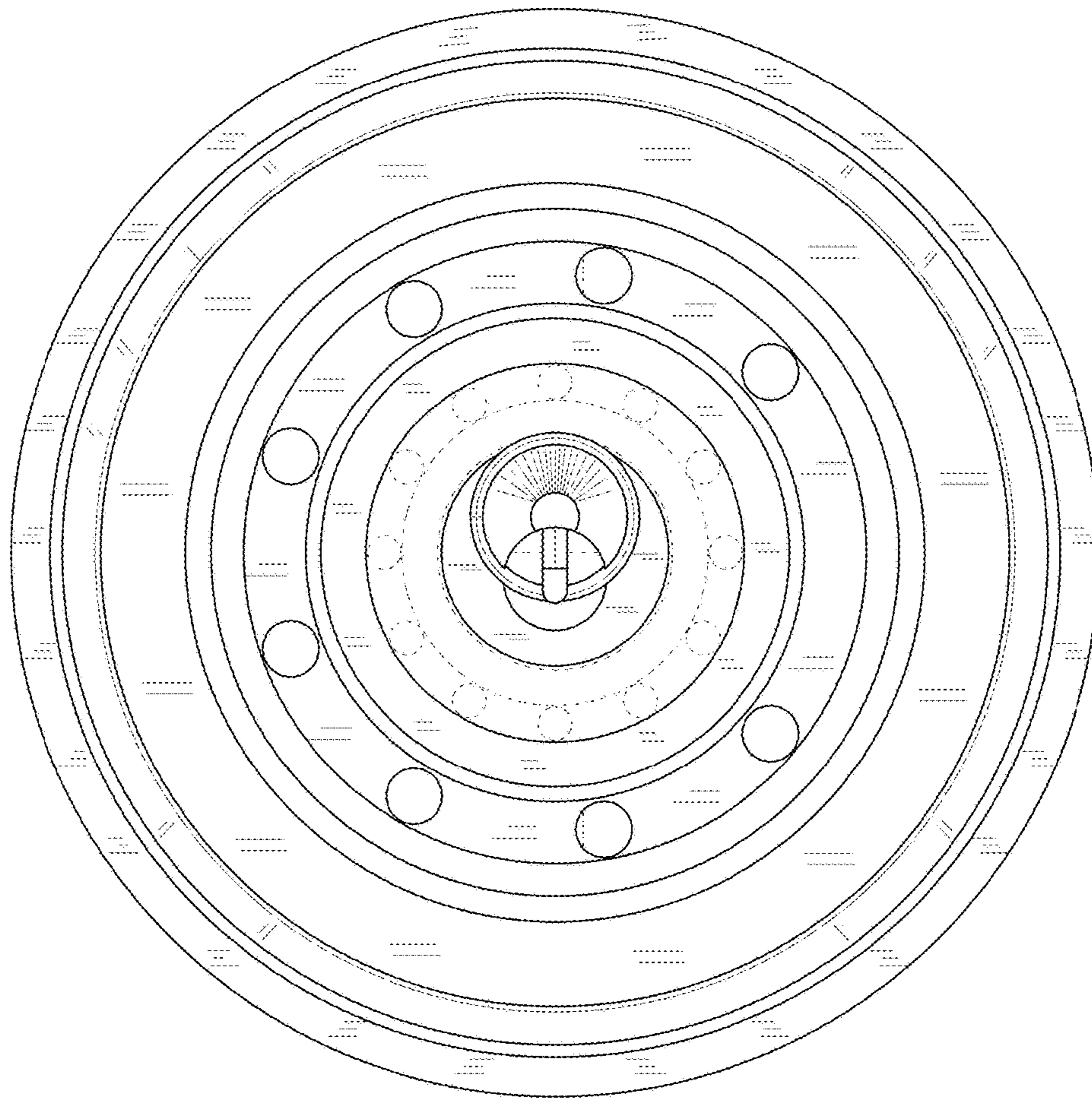


FIG. 6

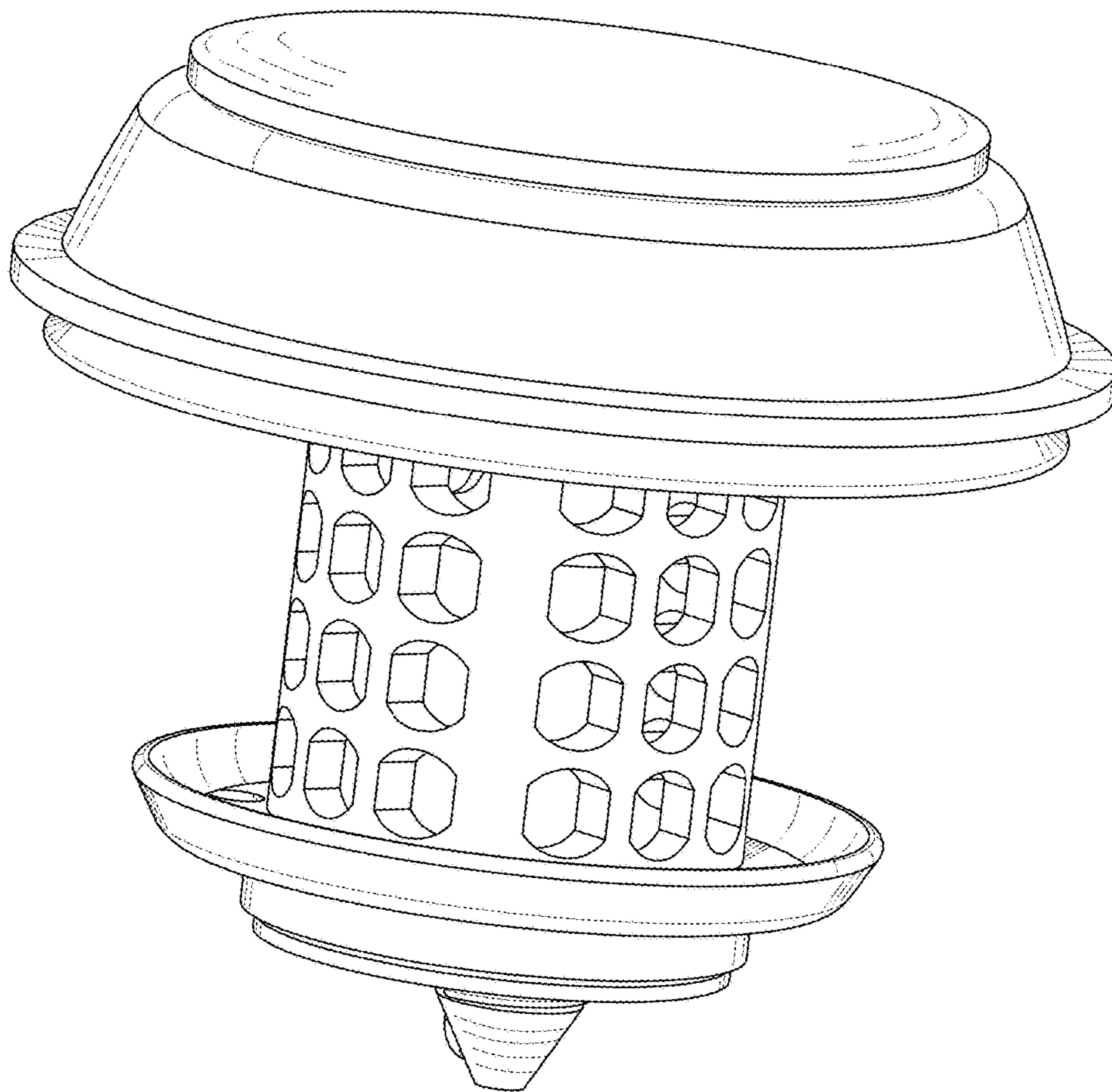


FIG. 7

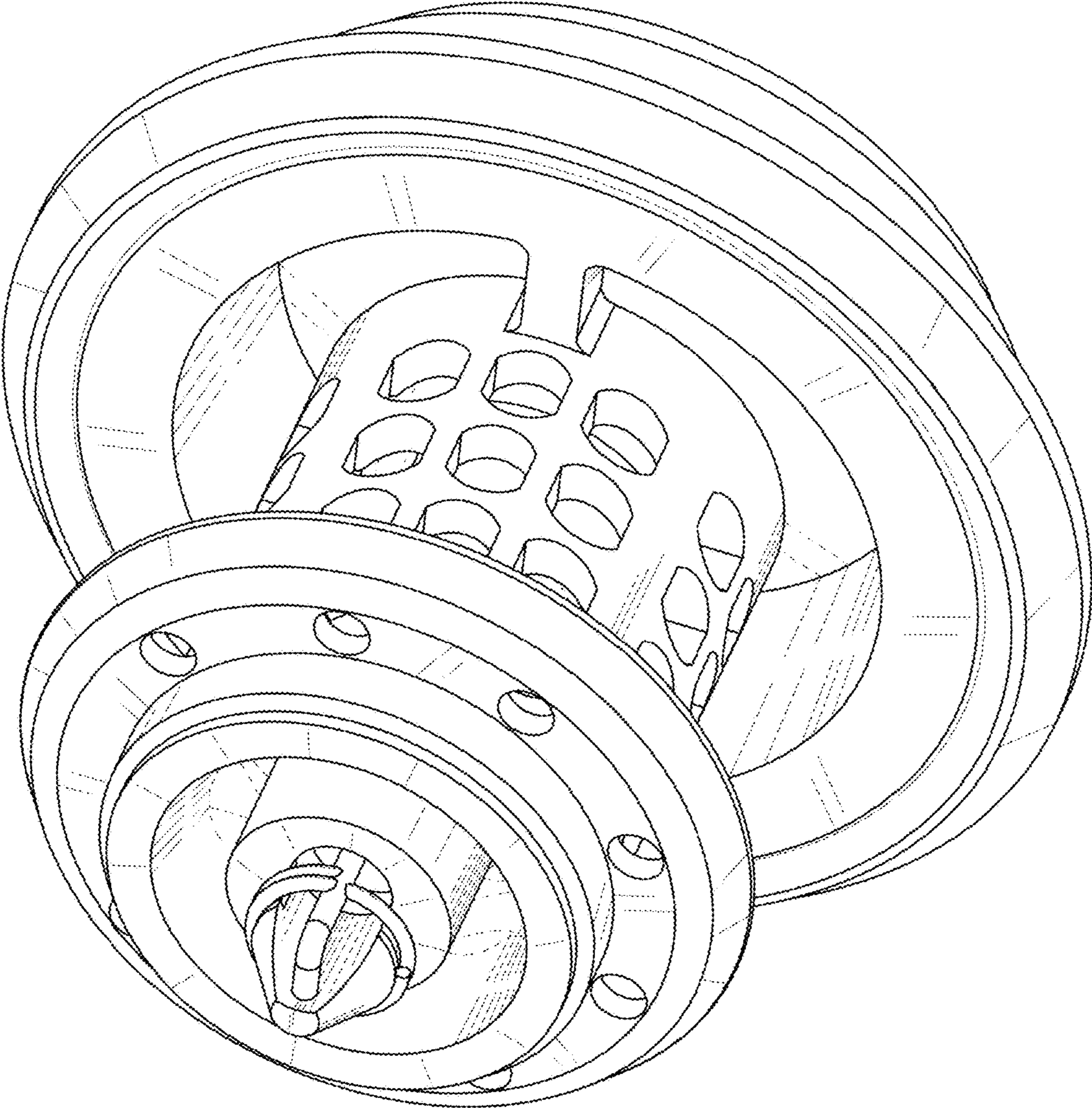


FIG. 8