



US00D873974S

(12) **United States Design Patent**
Helton

(10) **Patent No.:** **US D873,974 S**

(45) **Date of Patent:** **** Jan. 28, 2020**

(54) **DRAIN STRAINER**

(71) Applicant: **Hyunjoo Helton**, Winnetka, CA (US)

(72) Inventor: **Hyunjoo Helton**, Winnetka, CA (US)

(**) Term: **15 Years**

(21) Appl. No.: **29/681,573**

(22) Filed: **Feb. 26, 2019**

Related U.S. Application Data

(63) Continuation-in-part of application No. 29/678,776, filed on Jan. 31, 2019, now Pat. No. Des. 853,534.

(51) **LOC (12) Cl.** **23-01**

(52) **U.S. Cl.**
USPC **D23/261**

(58) **Field of Classification Search**
USPC D23/259–260, 261, 209, 310; 4/178,
4/222.1, 255.01–255.12, 256.1, 286–289,
4/290–295, 309, 490, 507, 652
CPC A47K 1/14
See application file for complete search history.

(56) **References Cited**

U.S. PATENT DOCUMENTS

2,121,220	A *	6/1938	Filkins	E04D 13/0409	210/166
2,690,569	A	10/1954	Kozerski			
2,740,490	A *	4/1956	Matheis	E04D 13/0409	210/166
D183,609	S *	9/1958	Higgins	D23/260	
3,972,078	A	8/1976	Maki			
4,418,432	A	12/1983	Vidal			
4,425,285	A *	1/1984	Shimoi	B01J 19/30	202/158
4,490,862	A	1/1985	Vidal			
D299,522	S	1/1989	Chalberg			
D351,898	S	10/1994	Stowers			
6,487,729	B2	12/2002	Delanzo			

7,178,179 B2 * 2/2007 Barnes A61H 33/6073
4/292

D550,819 S 9/2007 Seehoff
D576,714 S 9/2008 Florence
D591,823 S * 5/2009 Stolarik D23/207
D604,809 S 11/2009 Mannella

(Continued)

OTHER PUBLICATIONS

Tub Ring The Ultimate Drain Protector; Kickstarter; <https://www.kickstarter.com/projects/mytubring/tubringtm-for-a-clog-free-bath-shower-and-more/comments> Earliest Dated Comment Jun. 2019, [Visited Online Aug. 5, 2019] (Year: 2019).*

(Continued)

Primary Examiner — Amy C Wierenga

(74) *Attorney, Agent, or Firm* — Quickpatents, LLC; Kevin Prince

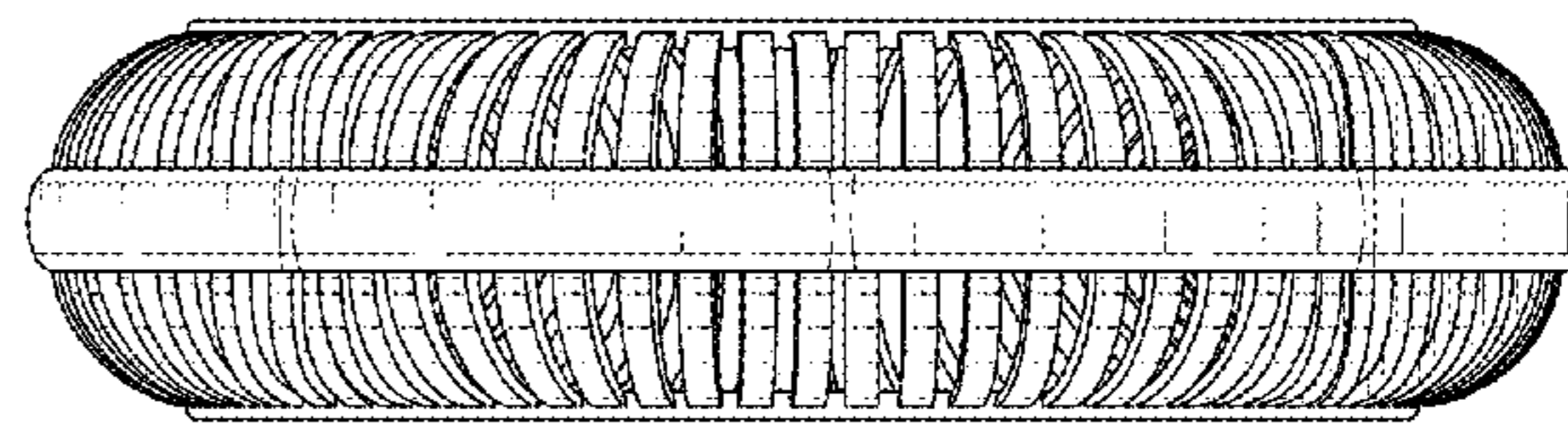
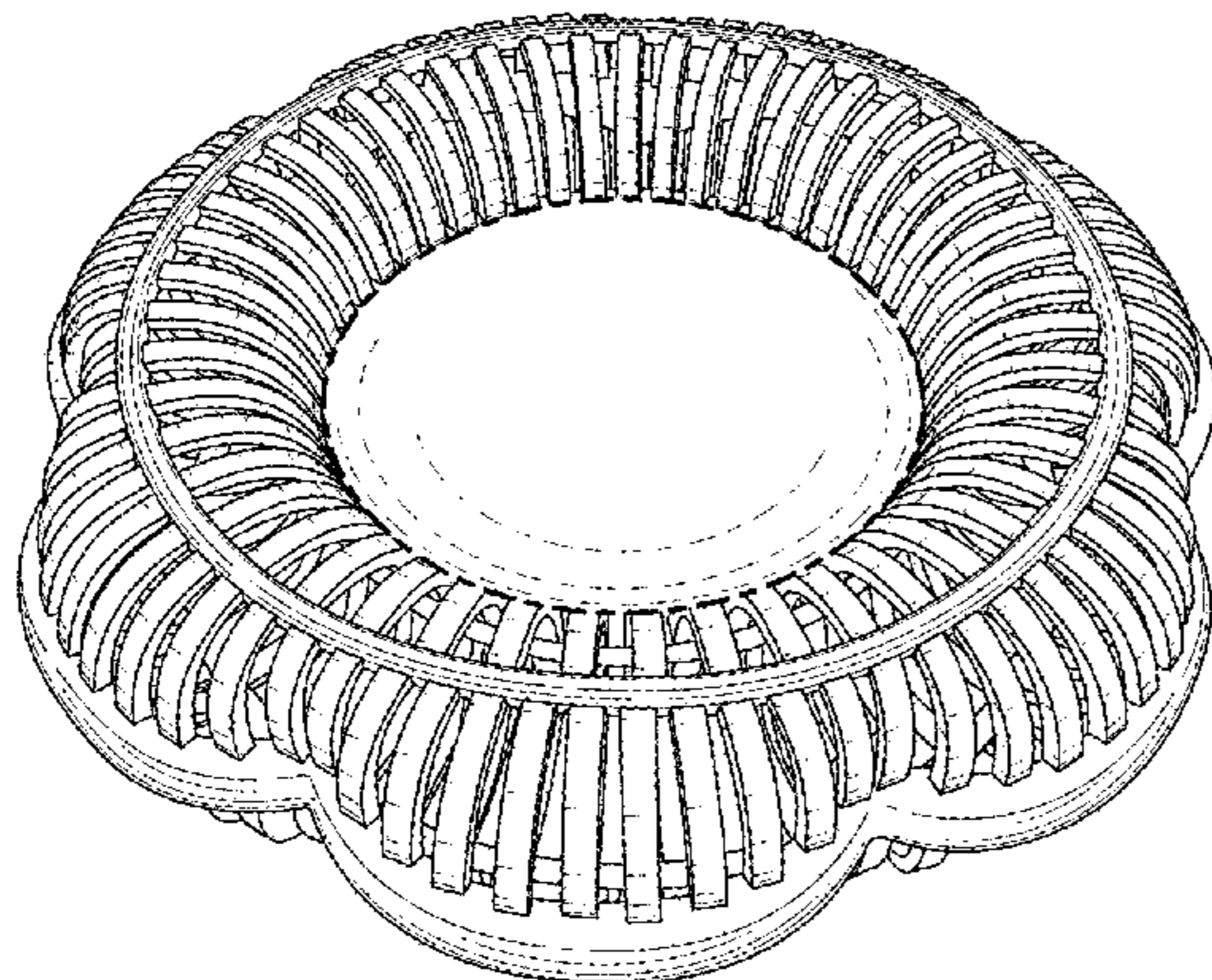
(57) **CLAIM**

The ornamental design for a drain strainer, as shown and described.

DESCRIPTION

FIG. 1 is a perspective view of a drain strainer shown in a position of use, showing my new design; FIG. 2 is another perspective view of a drain strainer thereof; FIG. 3 is a top plan view thereof; FIG. 4 is a bottom plan view thereof; FIG. 5 is a cross-sectional perspective view thereof, taken along line 5-5 of FIG. 3; FIG. 6 is a front elevational view thereof; FIG. 7 is a rear elevational view thereof; FIG. 8 is a left-side elevational view thereof; and, FIG. 9 is a right-side elevational view thereof. The broken lines showing a bathtub drain in FIGS. 1 and 2 depict environmental matter and form no part of the claimed design.

1 Claim, 7 Drawing Sheets



(56)

References Cited

U.S. PATENT DOCUMENTS

D605,733 S 12/2009 Cavalieri
 D621,009 S * 8/2010 Mjelde D23/261
 7,820,041 B2 * 10/2010 Hilton E04H 4/1236
 210/163
 D629,875 S 12/2010 Sears
 D630,306 S * 1/2011 Seehoff D23/261
 D670,363 S * 11/2012 Yousufzai D23/261
 D673,246 S * 12/2012 Lee D23/260
 D691,245 S 10/2013 Ho
 D700,299 S 2/2014 Mjelde
 D702,326 S 4/2014 Dannrup
 D702,327 S 4/2014 Dannrup
 D718,844 S 12/2014 Johansen
 D730,493 S 5/2015 Sehl
 D746,417 S 12/2015 Guterman
 D754,829 S 4/2016 Krombein
 D784,771 S 4/2017 Goodman
 D785,767 S 5/2017 Carnegie
 D792,562 S 7/2017 Ali
 D794,759 S 8/2017 Carnegie
 D803,992 S 11/2017 Huber
 D814,611 S 4/2018 Carnegie
 D827,787 S 9/2018 Carnegie
 D827,788 S 9/2018 Carnegie

D828,523 S 9/2018 Carnegie
 D829,306 S 9/2018 Ikedo
 D831,171 S 10/2018 Schluter
 D832,406 S 10/2018 Huber
 D832,407 S 10/2018 Carnegie
 D832,408 S 10/2018 St-Antoine
 D833,584 S 11/2018 Levi
 D834,685 S 11/2018 Gerger
 D853,534 S * 7/2019 Helton D23/261
 2006/0015997 A1 1/2006 Barnes
 2008/0307573 A1 12/2008 Ho
 2013/0152298 A1 * 6/2013 Lyristakis E04H 4/06
 4/507
 2018/0274218 A1 9/2018 Carnegie

OTHER PUBLICATIONS

Tub Ring Pre-Order; Kickstarter; <https://app.crowdox.com/get/tubring-ultimate-drain-protection-under/128366>; Copyright 2019; [Visited Online Aug. 5, 2019] (Year: 2019).*
 The Ultimate Hair Catcher & Drain Strainer Debuts at Kickstarter; Online article at IssueWire; <https://www.issuewire.com/the-ultimate-hair-catcher-and-drain-strainer-debuts-at-kickstarter-1636598130921876>. Publish Date Jun. 17, 2019; [Visited Online Aug. 5, 2019] (Year: 2019).*

* cited by examiner

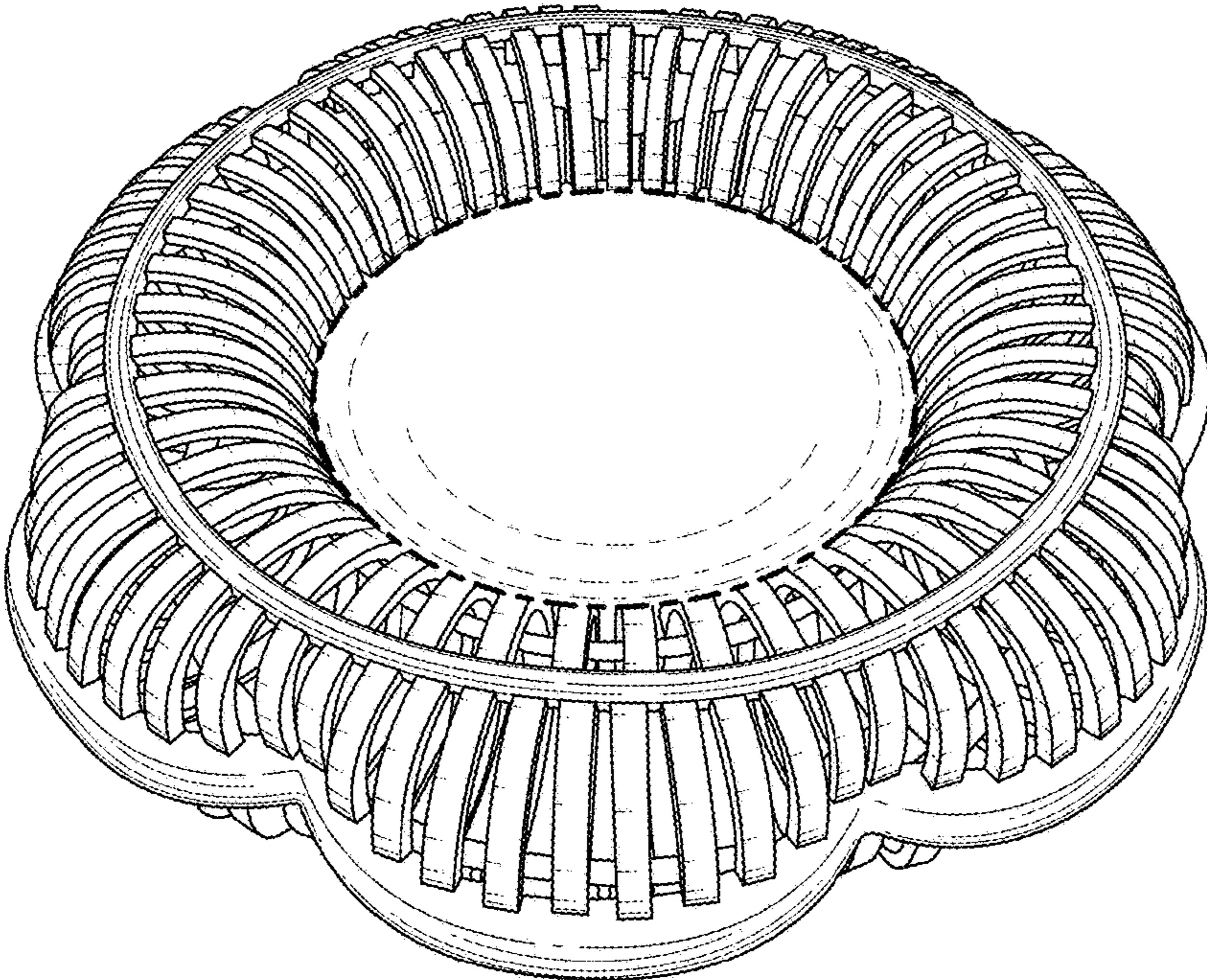


FIG. 1

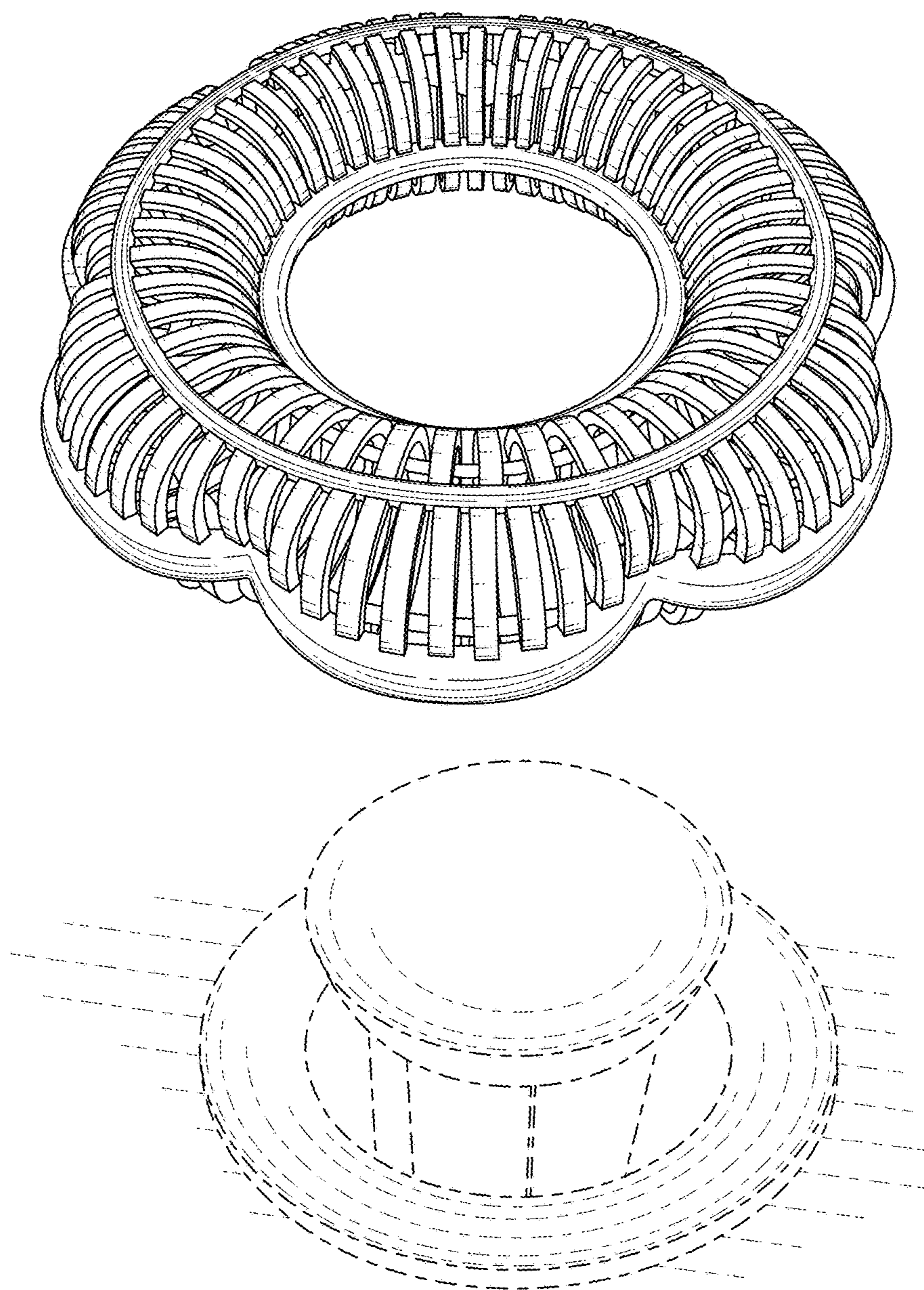


FIG. 2

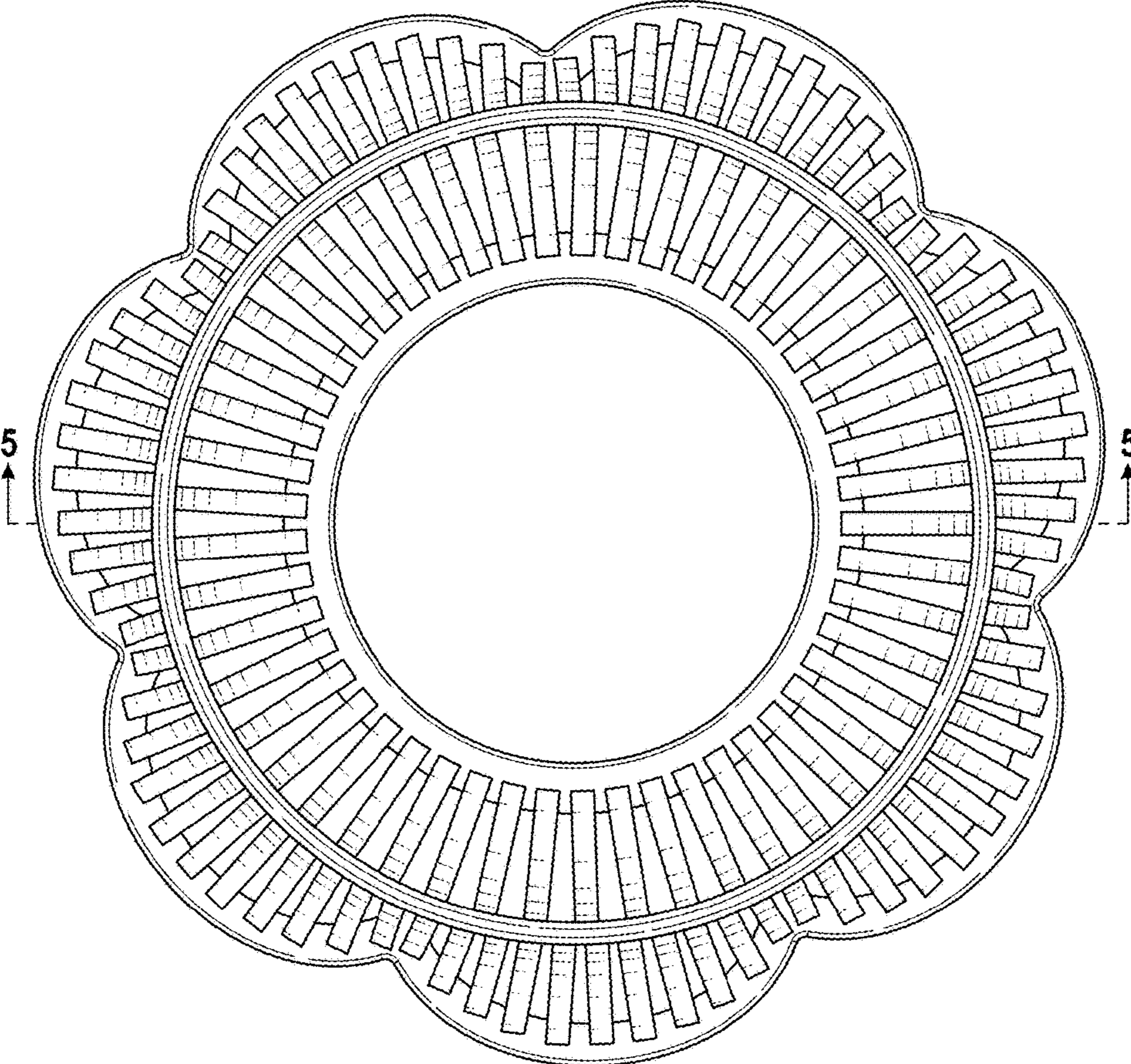


FIG. 3

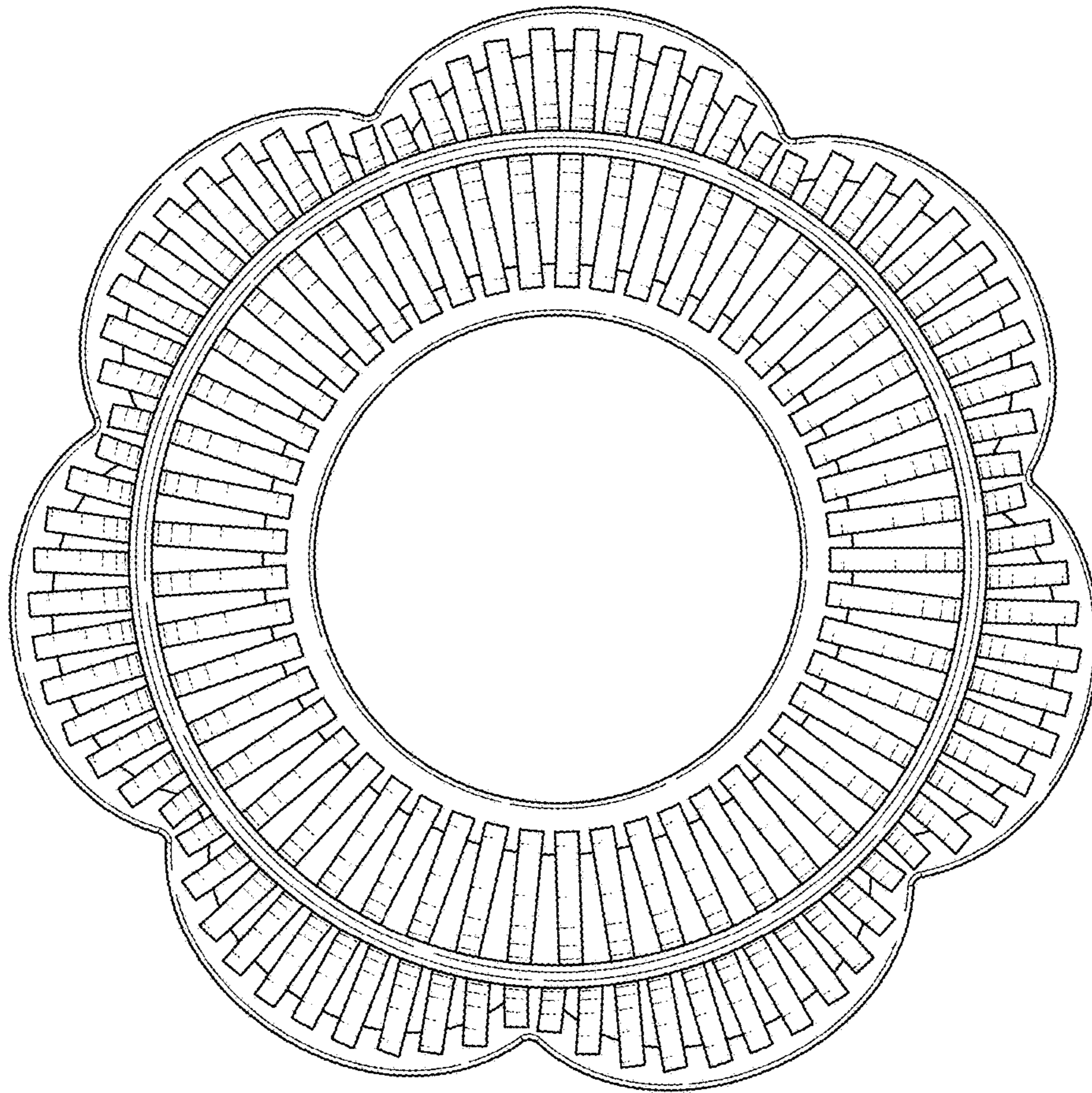


FIG. 4

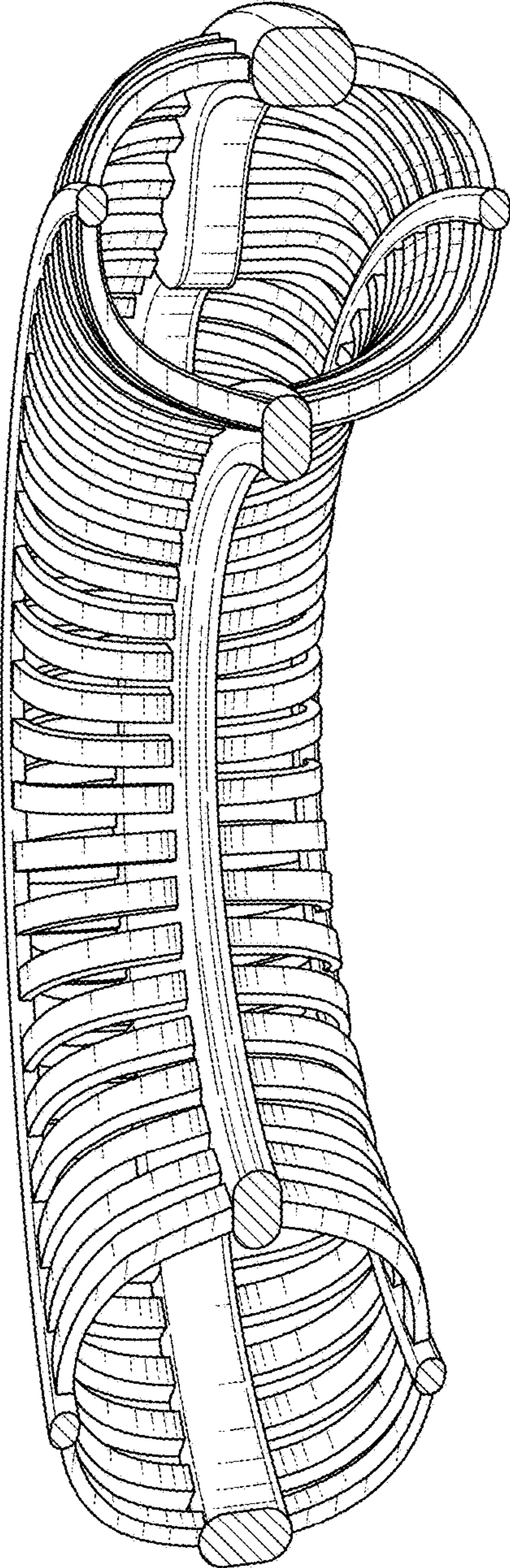


FIG. 5

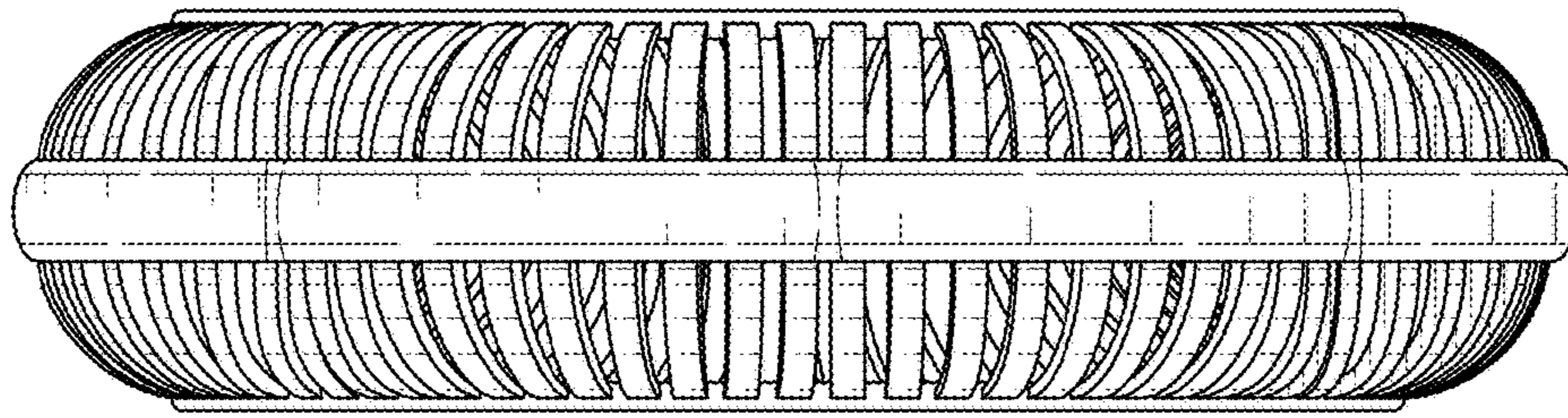


FIG. 6

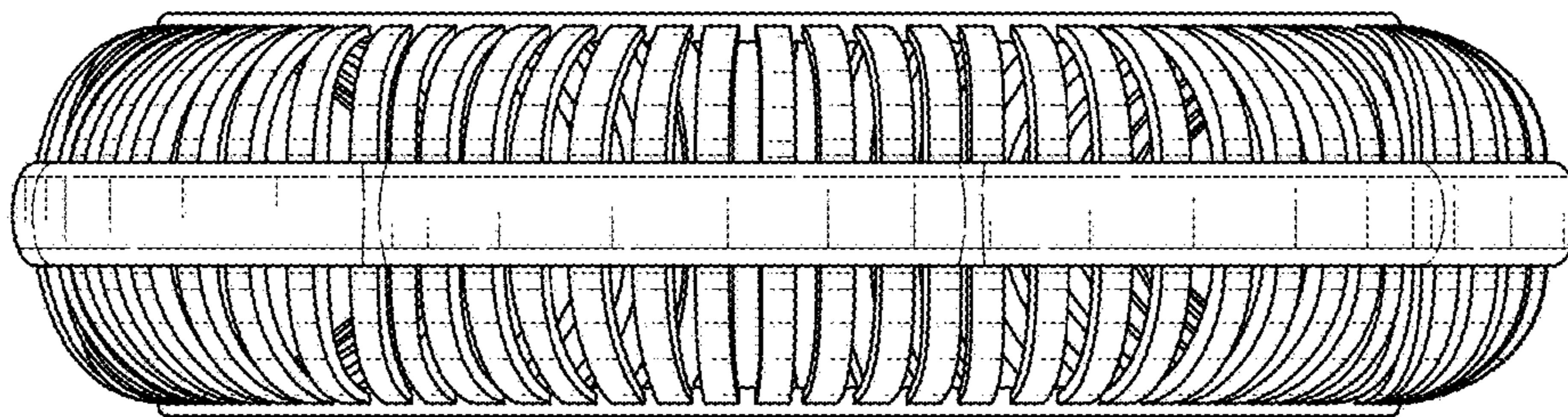


FIG. 7

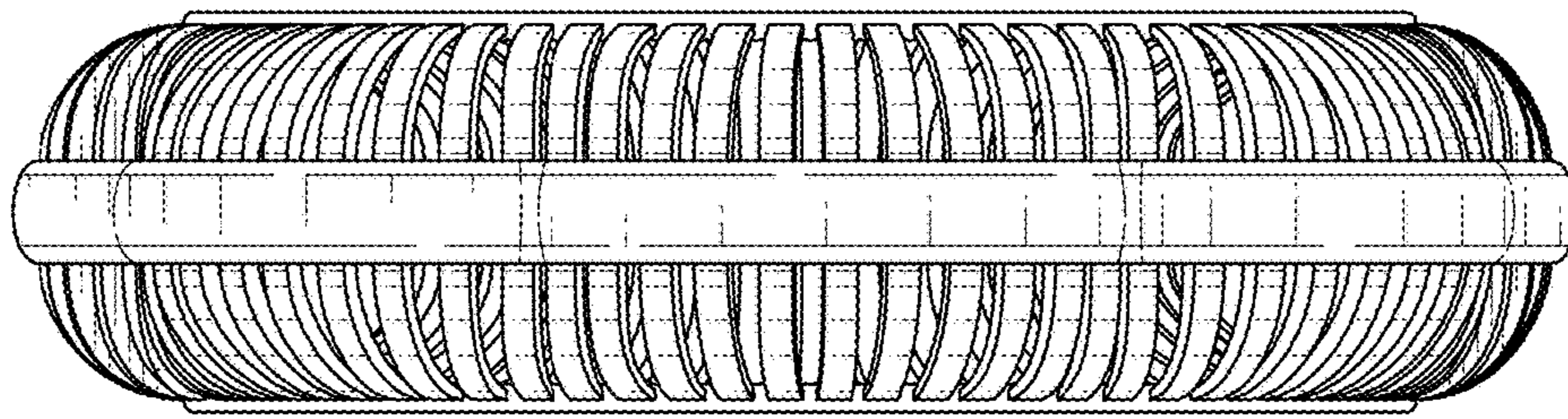


FIG. 8

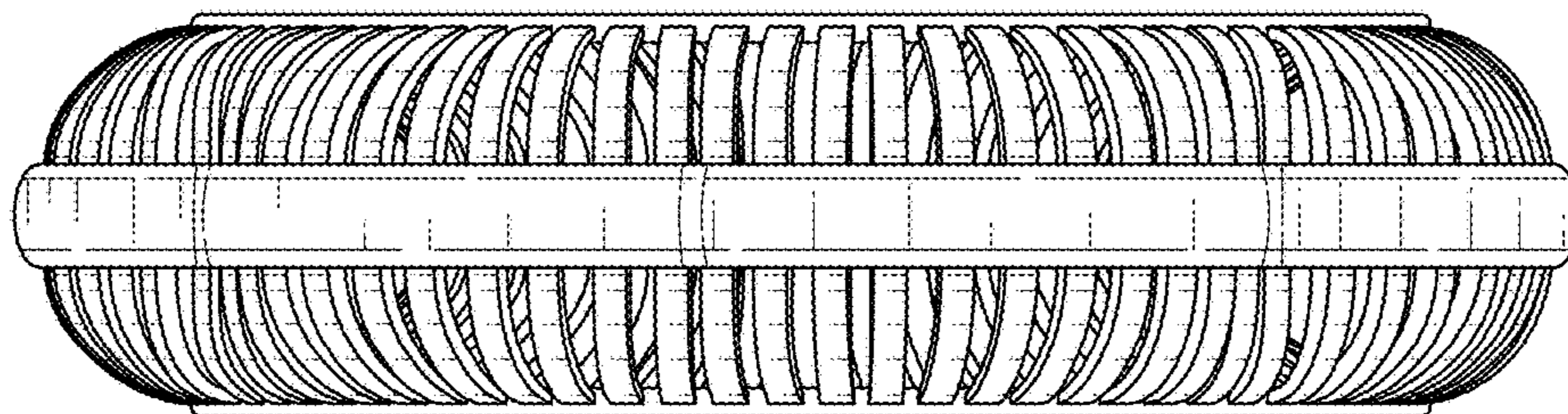


FIG. 9