



US00D873971S

(12) **United States Design Patent**
Boord et al.

(10) **Patent No.:** **US D873,971 S**
(45) **Date of Patent:** **** Jan. 28, 2020**

- (54) **DRAIN**
- (71) Applicant: **Ohio Precision, Inc.**, Canton, OH (US)
- (72) Inventors: **David J. Boord**, North Canton, OH (US); **Scott A. Oberlin**, Dalton, OH (US)
- (73) Assignee: **Ohio Precision, Inc.**, Canton, OH (US)
- (**) Term: **15 Years**
- (21) Appl. No.: **29/643,198**
- (22) Filed: **Apr. 5, 2018**
- (51) **LOC (12) Cl.** **23-01**
- (52) **U.S. Cl.**
USPC **D23/261**
- (58) **Field of Classification Search**
USPC D23/259, 260, 209, 261, 304–305, 310,
D23/388; 4/178.22, 222.1,
4/255.01–255.12, 256.1, 286–289,
4/290–295, 309, 490, 507, 596, 652,
4/671–675, 679–682, 694–696, 164, 508;
220/203.1, 241, 780, 787, 789; D7/667;
210/163–164
CPC A47K 3/40
See application file for complete search history.

- D716,922 S * 11/2014 Eilmus D23/308
 - D716,923 S * 11/2014 Eilmus D23/308
 - D729,913 S * 5/2015 Eilmus D23/308
- (Continued)

OTHER PUBLICATIONS

Ligature R4esistant Floor Drain Grate, Whitehall Manufacturing, Revised Aug. 4, 2018, [Visited Online Jul. 3, 2019] <https://www.whitehallmfg.com/uploads/fileLibrary/WHDG.pdf> (Year: 2018).*

(Continued)

Primary Examiner — Amy C Wierenga
(74) *Attorney, Agent, or Firm* — Zollinger & Burleson Ltd.

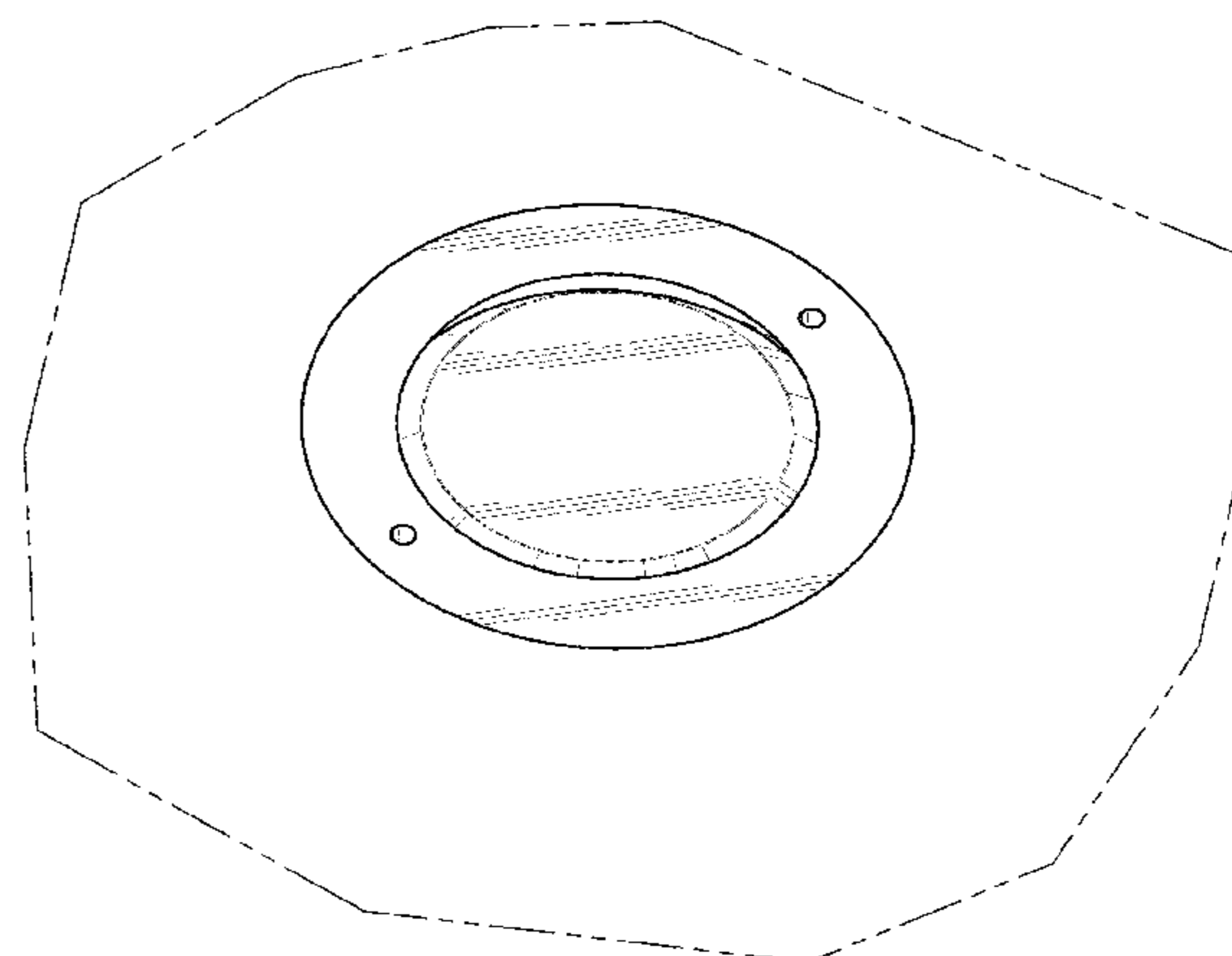
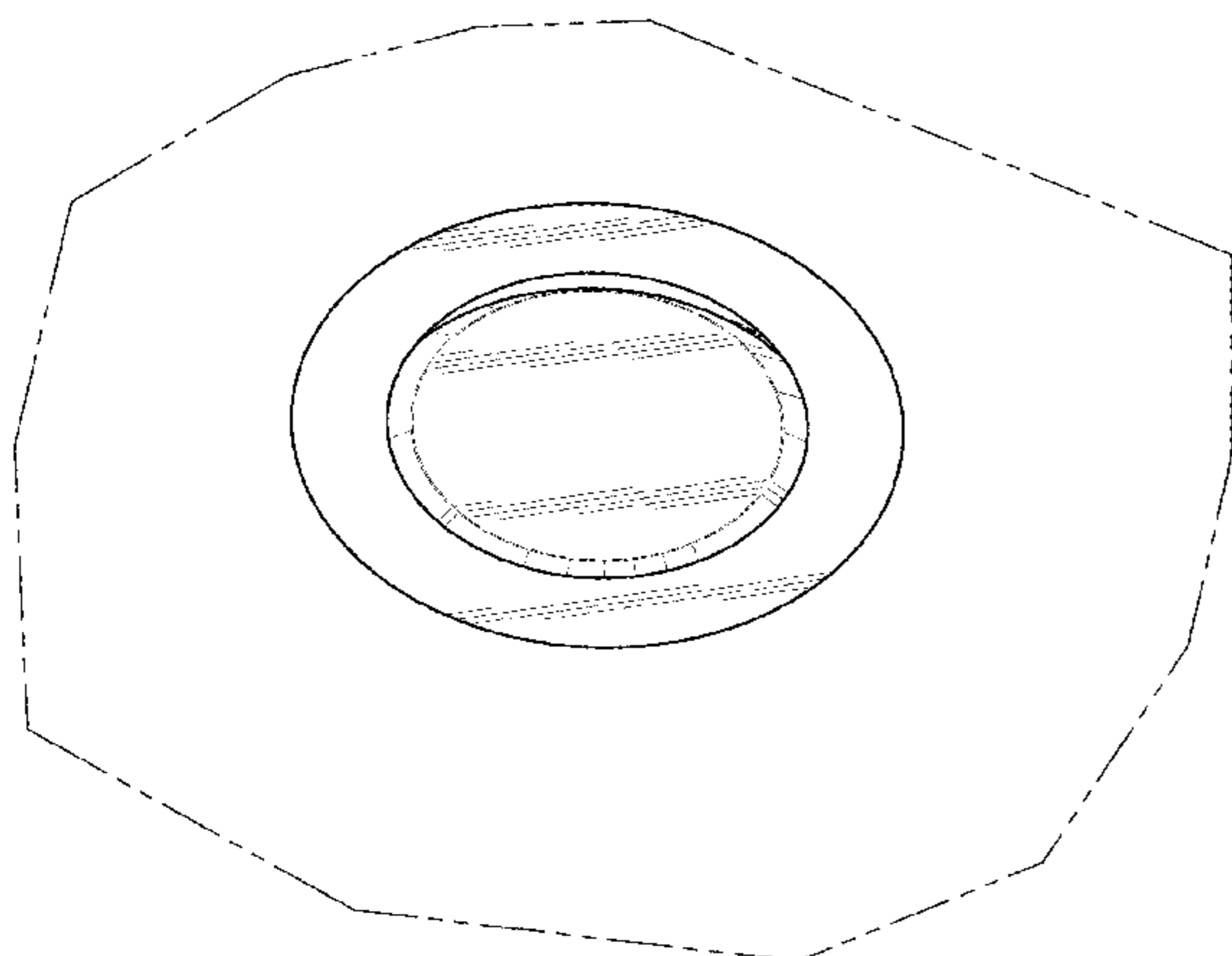
(57) **CLAIM**
The ornamental design for a drain, as shown and described.

DESCRIPTION

FIG. 1 is a perspective view of a first embodiment of the drain showing our new design.
FIG. 2 is a top plan view thereof.
FIG. 3 is a section view taken along line 3-3 of FIG. 2.
FIG. 4 is a perspective view of a second embodiment of the drain showing our new design.
FIG. 5 is a top plan view thereof.
FIG. 6 is a section view taken along line 6-6 of FIG. 5.
FIG. 7 is a perspective view of a third embodiment of the drain showing our new design.
FIG. 8 is a top plan view thereof.
FIG. 9 is a section view taken along line 9-9 of FIG. 8.
FIG. 10 is a perspective view of a fourth embodiment of the drain showing our new design.
FIG. 11 is a top plan view thereof; and,
FIG. 12 is a section view taken along line 12-12 of FIG. 11.
The broken lines of FIGS. 1, 4, 7, and 10 depict environmental subject matter and form no part of the claimed design. The features depicted in dashed broken line represent portions of the drain that form no part of the claim.

1 Claim, 8 Drawing Sheets

- (56) **References Cited**
U.S. PATENT DOCUMENTS
- | | | | | | |
|------------|---|---------|--------|-------|---------|
| D413,377 S | * | 8/1999 | Pauly | | D23/261 |
| D614,267 S | * | 4/2010 | Breda | | D23/261 |
| D636,059 S | * | 4/2011 | Shorey | | D23/233 |
| D677,765 S | * | 3/2013 | Laera | | D23/260 |
| D703,800 S | * | 4/2014 | Eilmus | | D23/308 |
| D703,801 S | * | 4/2014 | Eilmus | | D23/308 |
| D716,422 S | * | 10/2014 | Eilmus | | D23/308 |
| D716,921 S | * | 11/2014 | Eilmus | | D23/308 |



(56)

References Cited

U.S. PATENT DOCUMENTS

D739,499 S * 9/2015 Shorey D23/248
D743,013 S * 11/2015 Eilmus D23/308
9,850,643 B2 * 12/2017 Eilmus E03C 1/22
D833,584 S * 11/2018 Levi D23/260
2013/0129418 A1 * 5/2013 Wander E02D 29/14
404/25
2014/0259380 A1 * 9/2014 Eilmus E03C 1/22
4/650

OTHER PUBLICATIONS

Safe Cell Shower Drain, Flip Book, <https://online.flippingbook.com/view/159555/14/> (Year: 2019).*

Intersan Anti-ligature Crocodile Roll Resistnt (CRR) Floor Drain, accessed Oct. 2, 2017 from <http://www.intersan.us/us/behavioral-healthcare-2455.htm>; publication date unknown.

* cited by examiner

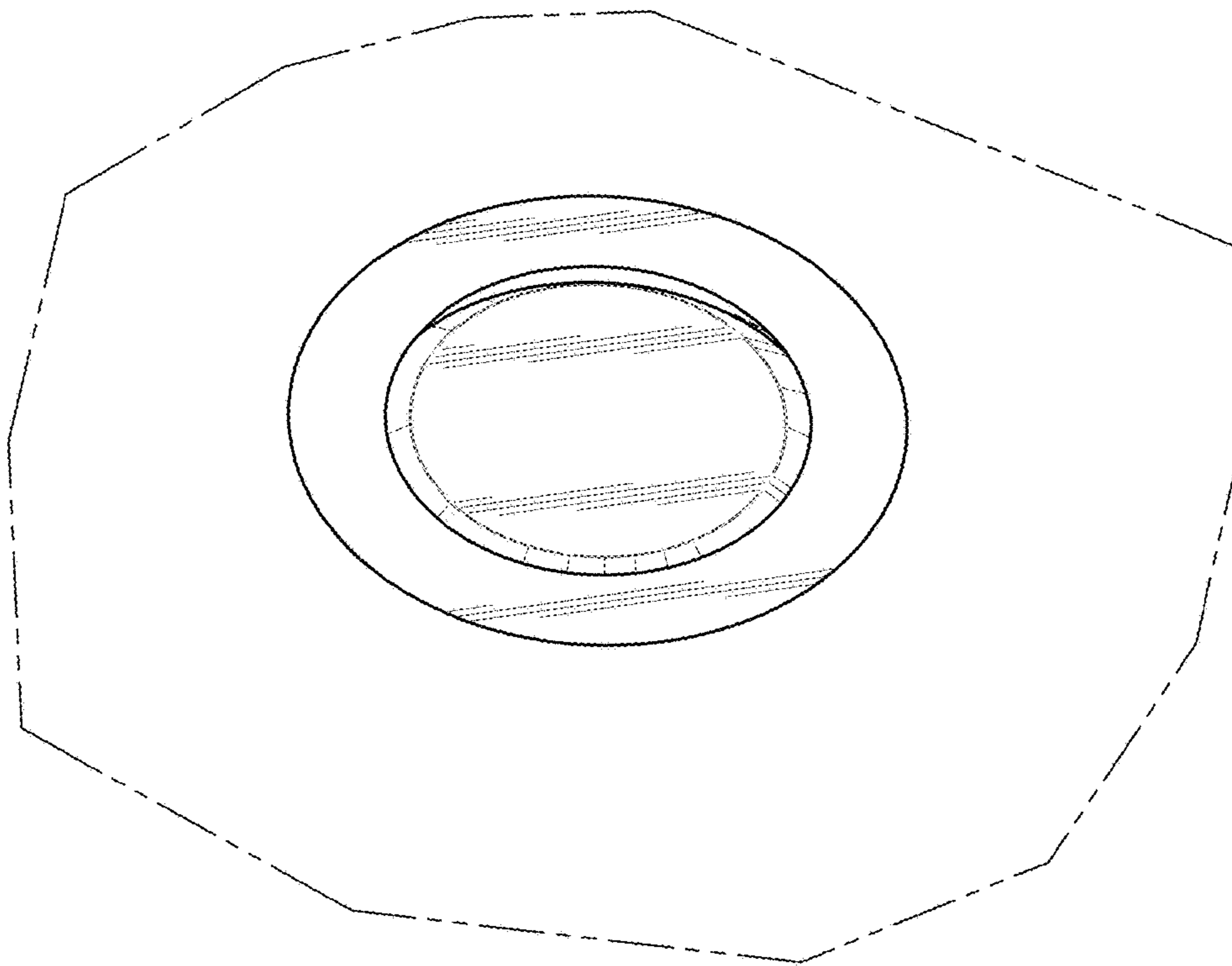


FIG. 1

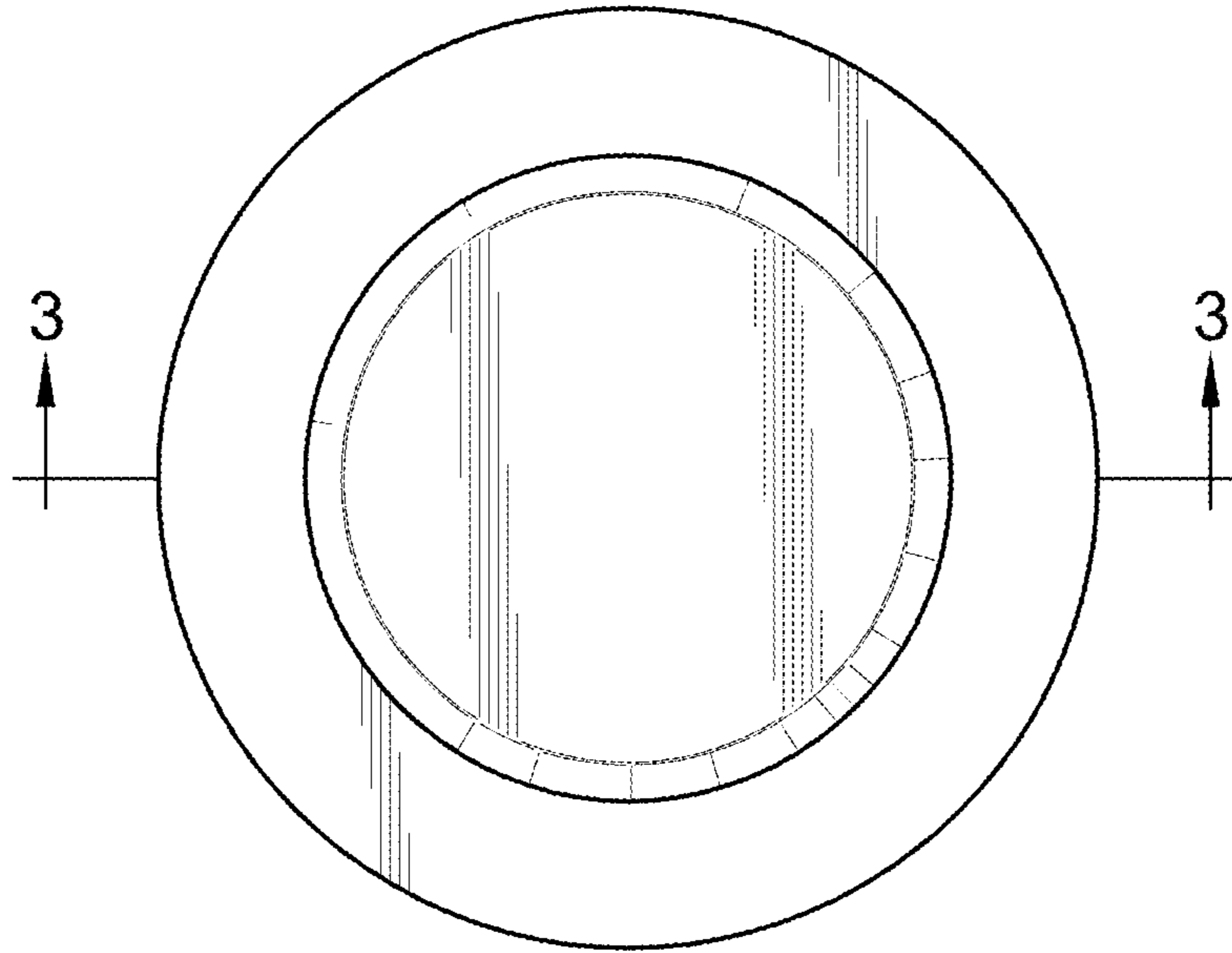


FIG. 2



FIG. 3

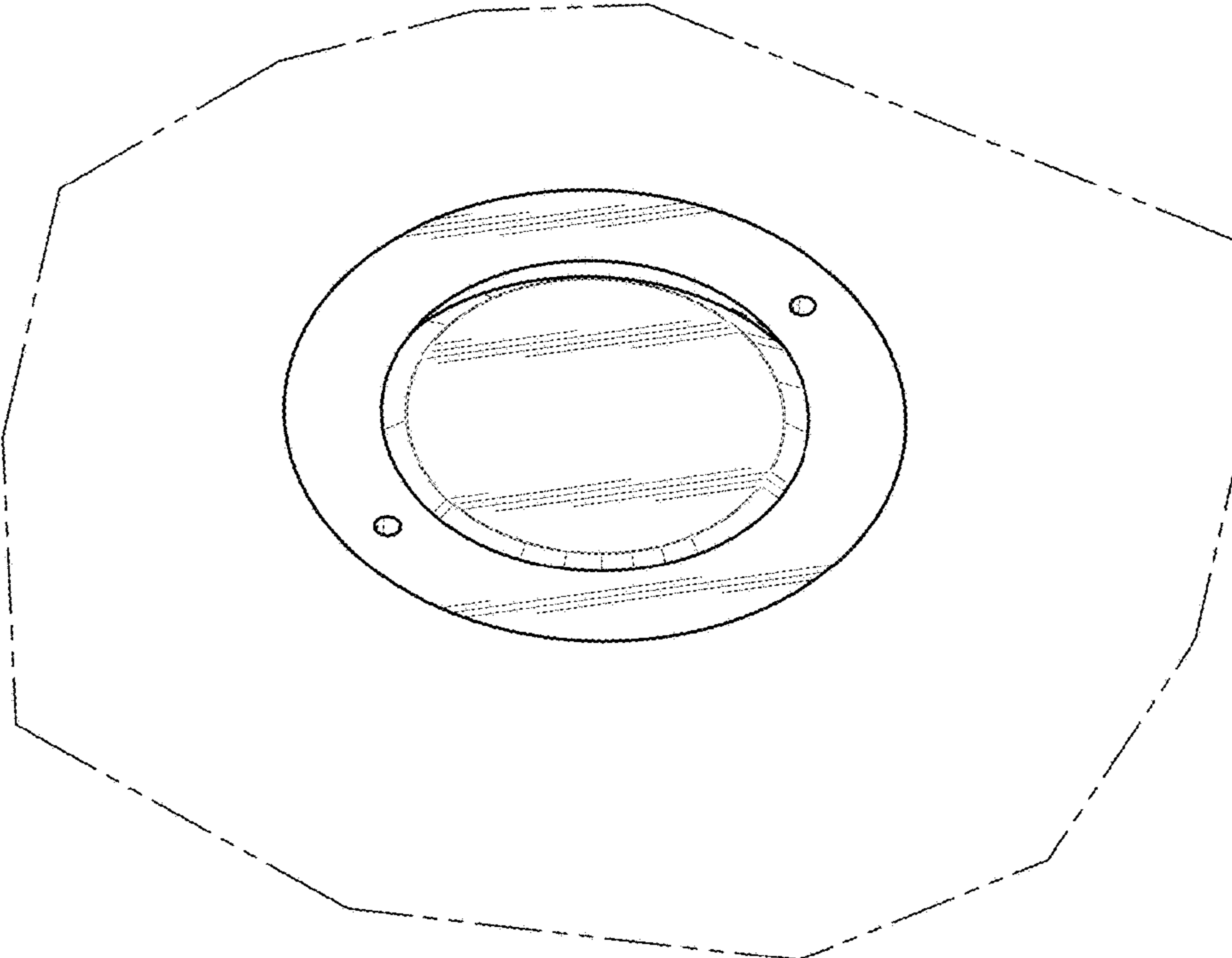


FIG. 4

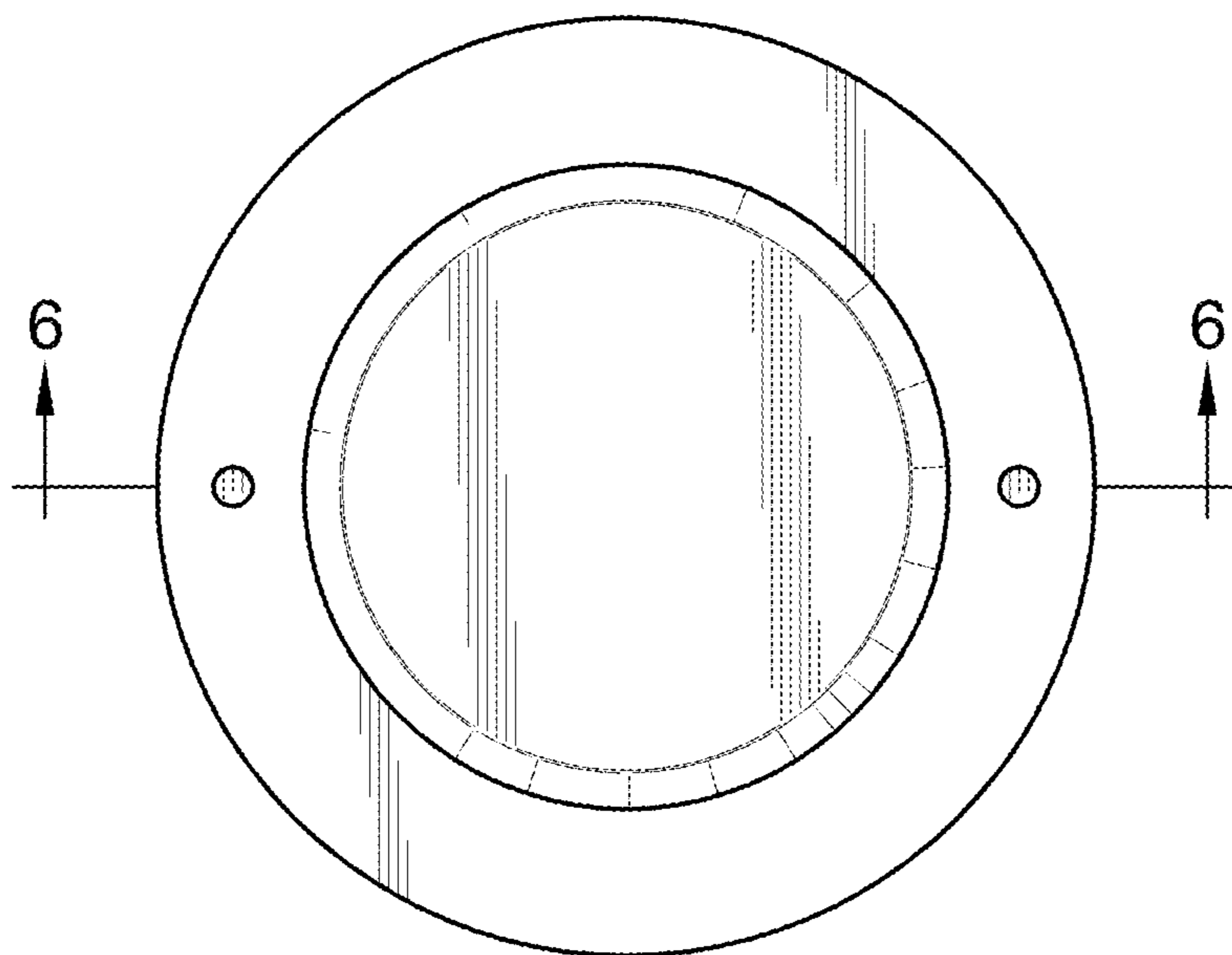


FIG. 5

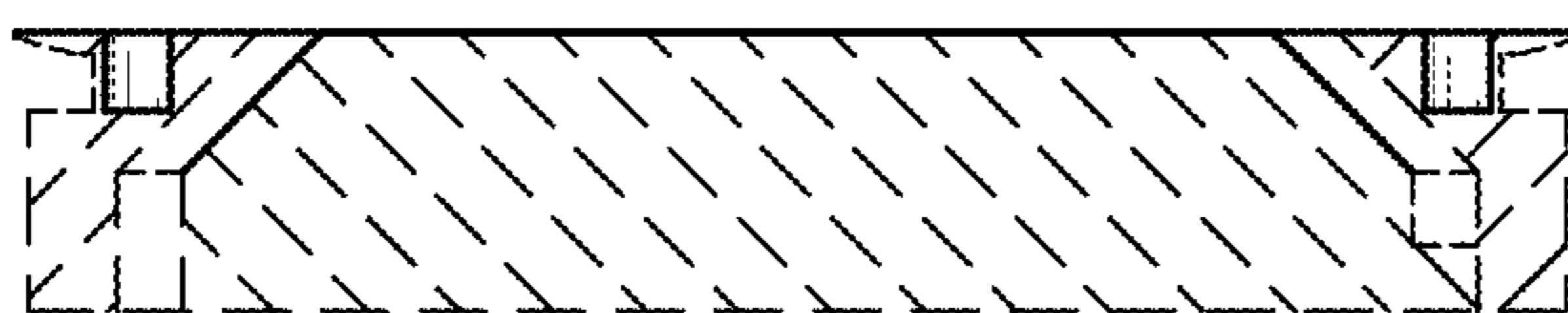


FIG. 6

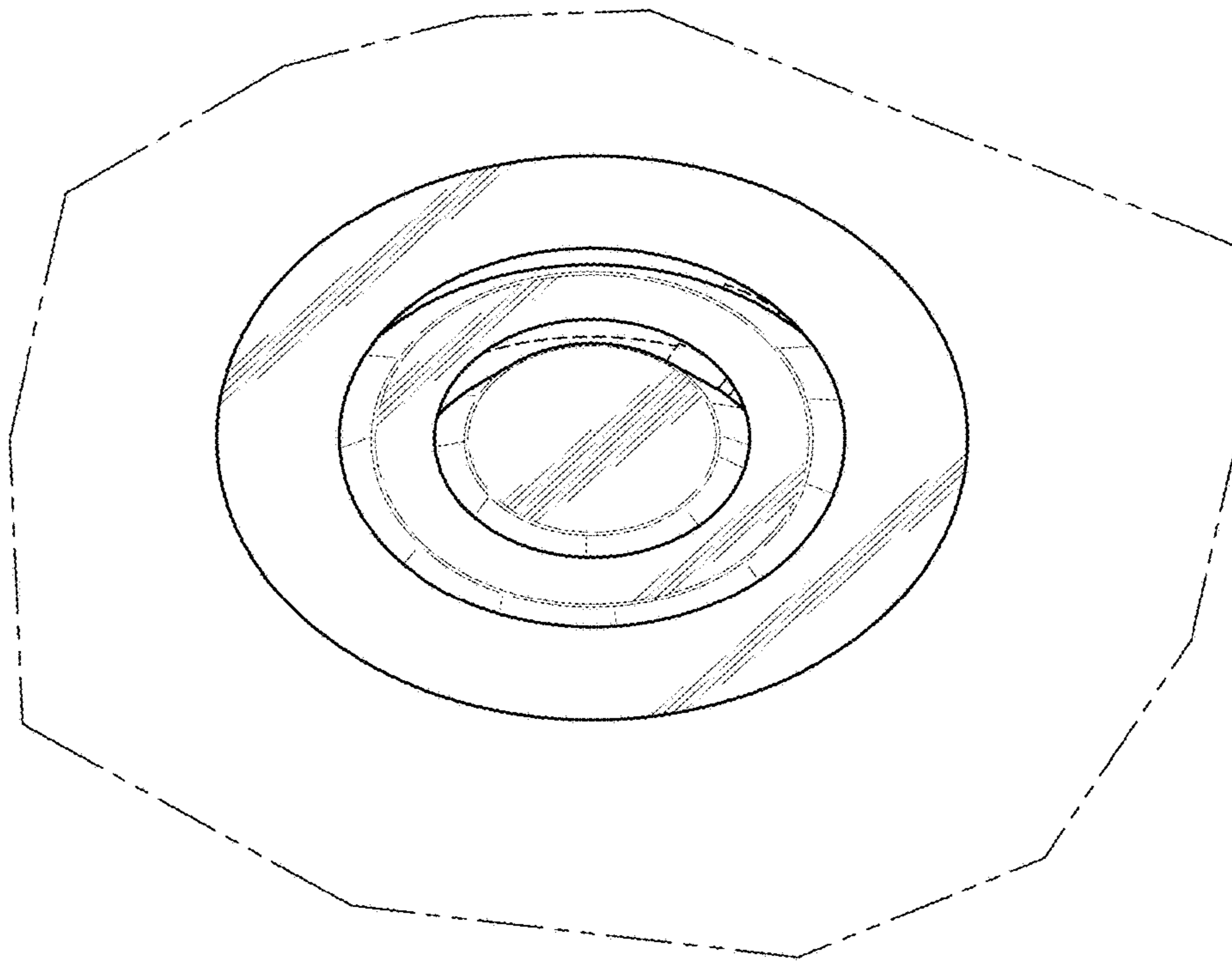


FIG. 7

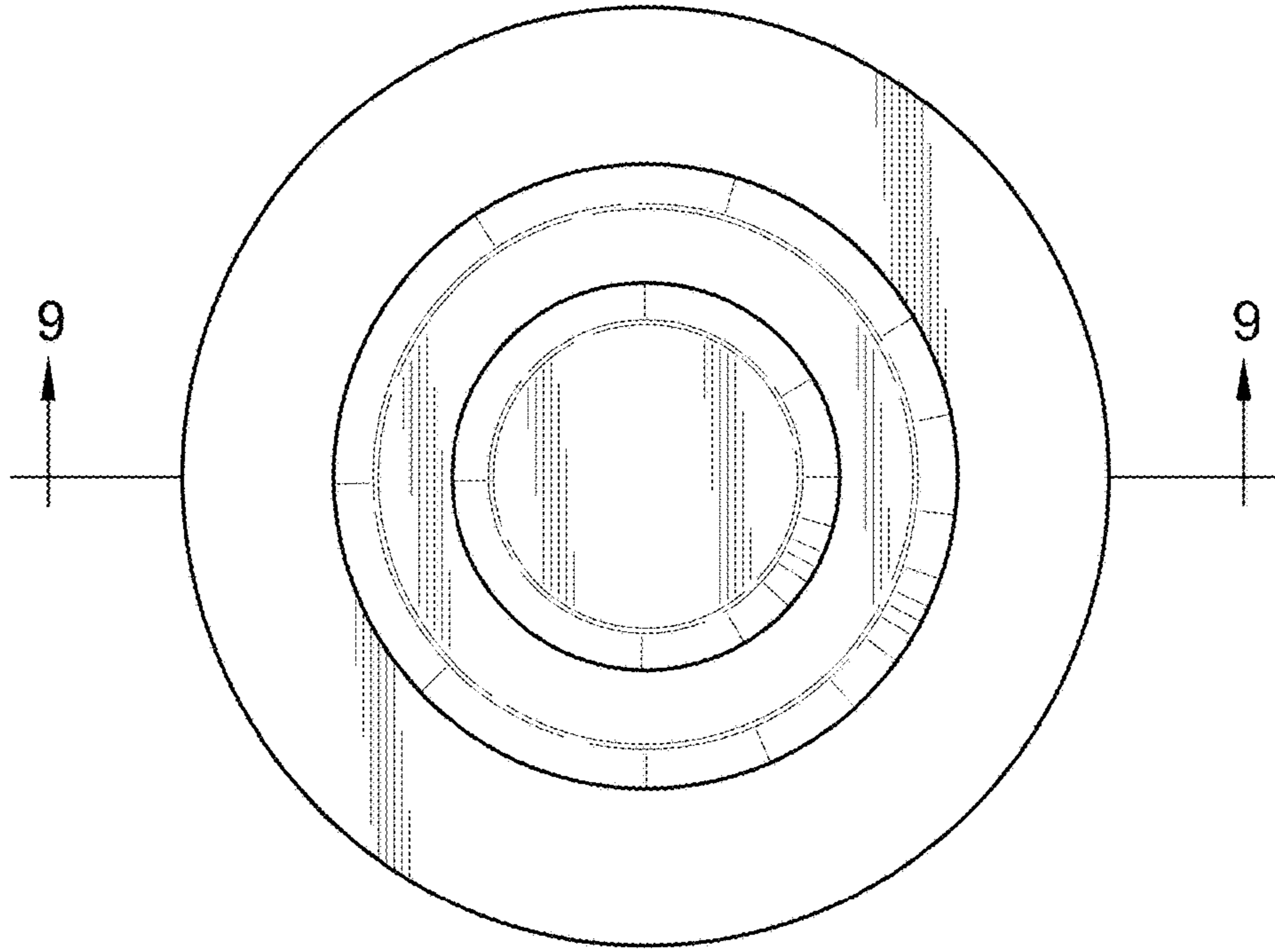


FIG. 8

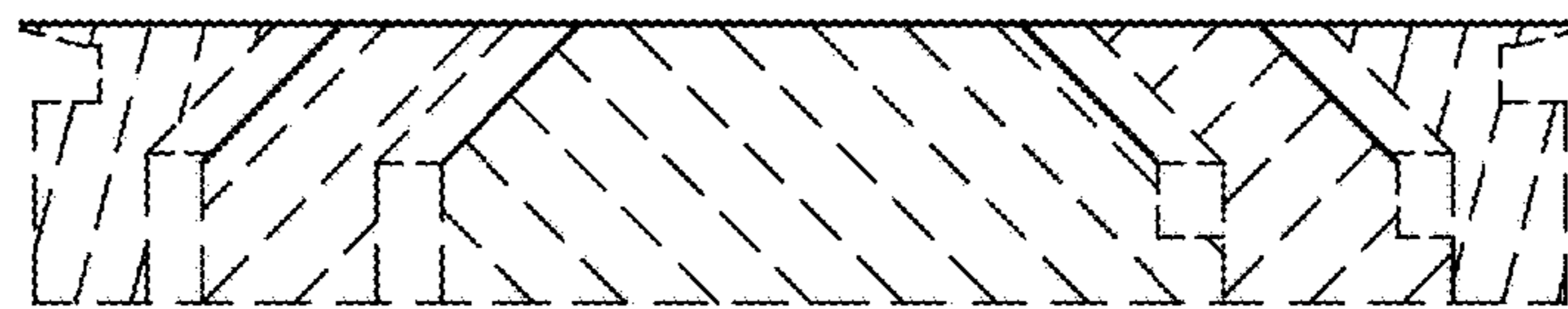


FIG. 9

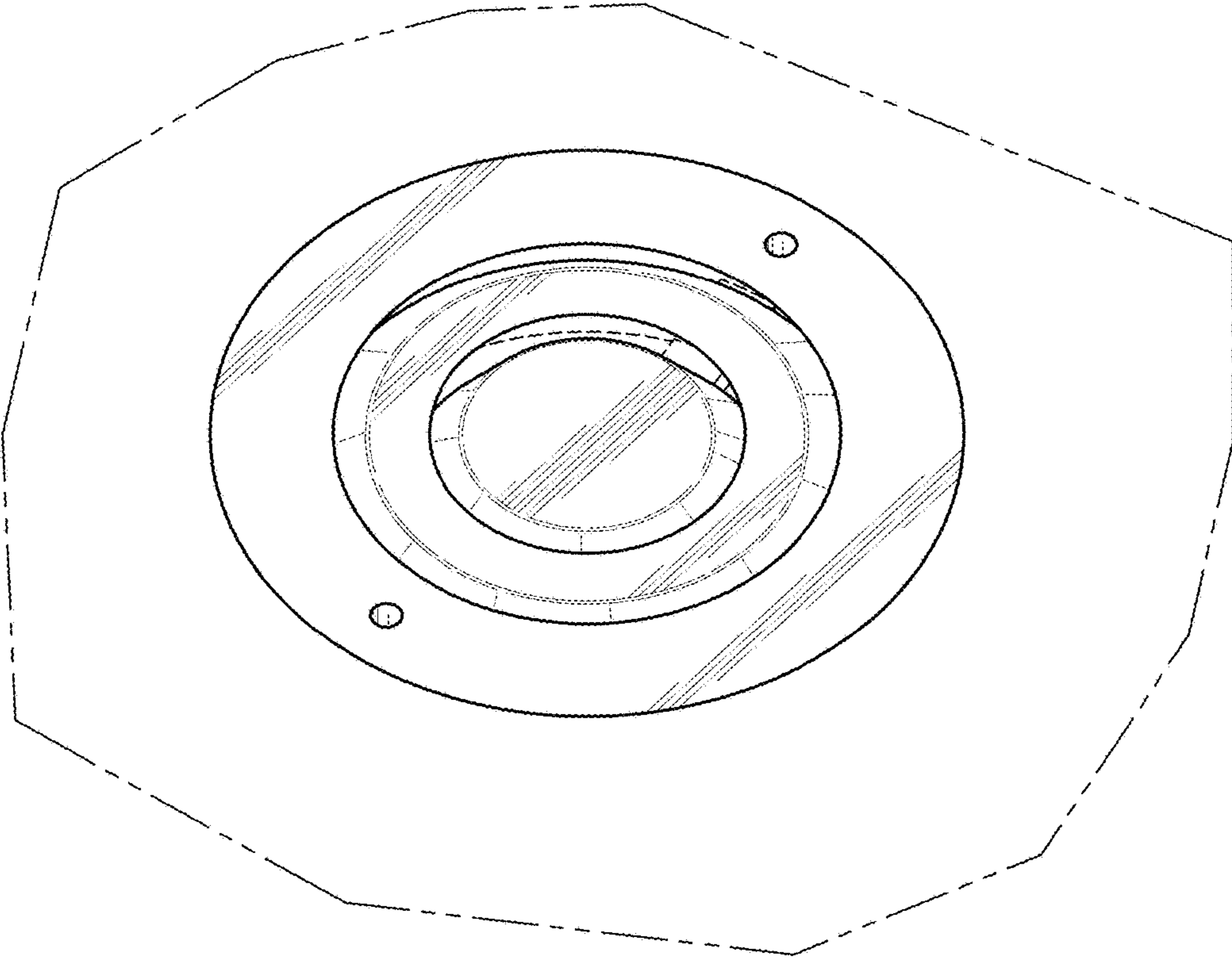


FIG. 10

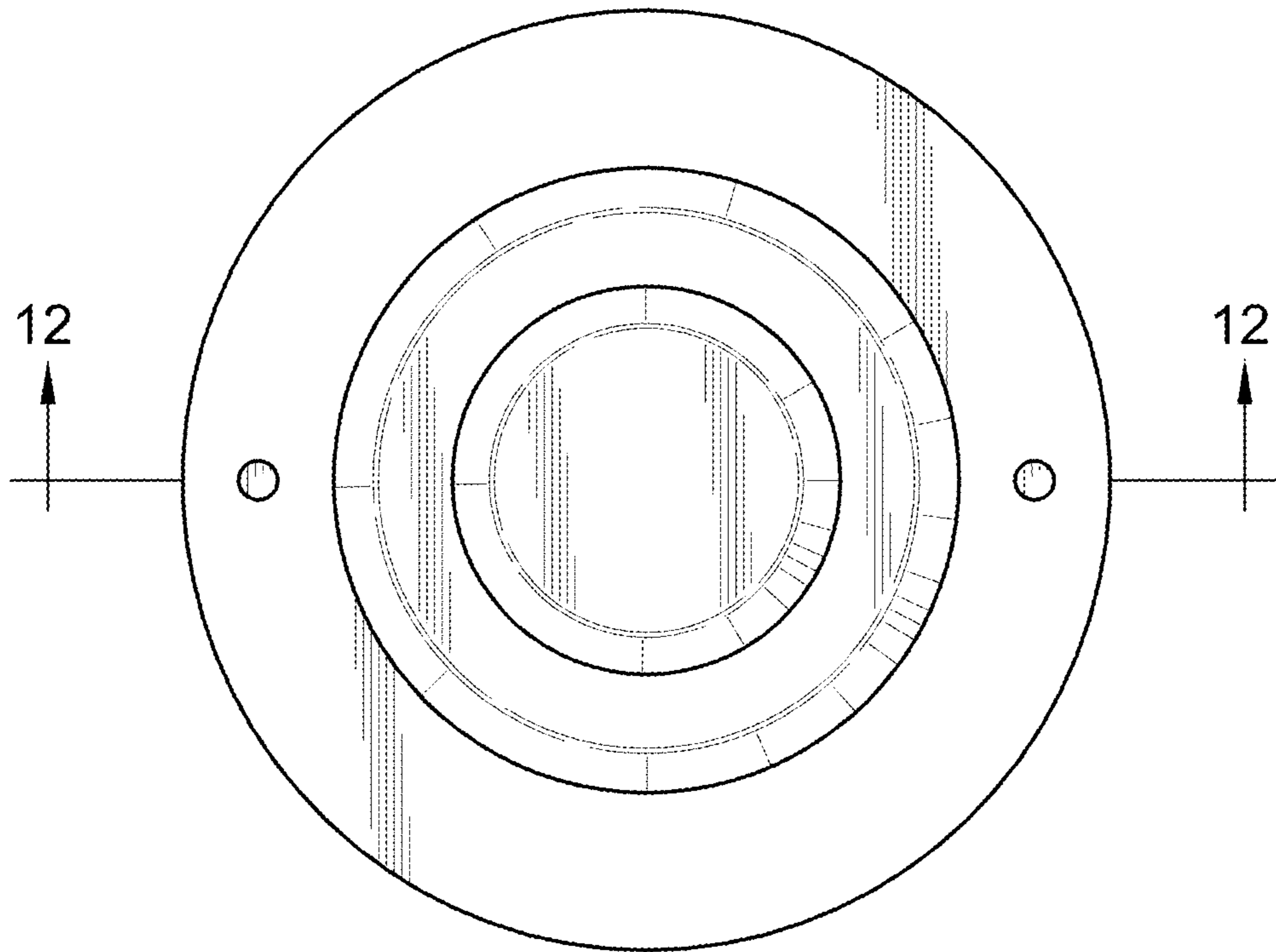


FIG. 11

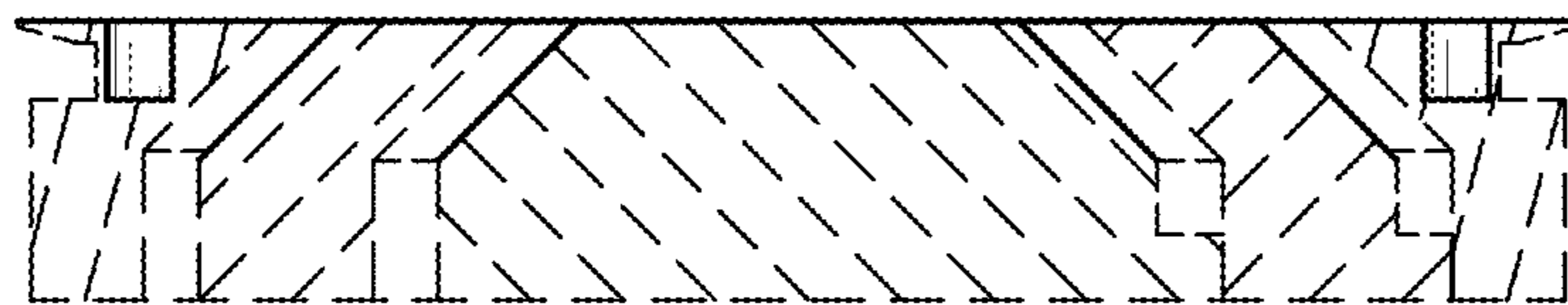


FIG. 12