

US00D873967S

(12) **United States Design Patent** (10) **Patent No.:** **US D873,967 S**  
**Ozburn** (45) **Date of Patent:** **\*\* Jan. 28, 2020**

(54) **HYDRANT BONNET SLEEVE**  
(71) Applicant: **Albert Glenn Ozburn**, Oxford, GA (US)  
(72) Inventor: **Albert Glenn Ozburn**, Oxford, GA (US)  
(\*\*) Term: **15 Years**

D613,828 S \* 4/2010 Kinchen ..... D23/260  
D679,171 S \* 4/2013 Sedwick ..... D23/249  
8,657,021 B1 2/2014 Preta et al.  
D700,682 S \* 3/2014 Bayyouk ..... D23/233  
D748,228 S \* 1/2016 Bayyouk ..... D23/269  
D787,029 S \* 5/2017 Bayyouk ..... D23/269  
2010/0295672 A1 11/2010 Hyland et al.  
2012/0261002 A1 10/2012 Sampson  
2019/0024352 A1 1/2019 Ozburn

(21) Appl. No.: **29/657,496**  
(22) Filed: **Jul. 23, 2018**  
(51) **LOC (12) Cl.** ..... **23-01**  
(52) **U.S. Cl.**  
USPC ..... **D23/249**  
(58) **Field of Classification Search**  
USPC ..... D23/233, 234-237, 241-249, 259, 269,  
D23/260, 254, 262; 123/188.2, 41.69,  
123/41.41, 41.76, 41.77, 41.85, 188.1;  
137/217, 15.18, 559, 219, 625.34, 514,  
137/493.4, 301, 383, 382, 272; D15/1, 5  
CPC ..... F16K 27/006; F16K 25/005; F16K 27/12  
See application file for complete search history.

(56) **References Cited**  
U.S. PATENT DOCUMENTS

4,398,556 A 8/1983 Pereira et al.  
4,727,900 A 3/1988 Dooling et al.  
D347,467 S \* 5/1994 Medvick ..... D23/262  
D379,493 S \* 5/1997 Woods ..... D23/269  
D382,943 S \* 8/1997 Doughty ..... D23/259  
D386,246 S \* 11/1997 Sonden ..... D23/262  
6,536,462 B1 3/2003 Laugen  
D473,934 S \* 4/2003 Singtoroj ..... D23/254  
6,935,360 B2 8/2005 Knappmiller  
D554,974 S \* 11/2007 Huang ..... D8/352  
D572,348 S \* 7/2008 Arosio ..... D15/5

**OTHER PUBLICATIONS**

Office Action corresponding to U.S. Appl. No. 16/042,420 dated Aug. 15, 2019.

\* cited by examiner

*Primary Examiner* — Gino Colan  
(74) *Attorney, Agent, or Firm* — Jenkins, Wilson, Taylor & Hunt, P.A.

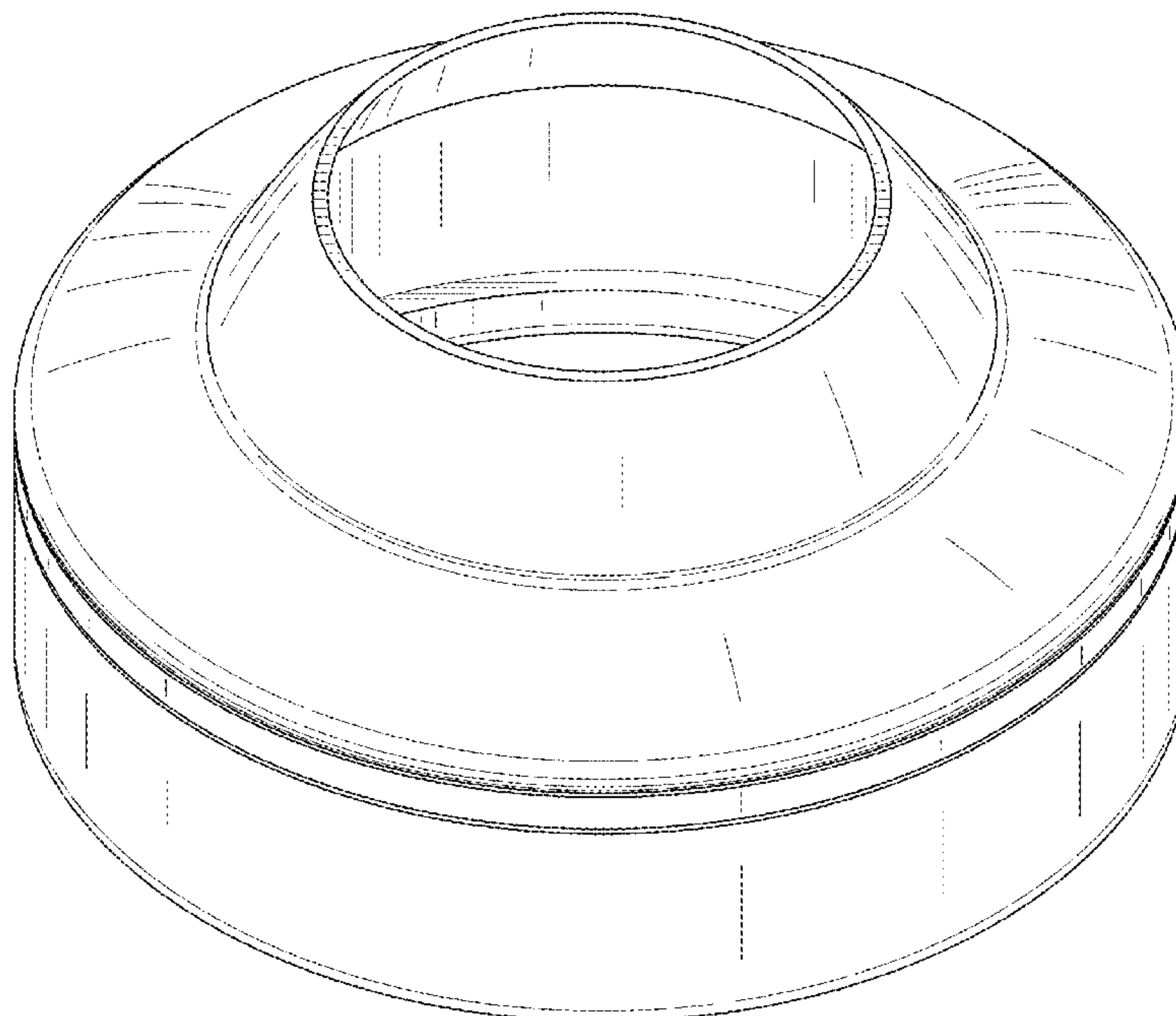
(57) **CLAIM**

The ornamental design for a hydrant bonnet sleeve, as shown and described.

**DESCRIPTION**

FIG. 1 is a top perspective view of a hydrant bonnet sleeve showing my new design;  
FIG. 2 is a bottom perspective view of FIG. 1;  
FIG. 3 is a top plan view of FIG. 1;  
FIG. 4 is a bottom plan view of FIG. 1;  
FIG. 5 is a side elevation view of FIG. 1; and,  
FIG. 6 is a side elevation view of FIG. 1, shown in an assembled condition on a fire hydrant.  
The broken lines shown in the figures are included for the purpose of illustrating environment and form no part of the claimed design.

**1 Claim, 6 Drawing Sheets**



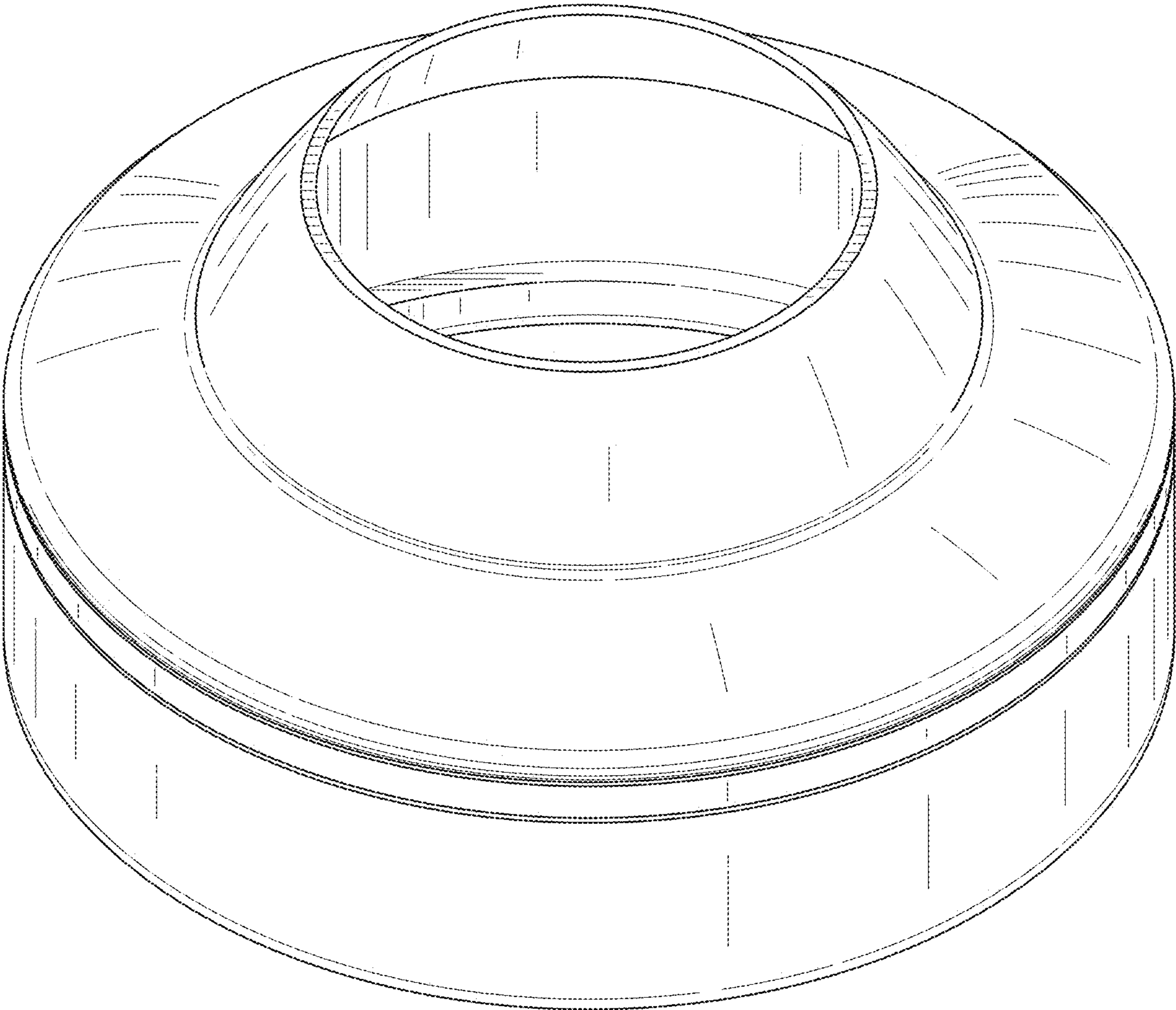


FIG. 1

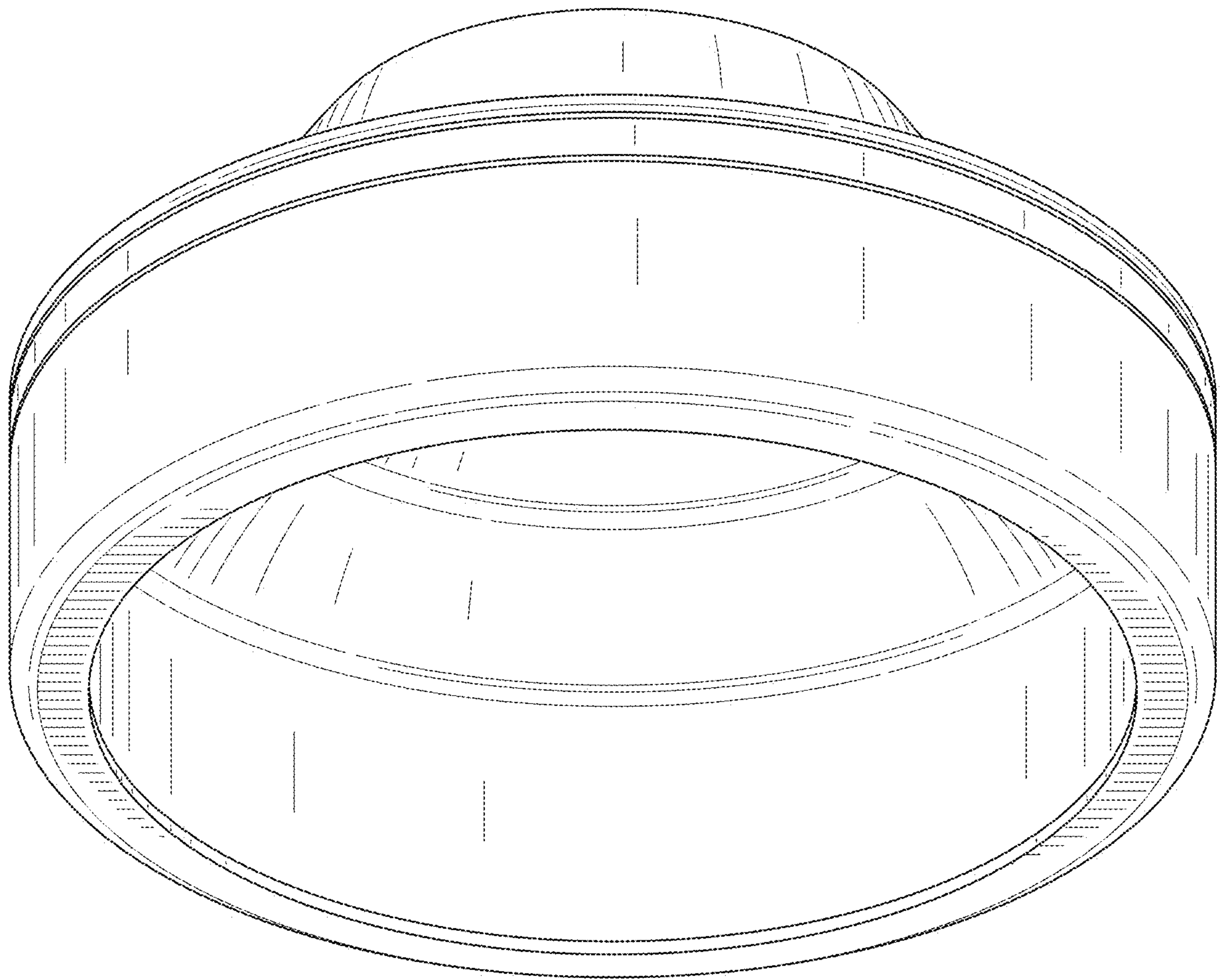
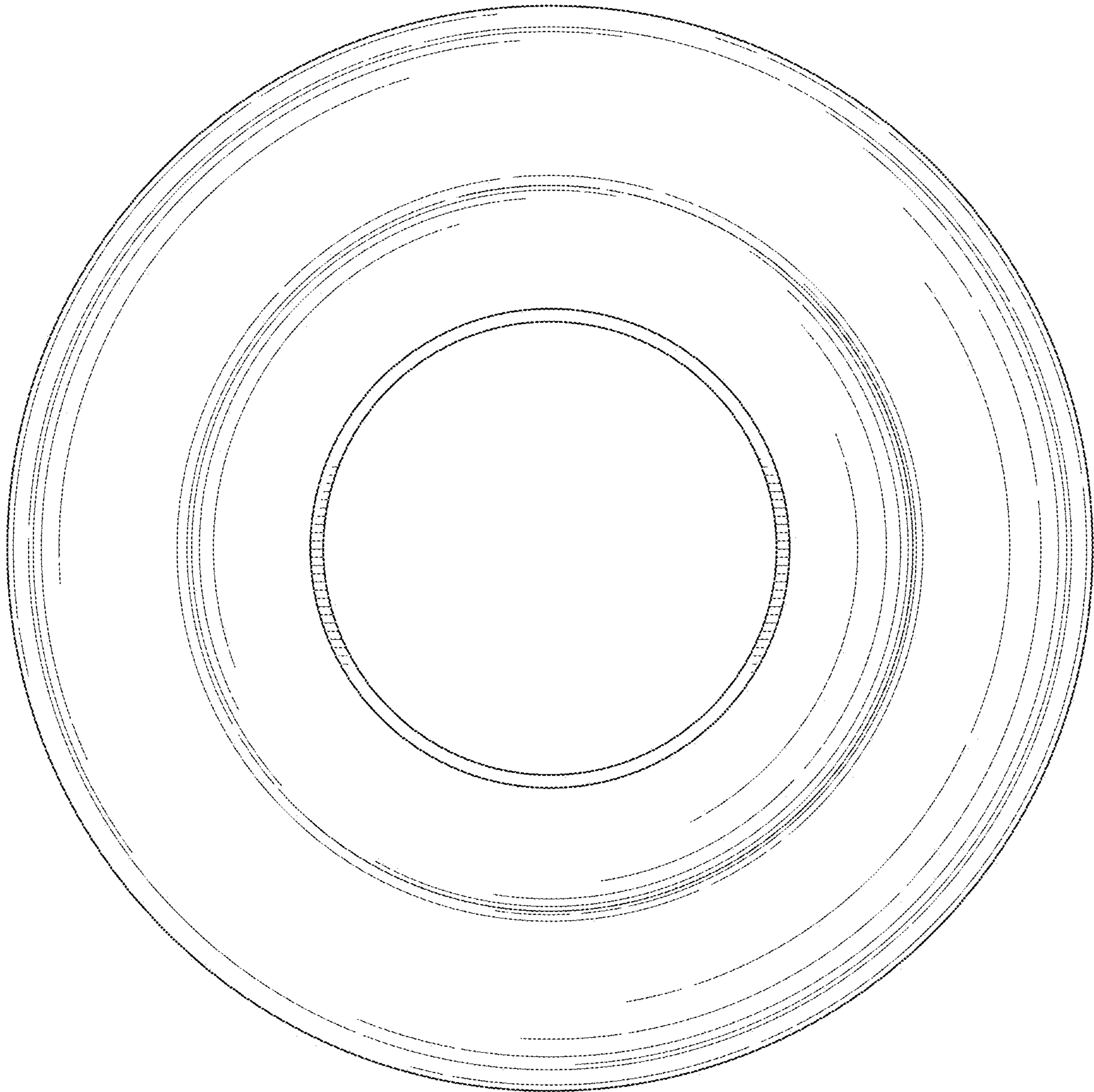


FIG. 2





**FIG. 3**

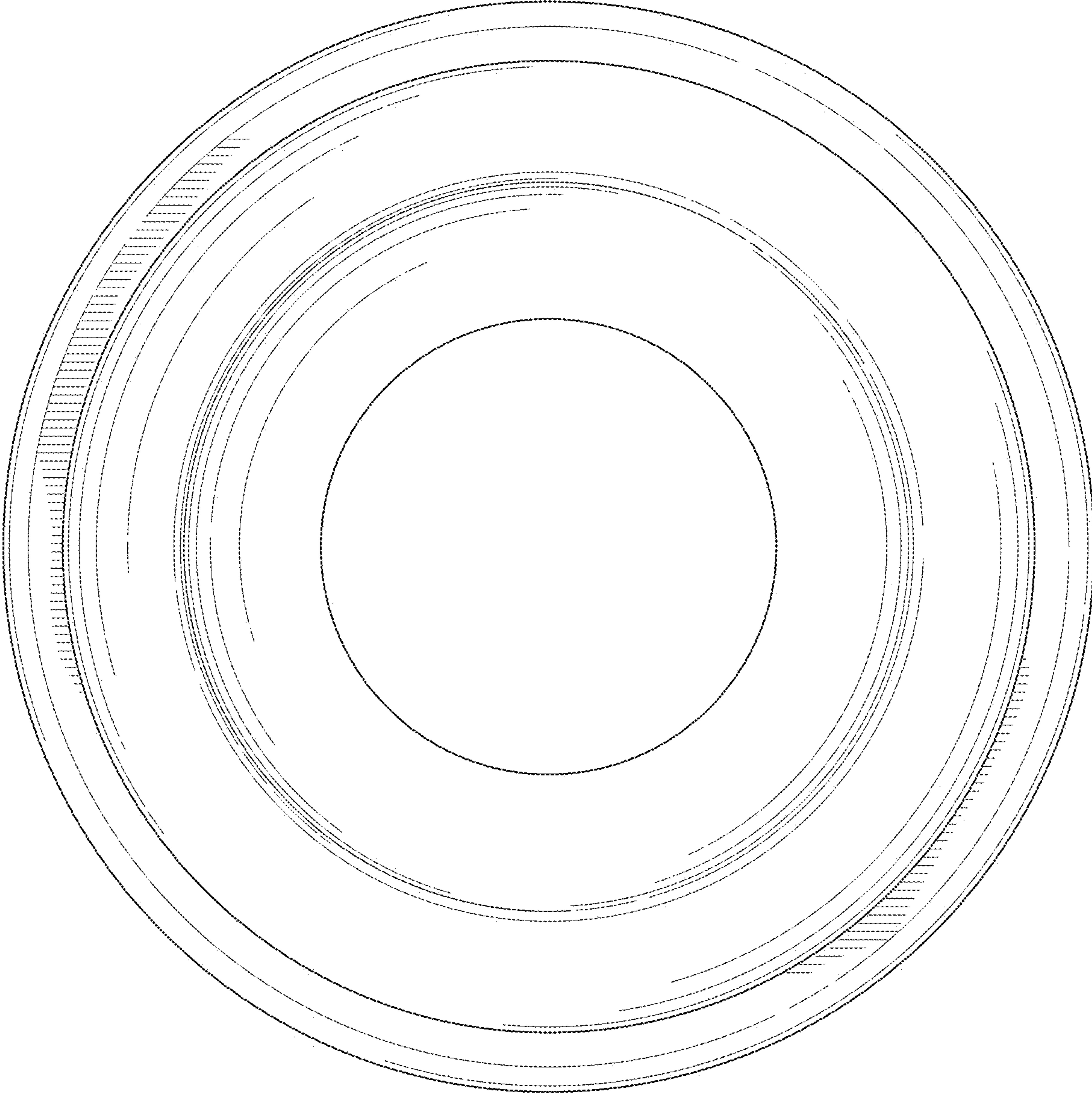


FIG. 4

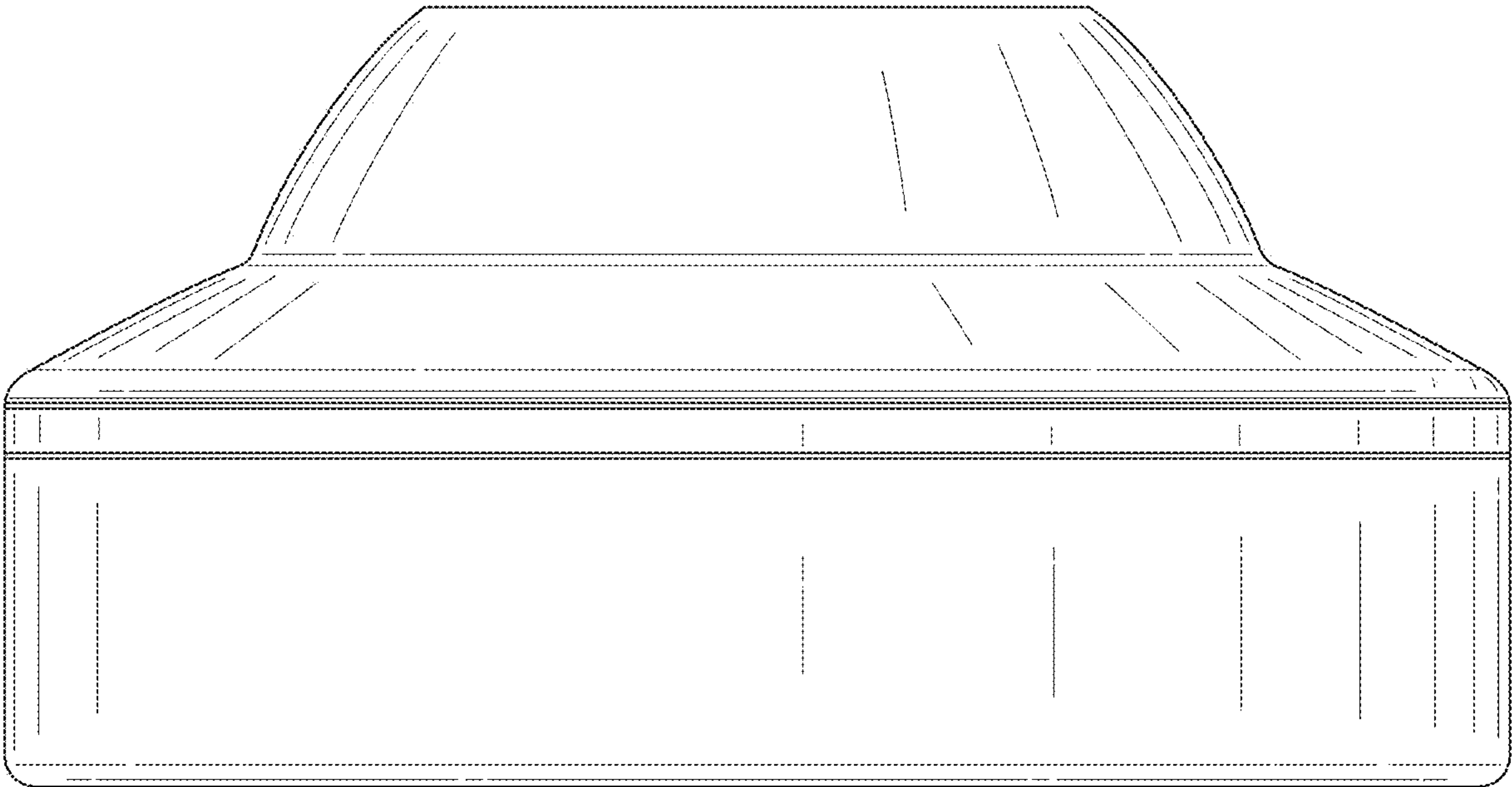


FIG. 5

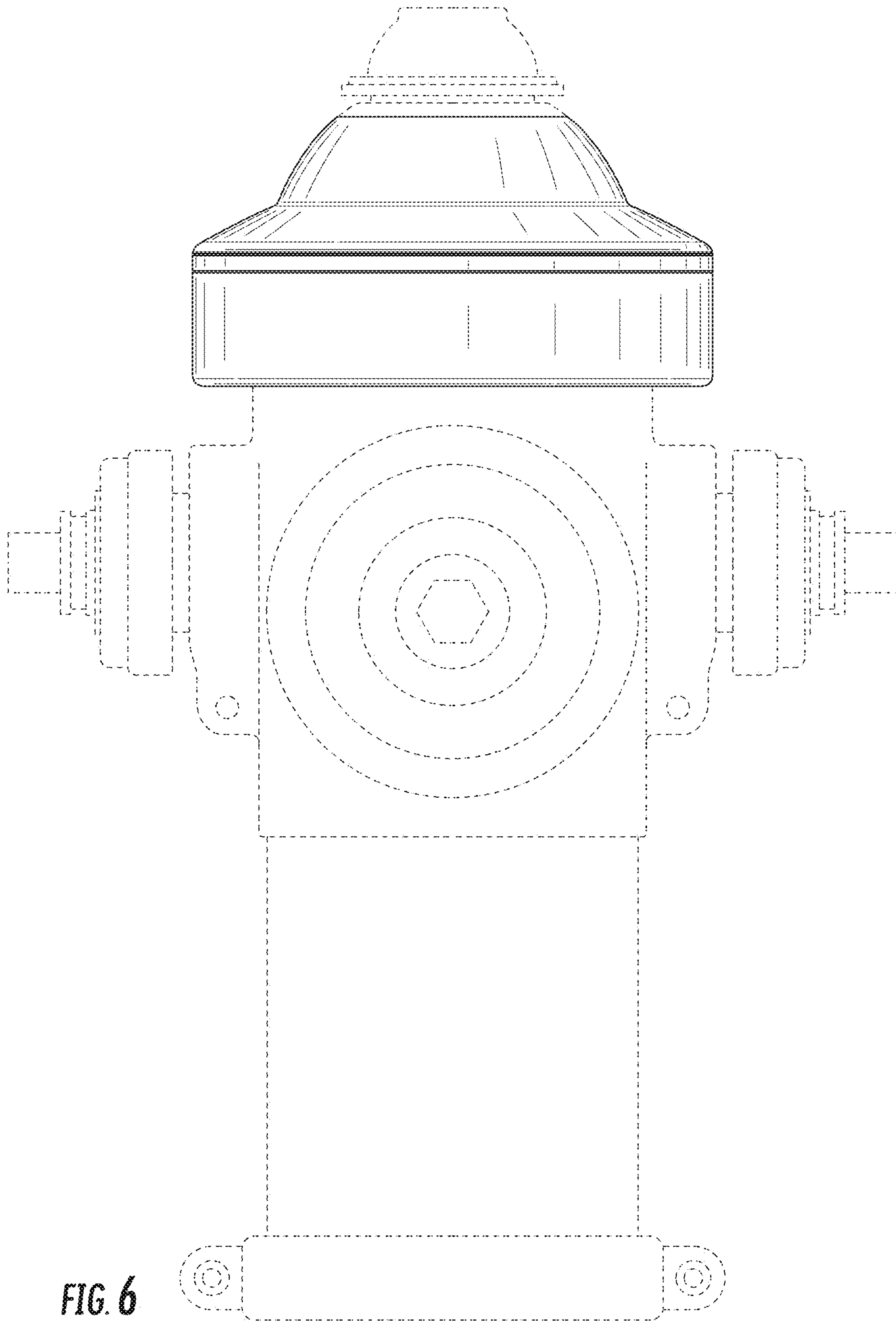


FIG. 6