



US00D873966S

(12) **United States Design Patent**
Nasu et al.

(10) **Patent No.:** **US D873,966 S**
(45) **Date of Patent:** **** Jan. 28, 2020**

(54) **BUTTERFLY VALVE**
(71) Applicant: **ASAHI YUKIZAI CORPORATION**,
Nobeoka-shi, Miyazaki (JP)
(72) Inventors: **Takashi Nasu**, Nobeoka (JP);
Nobuyuki Matsukuma, Fukuoka-ken
(JP)
(73) Assignee: **ASAHI YUKIZAI CORPORATION**,
Nobeoka-Shi, Miyazaki (JP)

D251,383 S * 3/1979 Hansen D23/244
4,685,611 A * 8/1987 Scobie F16L 23/02
251/306
4,699,357 A * 10/1987 Sisk F16K 27/0218
251/306
8,651,452 B2 * 2/2014 Hemman F16K 35/025
251/107

(**) Term: **15 Years**
(21) Appl. No.: **29/651,452**
(22) Filed: **Aug. 16, 2018**

FOREIGN PATENT DOCUMENTS

JP H11230372 A 8/1999
JP H11270702 A 10/1999
JP 2000337547 A 12/2000

(30) **Foreign Application Priority Data**
Feb. 16, 2018 (JP) 2018-003230
(51) **LOC (12) Cl.** **23-01**
(52) **U.S. Cl.**
USPC **D23/244**
(58) **Field of Classification Search**
USPC D23/233-250, 252; 137/315.15, 15.18,
137/625.46, 239, 385; D8/28; 251/118,
251/109, 288, 285, 214, 283, 305, 306,
251/173
CPC F16K 31/602; F16K 31/60; F16K 35/10;
F16K 31/605; F16K 27/0218
See application file for complete search history.

OTHER PUBLICATIONS

U.S. Appl. No. 29/651,447, filed Aug. 16, 2018, Nasu.

* cited by examiner

Primary Examiner — Gino Colan
(74) *Attorney, Agent, or Firm* — Buchanan Ingersoll &
Rooney PC

(56) **References Cited**

U.S. PATENT DOCUMENTS

3,485,476 A * 12/1969 Hemphill F16K 1/222
251/283
3,815,869 A * 6/1974 Smith F16K 1/226
251/306
3,904,173 A * 9/1975 Naylor F16K 1/2265
251/306
D251,255 S * 3/1979 Hansen D23/244

(57) **CLAIM**

The ornamental design for a butterfly valve, as shown and described.

DESCRIPTION

FIG. 1 is a front view of a butterfly valve showing our new design;
FIG. 2 is a rear view thereof;
FIG. 3 is a top plan view thereof;
FIG. 4 is a bottom plan view thereof;
FIG. 5 is a left side view thereof;
FIG. 6 is a right side view thereof;
FIG. 7 is a front perspective view thereof; and,
FIG. 8 is a rear perspective view thereof.
The broken lines in the drawings are for the purpose of illustrating portions of the butterfly valve which form no part of the claimed design.

1 Claim, 6 Drawing Sheets

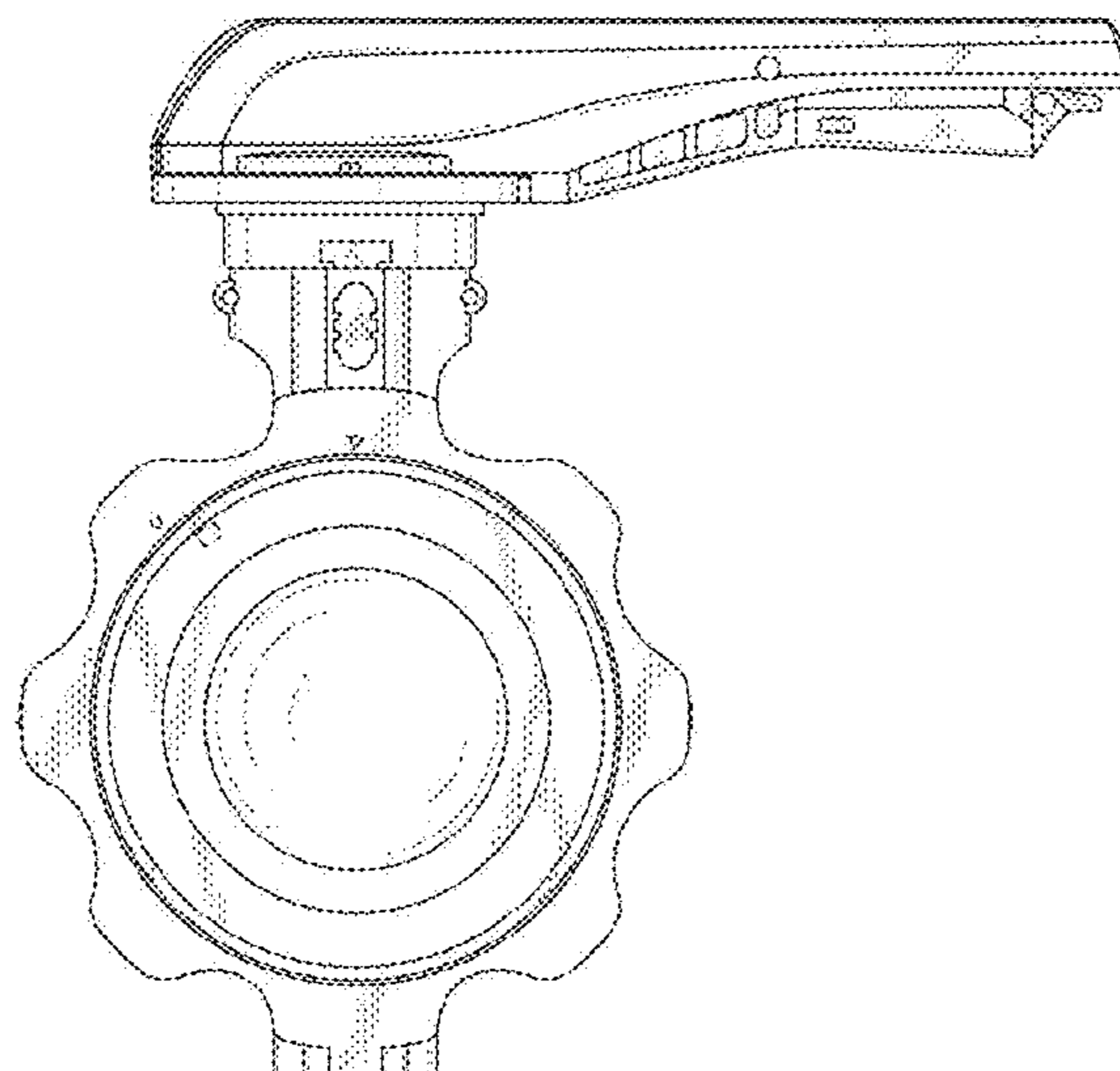


FIG. 1

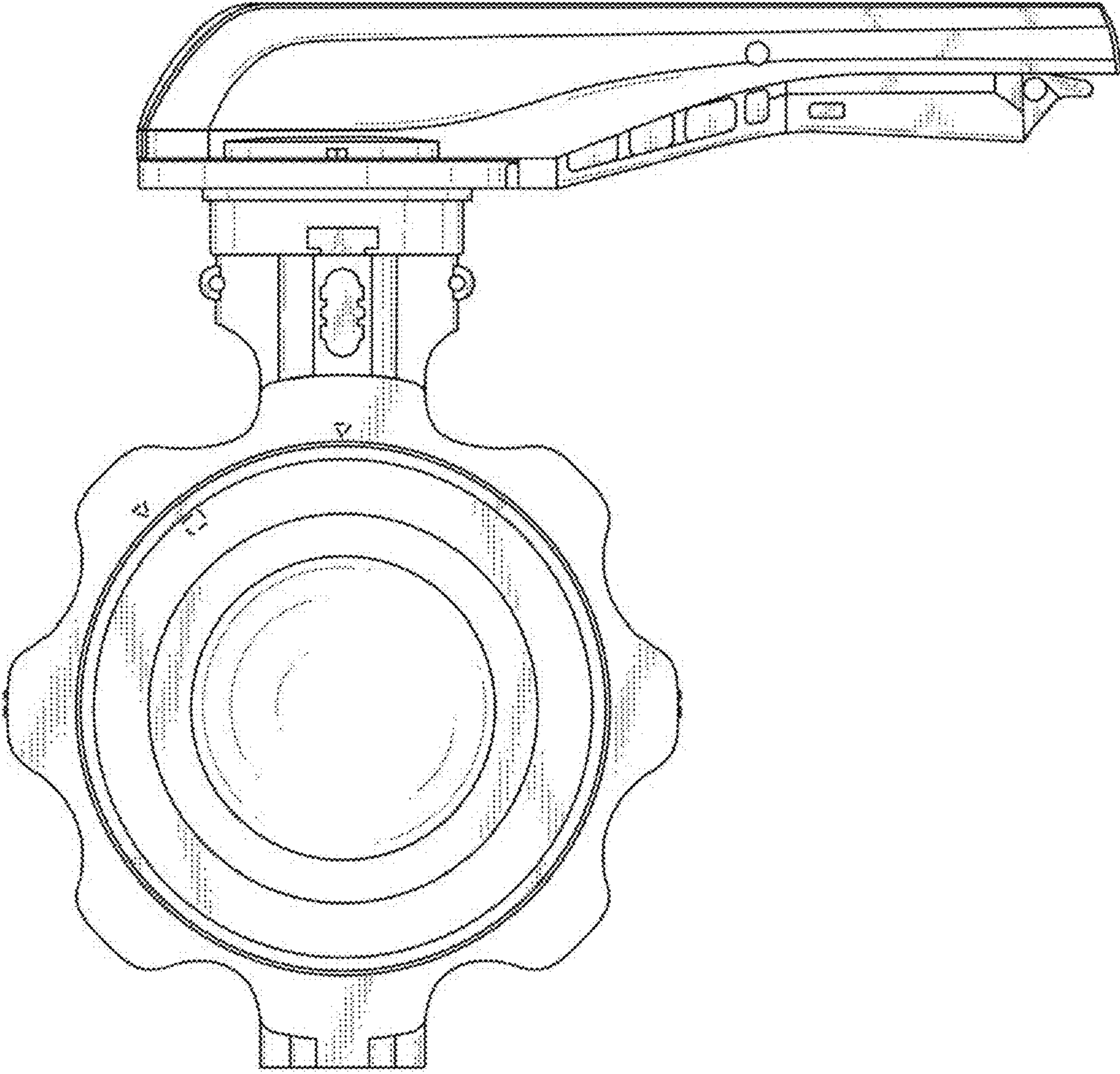


FIG. 2

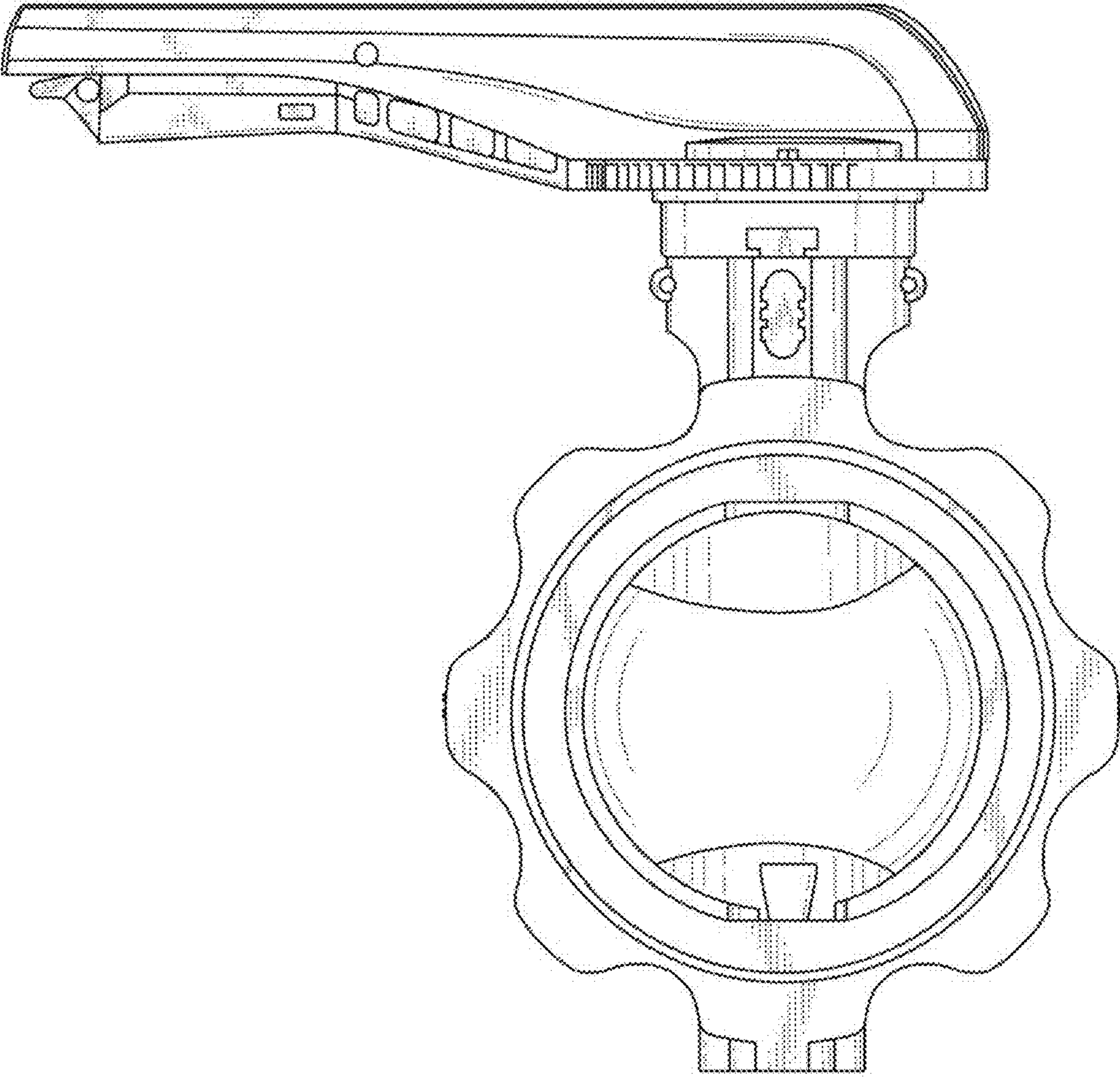


FIG. 3

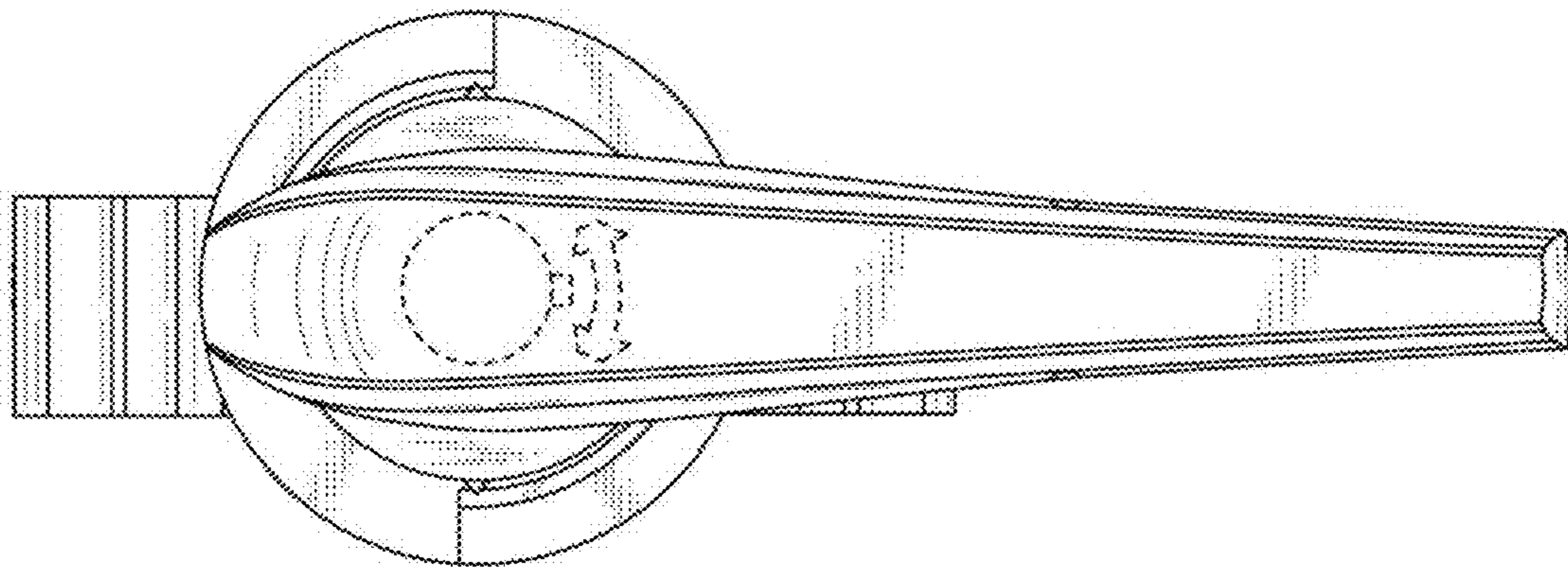


FIG. 4

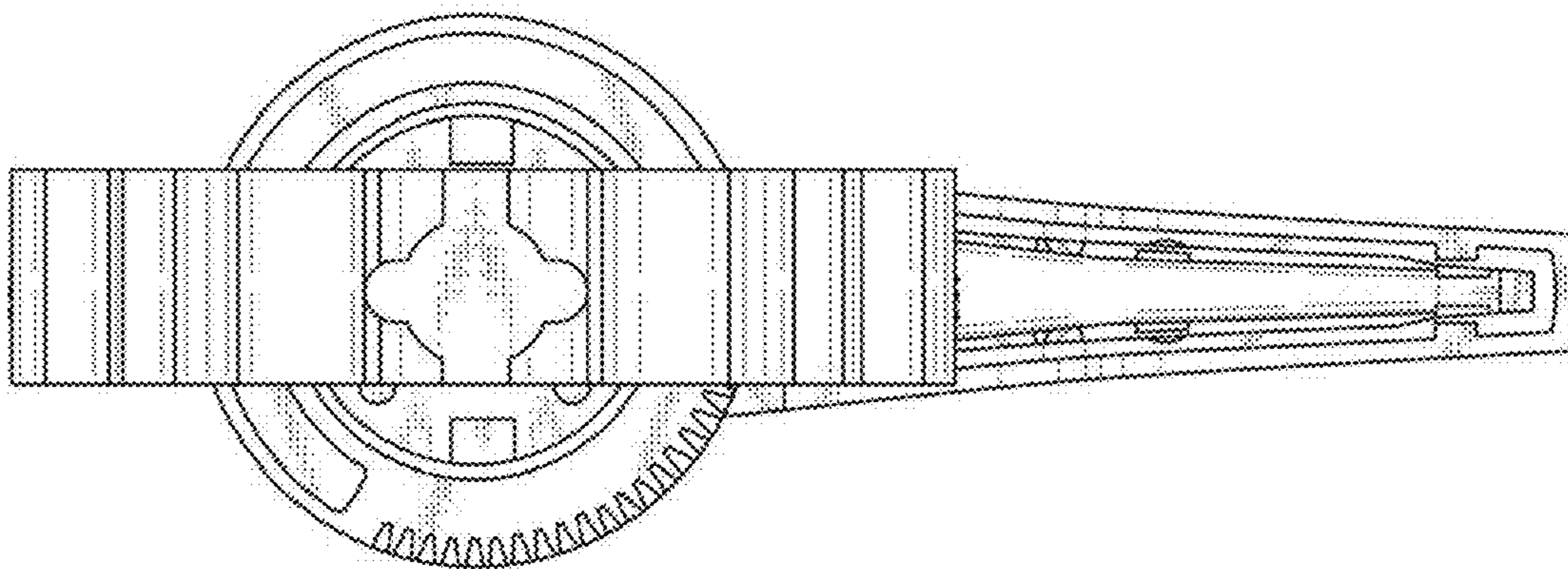


FIG. 5

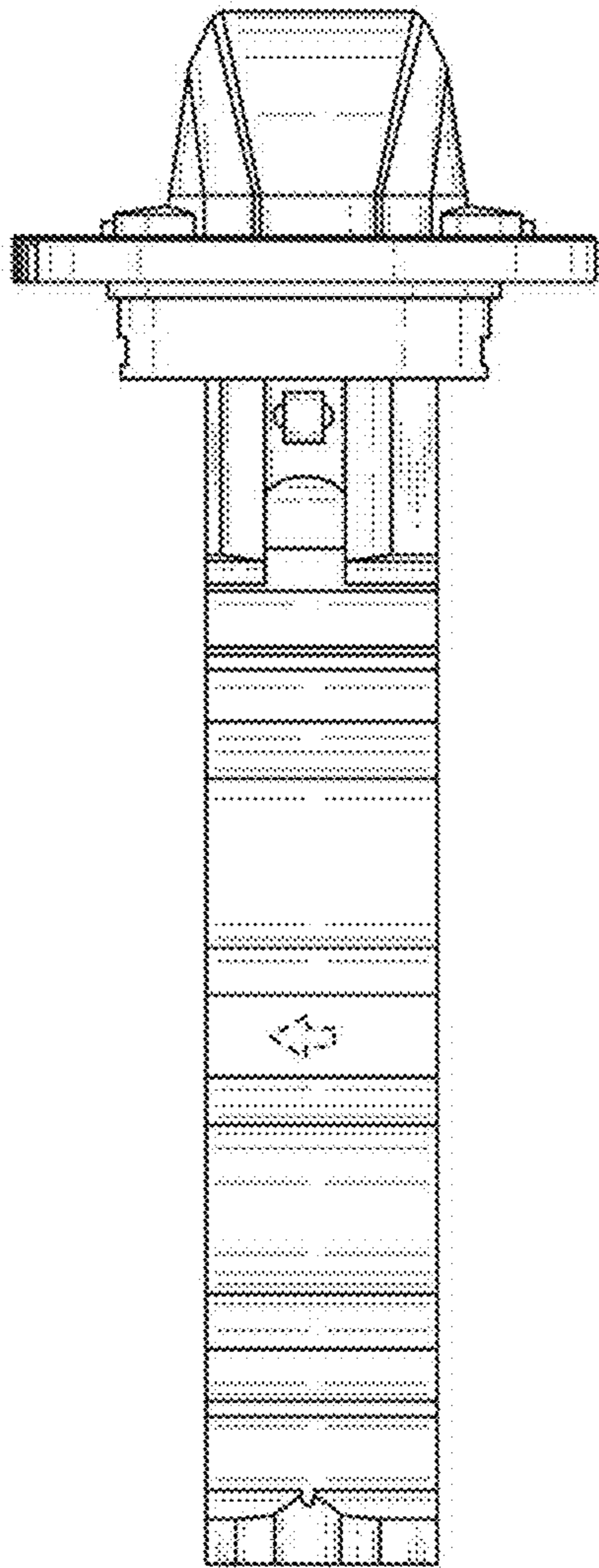


FIG. 6

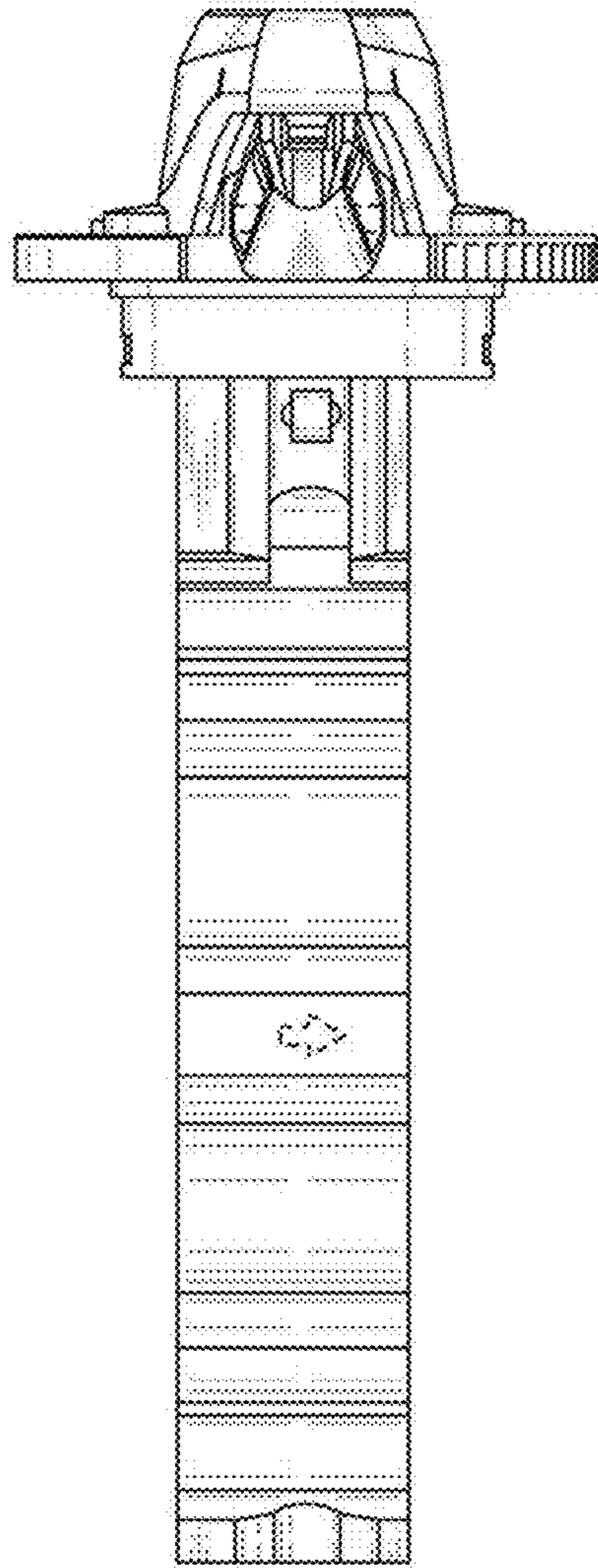


FIG. 7

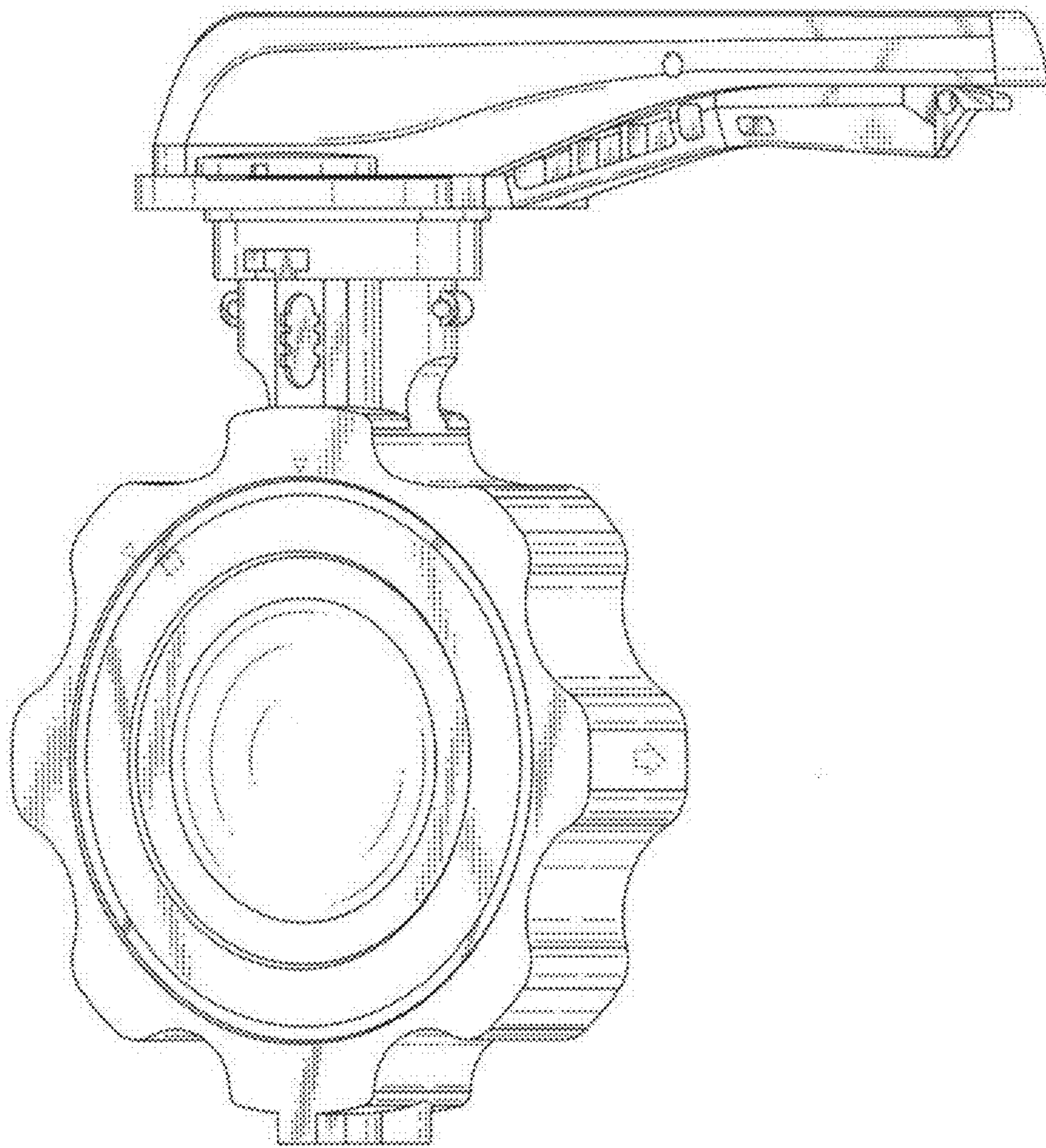


FIG. 8

