



US00D873964S

(12) **United States Design Patent** (10) **Patent No.:** **US D873,964 S**
Soulier et al. (45) **Date of Patent:** **** Jan. 28, 2020**

- (54) **FAUCET**
- (71) Applicant: **Kohler Co.**, Kohler, WI (US)
- (72) Inventors: **Jean-Hugues Soulier**, Paris (FR);
Ferran Serra Sola, Paris (FR); **Gaetan Wangon**, Merfy (FR)
- (73) Assignee: **KOHLER CO.**, Kohler, WI (US)
- (**) Term: **15 Years**
- (21) Appl. No.: **29/701,943**
- (22) Filed: **Aug. 15, 2019**

- D514,200 S 1/2006 Starck
- D530,783 S 10/2006 Bayer
- D531,267 S 10/2006 Hundley
- D555,771 S 11/2007 Noth
- D560,758 S 1/2008 Heck
- D623,275 S 9/2010 Rubin et al.
- D636,062 S 4/2011 Rubin et al.
- D652,898 S 1/2012 Flowers
- D683,824 S 6/2013 Eilmus
- D694,366 S 11/2013 Hahn et al.
- D696,750 S 12/2013 Standefer
- D697,590 S 1/2014 Standefer
- D704,802 S 5/2014 Hahn et al.

(Continued)

Primary Examiner — Robert A Delehanty
 (74) *Attorney, Agent, or Firm* — Foley & Lardner LLP

Related U.S. Application Data

- (62) Division of application No. 29/637,174, filed on Feb. 14, 2018, now Pat. No. Des. 867,536.
- (51) **LOC (12) Cl.** **23-01**
- (52) **U.S. Cl.**
USPC **D23/238**
- (58) **Field of Classification Search**
USPC D23/238–243, 249, 255, 257; D8/305,
D8/311–312; D9/556, 569, 681;
D14/440; D5/56, 2, 58, 60
See application file for complete search history.

References Cited

U.S. PATENT DOCUMENTS

- D65,415 S 8/1924 Marple
- D325,771 S 4/1992 Di Maggio
- D339,629 S 9/1993 Gottwald
- D419,643 S 1/2000 Gottwald
- D444,851 S 7/2001 Sturgeon
- D457,941 S 5/2002 Lobermeier
- D471,254 S 3/2003 Bonnell et al.
- D475,270 S 6/2003 Loyd
- D491,633 S 6/2004 Ouyoung
- D493,211 S 7/2004 Fraser

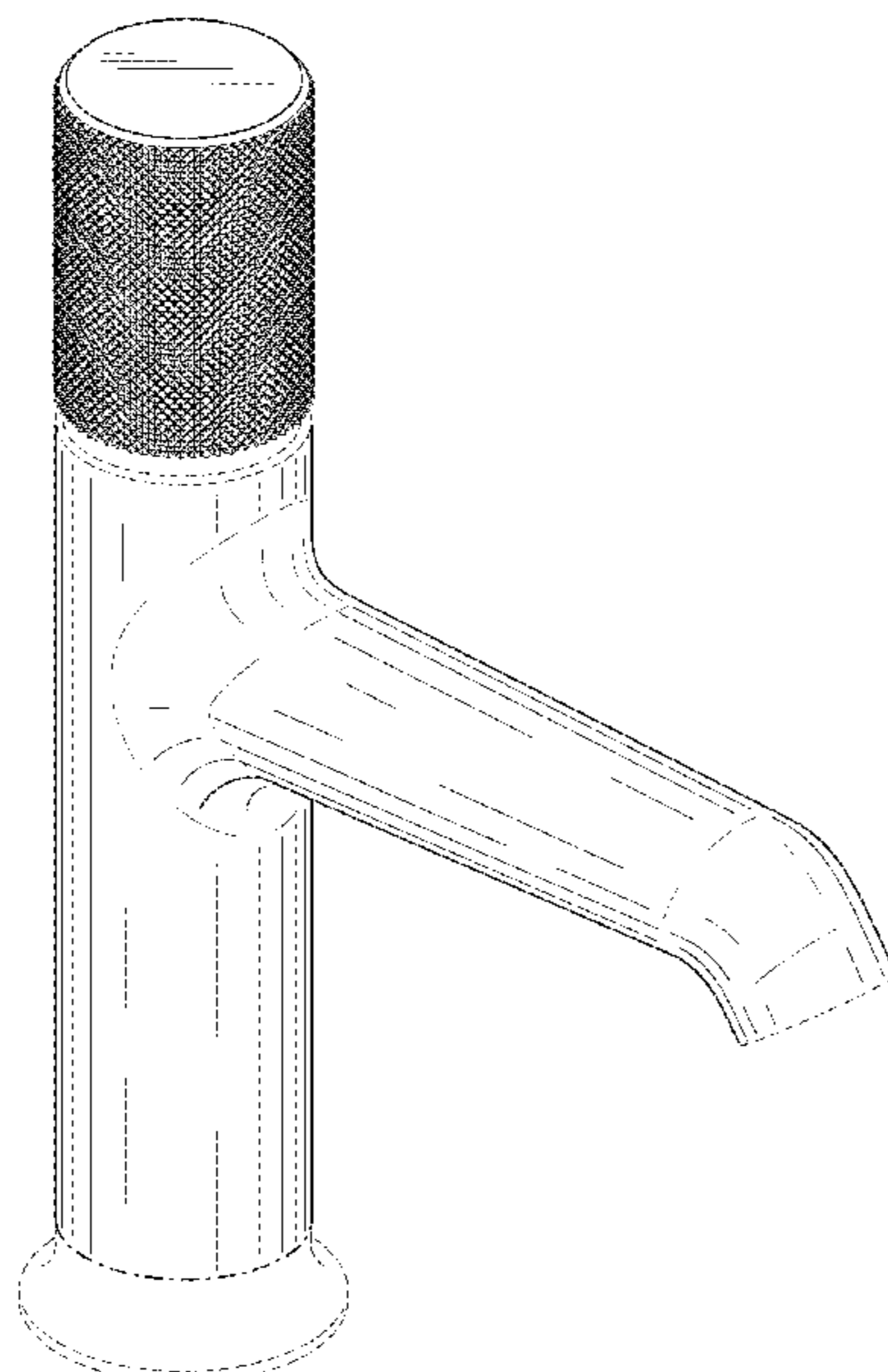
(57) **CLAIM**

We claim the ornamental design for a faucet, as shown and described.

DESCRIPTION

FIG. 1 is a perspective view of an embodiment of the claimed design;
 FIG. 2 is a front view of the embodiment of FIG. 1;
 FIG. 3 is a rear view of the embodiment of FIG. 1;
 FIG. 4 is a side view of the embodiment of FIG. 1;
 FIG. 5 is another side view of the embodiment of FIG. 1;
 FIG. 6 is a top view of the embodiment of FIG. 1;
 FIG. 7 is a bottom view of the embodiment of FIG. 1; and,
 FIG. 8 is a partial detail view of the embodiment of FIG. 1.
 The ornamental design which is claimed is shown in solid lines in the drawings. The broken lines in the drawings are for illustrative purposes only and form no part of the claimed design. Broken lines formed by equal length dashes show unclaimed subject matter. Broken lines formed by unequal length dashes (i.e., dash-dot) define bounds of the claimed design.

1 Claim, 6 Drawing Sheets



(56)

References Cited

U.S. PATENT DOCUMENTS

D717,918 S	11/2014	Standefer
D794,884 S	8/2017	Ayers
D801,485 S	10/2017	Kirar et al.
D802,100 S	11/2017	Kirar et al.
D802,101 S	11/2017	Kirar et al.
D813,986 S	3/2018	Schoenherr
D829,527 S	10/2018	Kang
D834,394 S	11/2018	Kang
10,233,617 B1	3/2019	He
D846,701 S	4/2019	Liu
D846,702 S	4/2019	Liu

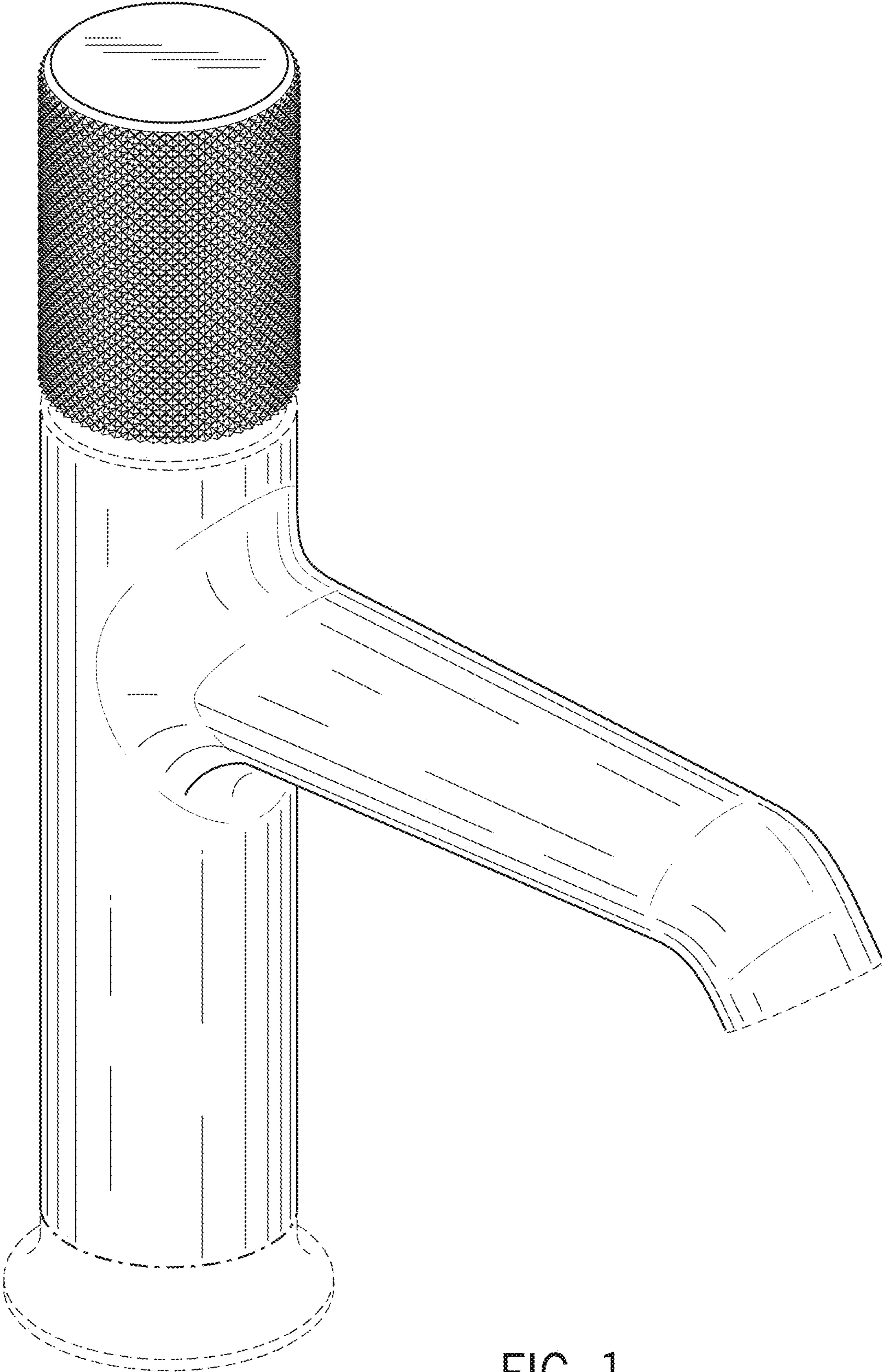


FIG. 1

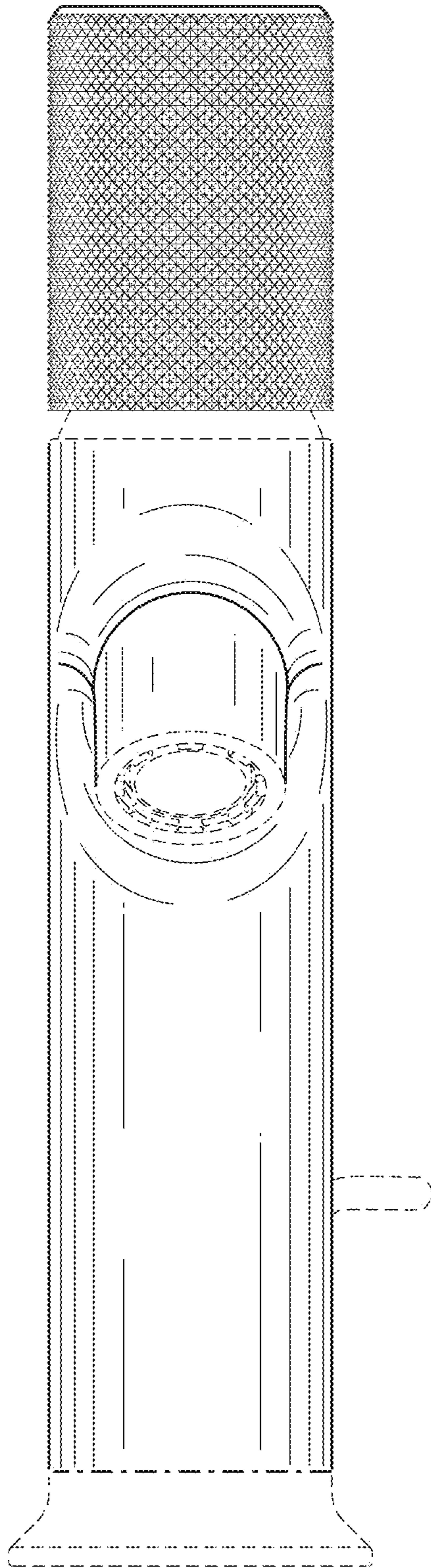


FIG. 2

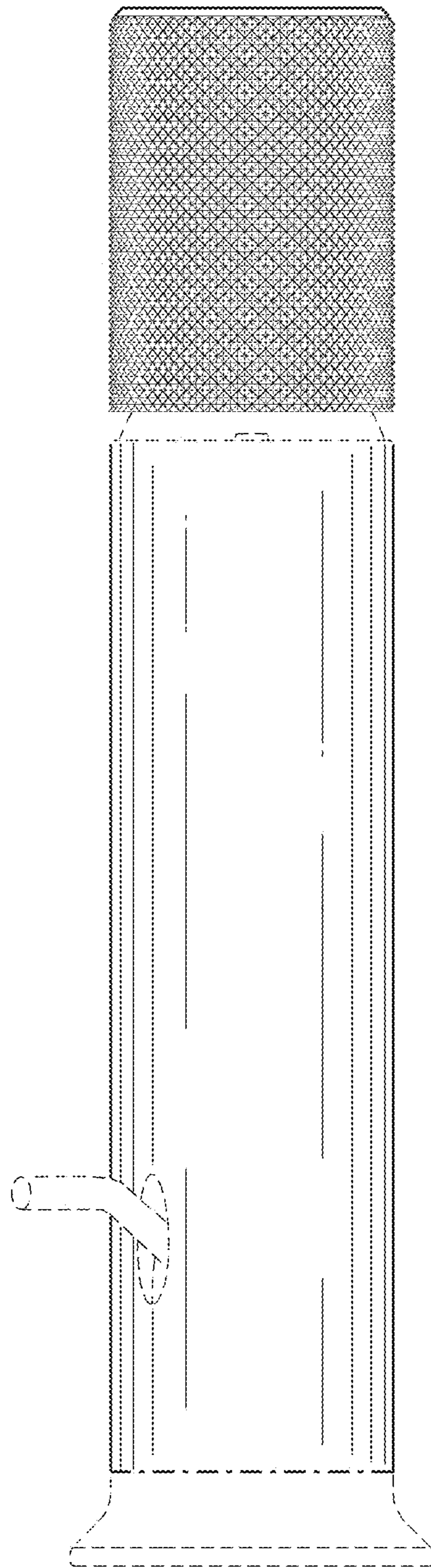


FIG. 3

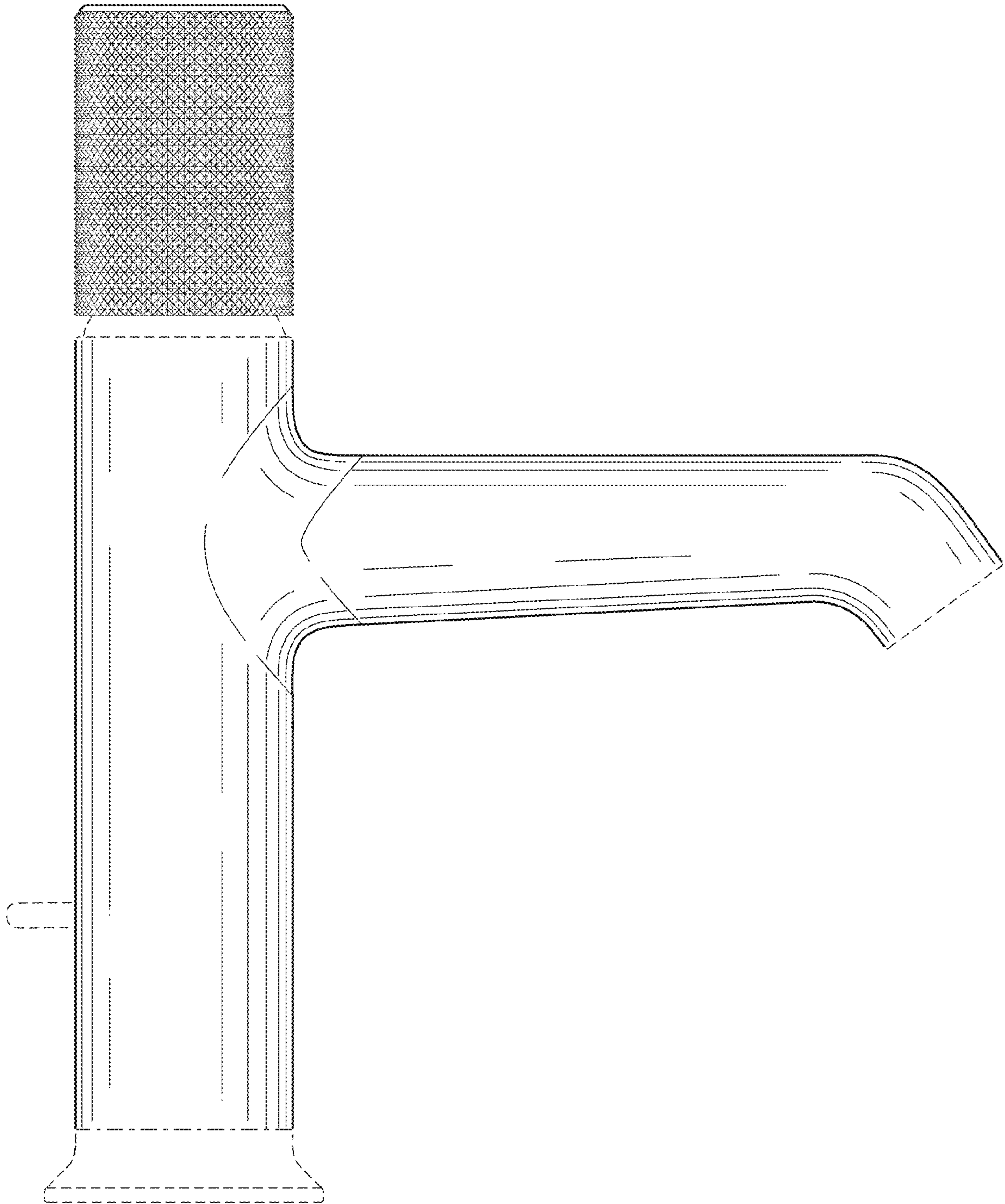


FIG. 4

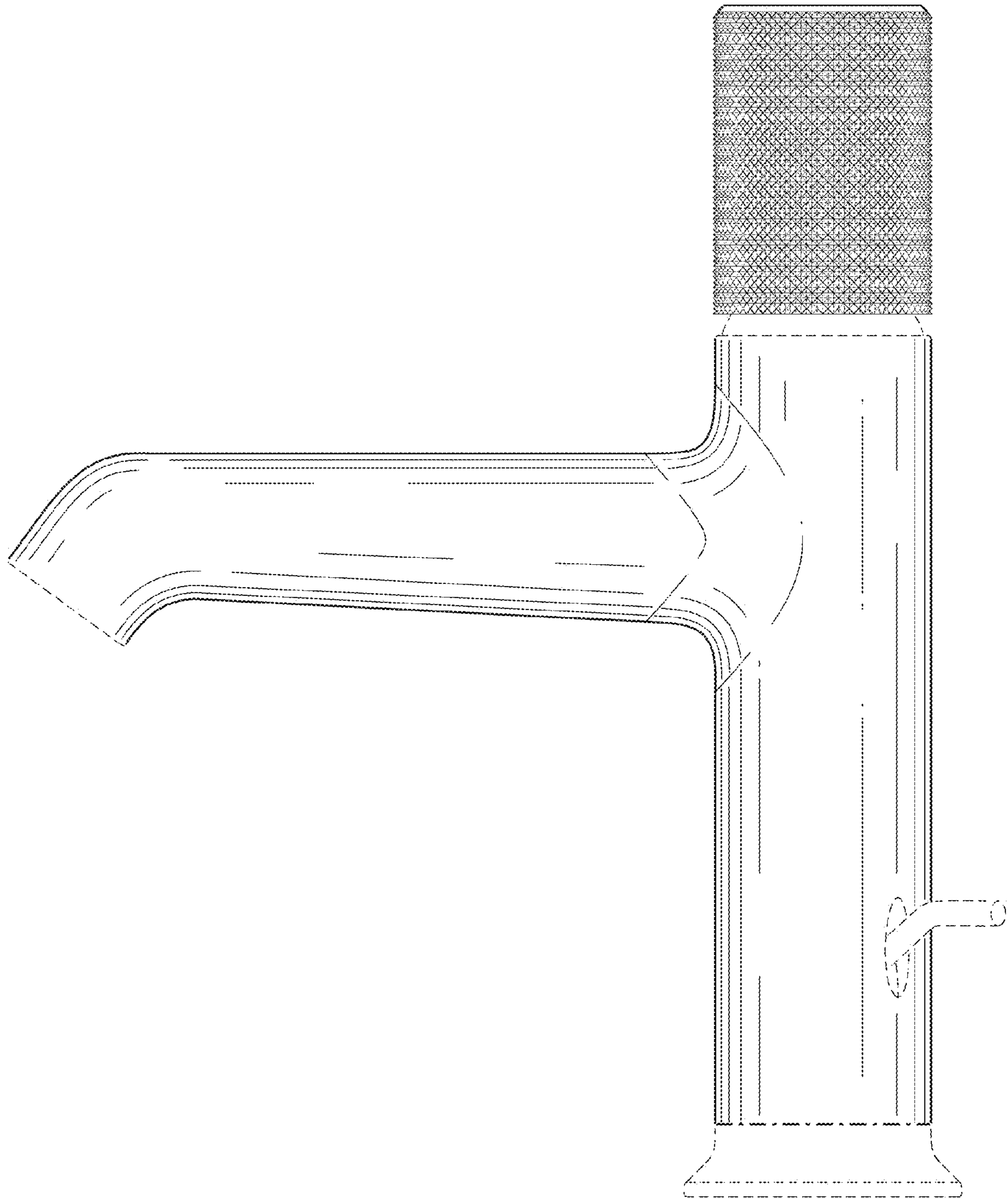


FIG. 5

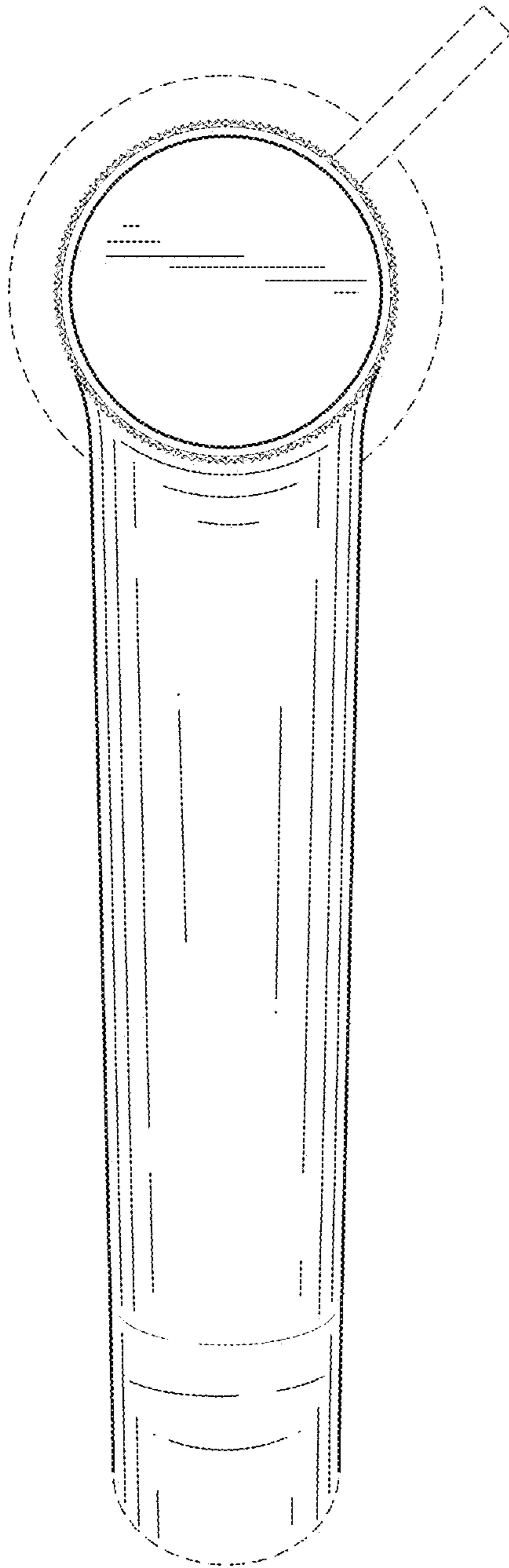


FIG. 6

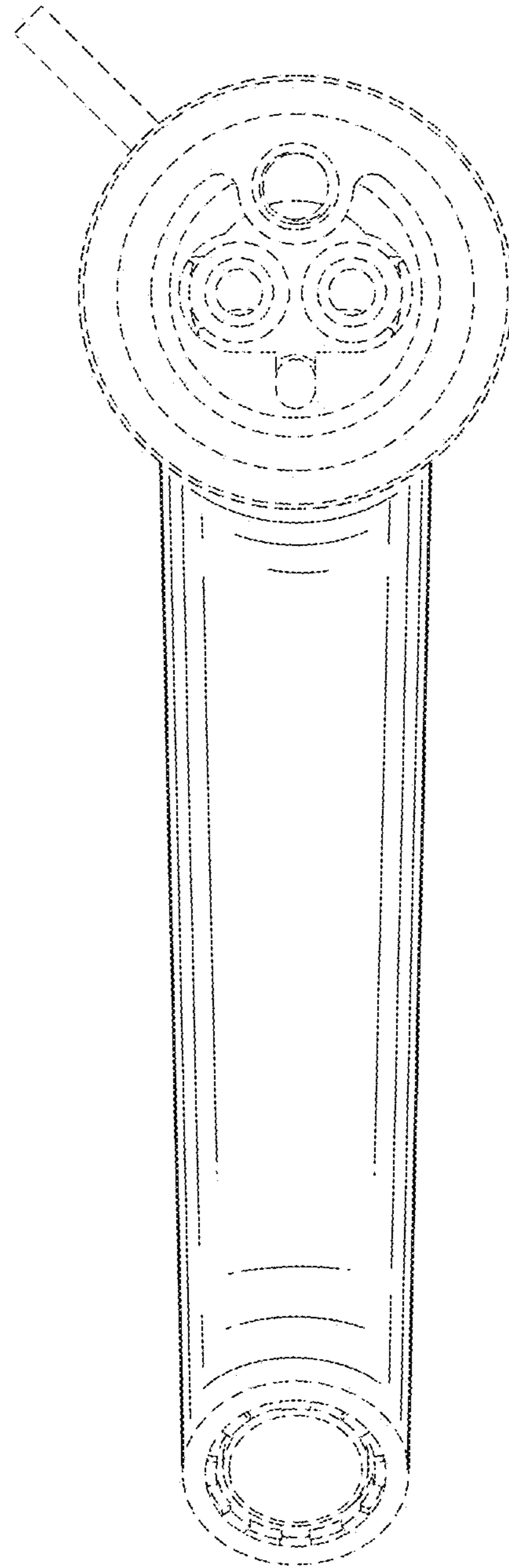


FIG. 7

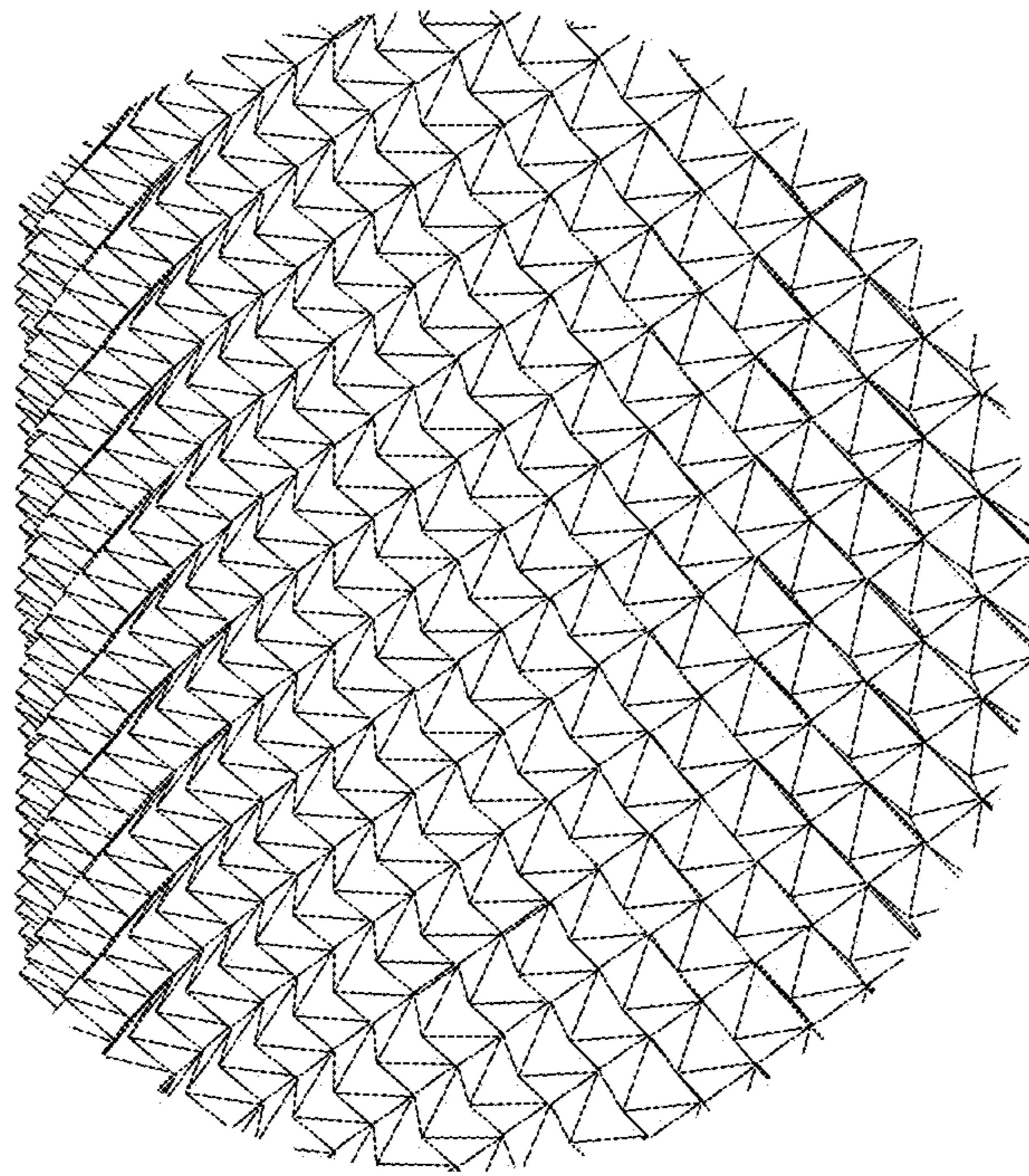


FIG. 8