



US00D873963S

(12) **United States Design Patent** (10) **Patent No.:** **US D873,963 S**
Liu (45) **Date of Patent:** **** Jan. 28, 2020**

(54) **WALL OUTLET**
(71) Applicant: **Phoenix Industries Pty Ltd,**
Bayswater, Victoria (AU)
(72) Inventor: **Ban Hsi Liu,** Bayswater (AU)
(73) Assignee: **Phoenix Industries Pty Ltd.,**
Bayswater (AU)

D580,525 S 11/2008 Citterio
D582,009 S 12/2008 Citterio
D601,229 S 9/2009 Schoenherr et al.
D617,425 S * 6/2010 Lammel D23/255
D618,765 S 6/2010 Wang
D635,221 S 3/2011 Rubin
D636,065 S * 4/2011 Schoenherr D23/255
D641,072 S * 7/2011 Flowers D23/255
D647,176 S * 10/2011 Liao D23/238
D647,179 S * 10/2011 Flowers D23/255

(Continued)

(**) Term: **15 Years**

FOREIGN PATENT DOCUMENTS

(21) Appl. No.: **29/682,692**
(22) Filed: **Mar. 7, 2019**

AU 308198 7/2006
AU 308199 7/2006

(Continued)

(30) **Foreign Application Priority Data**

OTHER PUBLICATIONS

Sep. 17, 2018 (AU) 201815565
(51) **LOC (12) Cl.** **23-01**
(52) **U.S. Cl.**
USPC **D23/238**
(58) **Field of Classification Search**
USPC D23/238, 255, 242, 239
CPC E03C 1/04; E03C 1/0401; E03C 1/0402;
E03C 1/0404; F16K 31/602; F16K
31/605

TOI Basin Mixer, Phoenix Tapware, Showers & Accessories, <http://www.phoenixtapware.com.au/products/toi-hasin-mixer>, known at least as early as Oct. 25, 2016, 3 pgs.

(Continued)

See application file for complete search history.

Primary Examiner — Rhea Shields
(74) *Attorney, Agent, or Firm* — Womble Bond Dickinson (US) LLP

(57) **CLAIM**

The ornamental design for a wall outlet, as shown and described.

(56) **References Cited**

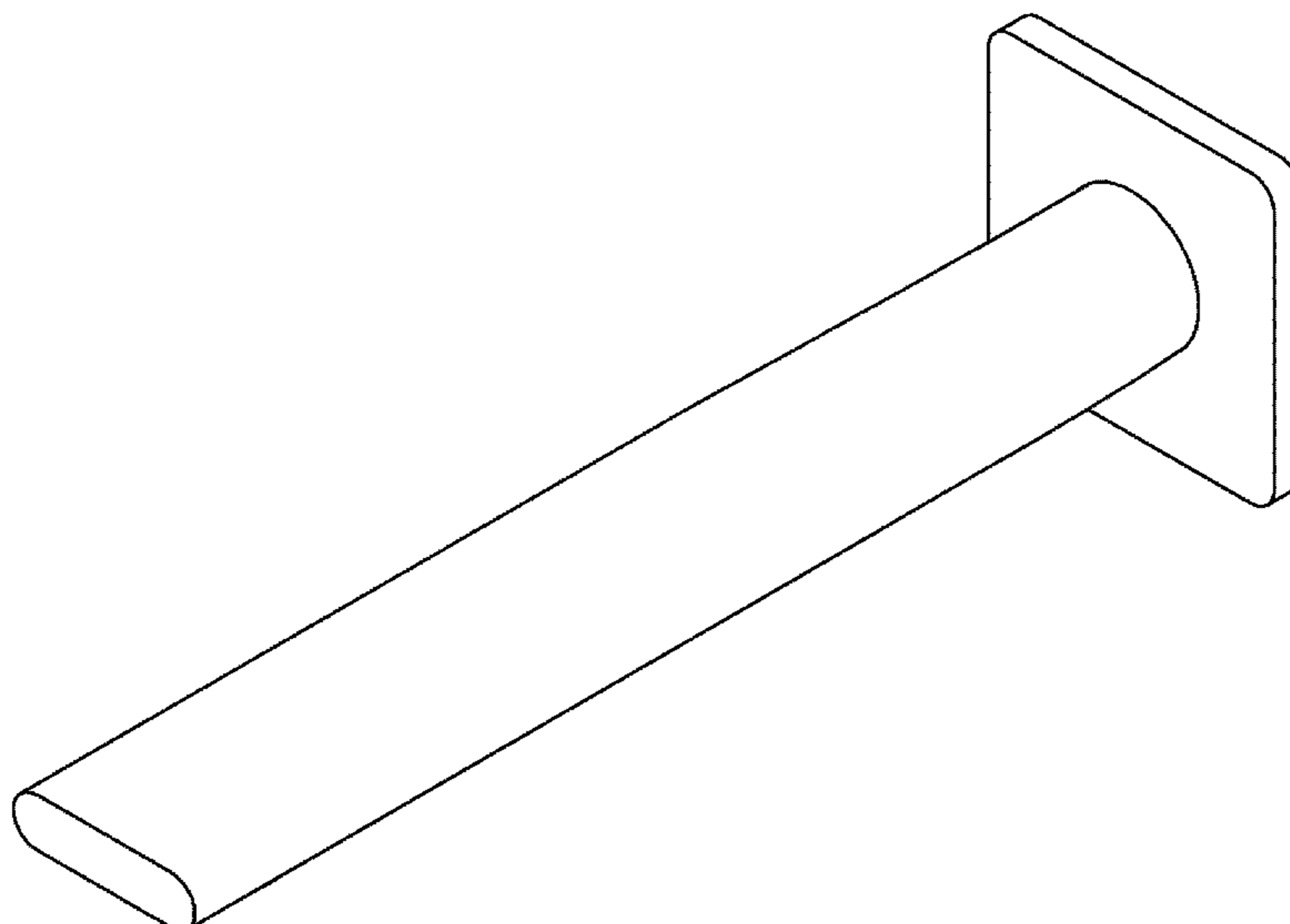
DESCRIPTION

U.S. PATENT DOCUMENTS

D441,851 S 5/2001 Starck
D466,979 S 12/2002 Shulz
D481,445 S 10/2003 Haug
D492,011 S 6/2004 Blattner
D525,342 S 7/2006 Starck
D527,807 S * 9/2006 Haug D23/255
D532,866 S 11/2006 Kirar
D533,924 S 12/2006 Kirar
D548,308 S 8/2007 Hoernig
D575,848 S 8/2008 Kirar
D577,418 S 9/2008 Lammel

FIG. 1 is a perspective view of a wall outlet according to my new design;
FIG. 2 is a right side view thereof, the left side view being a mirror image thereof;
FIG. 3 is a top view thereof;
FIG. 4 is a bottom view thereof; and,
FIG. 5 is a front view thereof.

1 Claim, 2 Drawing Sheets



(56)

References Cited

U.S. PATENT DOCUMENTS

D647,601 S * 10/2011 Liao D23/242
 D659,167 S 5/2012 Cocks
 D665,479 S 8/2012 Cocks
 D685,878 S 7/2013 Fritz
 D697,588 S 1/2014 Schoenherr
 D704,304 S 5/2014 Schoenherr
 D708,714 S 7/2014 Georgeson
 D713,941 S * 9/2014 Hundley D23/255
 D737,936 S 9/2015 Pony
 D739,501 S 9/2015 Flowers
 D740,395 S 10/2015 Flowers
 D757,223 S 5/2016 Schoenherr
 D757,225 S 5/2016 Schoenherr
 D757,903 S 5/2016 Schoenherr
 D767,733 S * 9/2016 Hong D23/255
 D782,013 S * 3/2017 Eads D23/255
 D787,020 S 5/2017 Ziemann
 D791,919 S 7/2017 Schoenherr
 D799,641 S 10/2017 Sieger
 D799,642 S 10/2017 Sieger
 D800,274 S * 10/2017 Andrew D23/255
 D802,101 S 11/2017 Kirar
 D810,238 S * 2/2018 Schoenherr D23/238
 D810,244 S 2/2018 Schoenherr et al.
 D810,890 S * 2/2018 Takayama D23/255
 D811,528 S 2/2018 Schoenherr
 D811,531 S 2/2018 Schoenherr
 D813,986 S 3/2018 Schoenherr
 D813,988 S 3/2018 Schoenherr
 D822,798 S * 7/2018 Sieger D23/255
 D828,511 S 9/2018 Liu et al.
 D828,512 S 9/2018 Liu et al.
 D828,515 S * 9/2018 Seum D23/242
 D828,516 S 9/2018 Liu et al.
 D828,909 S 9/2018 Liu et al.
 D831,164 S 10/2018 Garuti
 D834,683 S * 11/2018 Schoenherr D23/238
 D837,941 S * 1/2019 L'Henaff D23/239
 D839,997 S * 2/2019 Cummings D23/255
 D846,077 S 4/2019 Liu
 D846,079 S * 4/2019 Garland D23/238
 D846,699 S * 4/2019 L'Henaff D23/238
 D846,701 S 4/2019 Liu
 D846,702 S 4/2019 Liu

D855,762 S * 8/2019 Stuart D23/238
 D855,769 S * 8/2019 Eads D23/238
 D856,490 S * 8/2019 Seum D23/242
 D859,588 S * 9/2019 Meyers D23/238
 D859,593 S * 9/2019 Pan D23/242
 D859,602 S * 9/2019 Bahler D23/255
 D860,397 S * 9/2019 Diefenbach D23/238
 D860,406 S * 9/2019 Vish D23/255
 2016/0265201 A1 9/2016 Hoogendoorn et al.

FOREIGN PATENT DOCUMENTS

AU	308201	7/2006
AU	308202	7/2006
AU	314560	6/2007
AU	314563	6/2007
AU	321286	10/2008
AU	328364	11/2009
AU	328365	11/2009
AU	334096	12/2010
AU	336356	5/2011
AU	336357	5/2011
AU	337781	7/2011
AU	337782	7/2011
AU	344493	9/2012
AU	344494	9/2012
AU	350490	8/2013
AU	355991	6/2014
AU	355992	6/2014
AU	355993	6/2014
AU	355994	6/2014
AU	357542	9/2014
AU	357840	9/2014
AU	357842	9/2014
AU	357843	9/2014

OTHER PUBLICATIONS

TOI Wall Basin/Bath Mixer Set, <http://www.phoenixtapware.com.au/toi-wall-basin-mixer.set180mm>, known at least as early as Oct. 25, 2016, 3 pgs.
 TOI Sink Mixer Squareline, Phoenix Tapware, Showers & Accessories, <http://www.phoenixtapware.com.au/toi-sink-mixer-180mm-squareline>, known at least as early as Oct. 25, 2016, 3 pgs.

* cited by examiner

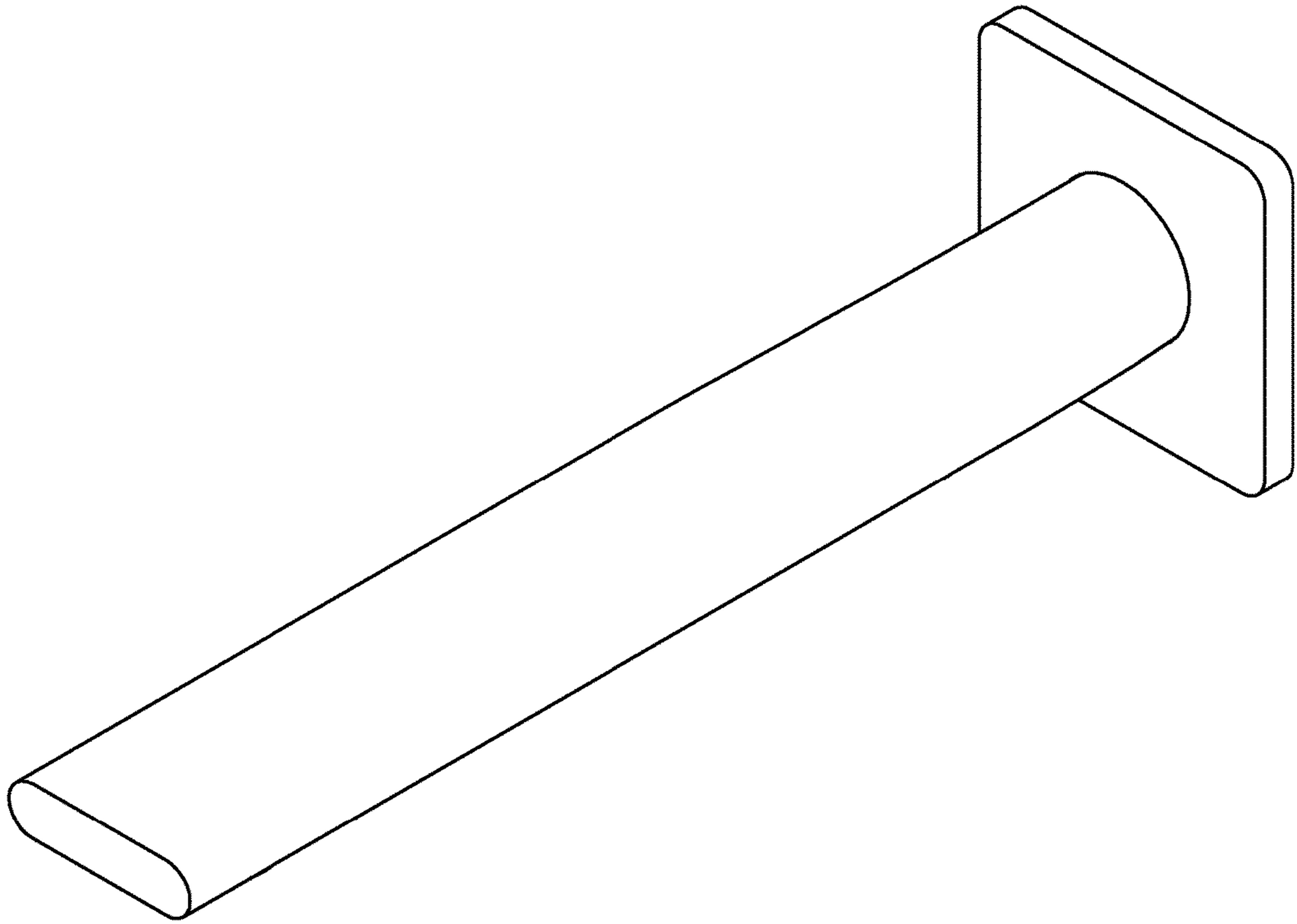


FIG. 1

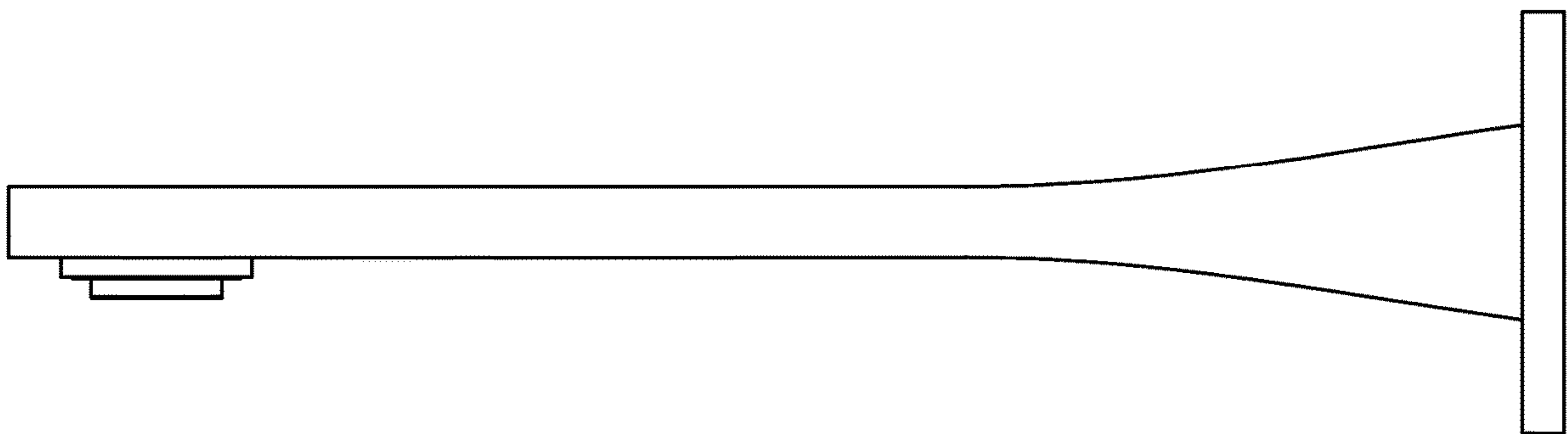


FIG. 2

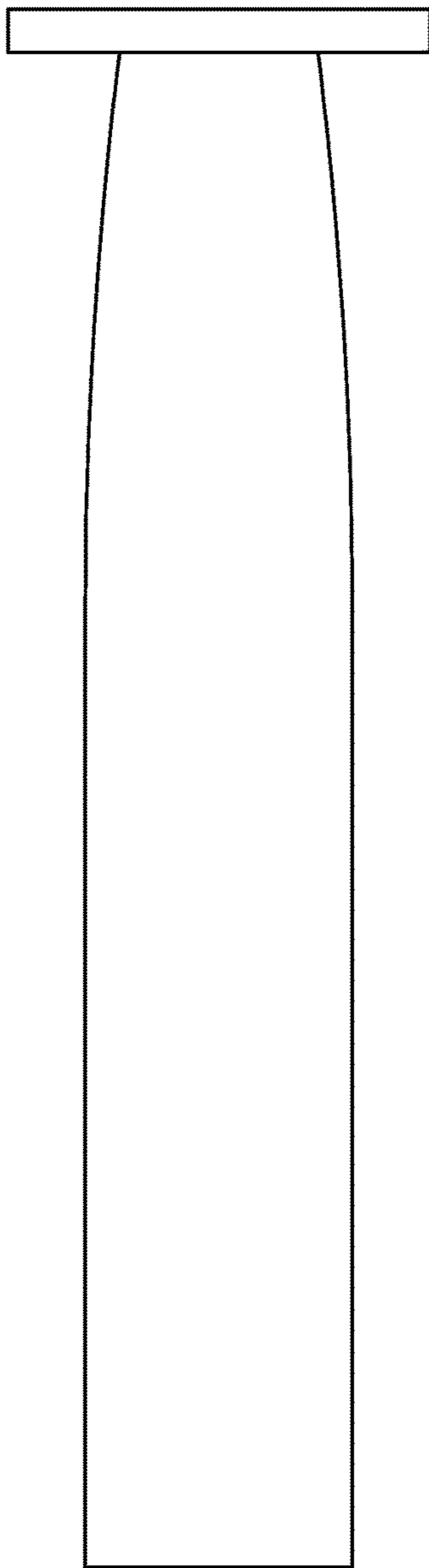


FIG. 3

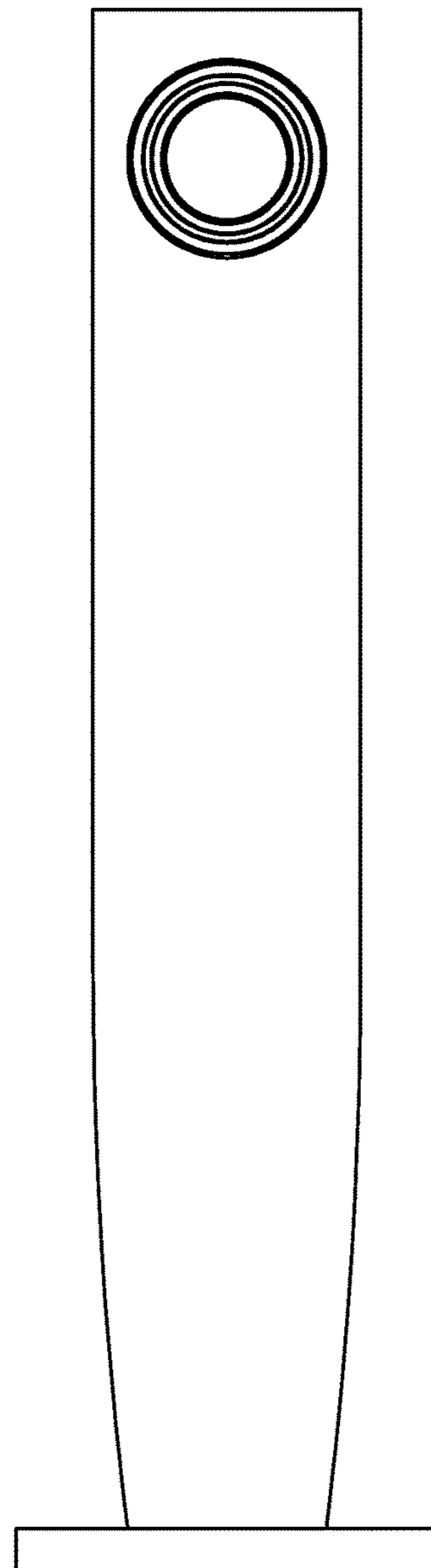


FIG. 4

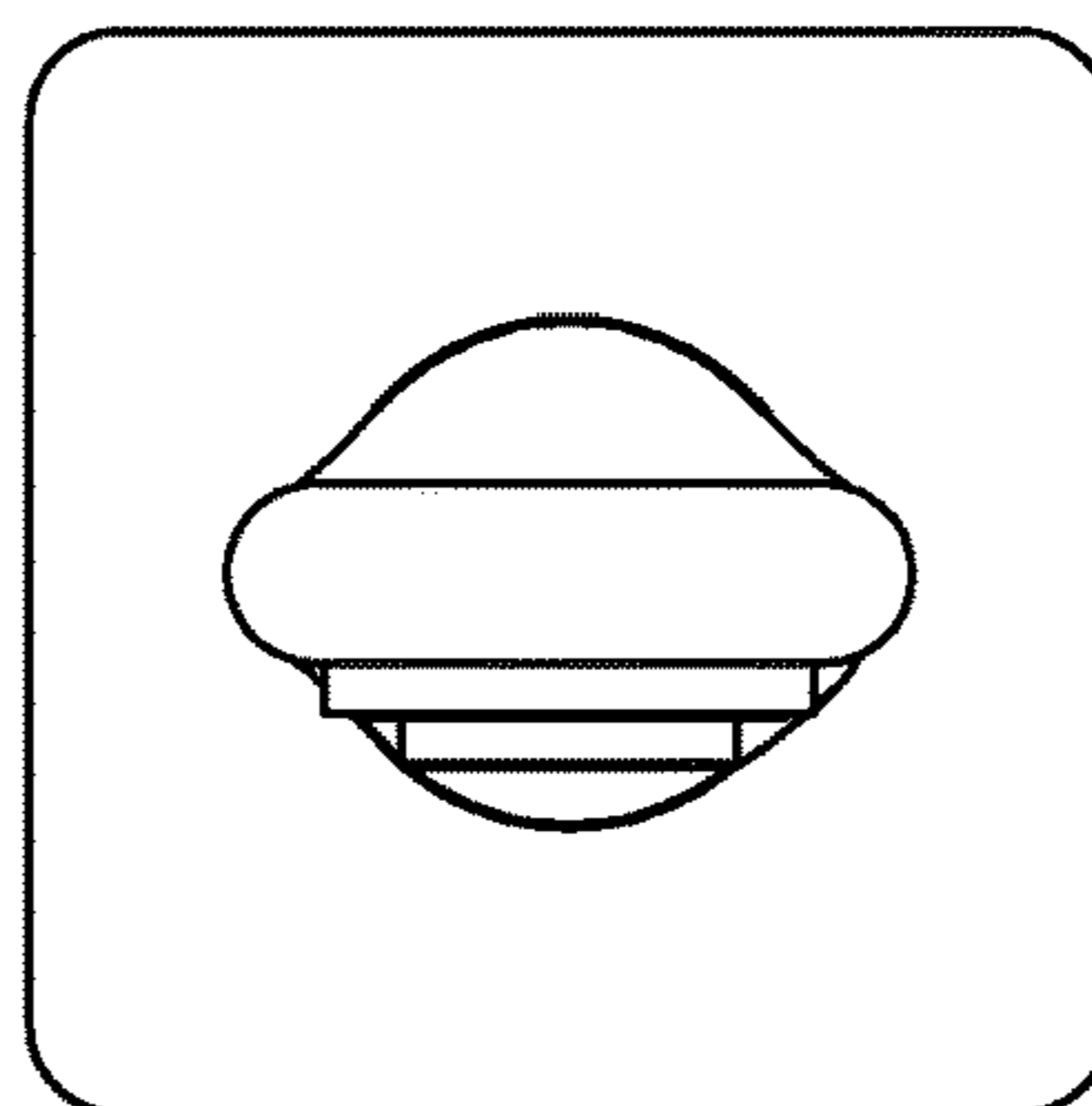


FIG. 5