



US00D873962S

(12) **United States Design Patent**
Fang

(10) **Patent No.:** **US D873,962 S**

(45) **Date of Patent:** **** Jan. 28, 2020**

(54) **WATER FAUCET**

(71) Applicant: **Xiaohua Fang**, Zhejiang (CN)

(72) Inventor: **Xiaohua Fang**, Zhejiang (CN)

(**) Term: **15 Years**

(21) Appl. No.: **29/644,145**

(22) Filed: **Apr. 16, 2018**

(51) **LOC (12) Cl.** **23-01**

(52) **U.S. Cl.**
USPC **D23/238**

(58) **Field of Classification Search**
USPC D23/238-245, 249-250, 252, 254-255,
D23/257; 4/675-678; D8/307-308
CPC Y10T 137/9464
See application file for complete search history.

(56) **References Cited**

U.S. PATENT DOCUMENTS

D581,030 S	*	11/2008	Fritz	D23/255
D586,429 S	*	2/2009	Fritz	D23/238
D594,532 S	*	6/2009	Schoenherr	D23/238
D681,165 S	*	4/2013	Berger	D23/238
D684,667 S	*	6/2013	Yu	D23/238
D685,060 S	*	6/2013	Yu	D23/238
D689,986 S	*	9/2013	Lord	D23/238
D717,401 S	*	11/2014	Fritz	D23/238

D717,402 S	*	11/2014	Fritz	D23/238
D723,138 S	*	2/2015	Ke	D23/238
D827,106 S	*	8/2018	Rexach	D23/255

OTHER PUBLICATIONS

Pfister LF-0420JDKK Brushed Nickel Jaida Waterfall Bathroom Faucet with Push & Seal, Earliest Review Feb. 26, 2015, [Visited Online Feb. 26, 2019], <https://www.build.com/pfister-lf-042-jd/s1196105?uid=2865192#reviews>.*

* cited by examiner

Primary Examiner — Amy C Wierenga

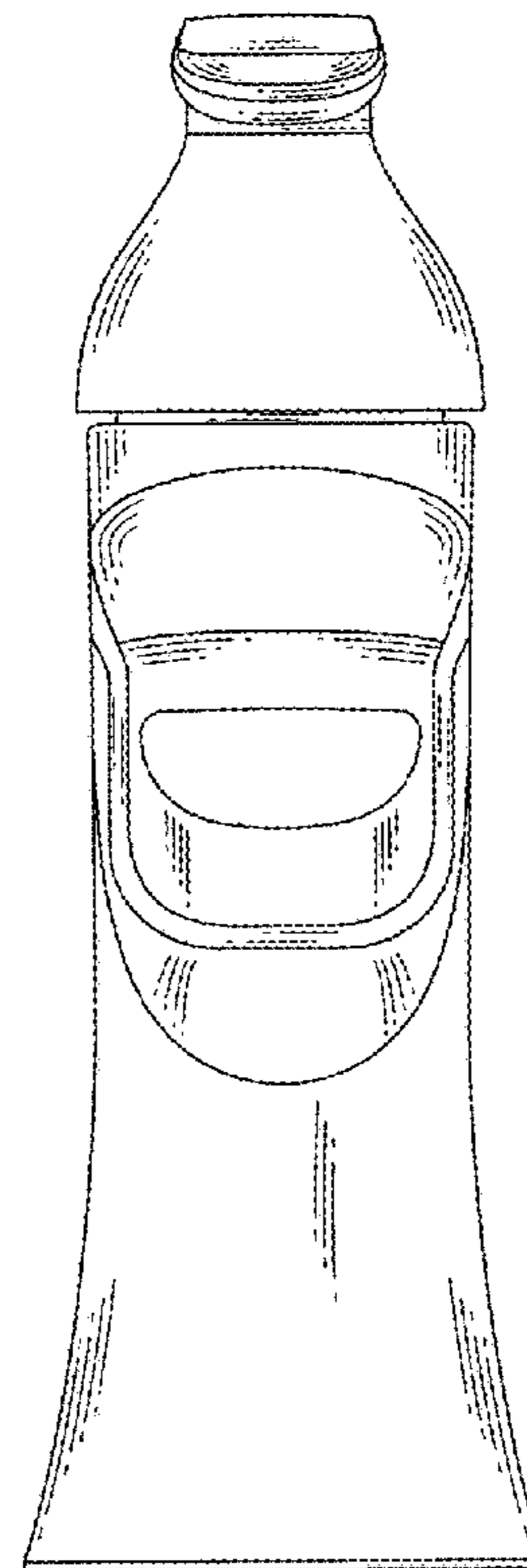
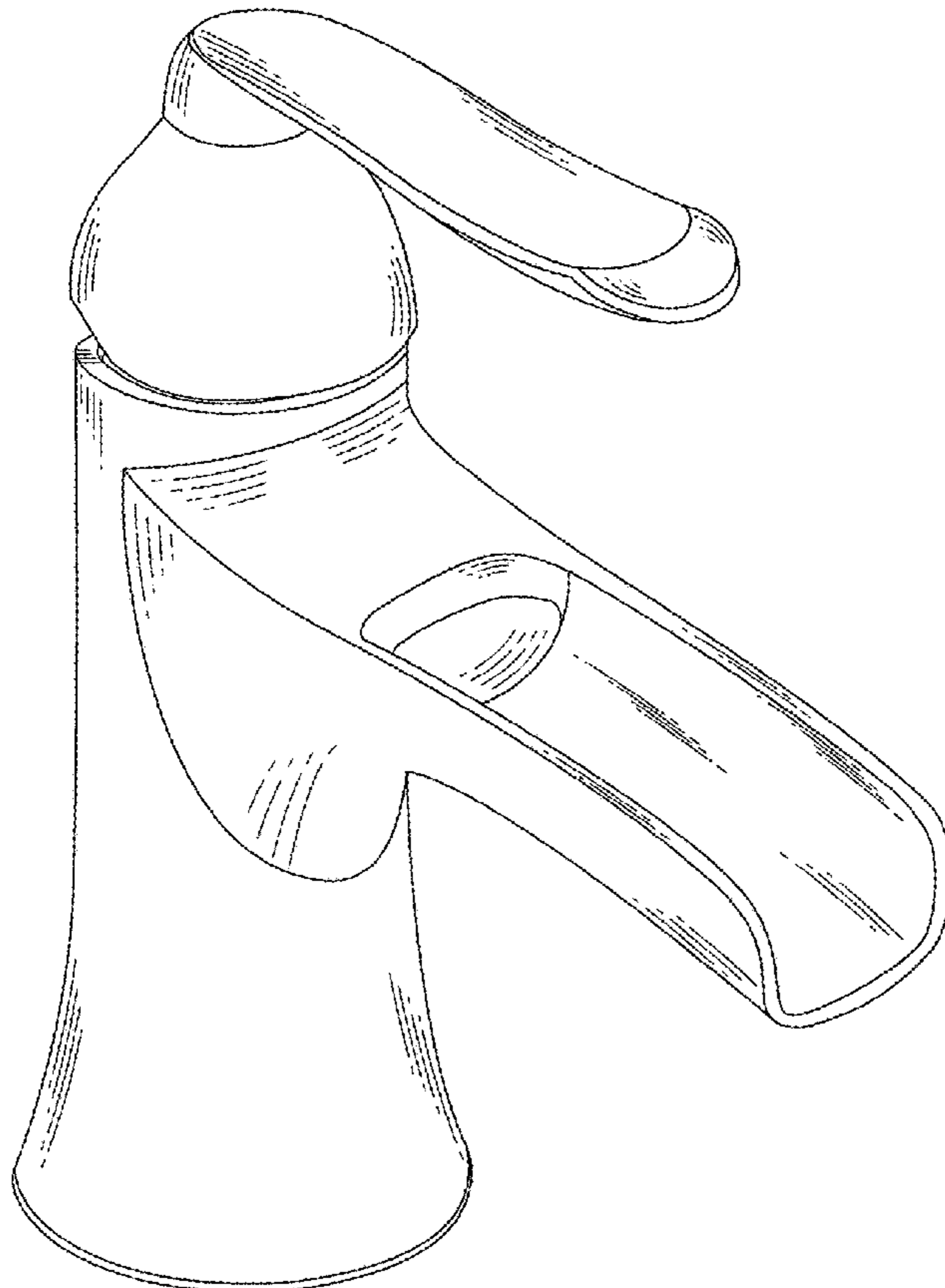
(57) **CLAIM**

I claim the ornamental design for a water faucet, as shown and described.

DESCRIPTION

FIG. 1 is a perspective view of a water faucet showing my new design;
FIG. 2 is a front elevational view thereof;
FIG. 3 is a rear elevational view thereof;
FIG. 4 is a left side elevational view thereof;
FIG. 5 is a right side elevational view thereof;
FIG. 6 is a top plan view thereof; and,
FIG. 7 is a bottom plan view thereof.
The broken lines shown in the drawings illustrate portions of the water faucet that form no part of the claim.

1 Claim, 7 Drawing Sheets



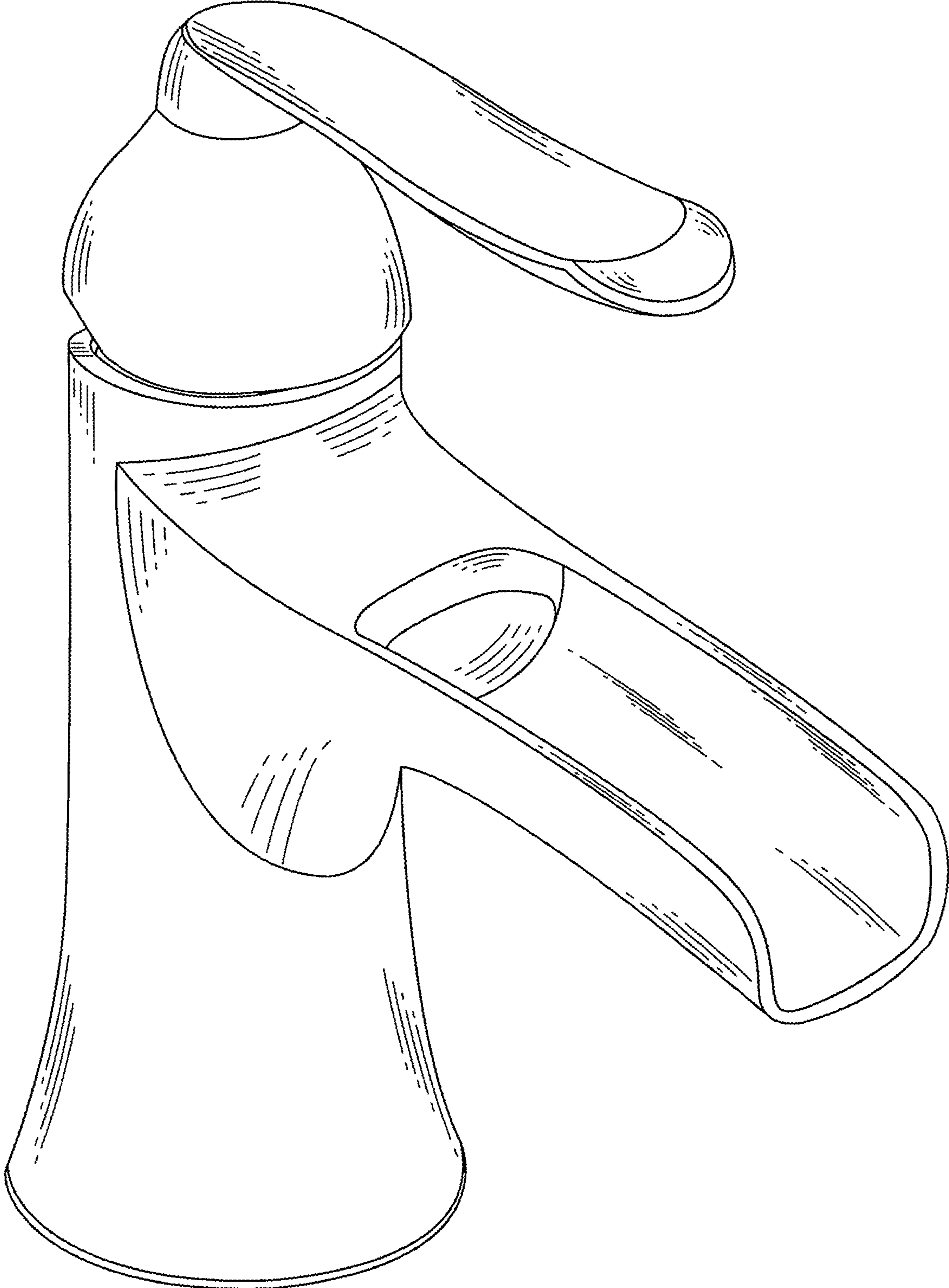


FIG. 1

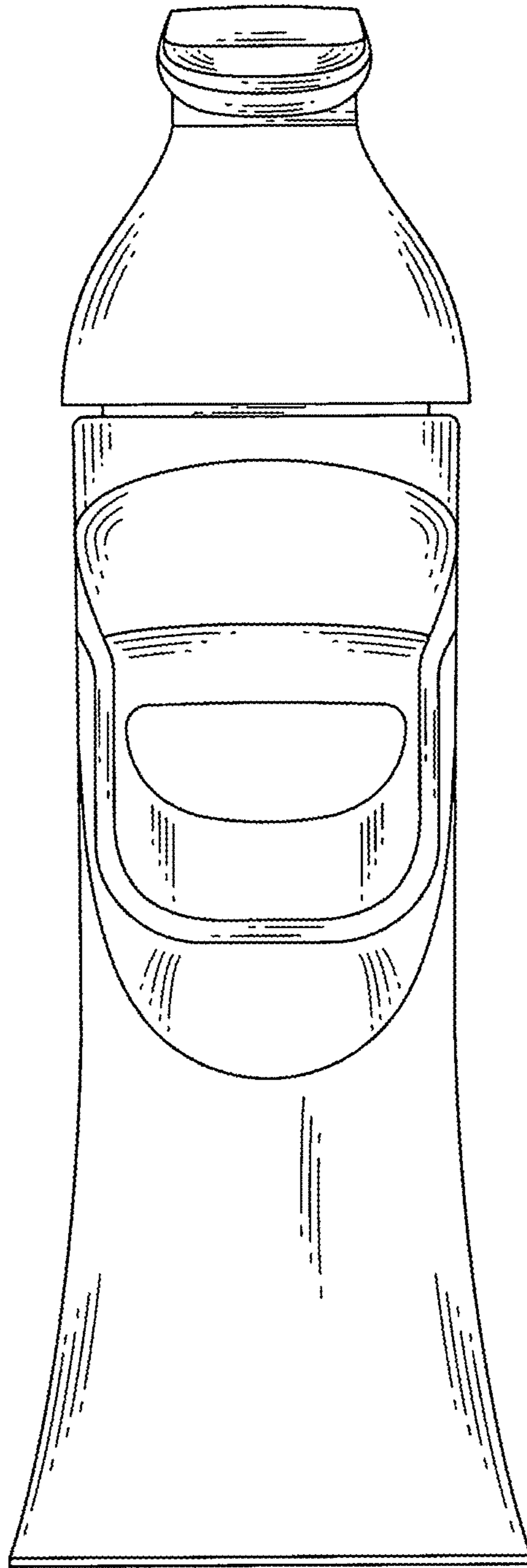


FIG. 2

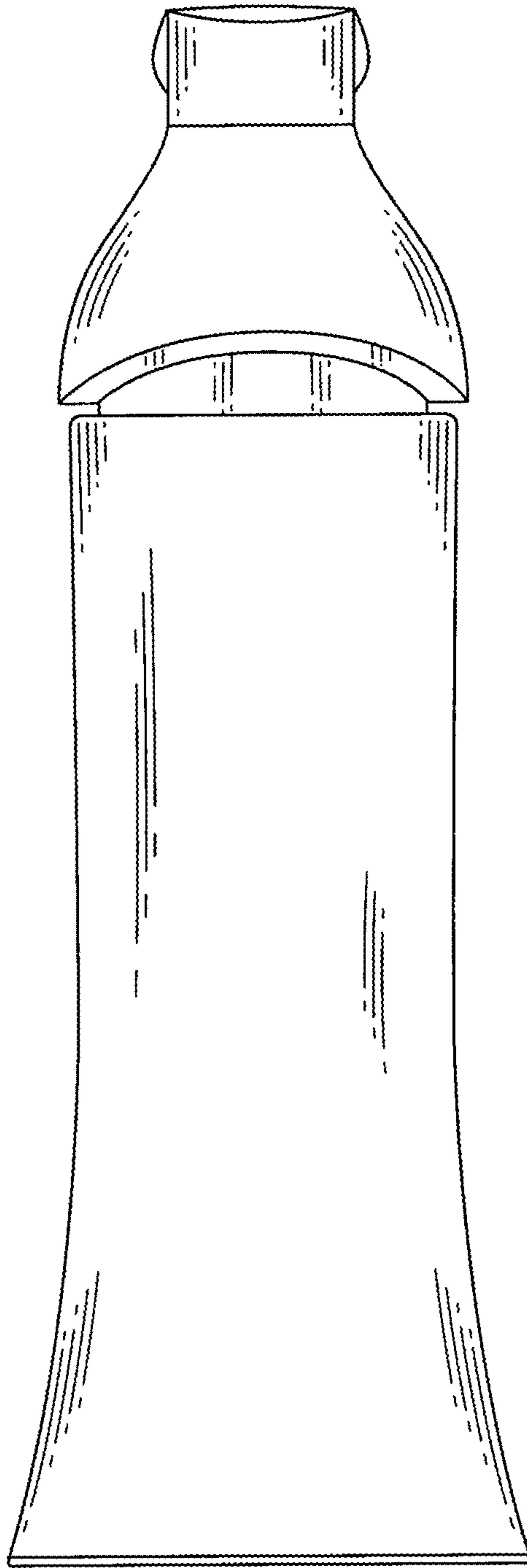


FIG. 3

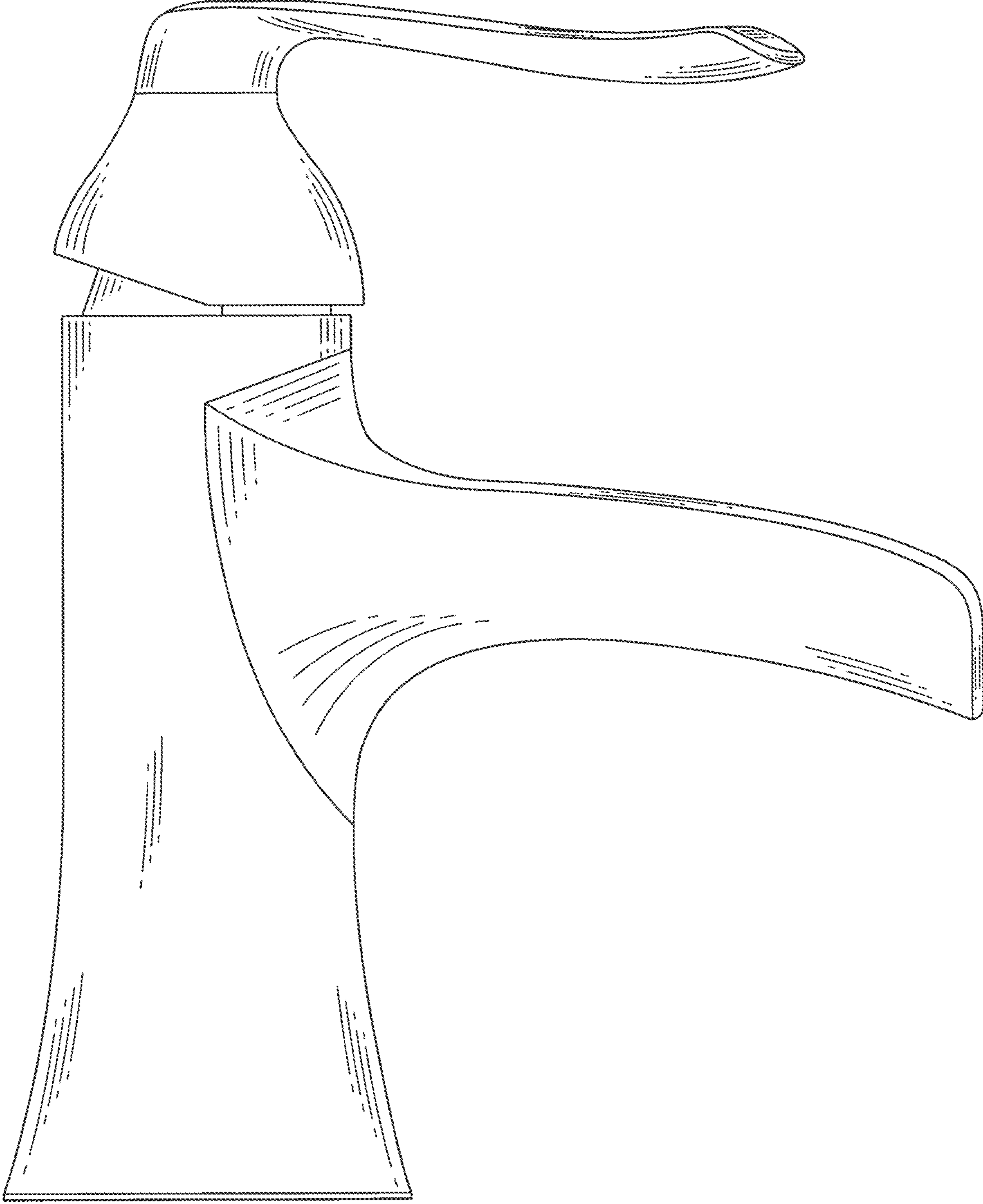


FIG. 4

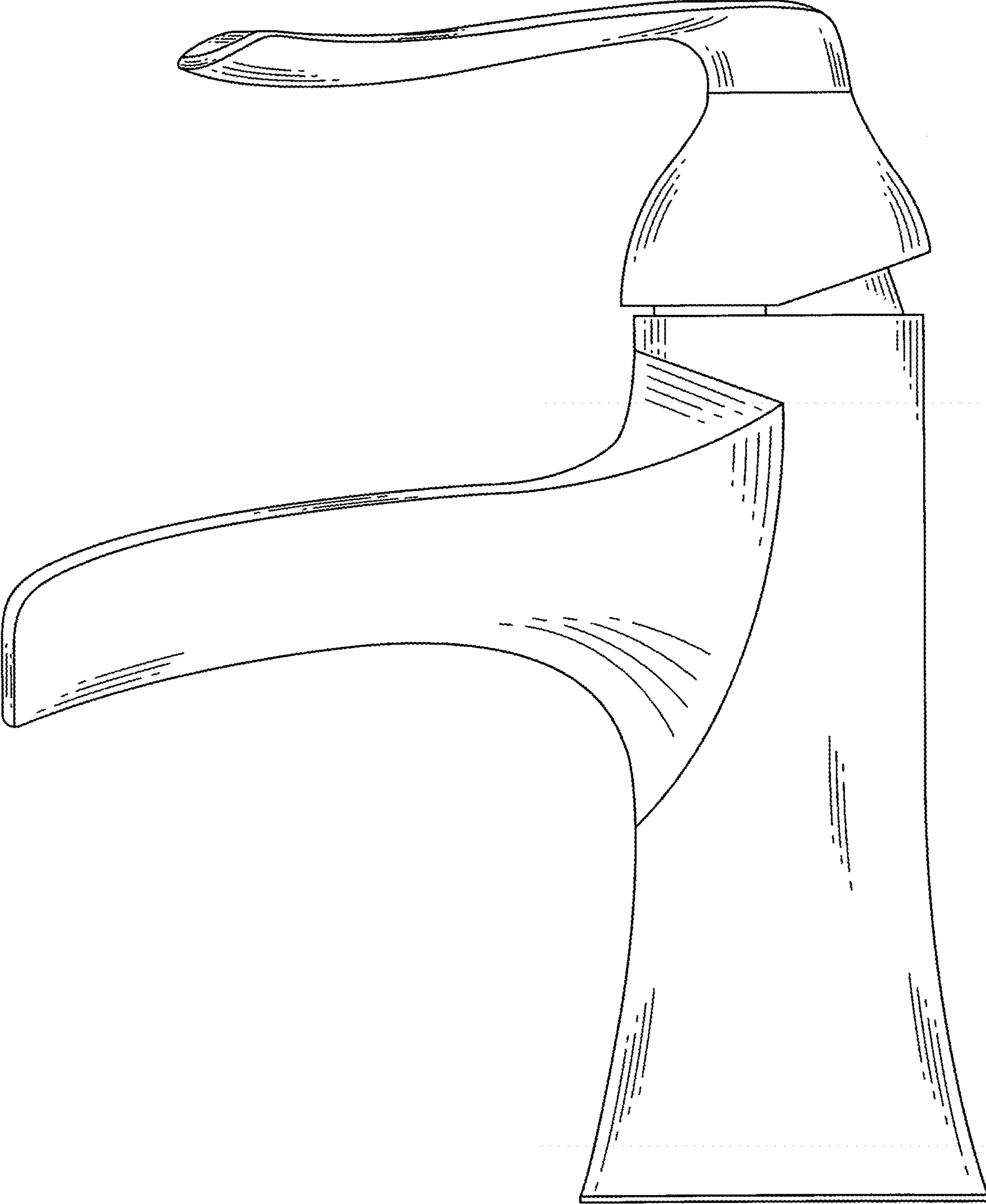


FIG. 5

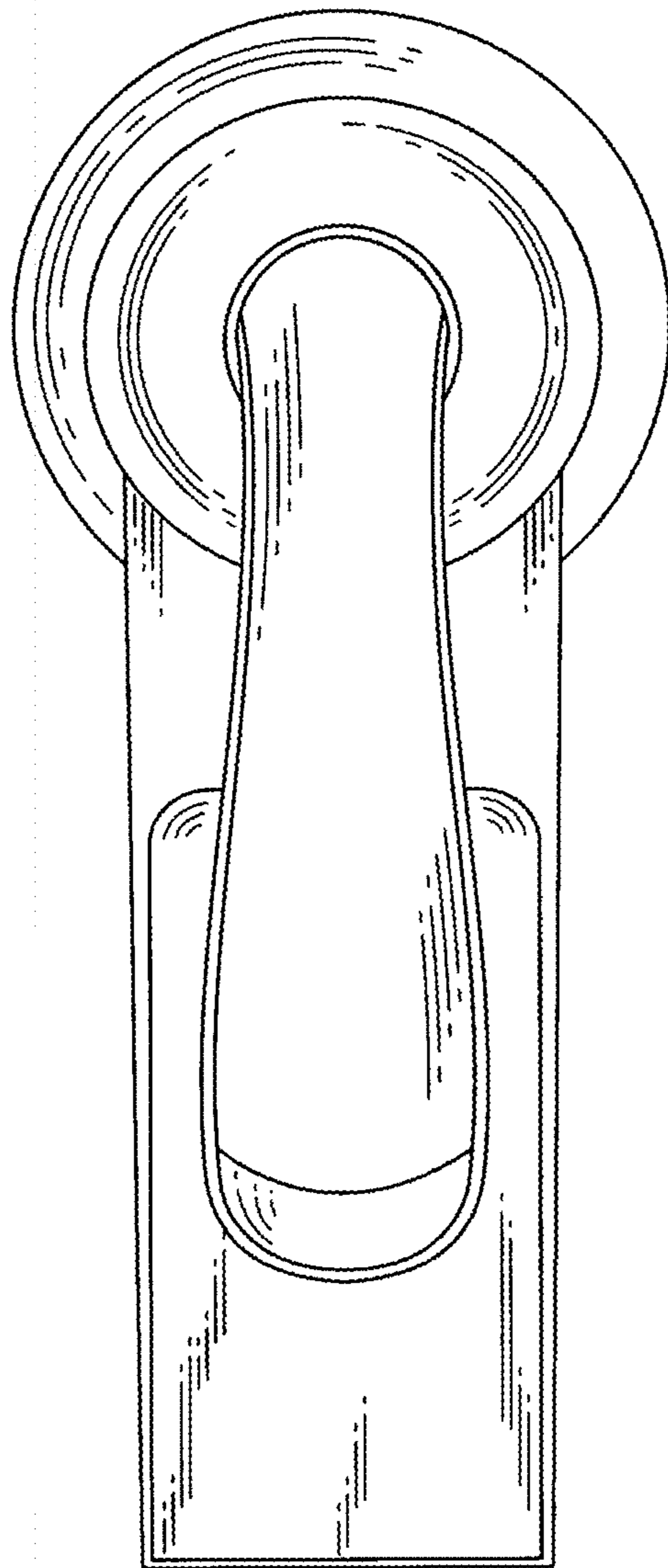


FIG. 6

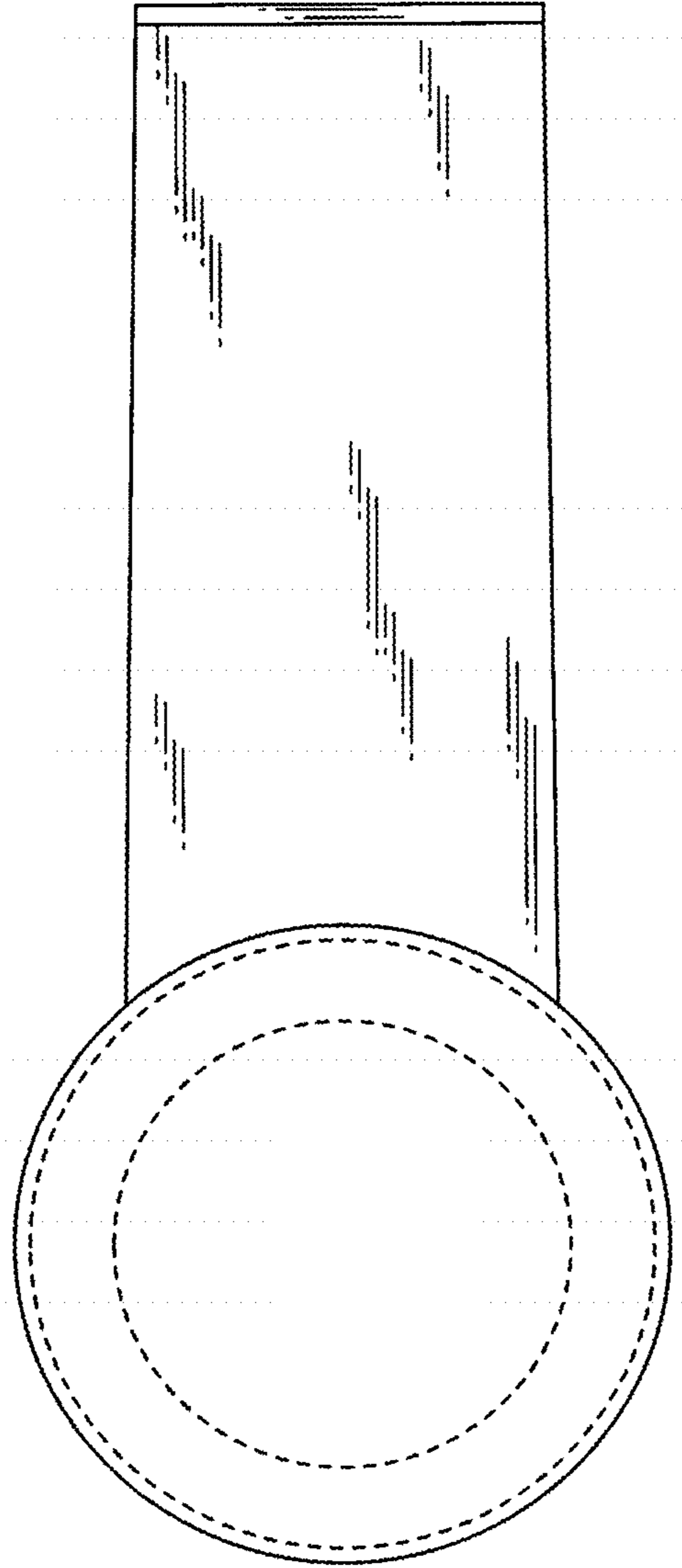


FIG. 7