



US00D873961S

(12) **United States Design Patent**  
**Garland**

(10) **Patent No.:** **US D873,961 S**

(45) **Date of Patent:** **\*\* Jan. 28, 2020**

(54) **FAUCET**

(71) Applicant: **DELTA FAUCET COMPANY,**  
Indianapolis, IN (US)

(72) Inventor: **Celine Kwok Garland,** Zionsville, IN  
(US)

(73) Assignee: **DELTA FAUCET COMPANY,**  
Indianapolis, IN (US)

(\*\*) Term: **15 Years**

(21) Appl. No.: **29/643,968**

(22) Filed: **Apr. 13, 2018**

(51) **LOC (12) Cl.** ..... **23-01**

(52) **U.S. Cl.**  
USPC ..... **D23/238**

(58) **Field of Classification Search**  
USPC ..... D23/238–243, 249–252, 254–255, 257;  
D8/307–308  
CPC ..... Y10T 137/9464  
See application file for complete search history.

(56) **References Cited**

**U.S. PATENT DOCUMENTS**

D518,558 S \* 4/2006 Soriano ..... D23/255  
D683,823 S \* 6/2013 Kwok ..... D23/238

D718,420 S \* 11/2014 Rexach ..... D23/238  
D794,757 S \* 8/2017 Kulig ..... D23/242  
D795,393 S \* 8/2017 Fritz ..... D23/238  
D840,509 S \* 2/2019 Garland ..... D23/238

\* cited by examiner

*Primary Examiner* — Amy C Wierenga

(74) *Attorney, Agent, or Firm* — Edgar A. Zarins; Nirav  
D. Parikh

(57) **CLAIM**

The ornamental design for a faucet, as shown and described.

**DESCRIPTION**

FIG. 1 is a first perspective view of a faucet showing my new design;

FIG. 2 is a second perspective view thereof;

FIG. 3 is a front elevational view thereof;

FIG. 4 is a left side view thereof;

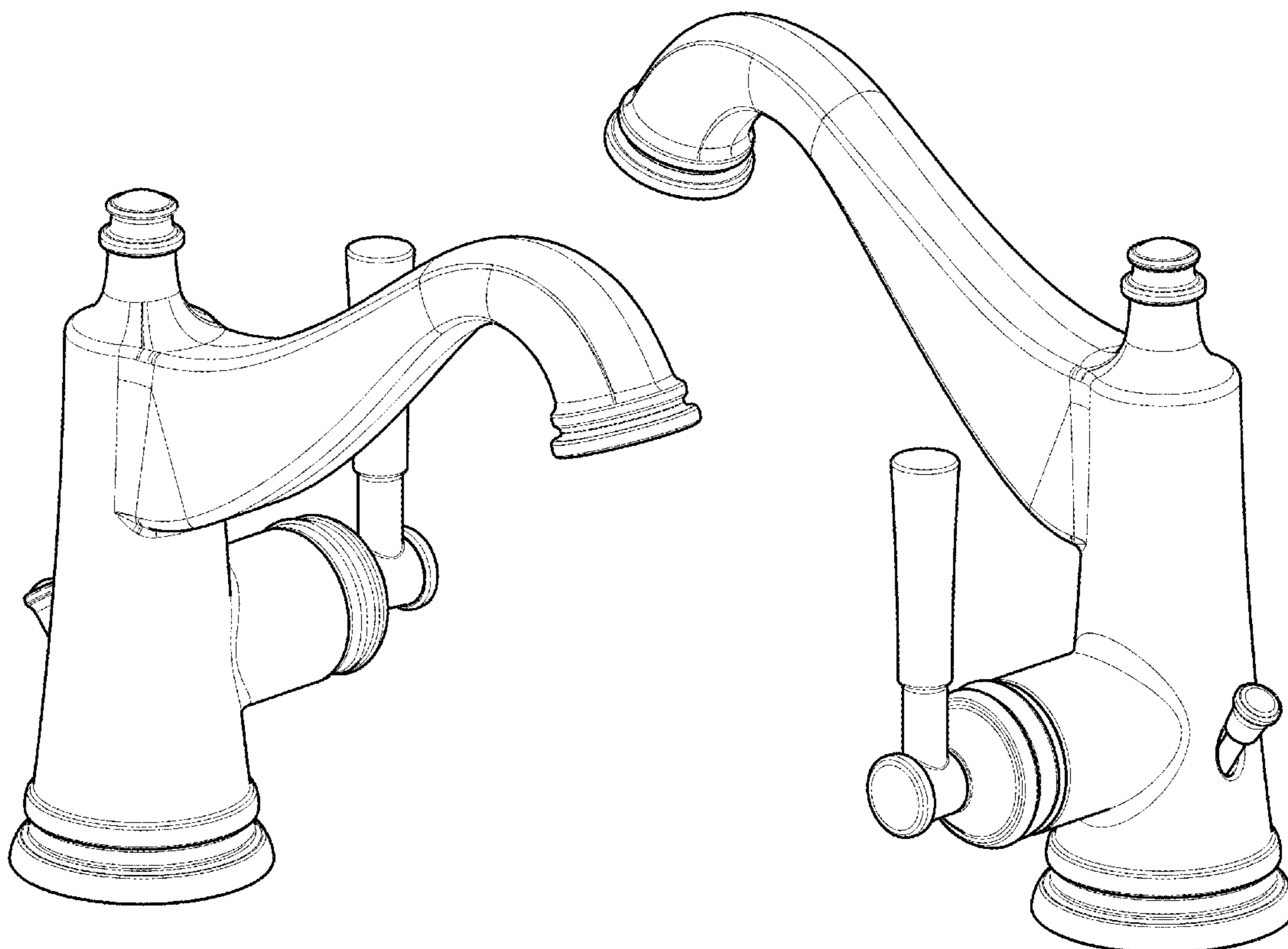
FIG. 5 is a rear view thereof;

FIG. 6 is a right side view thereof;

FIG. 7 is a top plan view thereof; and,

FIG. 8 is a bottom view thereof.

**1 Claim, 4 Drawing Sheets**



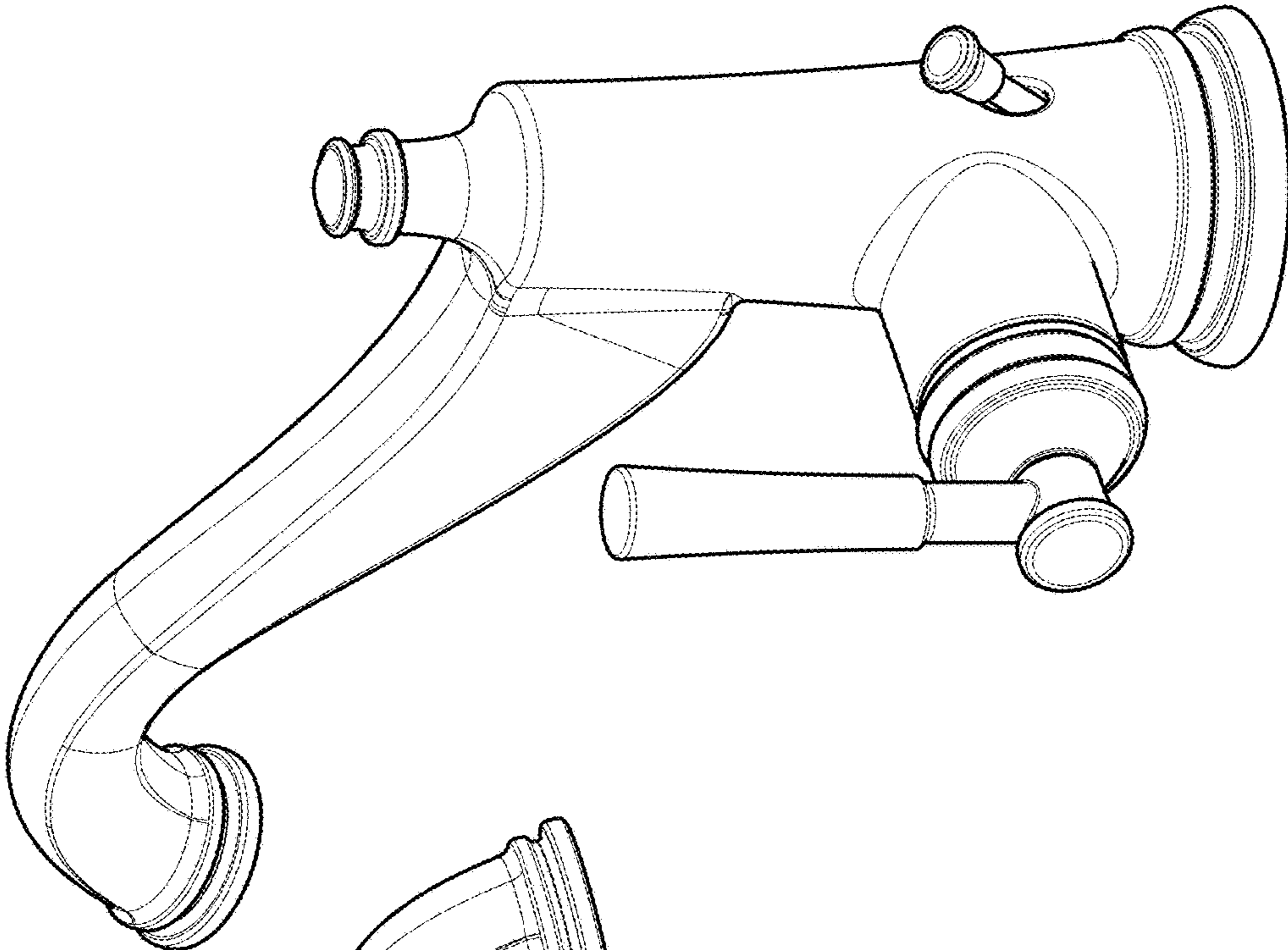


FIG - 1

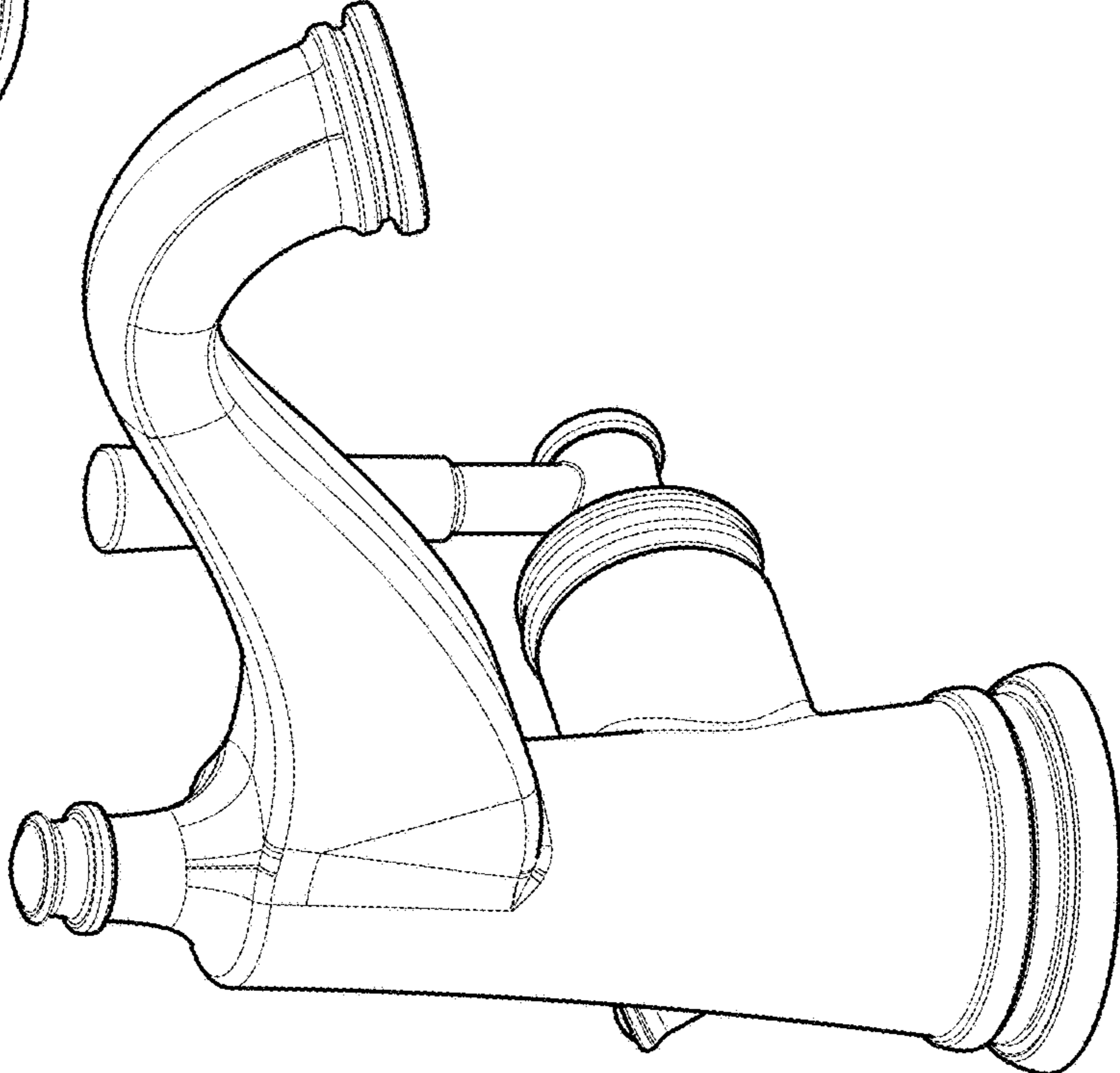


FIG - 2

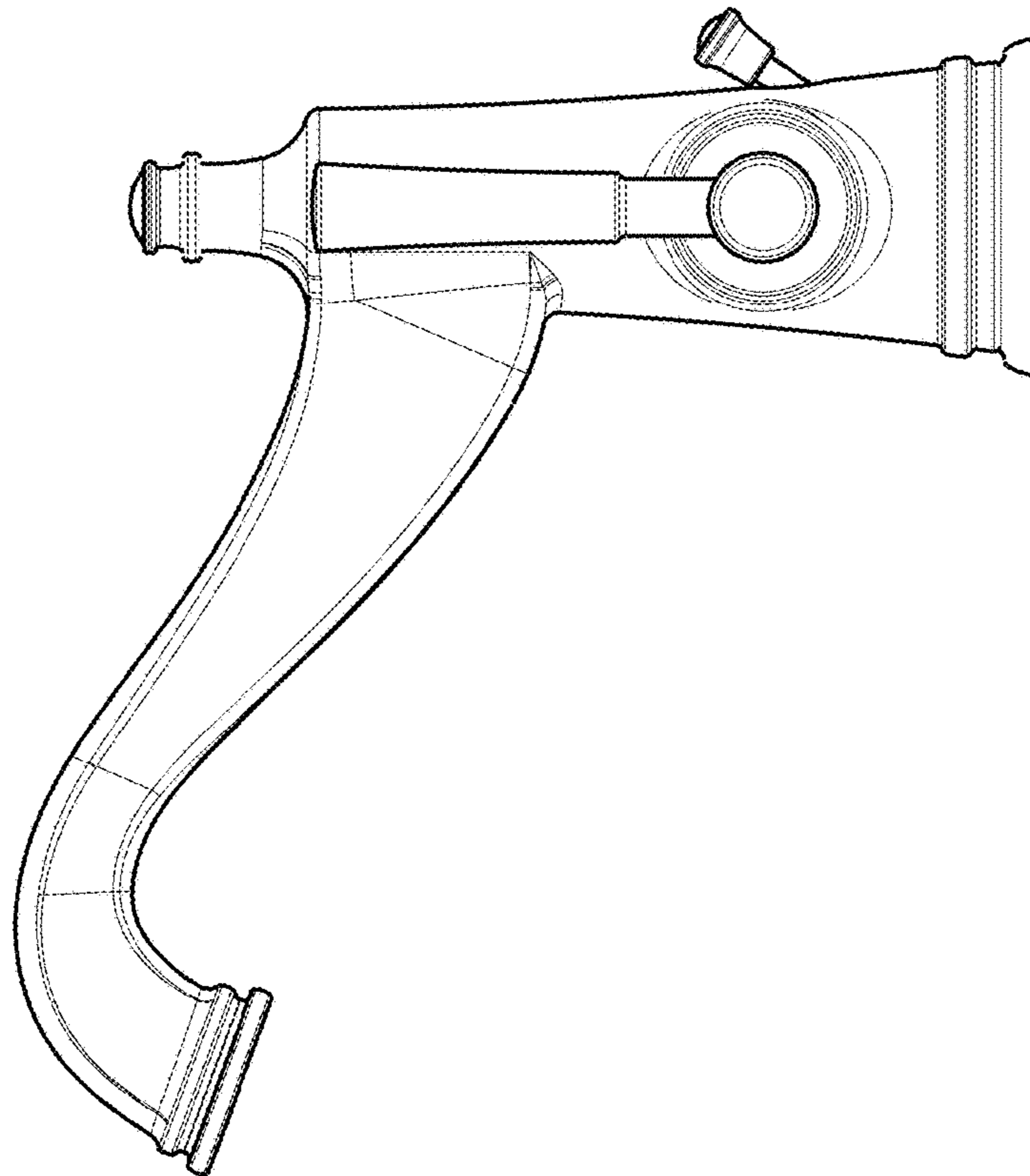


FIG - 4

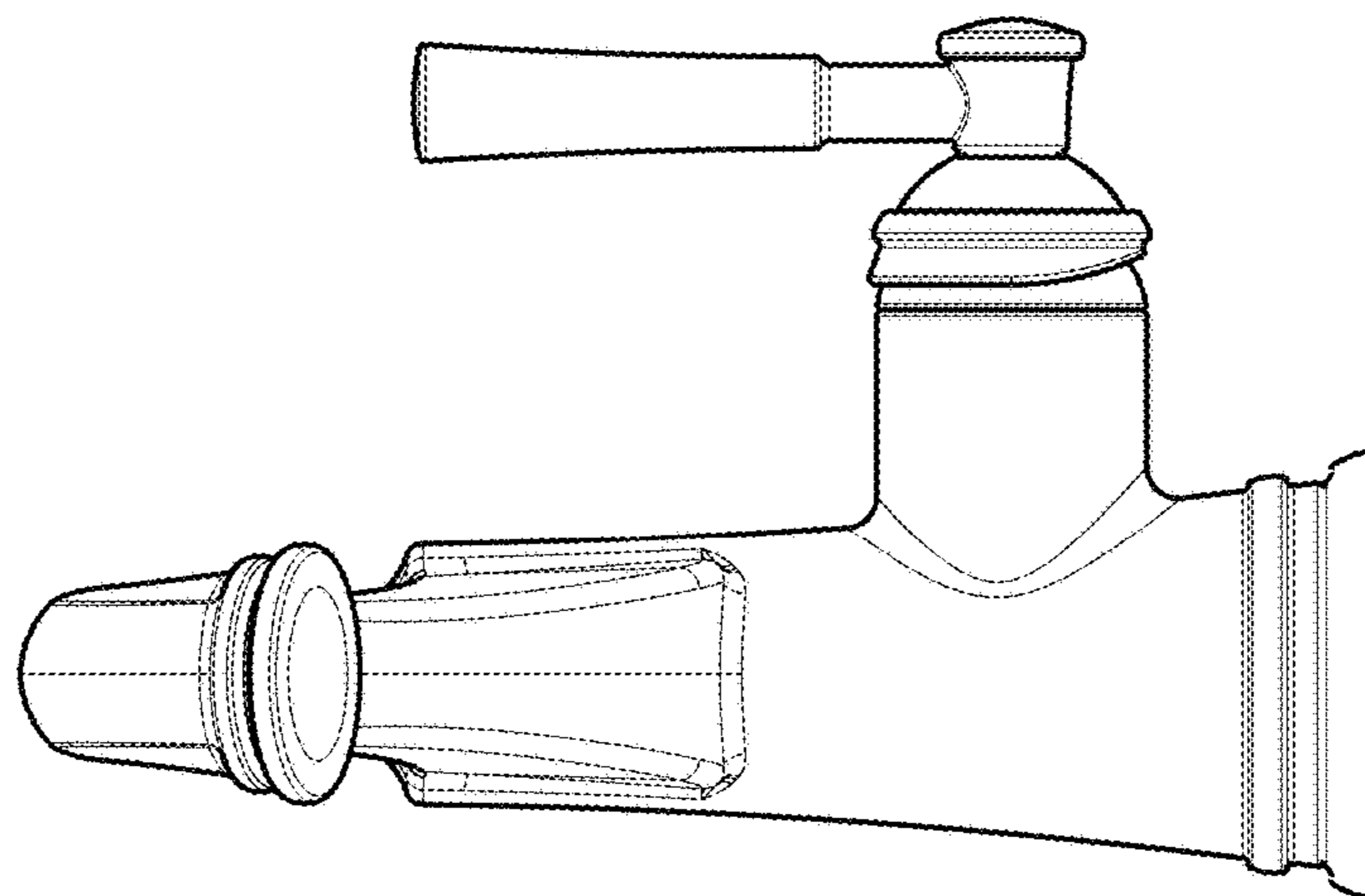


FIG - 3

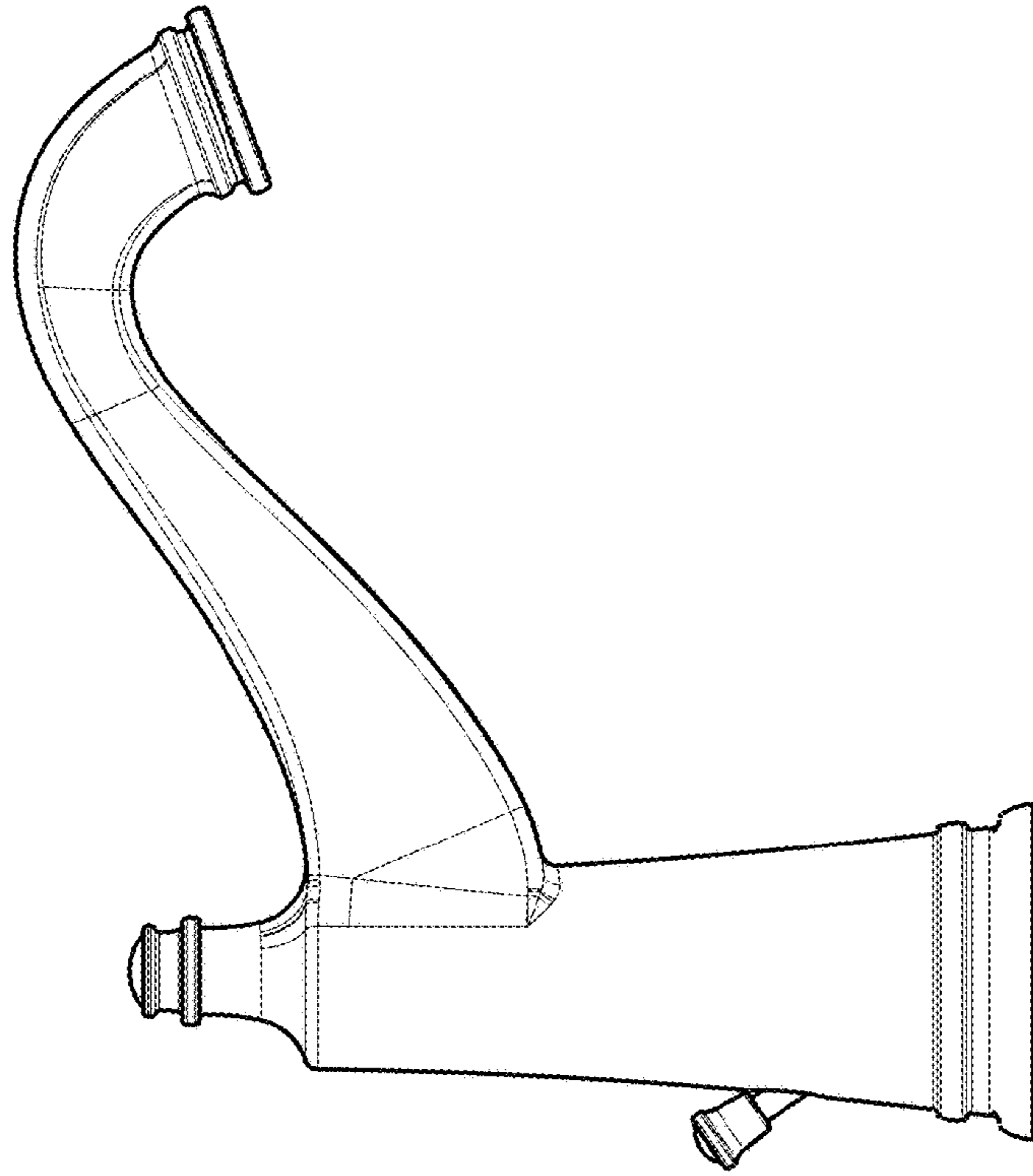


FIG - 6

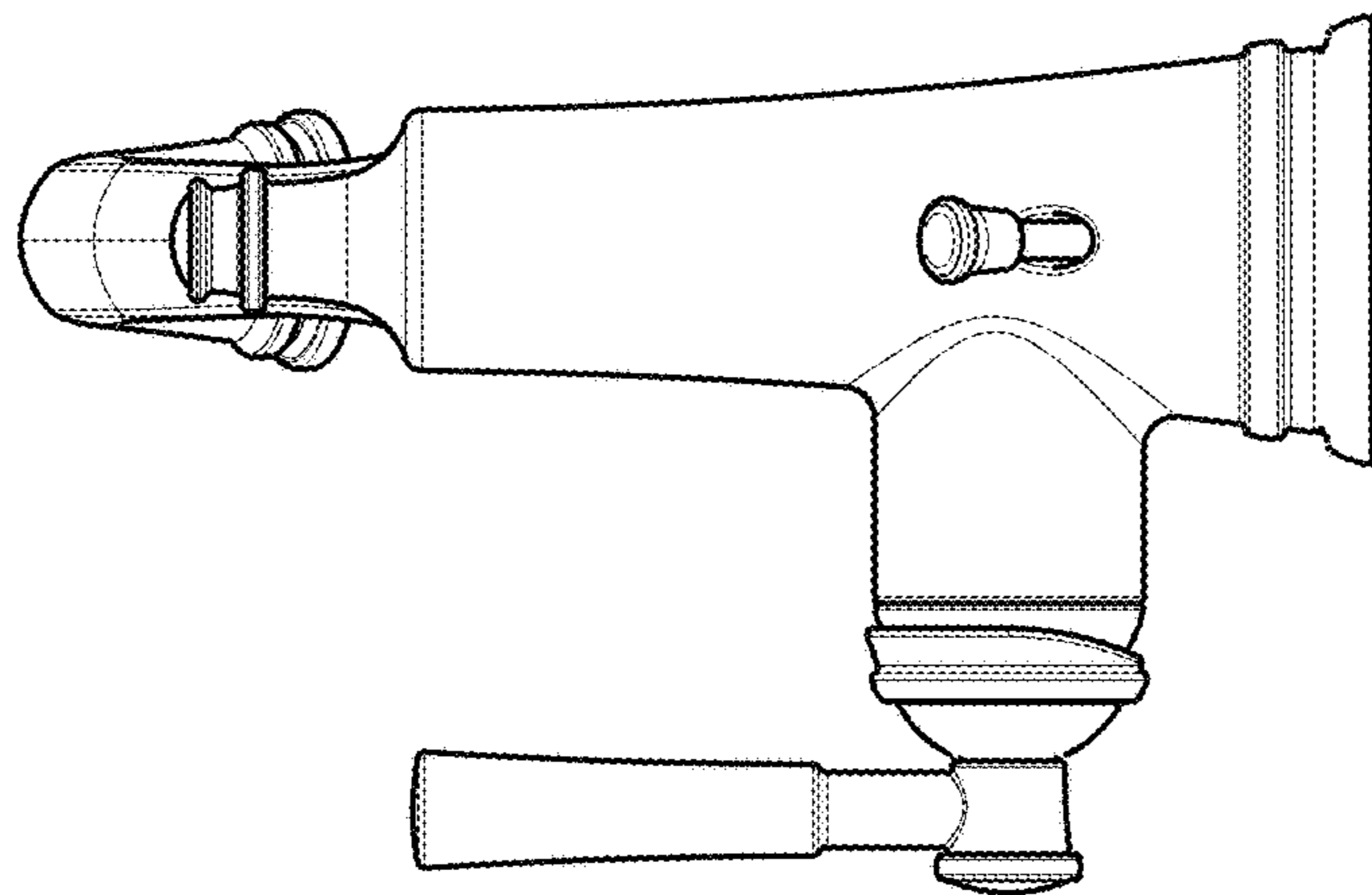


FIG - 5

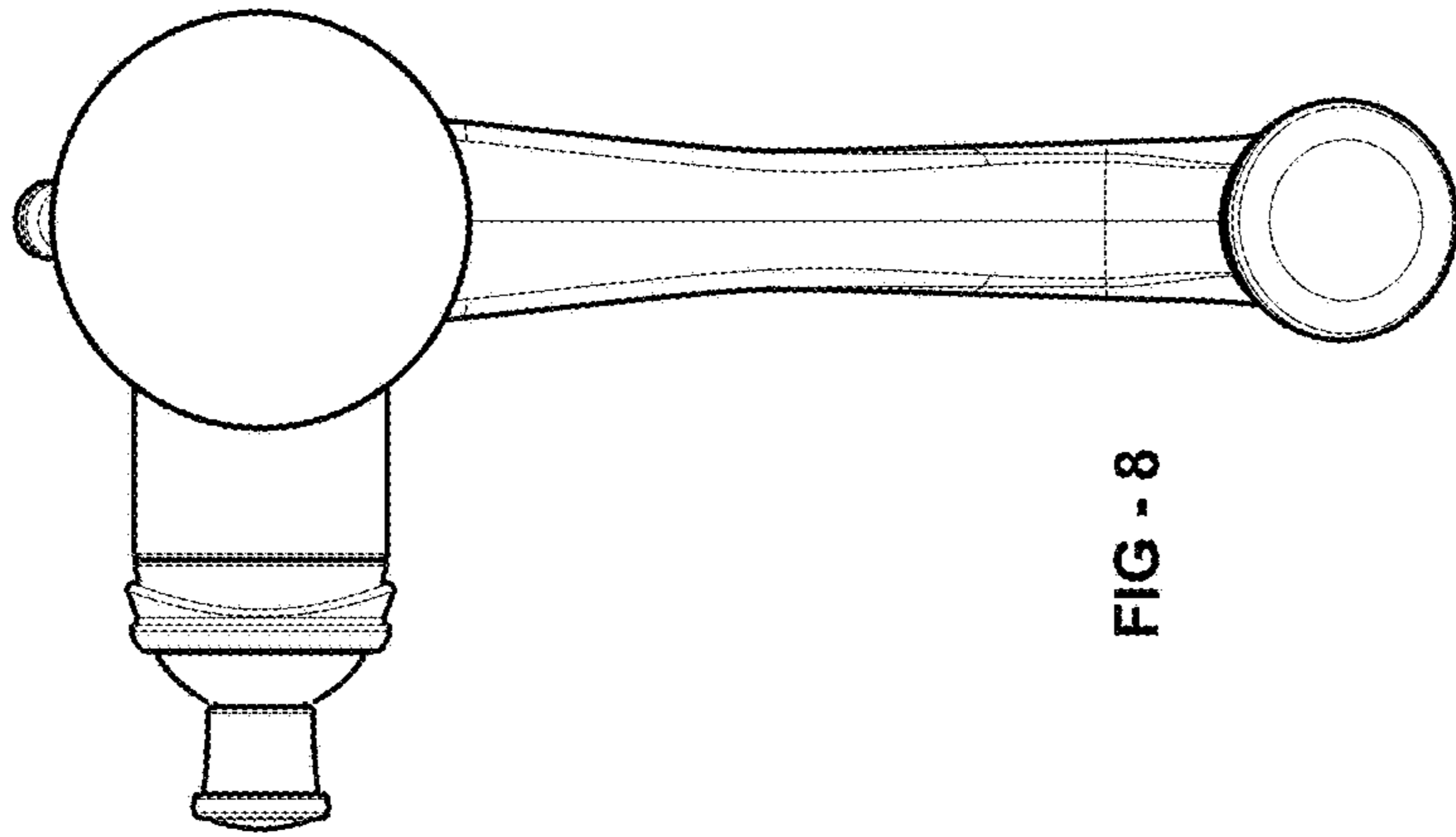


FIG - 8

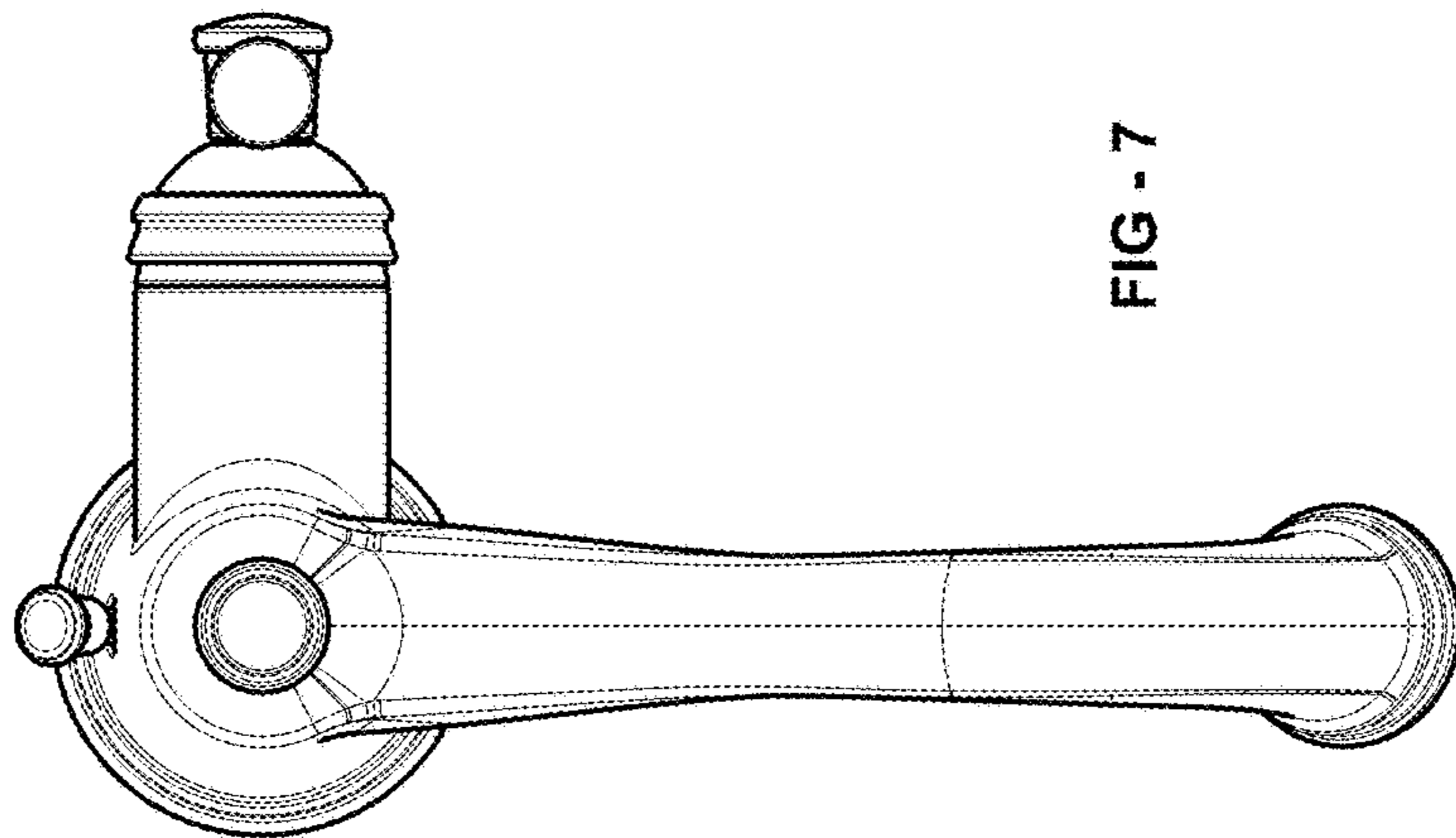


FIG - 7