



US00D873959S

(12) **United States Design Patent**
Nasu et al.

(10) **Patent No.:** **US D873,959 S**
(45) **Date of Patent:** **** Jan. 28, 2020**

(54) **BUTTERFLY VALVE DISC** 6,758,458 B2 * 7/2004 Ando F16K 1/2265
251/208
(71) Applicant: **ASAHI YUKIZAI CORPORATION,** D637,695 S * 5/2011 Fujiyama D23/233
Nobeoka-shi, Miyazaki (JP) D645,119 S * 9/2011 Fujiyama D23/233
(72) Inventors: **Takashi Nasu,** Nobeoka (JP); D650,470 S * 12/2011 Fujiyama D23/233
Nobuyuki Matsukuma, Fukuoka-ken D678,474 S * 3/2013 Sisk D23/233
(JP) 9,702,480 B2 * 7/2017 Hoots F16K 1/2007

FOREIGN PATENT DOCUMENTS

(73) Assignee: **ASAHI YUKIZAI CORPORATION,** JP H11230372 A 8/1999
Nobeoka-Shi, Miyazaki (JP) JP H11270702 A 11/1999
(**) Term: **15 Years** * cited by examiner

(21) Appl. No.: **29/651,448**

Primary Examiner — Gino Colan

(22) Filed: **Aug. 16, 2018**

(74) *Attorney, Agent, or Firm* — Buchanan Ingersoll & Rooney PC

(30) **Foreign Application Priority Data**

(57) **CLAIM**

Feb. 16, 2018 (JP) 2018-003228

The ornamental design for a butterfly valve disc, as shown and described.

(51) **LOC (12) Cl.** **23-01**

(52) **U.S. Cl.** **D23/233**
USPC **D23/233**

DESCRIPTION

(58) **Field of Classification Search**
USPC D23/233–250, 252; D8/28; 251/118,
251/109, 288, 285, 305, 306, 173;
137/625.46, 239, 385
CPC F16K 31/602; F16K 31/60; F16K 35/10;
F16K 31/605; F16K 27/0218
See application file for complete search history.

FIG. 1 is a perspective view of a butterfly valve disc showing our new design;
FIG. 2 is a front view thereof;
FIG. 3 is a rear view thereof;
FIG. 4 is a left side view thereof;
FIG. 5 is a right side view thereof;
FIG. 6 is a top plan view thereof;
FIG. 7 is a bottom plan view thereof; and,
FIG. 8 is a cross-sectional view taken along lines 8-8 in FIG. 2.

(56) **References Cited**

U.S. PATENT DOCUMENTS

3,485,476 A * 12/1969 Hemphill F16K 1/222
251/283
5,360,030 A * 11/1994 Sisk F16K 1/2265
137/375

The dashed-dot broken lines shown in the figures are included for the purpose of illustrating bounds of the claim and form no part of the claimed design.

1 Claim, 6 Drawing Sheets

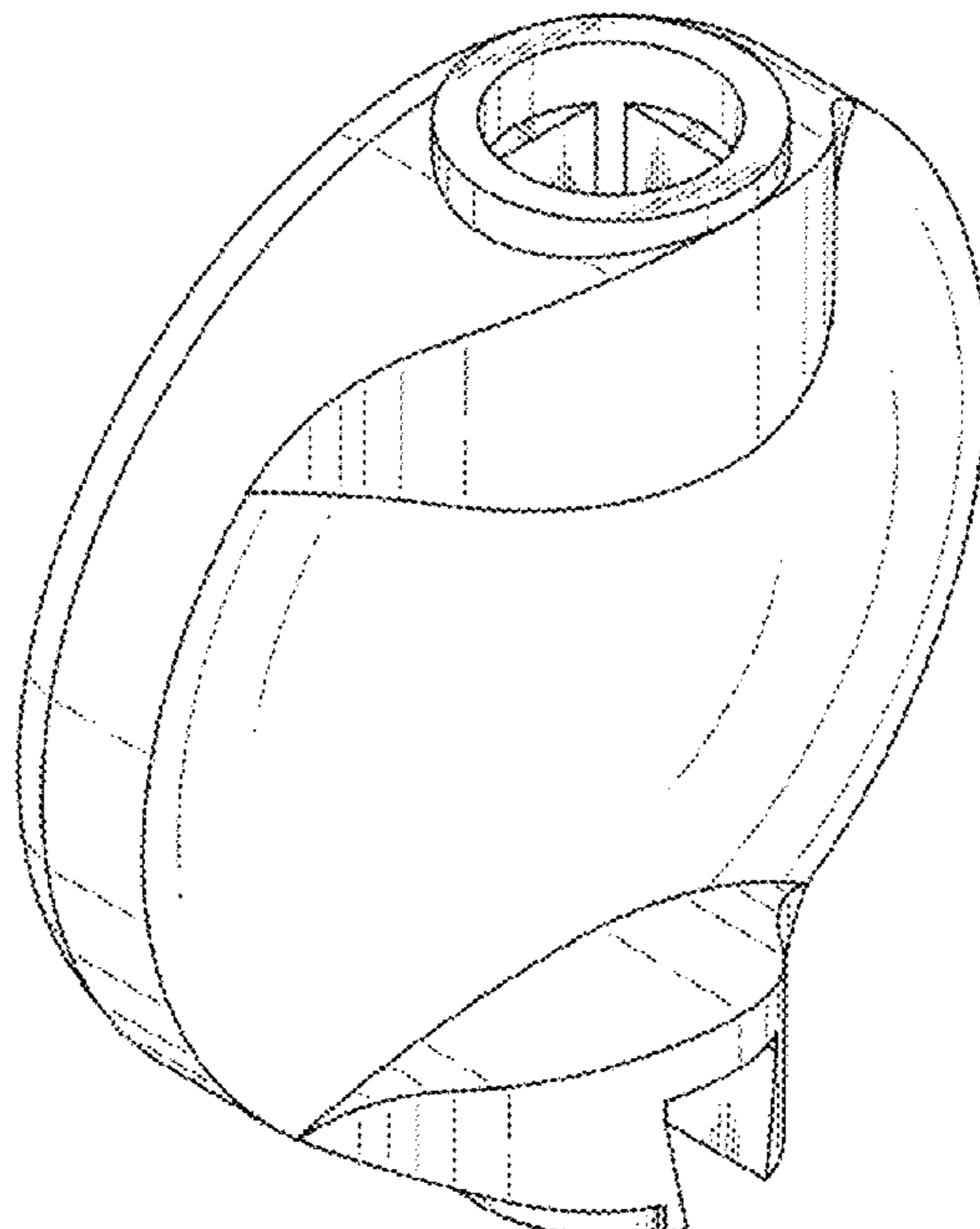


FIG. 1

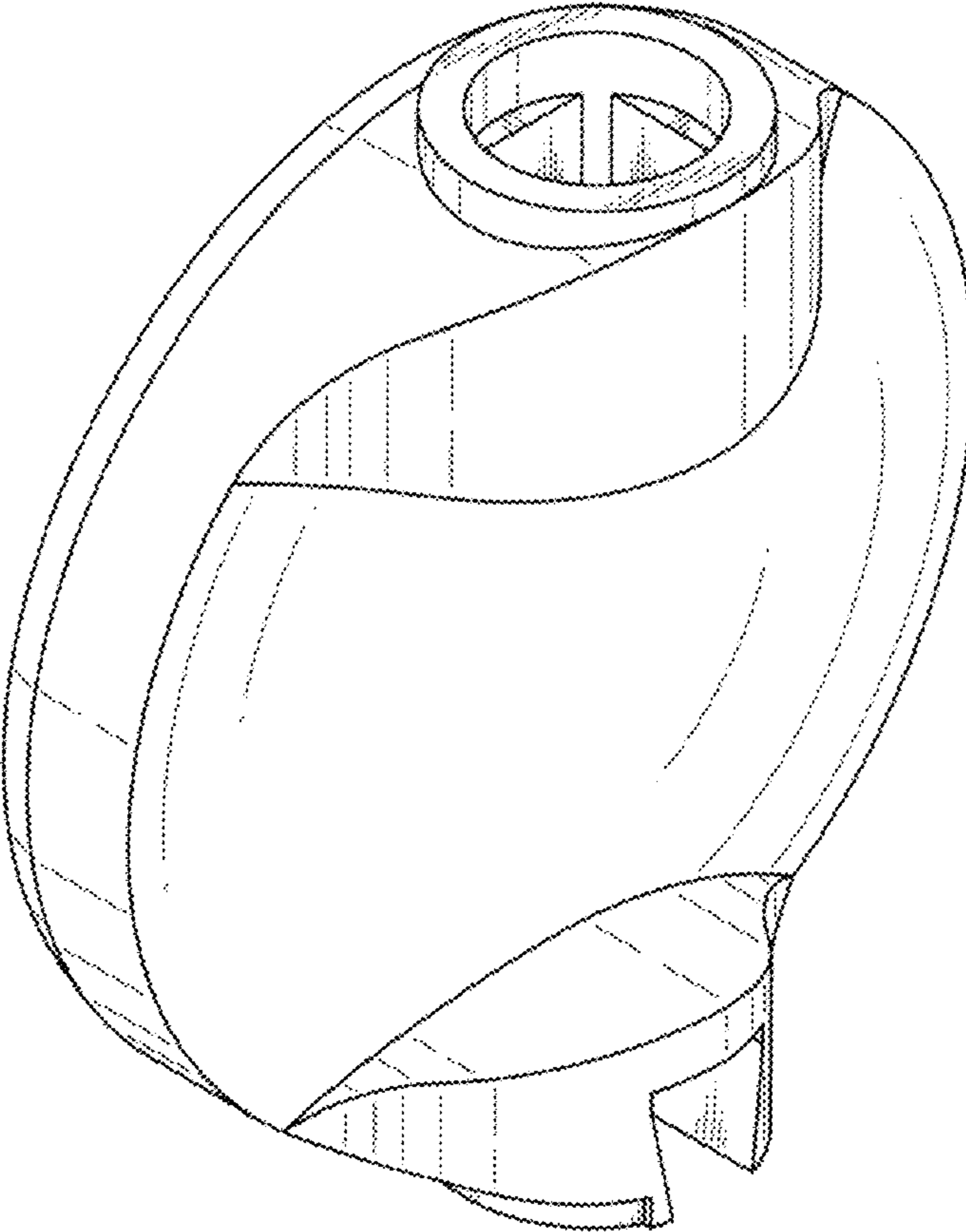


FIG. 2

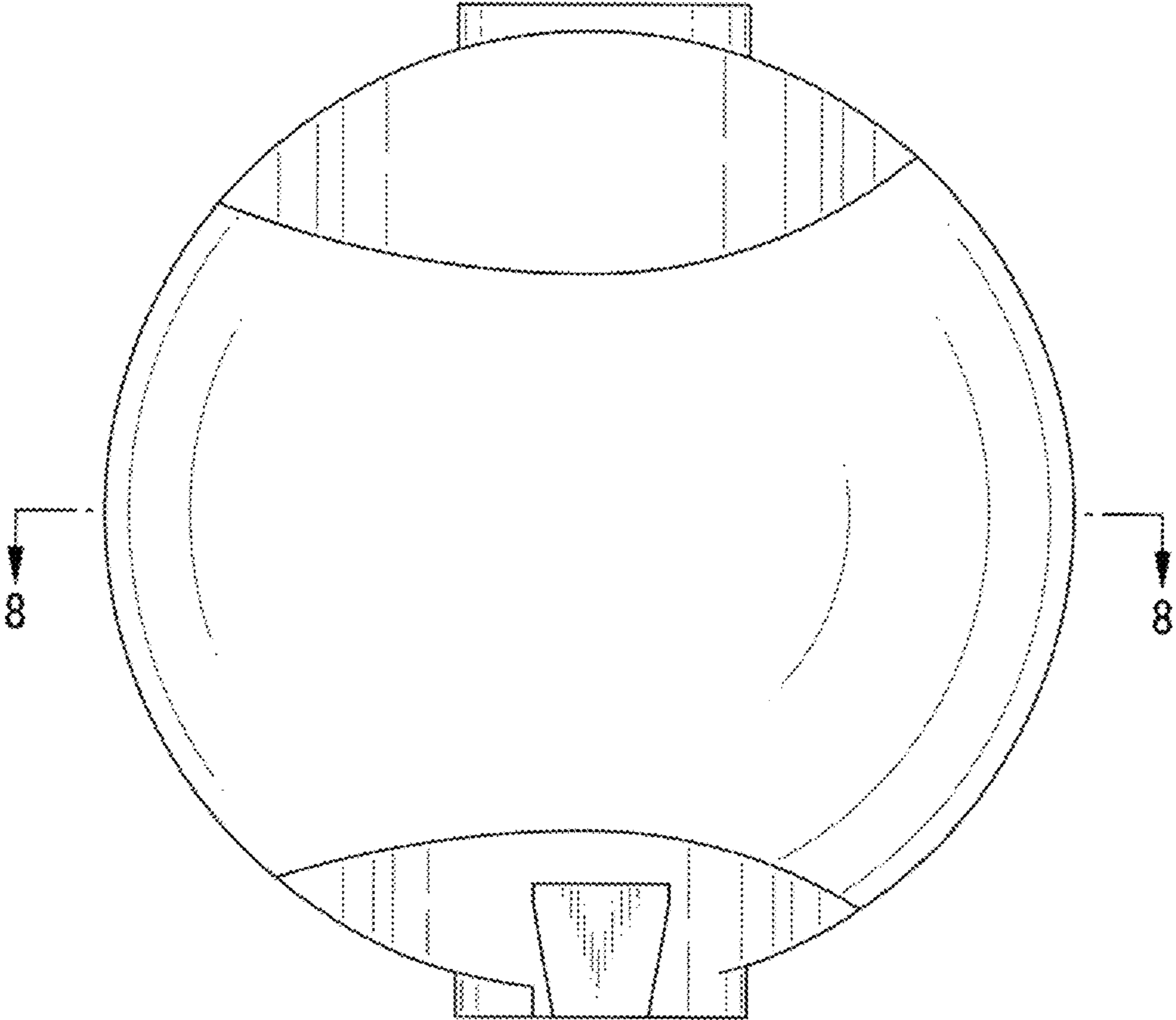


FIG. 3

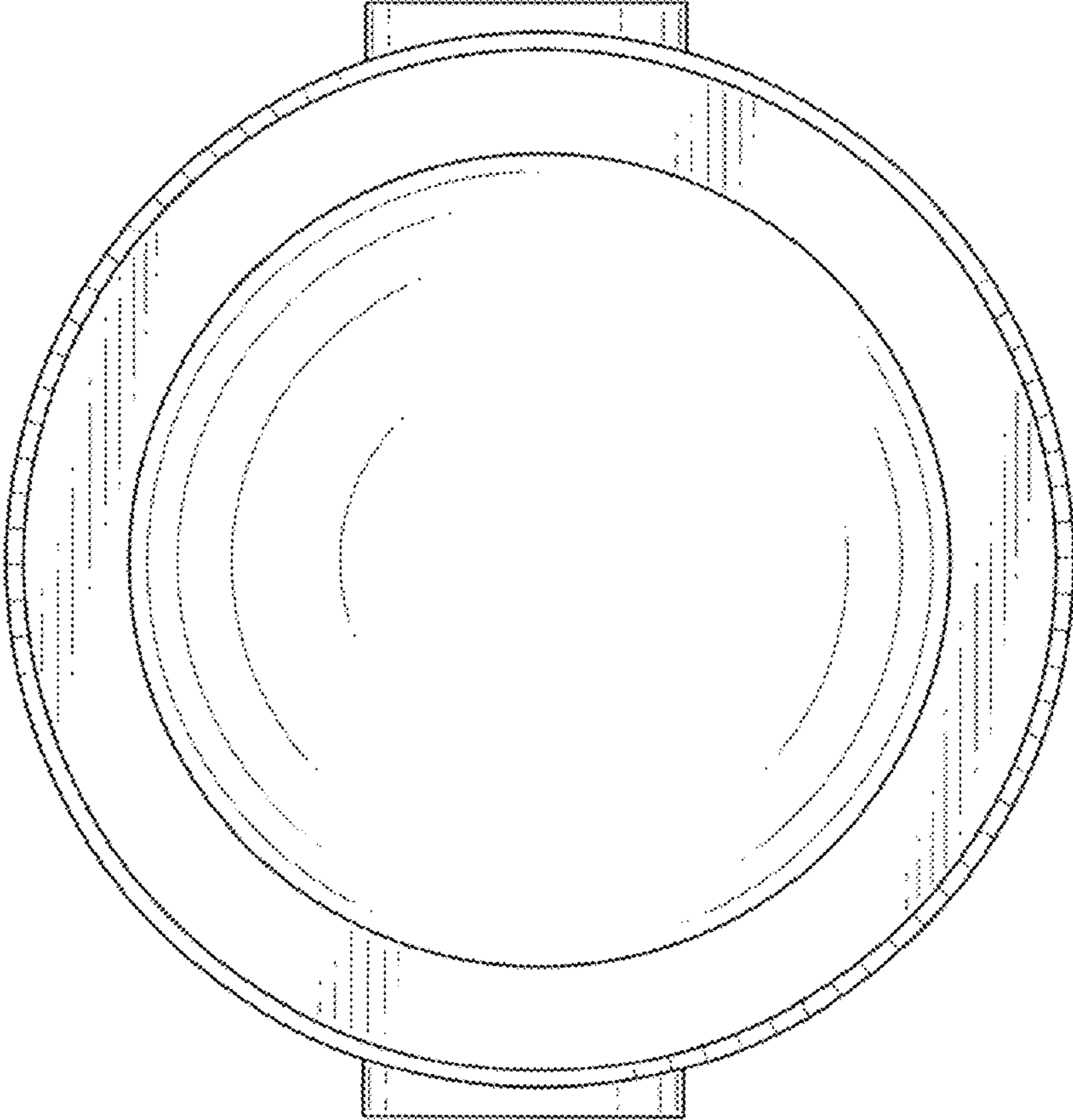


FIG. 4

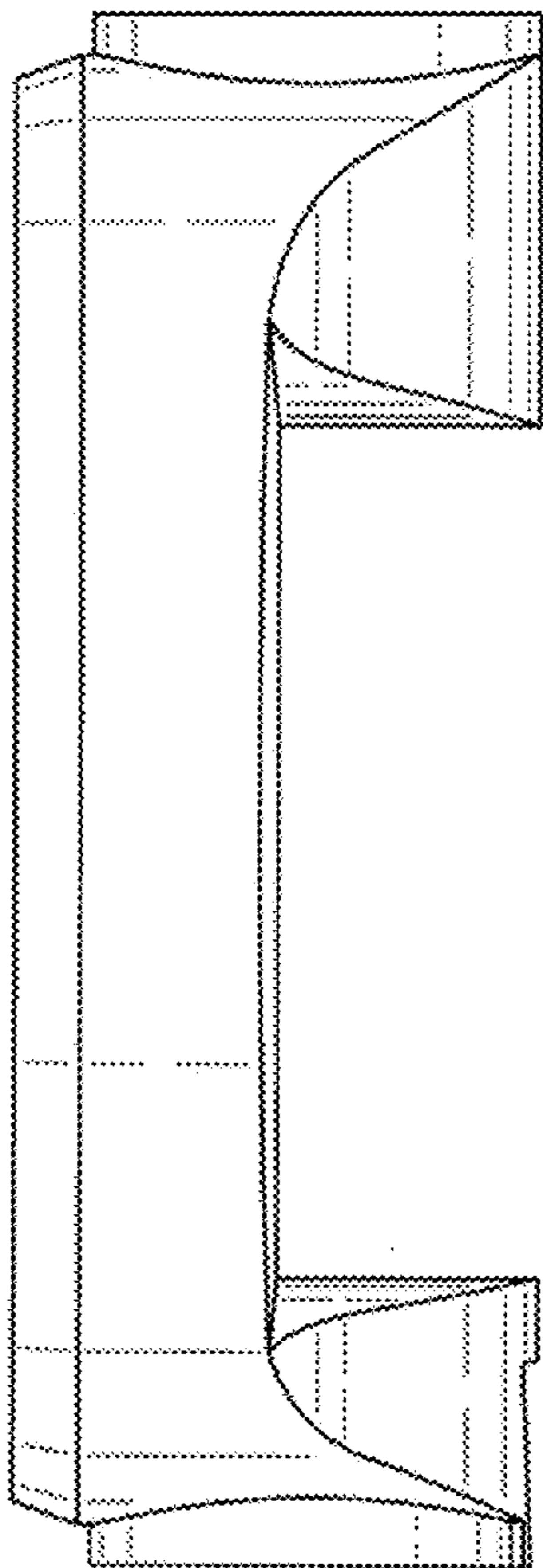


FIG. 5

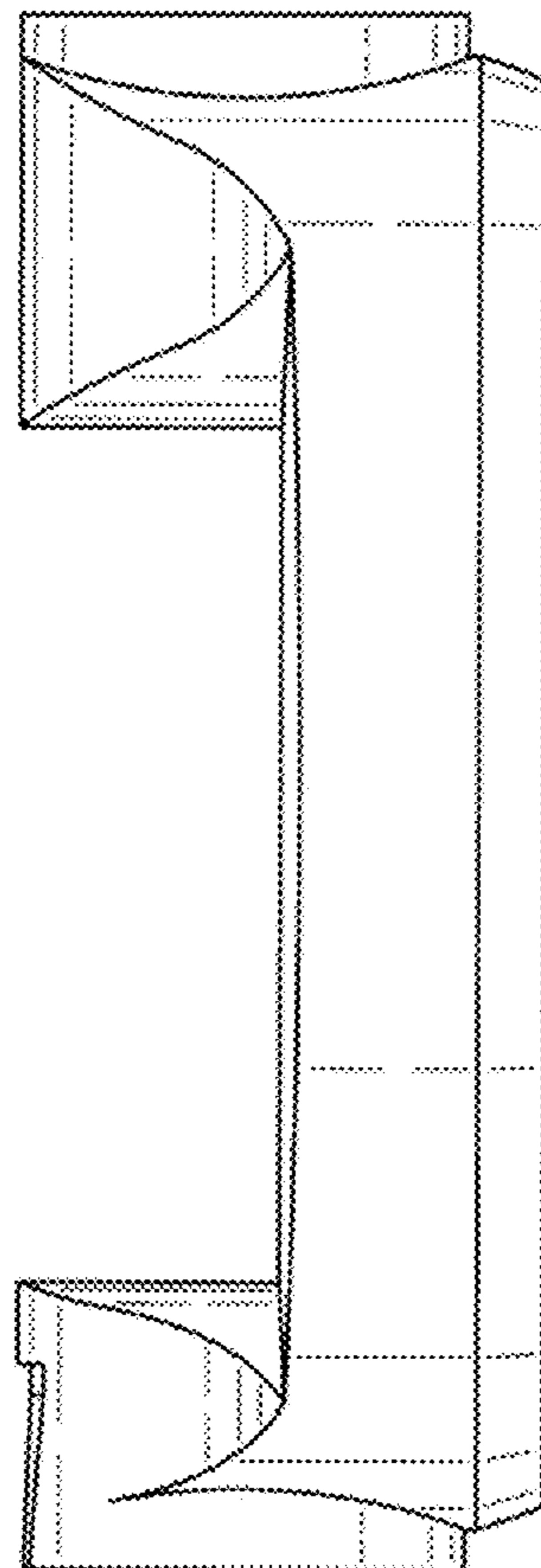


FIG. 6

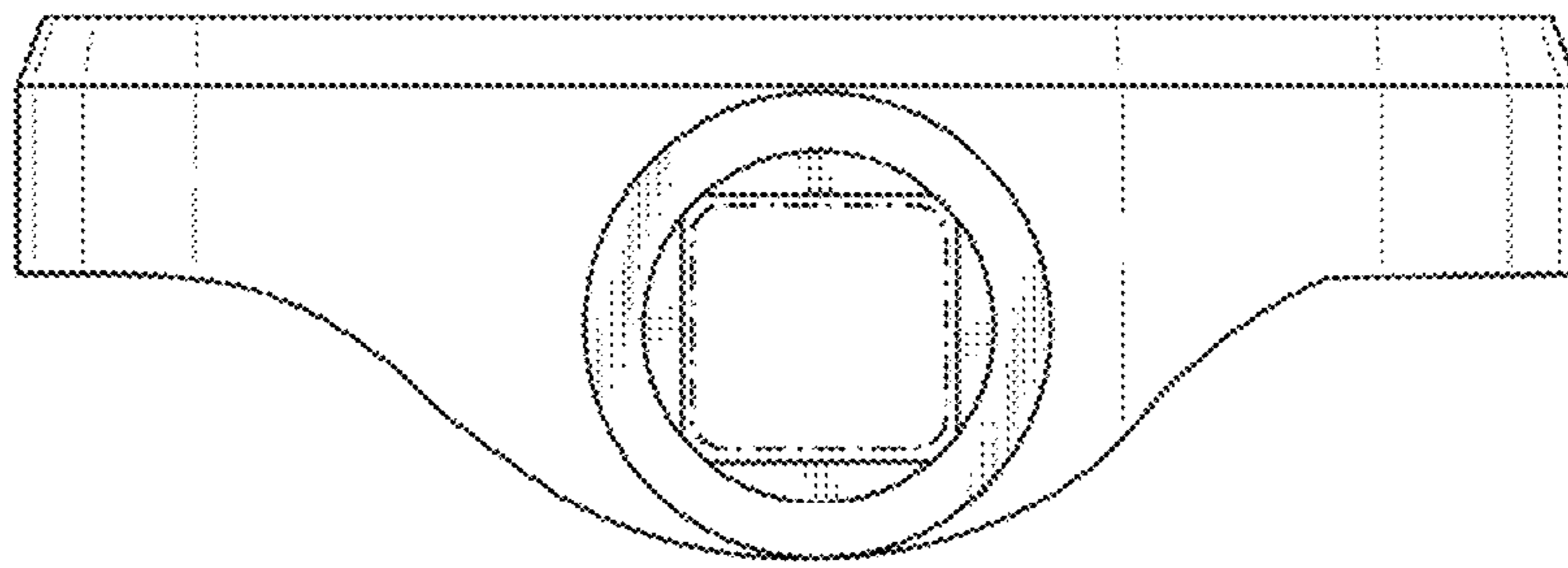


FIG. 7

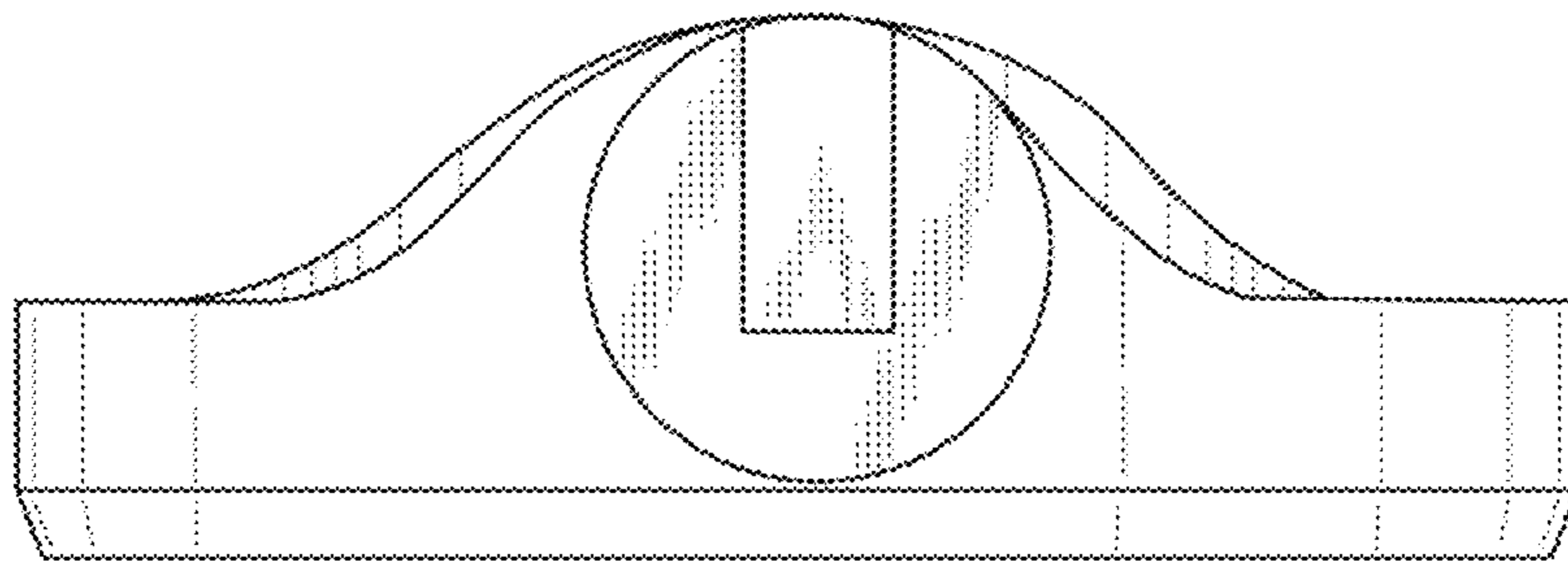


FIG. 8

