



US00D873958S

(12) **United States Design Patent** (10) **Patent No.:** **US D873,958 S**
Young et al. (45) **Date of Patent:** **** Jan. 28, 2020**

(54) **WATER HEATER CONTROLLER**

8,337,081 B1 12/2012 Holmberg et al.
 D675,714 S 2/2013 Nguyen
 D679,787 S * 4/2013 Lesage D23/318
 (Continued)

(71) Applicant: **Ademco Inc.**, Golden Valley, MN (US)

(72) Inventors: **Gregory Young**, Blaine, MN (US);
Brian Moy, Arden Hills, MN (US);
Don C. Kennedy, Brooklyn Park, MN
 (US); **Bruce L. Hill**, Roseville, MN
 (US); **James E. Erickson**, Eagan, MN
 (US)

FOREIGN PATENT DOCUMENTS

EP 2372263 A2 10/2011

OTHER PUBLICATIONS

Honeywell Water Heater Gas Valve; prior to Mar. 2, 2018; 1pg.;
https://www.google.com/search?q=hot+water+heater+controls&hl=en&biw=1536&bih=813&source=Int&tbs=cd:3A1%2Ccd_min%3A%2Ccd_max%3A3%2F2%2F2018&tbm=isch#imgdii=AVESIWnM7yCUnM:&imgsrc=bDKS0HU6t089IM:&spf=1558039870440.*

(Continued)

(73) Assignee: **Ademco Inc.**, Golden Valley, MN (US)

(**) Term: **15 Years**

(21) Appl. No.: **29/639,058**

(22) Filed: **Mar. 2, 2018**

(51) **LOC (12) Cl.** **23-01**

(52) **U.S. Cl.**
 USPC **D23/233**

(58) **Field of Classification Search**
 USPC D13/162, 184; D10/49, 50, 85;
 D23/235, 233, 244, 319, 320, 321, 322,
 D23/386

CPC F23N 5/00; F23N 2900/00; F23N
 2900/05005; F24D 19/1066; F24H
 9/2007; F24H 9/2035; F24H 1/18; G05D
 23/1904; H05B 1/00; H05B 1/02; H05B
 1/0202; H05B 1/0283

See application file for complete search history.

Primary Examiner — Selina Sikder

(74) *Attorney, Agent, or Firm* — Shumaker & Sieffert, P.A.

(57) **CLAIM**

The ornamental design for a water heater controller, as shown and described.

DESCRIPTION

FIG. 1 is a perspective view of a water heater controller;
 FIG. 2 is a front elevation view of the water heater controller of FIG. 1;
 FIG. 3 is a right side view of the water heater controller of FIG. 1;
 FIG. 4 is a left side view of the water heater controller of FIG. 1;
 FIG. 5 is a top side view of the water heater controller of FIG. 1; and,
 FIG. 6 is a bottom side view of the water heater controller of FIG. 1.

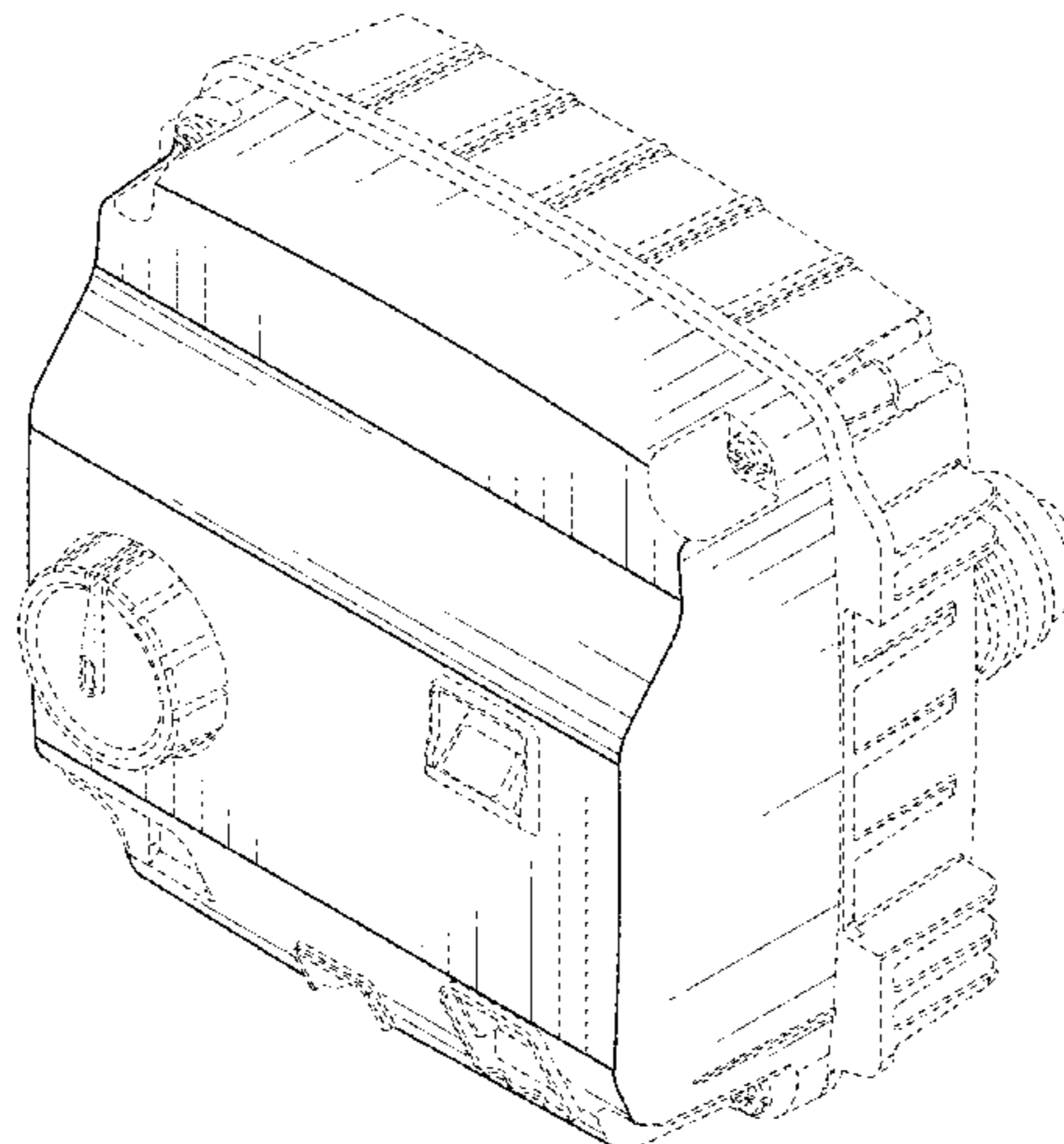
In the drawings, the claimed design is defined by the shaded surfaces; broken lines immediately adjacent shaded surfaces represent boundaries of the claim and form no part thereof;

(Continued)

(56) **References Cited**

U.S. PATENT DOCUMENTS

4,153,874 A 5/1979 Kaestner
 D262,991 S * 2/1982 Owen D23/318
 RE37,745 E * 6/2002 Brandt F24H 1/205
 122/14.2
 7,432,477 B2 10/2008 Teti
 D606,628 S 12/2009 Jeong et al.
 7,647,895 B2 * 1/2010 Donnelly F22D 1/12
 122/14.21
 D629,871 S * 12/2010 Marinoni D23/249



all other broken lines depict unclaimed environmental subject matter and form no part of the claim.

1 Claim, 6 Drawing Sheets

| | | | |
|--------------|-----|---------|-----------------------------|
| 2012/0305661 | A1 | 12/2012 | Malchiondo et al. |
| 2013/0200168 | A1 | 8/2013 | Buescher et al. |
| 2013/0267253 | A1 | 10/2013 | Case et al. |
| 2014/0100699 | A1 | 4/2014 | Guidotti et al. |
| 2014/0172571 | A1 | 6/2014 | Fabrikant et al. |
| 2014/0180576 | A1 | 6/2014 | LaMarca et al. |
| 2016/0290636 | A1* | 10/2016 | Santinavat F23D 14/82 |

(56)

References Cited

U.S. PATENT DOCUMENTS

| | | | | |
|--------------|-----|---------|---------------------|-------------------------|
| D686,297 | S | 7/2013 | Laugen et al. | |
| 8,544,423 | B2 | 10/2013 | Vogel et al. | |
| 8,550,369 | B2 | 10/2013 | Subramanian | |
| D697,585 | S * | 1/2014 | Liu | D23/233 |
| D755,927 | S | 5/2016 | Holmberg et al. | |
| D804,623 | S * | 12/2017 | Yamaguchi | D23/318 |
| 10,078,341 | B2 | 9/2018 | Blum | |
| 2007/0271034 | A1 | 11/2007 | Perry | |
| 2007/0295286 | A1* | 12/2007 | Donnelly | F24H 9/0042 122/14.1 |
| 2010/0212602 | A1* | 8/2010 | Haddad | F23N 1/007 122/13.01 |
| 2010/0289643 | A1 | 11/2010 | Trundle et al. | |
| 2011/0202185 | A1 | 8/2011 | Imes et al. | |
| 2011/0218650 | A1 | 9/2011 | Crucs | |
| 2011/0231020 | A1 | 9/2011 | Ramachandran et al. | |
| 2011/0238222 | A1 | 9/2011 | Nikovski et al. | |
| 2011/0277706 | A1* | 11/2011 | Arnold | F24H 1/205 122/14.1 |
| 2012/0046859 | A1 | 2/2012 | Imes et al. | |
| 2012/0179547 | A1 | 7/2012 | Besore et al. | |

OTHER PUBLICATIONS

Bradford White Gas Valve; prior to Mar. 2, 2018; 1pg.; https://www.google.com/search?q=hot+water+heater+controls&hl=en&biw=1536&bih=813&source=Int&tbs=cdr%3A1%2Ccd_min%3A%2Ccd_max%3A%2F%2F2018&tbm=isch#imgdii=-oxfiOQNh2DHAM:&imgrc=dHI9djc4w6cOM:&spf=1558039870440.*

Honeywell gas control valve, prior to Mar. 2, 2018; 1pg.; https://www.google.com/search?q=honeywell+hot+water+heater+controller&hl=en&biw=1536&bih=813&source=Int&tbs=cdr%3A1%2Ccd_min%3A%2Ccd_max%3A%2F%2F2018&tbm=isch#imgrc=5xXmoeWs8gUXHM:&spf=1559569357574.*

“WT8840 Trade Water Heater Controls,” Honeywell, 8 pages, 2016.

“Intelli-Vent Control Information; When Used On Gas, Residential, Power Vented Water Heaters,” 48 pages, 2005.

“Water Heater Control; Google Search,” 22 pages, May 23, 2017.

“WT8840 Water Heater Control,” Honeywell, 2 pages, Jul. 2016.

“Direct Air Convection Built-In Electric Wall Oven,” GE Appliances, 20 pages, downloaded May 23, 2017.

U.S. Appl. No. 29/639,060, filed Mar. 2, 2018, naming inventors Moy et al.

* cited by examiner

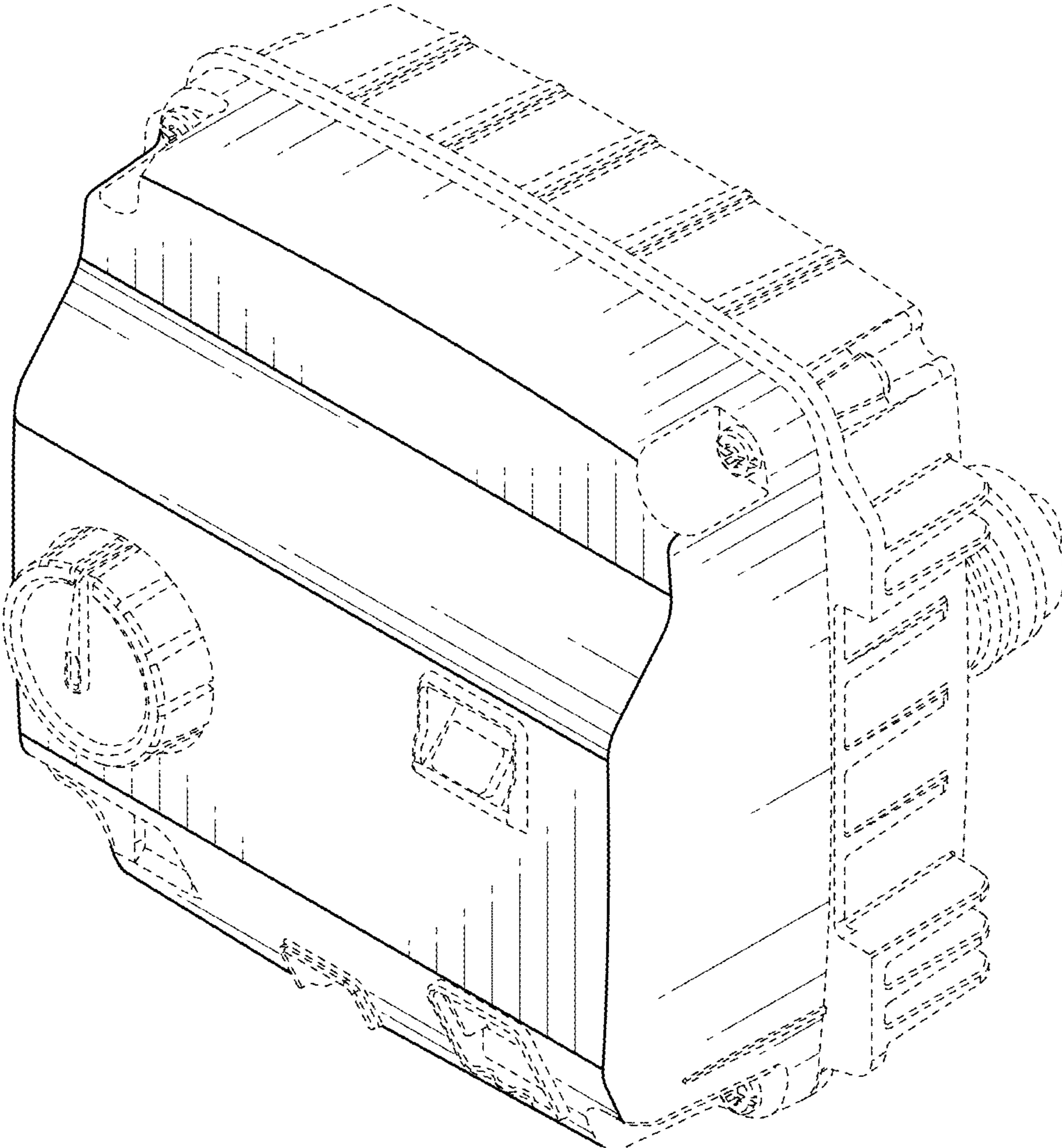


FIG. 1

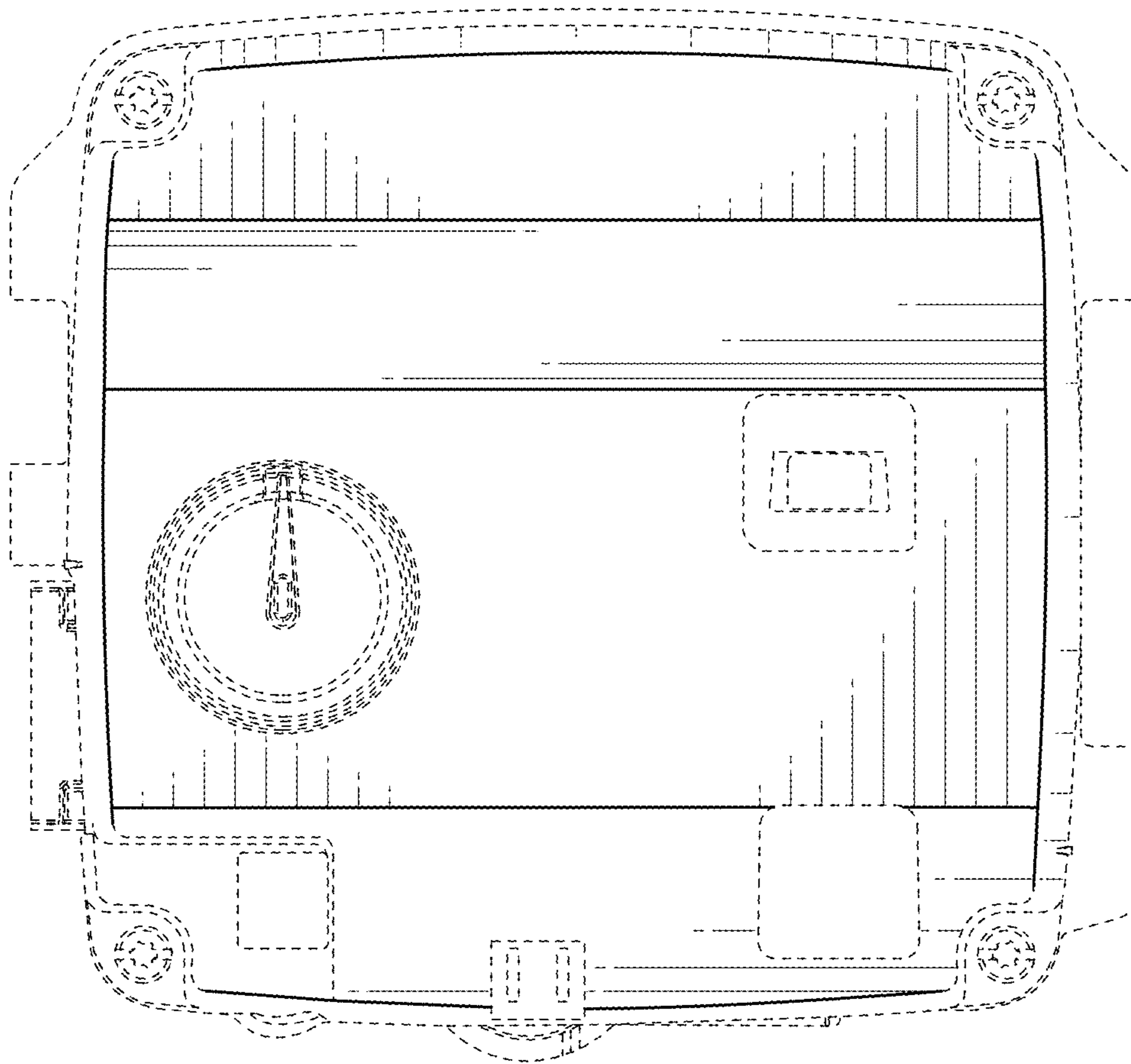


FIG. 2

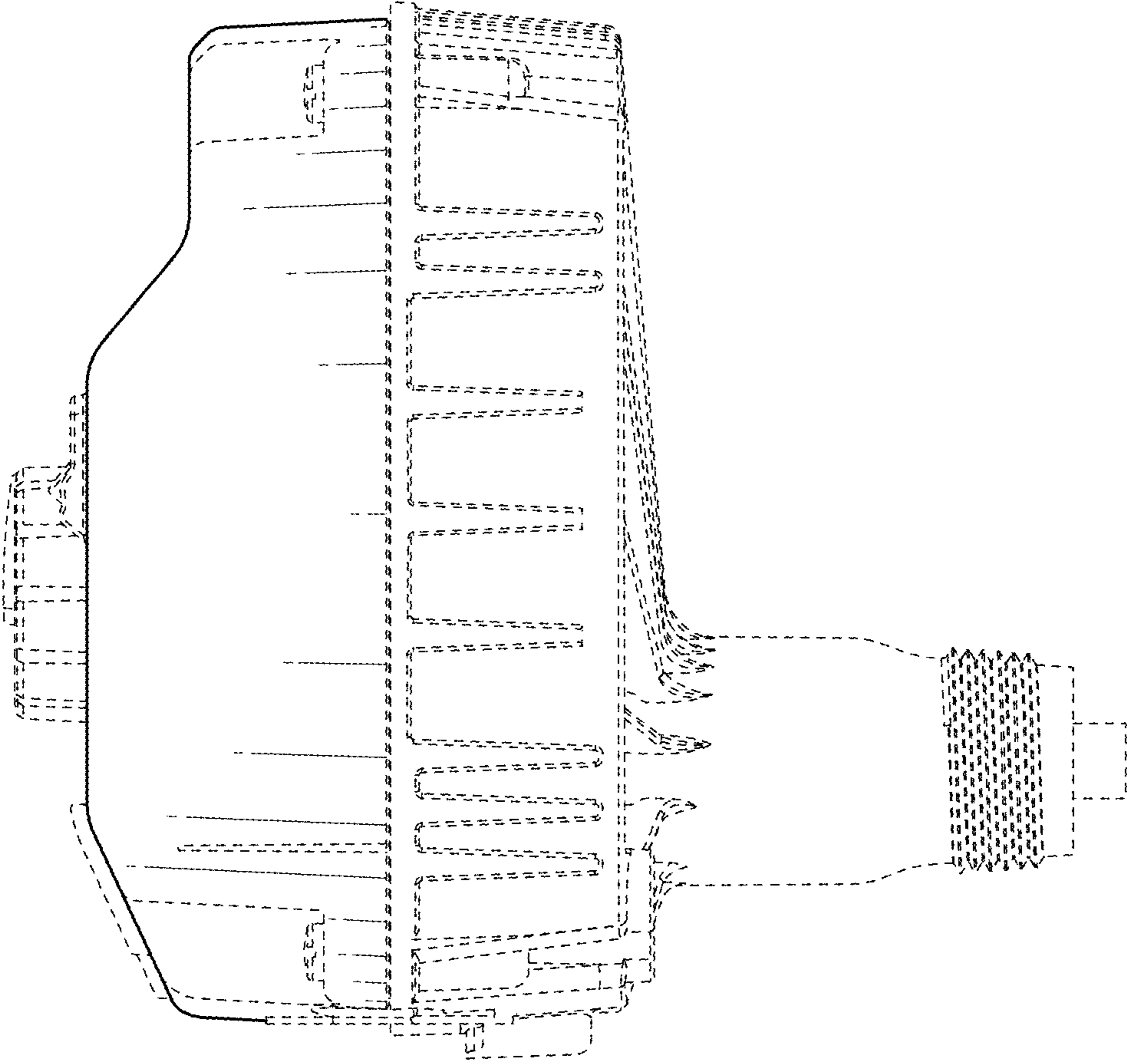


FIG. 3

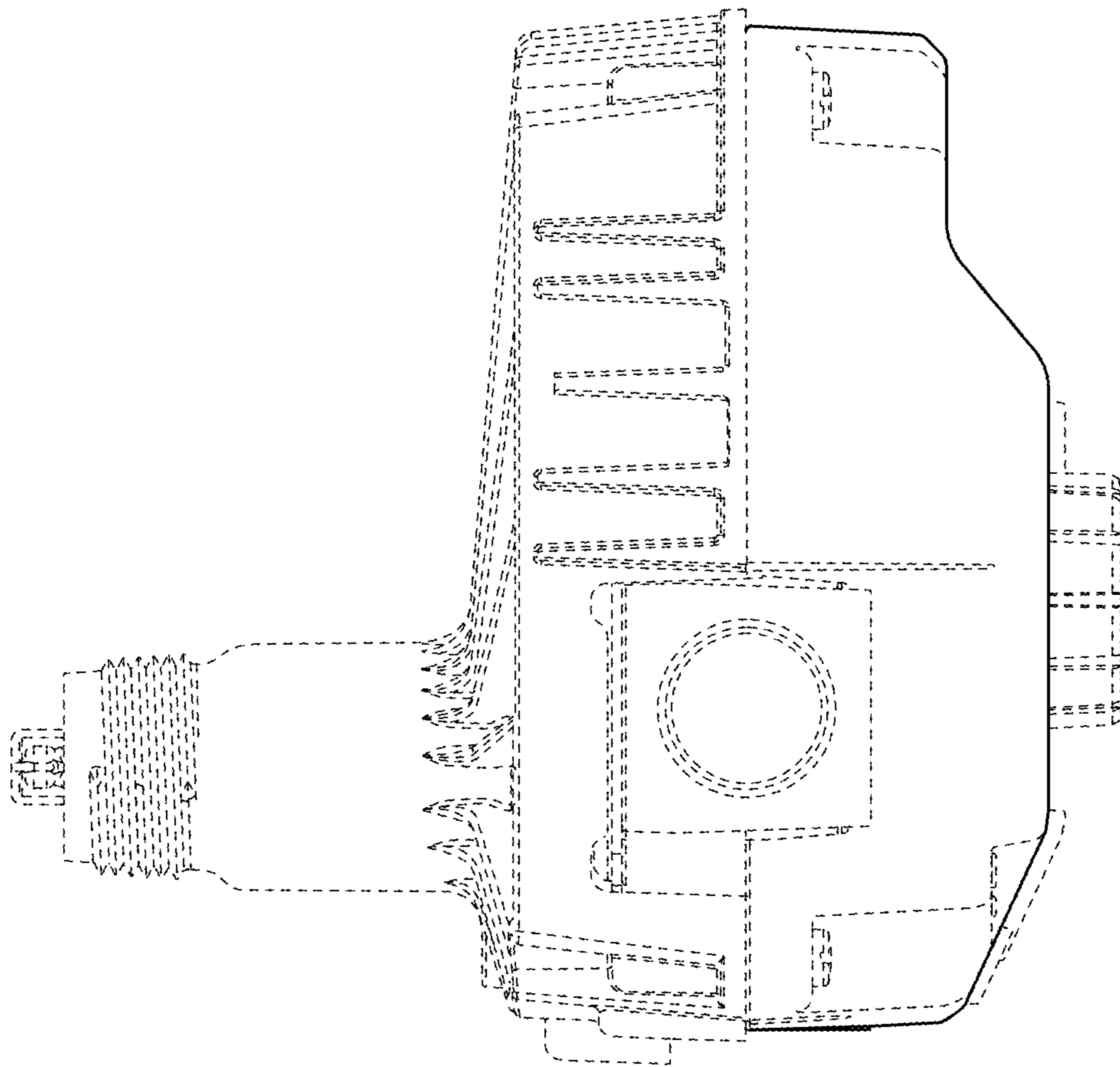


FIG. 4

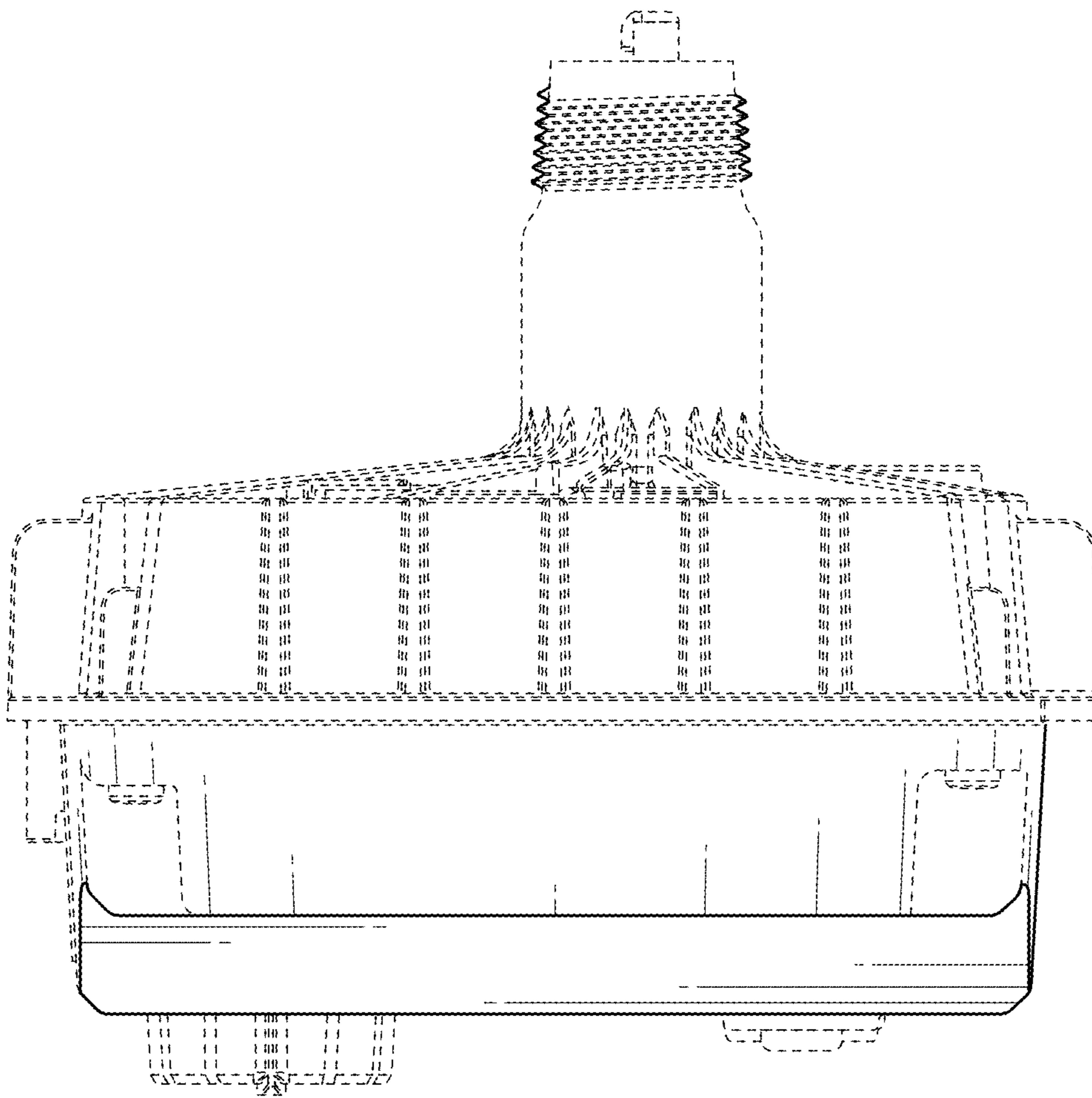


FIG. 5

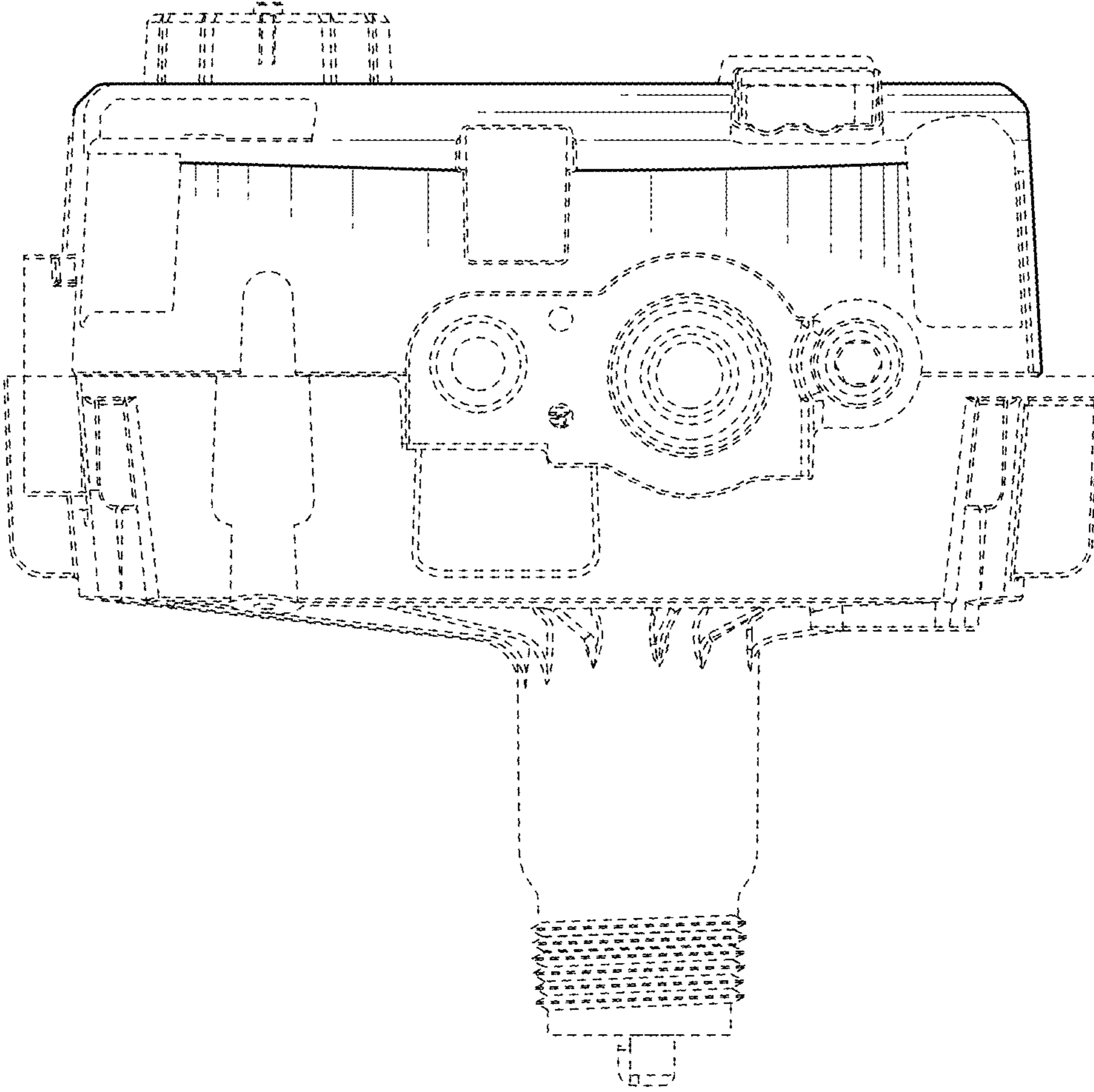


FIG. 6